



Technical specification:

Rated voltage: 300 V

IEC 60664-1

Overvoltage category: 2

IEC 60664-1

Overvoltage: 2,7 kV

IEC 60664-1

Current rating: 12 A

IEC 60512-3 at 40°C

Insulation resistance: >=100 MΩ

IEC 60512

Pollution degree: 3/2

IEC 60664-1

Degree of protection: IP 67, in mated condition

IEC 60529

Temperature range: -30°C ... +85°C

IEC 60664-1

Mating cycles: >=100

IEC 60512-9a

Materials:

Contact: CuZn

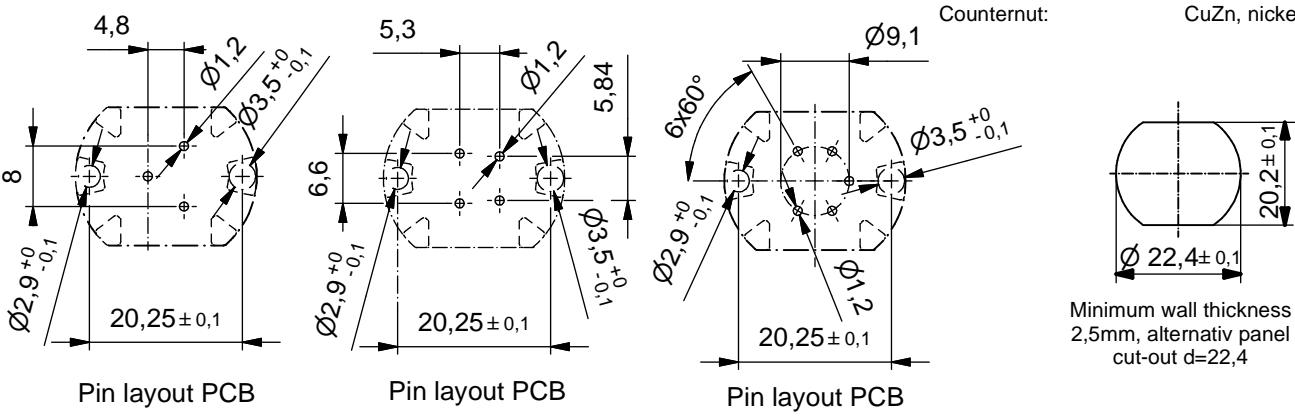
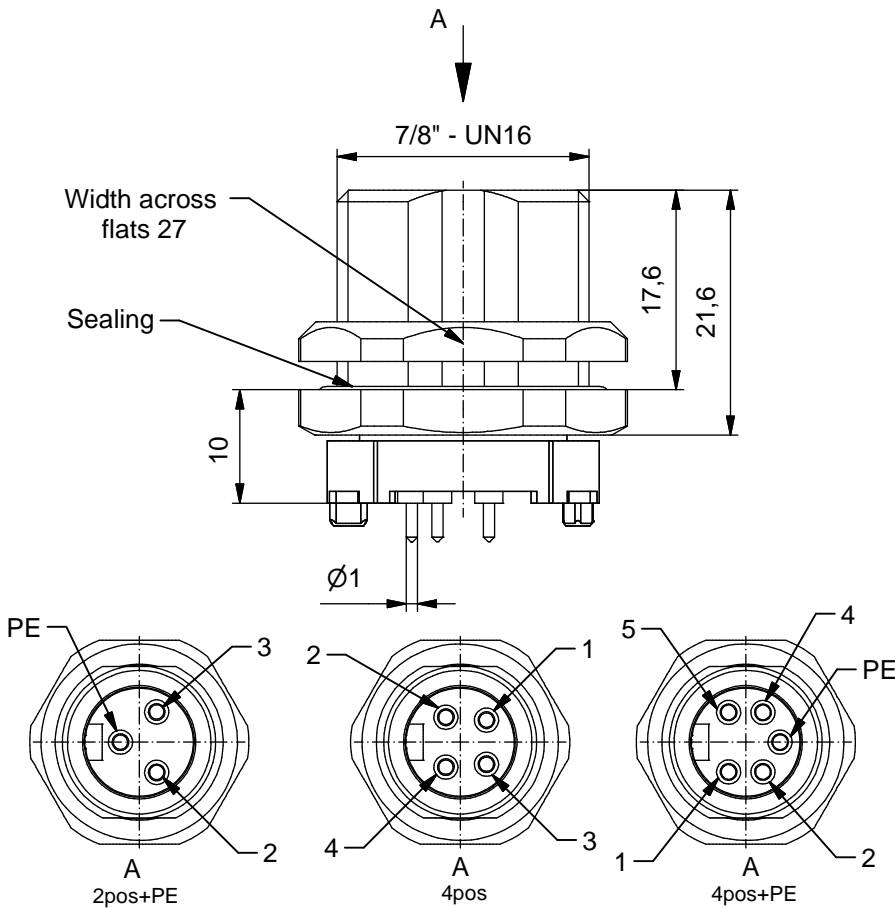
Contact plating: Nickel, gold plated

Contact carrier: TPU, UL 94

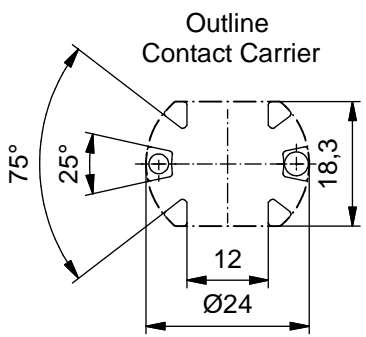
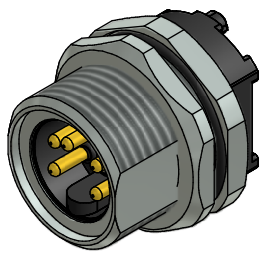
Sealing: FPM

Socket housing: CuZn, nickel plated

Counternut: CuZn, nickel plated



Minimum wall thickness 2,5mm, alternativ panel cut-out d=22,4



Part no:	Description:	Pos
41-40048	SAL - 7/8 - FSH2PE - X10	3
41-40049	SAL - 7/8 - FSH4 - X10	4
41-40050	SAL - 7/8 - FSH4PE - X10	5

DO NOT ALTER CAD DRAWING BY HAND
Directive 2002/95/EC RoHS compliant

Index: c 10.02.11 fro Ä3906
 Technical specification changed, data sheet revised

THIS DRAWING MAY NOT BE COPIED OR REPRODUCED IN ANY WAY, AND MAY NOT BE PASSED ON TO A THIRD PARTY WITHOUT WRITTEN PERMISSION.
 OWNERSHIP AND COPYRIGHT OF CONEC GmbH

dim. in mm

	date	name
drawn	19.01.09	Fromm
appd.	19.01.09	W.Schmidt

CONEC®

title: Male socket 7/8" with dip solder, backmounting

dwg no: 41K1A391

part no:

