

New Jersey Semi-Conductor Products, Inc.

20 STERN AVE.
 SPRINGFIELD, NEW JERSEY 07081
 U.S.A.

TELEPHONE: (973) 376-2...
 (212) 227-60...
 FAX: (973) 376-89...

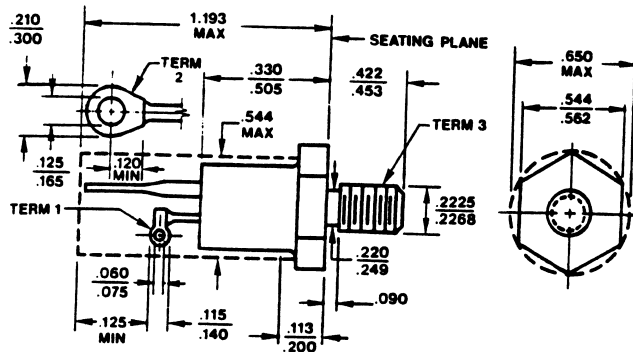
PARAMETERS

2N3653

SCR, V(DRM) = 400 V TO 499.9 V

Description: SCR, V(DRM) = 400 V to 499.9 V

Mil/High-Rel? (Y/N).....	
V(drm) Max.....	400
It(stat) Max. (A).....	16
@Temp. (test) (°C).....	70#
Supp Curr. I(TSM).....	180
Firing Char-Igt Max.....	500
Firing Char-Vgt Max.....	4.
Id(off) Max. (A).....	4.0m
@Temp. (test) (°C).....	120#
I(h) Max. (A).....	350
V(T) Max.....	2.0
@It (A).....	25
Dv/Dt Worst Case.....	200
t(switch) Off Typ. Time (s)...	
@It (test) (A).....	
t(switch) Off Typ. Time (s)...	15u
Oper. Temp (°C) Min.....	-60
Oper. Temp (°C) Max.....	125#
Pkg Style.....	TO-48
Surface Mounted (Y/N).....	N



dim. in in.



Quality Semi-Conductors