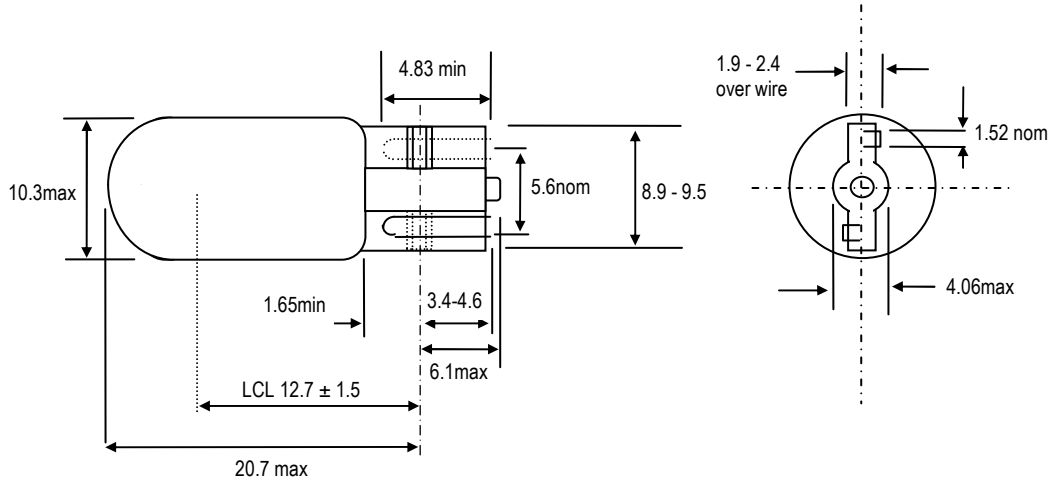


Description : **T-3¼(10mm) Wedge base lamp 12V 6W**

**Dimensional Characteristics :**



**Glass components are lead-free**

Bead colour: Clear  
 Filament construction: C-2R  
 Gas fill : Xenon  
 All dimensions in mm

**Marking**

**CML xy  
 12V 6WX**

(where xy is a manufacturing date code)

**Performance Characteristics @ 13.5 volts**

	Nominal	Minimum	Maximum
Current(mA)	444	400	488
Light output(Lm)	85	68	102
Life(hrs)	1,000		