

Specification

PL40P

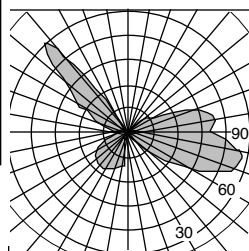
All exposed cast aluminum components are made of non corrosive pure aluminum copper free (Aluminum is less than .1% copper content.#356 alloy.)

Finish: All polyester powder baked coatings preceded with a 5 baths preparation process. Meets military grade MIL-C781706 with a 2000 hours salt spray test.

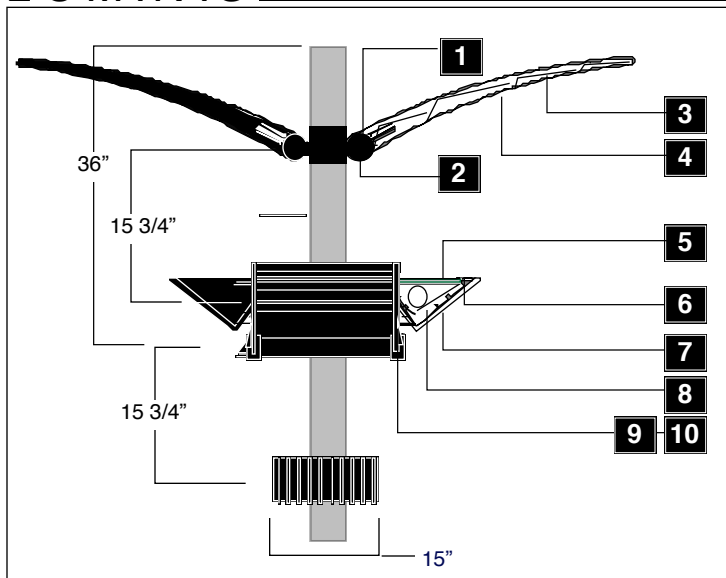
- Multi faceted twin reflector assembly can tilt and slide along pole side, to maximize desired performance on field. A locking cast aluminum assembly is provided to secure adjusted position of reflectors.
- Multi faceted reflector panels are painted with a textured white coating applied on both faces. The white enamel textured finish over the reflective surface insures optimal lighting performance and brightness control.
- Pulse rated porcelain socket.
- One-piece molded silicone gasket with memory retention.
- High power factor CWA ballast.
- All stainless steel hardware.
- All Moving and removable parts are sealed with a memory retention silicone gasket.

- 1 - Aluminum reflector sliding assembly.
- 2 - Cast aluminum tilting and locking assembly.
- 3 - Multi facet textured white aluminum reflector panels assembly.
- 4 - Cast aluminum curved reflector joiner arms.
- 5 - Tempered clear glass lens.
- 6 - Cast aluminum sealed removable glass frame, with perimeter memory retention embedded silicone gasket.
- 7 - Cast aluminum luminaire housing with heat dissipation fins.
- 8 - Specular aluminum reflector.
- 9 - Isolated and sealed aluminum ballast housing.
- 10 - 11 ga. galvanized pressure mounting plate.

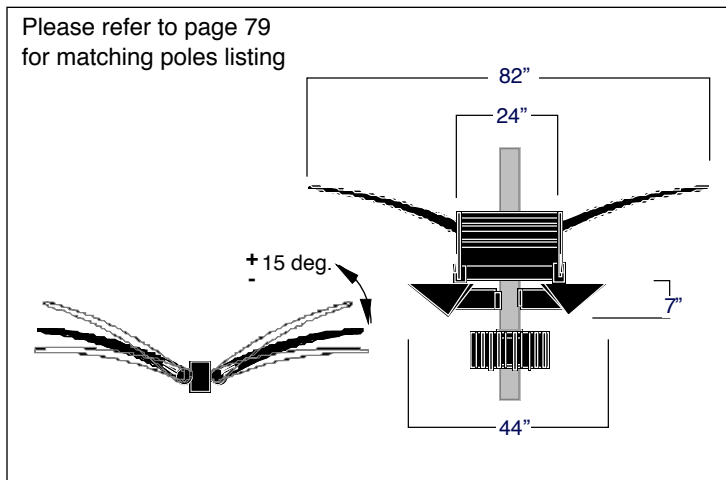
Photometry



Separate updated technical specification sheets with related models and light sources with I.E.S formatted photometry are available on www.luminis.com.



Please refer to page 79 for matching poles listing




Certification

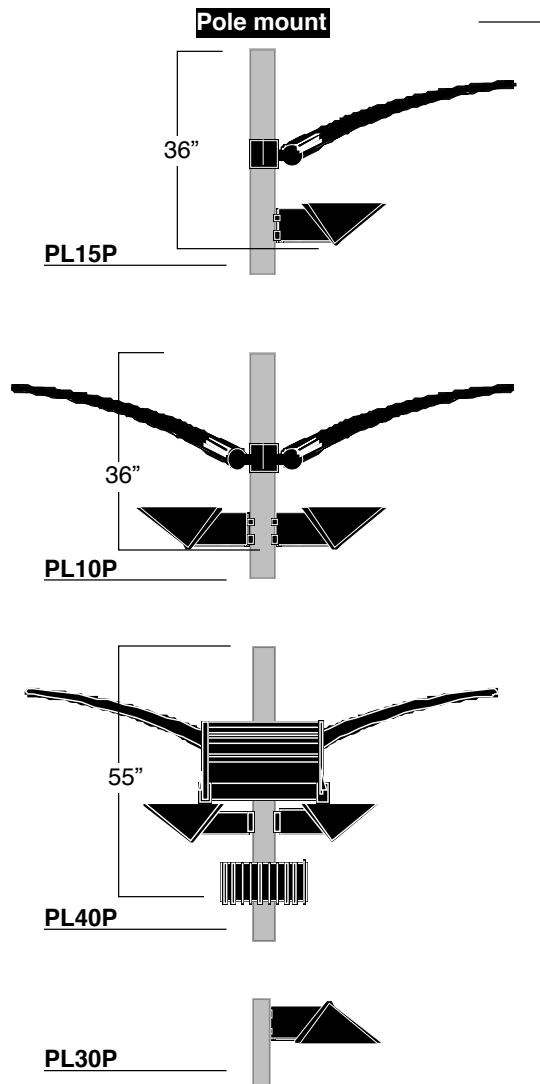
UL. Wet Location.

Mounting / EPA

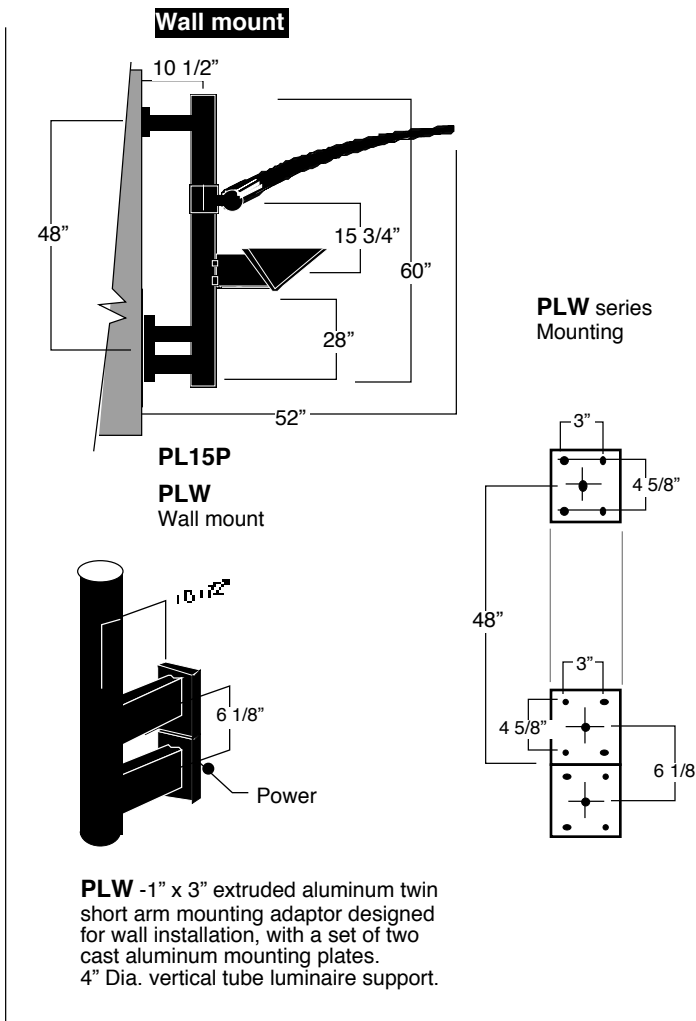
EPA:
Fits with a 4" or 5" dia. pole..

| Model# | Light source selection | Voltage | Finish | Options |
|--|---|---|--|--|
| <input type="checkbox"/> PL40P  | MH (ED17) <input type="checkbox"/> M70 <input type="checkbox"/> M100 <input type="checkbox"/> M150 <input type="checkbox"/> M175 <input type="checkbox"/> * M250 (ED18) Mog. base | 120 V Standard factory prewired (If no voltage is specified) For other voltages, please specify with catalog number. | (Refer to color chart) Standard selection <input type="checkbox"/> WHT: Snow white <input type="checkbox"/> BKT: Jet black <input type="checkbox"/> BZT: Bronze <input type="checkbox"/> GRT: Titanium gray <input type="checkbox"/> DGT: Gun metal <input type="checkbox"/> CHT: Champagne <input type="checkbox"/> MST: Matte silver <input type="checkbox"/> GNT: Forest green Optional colors <input type="checkbox"/> CS: Custom color <input type="checkbox"/> RAL: RAL# color | Electrical <input type="checkbox"/> FS: Fuse <input type="checkbox"/> PH1: 120/277V photo cell <input type="checkbox"/> PH2: 347V photo cell <input type="checkbox"/> QS: Quartz lamp socket for external emergency power. <input type="checkbox"/> QRS: Quartz restrike standby relay. |
| | HPS (ED17) <input type="checkbox"/> H70 <input type="checkbox"/> H100 <input type="checkbox"/> H150 <input type="checkbox"/> * H250 (ED18) Mog. base | H.I.D. <input type="checkbox"/> 208 V <input type="checkbox"/> 240 V <input type="checkbox"/> 277 V <input type="checkbox"/> 347 V <input type="checkbox"/> 480 V * Lamp operation requires M250 ANSI code M58 H250 ANSI code S50 | | |

Luminaires may be altered for improvements or discontinued without prior notice.



Pole mounting: Please refer to poles specification page 147 for detailed pole and luminaire compatibility.



PLW -1" x 3" extruded aluminum twin short arm mounting adaptor designed for wall installation, with a set of two cast aluminum mounting plates. 4" Dia. vertical tube luminaire support.

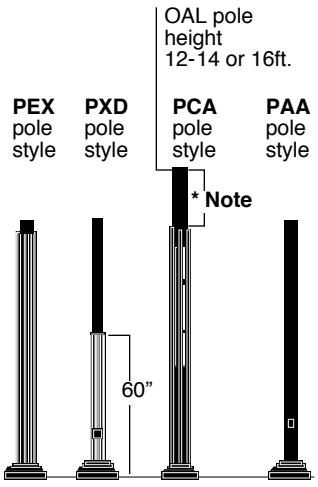
Compatible poles listing.

Post top mounting

| Mounting style | 4" O.D. | 5" O.D. | 4" O.D. | 4" O.D. | 4" O.D. | Pole height |
|----------------|------------|------------|-----------|------------|-----------|-------------|
| PL15P | PAA414-PL1 | PAA514-PL1 | PCA14-PL1 | PEX14-PL1 | PXD14-PL1 | 14 ft |
| | PAA416-PL1 | PAA516-PL1 | PCA16-PL1 | PEX16-PL1 | PXD16-PL1 | 16 ft |
| | PAA418-PL1 | PAA518-PL1 | PCA18-PL1 | PEX18-PL1 | PXD18-PL1 | 18 ft |
| | PAA420-PL1 | PAA520-PL1 | PCA20-PL1 | PEX420-PL1 | PXD20-PL1 | 20 ft |
| PL10P | PAA414-PL2 | PAA514-PL2 | PCA14-PL2 | PEX414-PL2 | PXD14-PL2 | 14 ft |
| | PAA416-PL2 | PAA516-PL2 | PCA16-PL2 | PEX416-PL2 | PXD16-PL2 | 16 ft |
| | PAA418-PL2 | PAA518-PL2 | PCA18-PL2 | PEX418-PL2 | PXD18-PL2 | 18 ft |
| | PAA420-PL2 | PAA520-PL2 | PCA20-PL2 | PEX420-PL2 | PXD20-PL2 | 20 ft |
| PL40P | PAA416-PL4 | PAA516-PL4 | PCA16-PL2 | PEX416-PL4 | | 16 ft |
| | PAA418-PL4 | PAA518-PL4 | PCA18-PL2 | PEX418-PL4 | | 18 ft |
| | PAA420-PL4 | PAA520-PL4 | PCA20-PL2 | PEX420-PL4 | | 20 ft |
| PL30P | PAA410-PL3 | PAA510-PL3 | PCA14-PL2 | | PXD10-PL3 | 10 ft |
| | PAA412-PL3 | PAA512-PL3 | PCA16-PL2 | | PXD12-PL3 | 12 ft |
| | PAA414-PL3 | PAA514-PL3 | PCA18-PL2 | | PXD14-PL3 | 14 ft |
| | PAA416-PL3 | PAA516-PL3 | PCA20-PL2 | | PXD16-PL3 | 16 ft |
| | PAA418-PL3 | PAA518-PL3 | | | PXD18-PL3 | 18 ft |
| | PAA420-PL3 | PAA520-PL3 | | | PXD20-PL3 | 20 ft |

For poles details and specification, please refer to pages 140 to 144

* Note:
 24" extension with PL30P attachment
 48" extension with PL15P/PL10P attachment
 66" extension with PL40P attachment



luminaires may be altered for design improvements or discontinued without prior notice.