

INTRODUCTION:

Adam Tech's Mini-Flex series of connectors include cable to board, wire to board and board to board choices. This series is designed with a dual contact point mating system and an array of locating posts and PCB pegs for positive alignment and friction lock mating. Rigid, staggered solder tails provide excellent stability for rugged use and feature kinked tails for PCB retention.

FEATURES:

Fine .050" Pitch for Hi-Density connection
Flat heavy gauge contact blades for positive connectivity
Equipped with Polarizing posts and locating pegs
Positive Friction Locking mating
Kinked solder tails for PCB retention

SPECIFICATIONS:

MATERIAL:

Insulator: Polyester, glass filled, rated UL94V-0
Insulator Color: Red
Contacts: Phosphor Bronze or Brass

PLATING:

Tin over Copper underplate overall

ELECTRICAL:

Operating Voltage: 250V AC
Current Rating: 1.2 Amps Max.
Contact Resistance: 10 mΩ Max.
Insulation Resistance: 1000 MΩ Min.
Dielectric Withstanding Voltage: 750V AC for 1 Minute

TEMPERATURE RATING:

Operation Temperature: -25°C ~ +105°C

PACKAGING:

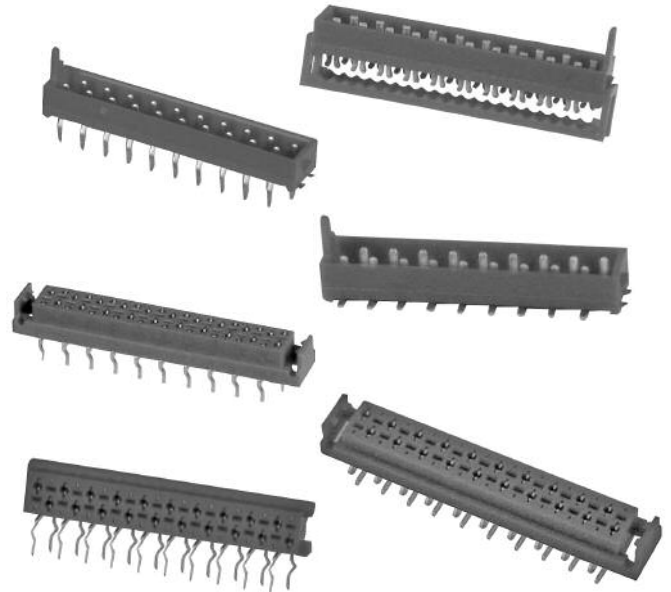
Anti ESD plastic trays or Tubes

SAFETY AGENCY APPROVALS:

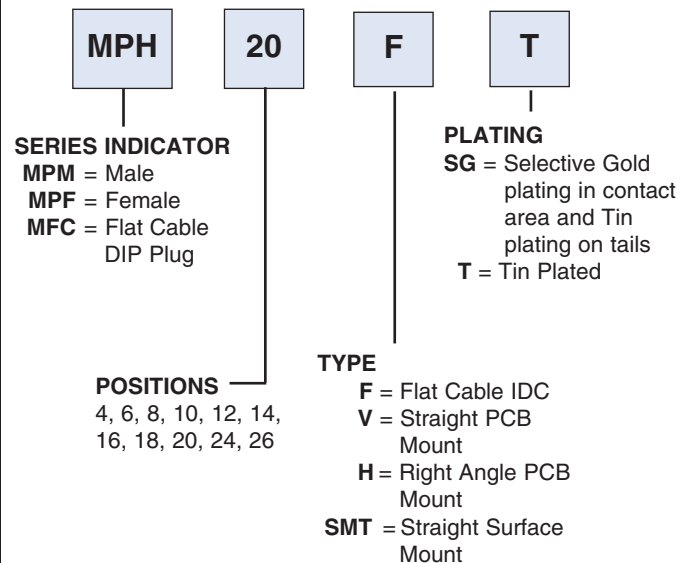
UL Recognized
CSA Certified

APPROVALS AND CERTIFICATIONS:

UL Recognized File No. E224053
CSA Certified File No. LR1578596



ORDERING INFORMATION



OPTIONS

15 = 15u" Gold on contact area
30 = 30u" Gold on contact area
L = Locking Flange

