

PLEASE CHECK WWW.MOLEX.COM FOR LATEST PART INFORMATION

Part Number: **0512332014**
Status: **Active**
Description: CRC™ Shielded Rectangular I/O Receptacle Housing for Male Terminal, Signal, 20 Circuits, Polarization Type C, Polarization Position C-3

Documents:

[Drawing \(PDF\)](#) [Product Specification PS-51238-018 \(PDF\)](#)
[Product Specification PS-51238-010 \(PDF\)](#) [RoHS Certificate of Compliance \(PDF\)](#)

Agency Certification

CSA	LR19980
TUV	R72081037
UL	E29179

General

Product Family	I/O Connectors
Series	51233
Application	Panel-Mount, Wire-to-Wire
Component Type	Housing
Product Name	CRC™
Type	N/A

Physical

Boot Color	N/A
Circuits (Loaded)	N/A
Circuits (maximum)	20
Color - Resin	Black
Durability (mating cycles max)	100
Flammability	94V-0
Gender	Receptacle
Keying to Mating Part	Yes
Lock to Mating Part	Yes
Material - Metal	Stainless Steel
Material - Plating Mating	n/a
Material - Resin	Polyester
Number of Rows	5
Orientation	Vertical
PCB Locator	No
Packaging Type	Tray
Panel Mount	Front, Rear
Pitch - Mating Interface (in)	0.118 In
Pitch - Mating Interface (mm)	3.00 mm
Pitch - Term. Interface (in)	0.118 In
Pitch - Term. Interface (mm)	3.00 mm
Polarized to Mating Part	Yes
Polarized to PCB	N/A
Ports	1
Surface Mount Compatible (SMC)	No
Temperature Range - Operating	-40°C to +105°C
Termination Interface: Style	N/A
Waterproof / Dustproof	No

Electrical

Current - Maximum per Contact	3.5A
Shielded	No
Voltage - Maximum	250V AC (RMS)/DC



image - Reference only

EU RoHS

ELV and RoHS Compliant
REACH SVHC Contains SVHC: No
Halogen-Free Status
Not Reviewed

China RoHS



Need more information on product environmental compliance?

Email productcompliance@molex.com
 For a multiple part number RoHS Certificate of Compliance, [click here](#)

Please visit the [Contact Us](#) section for any non-product compliance questions.

Search Parts in this Series

51233Series

Mates With

51239-200X plug housing|54332-200X plug assembly set

Use With

56116, 56117, 56118 and 56119 male terminal|56377-200* receptacle shell

Material Info

Reference - Drawing Numbers

Product Specification

Sales Drawing

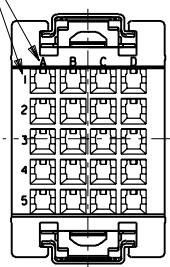
PS-51238-010, PS-51238-018, RPS-51238-001

SD-51233-008

This document was generated on 04/12/2010

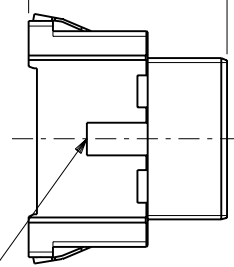
PLEASE CHECK WWW.MOLEX.COM FOR LATEST PART INFORMATION

回路番号表示
CKT.No.IDENTIFICATION



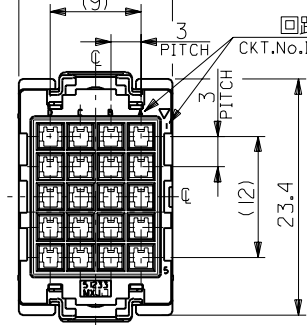
電線挿入側
WIRE SIDE

19.7



シエル挿入方向キー
POLARIZATIONS KEY FOR SHELL

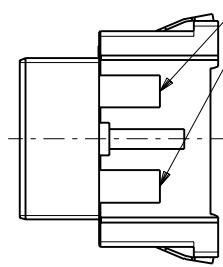
15.2
(9)



嵌合側
MATING SIDE

回路番号表示
CKT.No.IDENTIFICATION

シエル挿入方向キー
POLARIZATIONS KEY FOR SHELL



注記
NOTES

- 材質 MATERIAL
①ハウジング：ガラス入りPBT樹脂
HOUSING : PBT G.F.
UL94V-0 色：黒
UL94V-0 COLOR : BLACK
②スプリング：ステンレス鋼 t0.3
SPRING : STAINLESS STEEL t0.3
- 適用端子：56116-8*90 , 56117-8*90
56118-8*90 , 56119-8*90
APPLICABLE CRIMP PIN : 56116-8*90 , 56117-8*90
56118-8*90 , 56119-8*90
- 適用リセプタクル シェル：56377-20**
APPLICABLE RECEPTACLE SHELL : 56377-20**
- 嵌合相手：51239-200*
MEET WITH : 51239-200*

<誤嵌合防止キー(極性)タイプ> <POLARITY KEY TYPE>

51233-2011	51233-2012	51233-2013	51233-2014	51233-2015
STANDARD TYPE	A TYPE	B TYPE	C TYPE	D TYPE

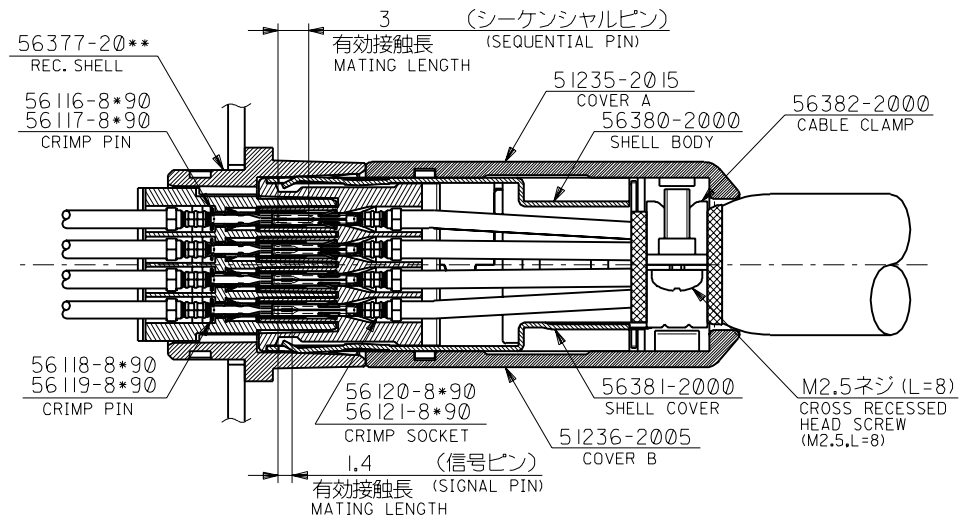
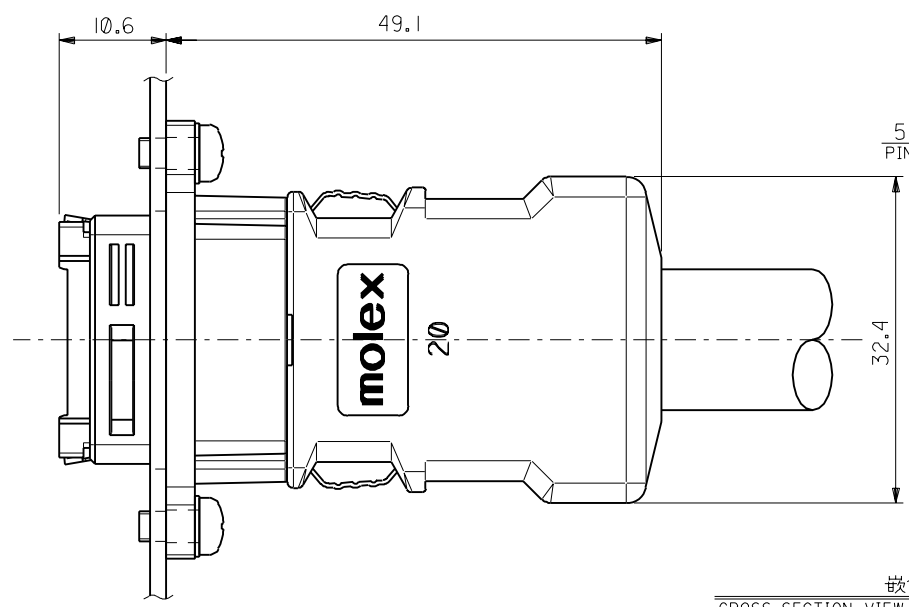
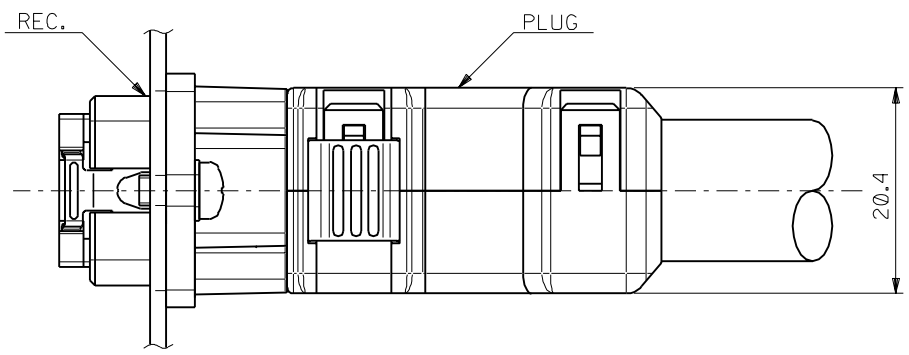
C-4	D	51233-2015	51233-***1*	20
C-3	C	51233-2014		
B-3	B	51233-2013		
B-2	A	51233-2012		
—	STANDARD	51233-2011		
POLARITY POSITION (CIRCUIT No.)	POLARITY TYPE	MATERIAL No.	MODEL No.	CIRCUIT

DO NOT SCALE DRAWING

EC NO. DRWN: CHK: APPR:	EC NO. DRWN: CHK: APPR:	EC NO. DRWN: CHK: APPR:	REVISED 01/10/04	MATERIAL 材料	GENERAL TOLERANCES: (UNLESS SPECIFIED) 一般公差	SCALE 2-1	DESIGN UNITS mm INCH	THIRD ANGLE PROJECTION	DIMENSIONS: mm INCH mm INCH	SHT REVISE ON CAD ONLY	REV
			EC NO. J2002-0786 DRWN: S.AKIYAMA CHK: J.MIYAZAWA APPR: Y.O.ITO								
A	0		RELEASED 01/02/16	FINISH 仕上げ	10 OVER 30 UNDER 未滿	±0.2	mm INCH	mm ONLY	mm ONLY		
			EC NO. JD2001-1040 DRWN: S.AKIYAMA CHK: J.MIYAZAWA APPR: H.IKESUGI								
				WIRE RANGE 適用電線範囲	30 OVER 以上	±0.3	mm ONLY	mm ONLY	mm ONLY		
				INS. RANGE 被覆外径	—	±3°	CAD FILE NAME 51233008.S01				

THIS DRAWING CONTAINS INFORMATION THAT IS PROPRIETARY TO MOLEX INCORPORATED AND SHOULD NOT BE USED WITHOUT WRITTEN PERMISSION.

DWG. NO. SD-51233-008



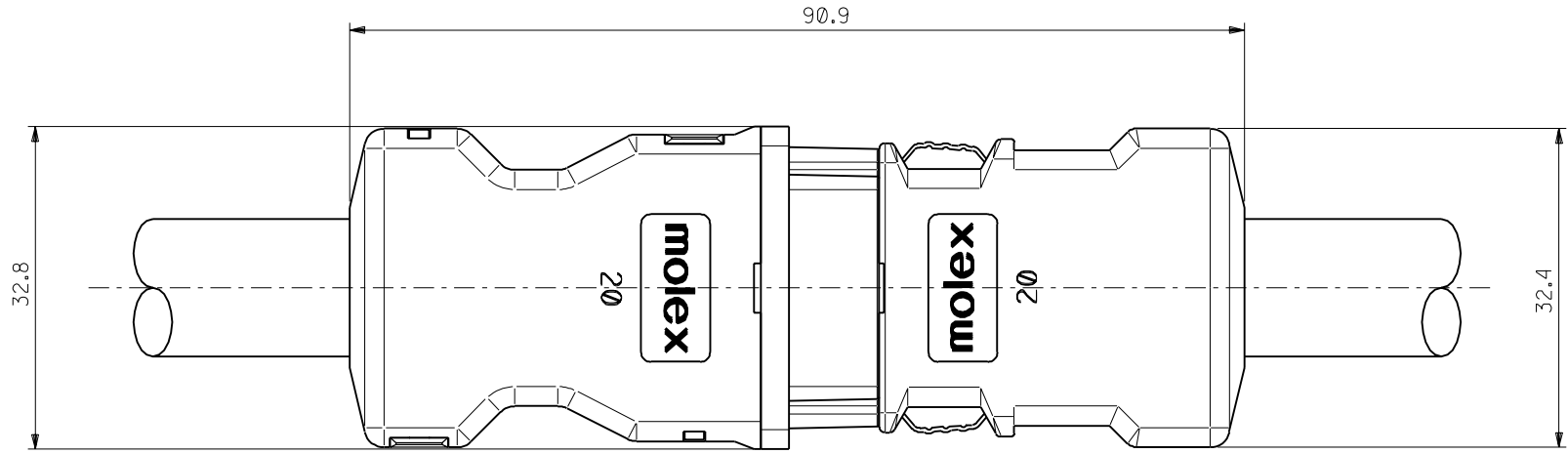
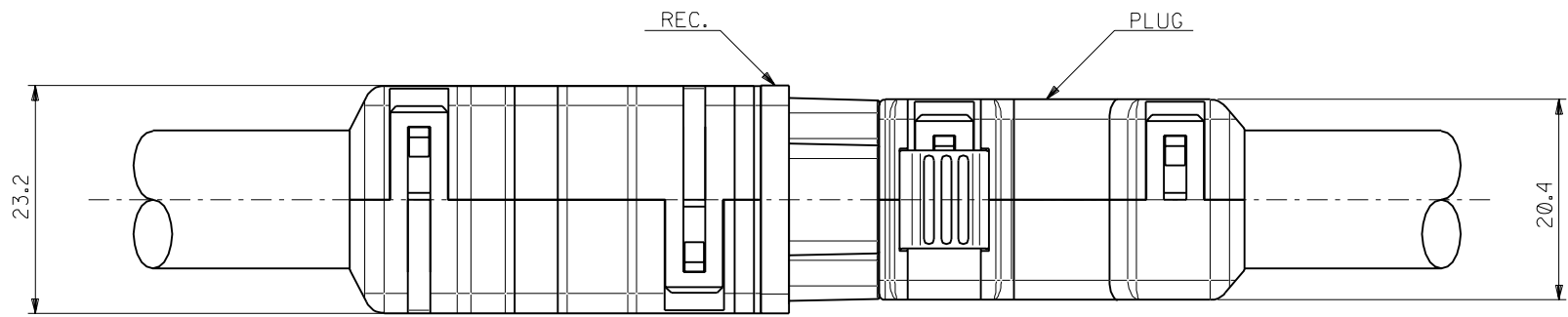
嵌合図

CROSS-SECTION VIEW OF MATED CONNECTOR

DO NOT SCALE DRAWING

EC NO. DRWN: CHK: APPR:	EC NO. DRWN: CHK: APPR:	EC NO. DRWN: CHK: APPR:	REVISED 01/10/04	MATERIAL 材料	GENERAL TOLERANCES: (UNLESS SPECIFIED) 一般公差	SCALE 2-1	DESIGN UNITS mm □ mm □ INCH	THIRD ANGLE PROJECTION	DIMENSIONS: mm □ mm □ INCH □ mm ONLY	SHT REVISE ON CAD ONLY	REV
			EC NO. J2002-0786 DRWN: S.AKIYAMA CHK: J.MIYAZAWA APPR: YO.ITO								
A	0	0	RELEASED 01/02/16	FINISH 仕上げ	10 OVER 30 UNDER 未満	±0.25	CHECKED BY & DATE <i>J. Mizuno</i> / 3/06	APPROVED BY & DATE <i>Sh. Hasegawa</i>	MATERIAL NO. SEE CHART	DRAWING NO. SD-51233-008	SHEET NO. 2 OF 4
			EC NO. JD2001-1040 DRWN: S.AKIYAMA CHK: J.MIYAZAWA APPR: H.IKESUGI								
				INS. RANGE 被覆外径	ANGLE 角度	±3°	CAD FILE NAME 51233008.S02	MATERIAL NO. SEE CHART	DRAWING NO. SD-51233-008	SHEET NO. 2 OF 4	SIZE B

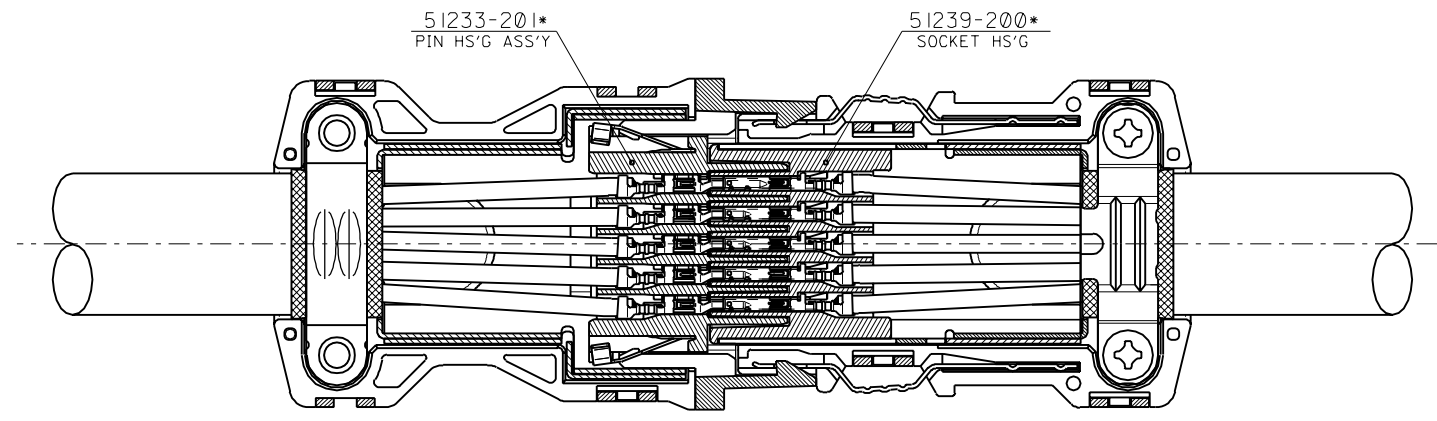
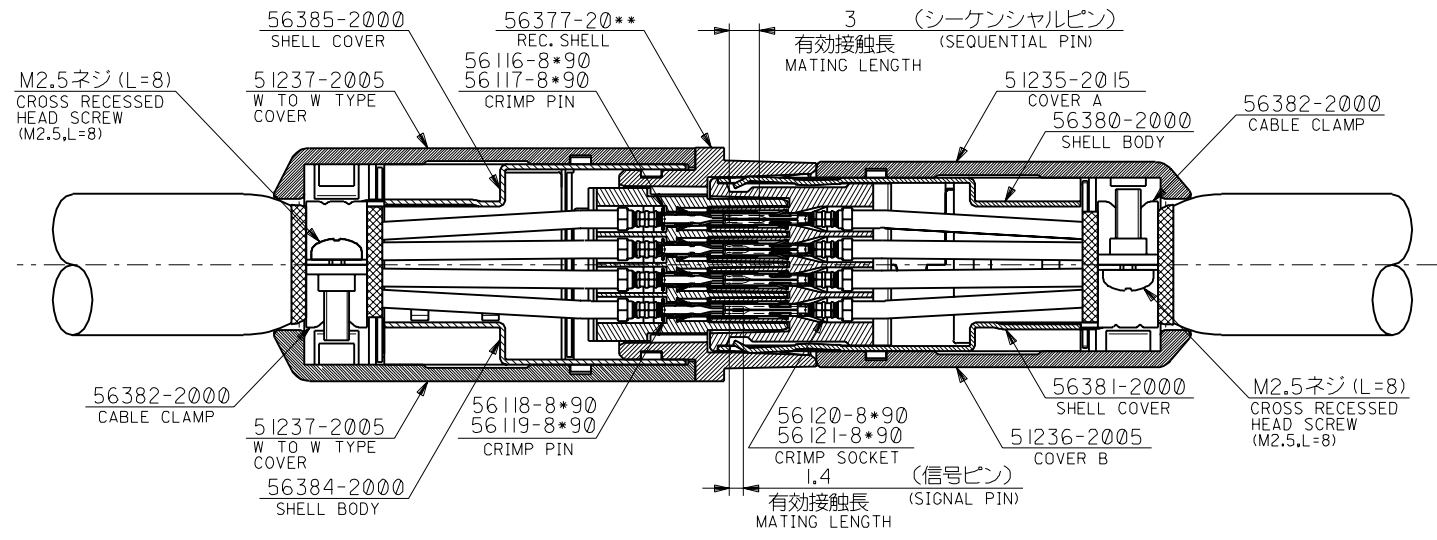
THIS DRAWING CONTAINS INFORMATION THAT IS PROPRIETARY TO MOLEX INCORPORATED AND SHOULD NOT BE USED WITHOUT WRITTEN PERMISSION.



嵌合図 (中継タイプ)
CROSS-SECTION VIEW OF MATED CONNECTOR
(WIRE TO WIRE TYPE)

EC NO. DRWN: CHK: APPR:	EC NO. DRWN: CHK: APPR:	EC NO. DRWN: CHK: APPR:	REVISED 01/10/04	MATERIAL 材料	GENERAL TOLERANCES: (UNLESS SPECIFIED) 一般公差	SCALE	DESIGN UNITS	THIRD ANGLE PROJECTION	DIMENSIONS: <input type="checkbox"/> mm <input type="checkbox"/> INCH	<input checked="" type="checkbox"/> mm ONLY	SHT	REV
			EC NO. J2002-0786			10 UNDER 未満	2-1					
A	0	A	DRWN: S.AKIYAMA	FINISH 仕上げ	#	10 OVER 以上	30 UNDER 未満	TITLE:	COMPACT ROBOT CONN. (CRC) REC. PIN HS'G ASS'Y			
			CHK: S.AKIYAMA			30 OVER 以上	±0.25					
A	0	A	DRWN: J.MIYAZAWA	WIRE RANGE 適用電線範囲	#	ANGLE 角度	±3°	MATERIAL NO. SEE CHART	DRAWING NO. SD-51233-008	SHEET NO. 3 OF 4	SIZE B	
			CHK: J.MIYAZAWA			INS. RANGE 被覆外径	#					
			APPR: YO.ITO	注記参照 SEE NOTES		CAD FILENAME 51233008.S03		THIS DRAWING CONTAINS INFORMATION THAT IS PROPRIETARY TO MOLEX INCORPORATED AND SHOULD NOT BE USED WITHOUT WRITTEN PERMISSION.		EN-02J(097) MXJ-54		

DWG. NO.
SD-51233-008



嵌合図 (中継タイプ)
CROSS-SECTION VIEW OF MATED CONNECTOR
(WIRE TO WIRE TYPE)

DO NOT SCALE DRAWING

EC NO. DRWN: CHK: APPR:	EC NO. DRWN: CHK: APPR:	EC NO. DRWN: CHK: APPR:	REVISED 01/10/04	MATERIAL 材料	GENERAL TOLERANCES: (UNLESS SPECIFIED) 一般公差	SCALE 2-1	DESIGN UNITS mm □ mm □ INCH	THIRD ANGLE PROJECTION	DIMENSIONS: □ mm □ INCH ☒ mm □ mm ONLY	SHT	REV
			EC NO. J2002-0786 DRWN: S.AKIYAMA CHK: J.MIYAZAWA APPR: Y.O.IITO								
A	0	0	RELEASED 01/02/16	FINISH 仕上げ	10 OVER 以上	30 UNDER 未満	±0.25	APPROVED BY & DATE <i>J. Miyazawa</i> / 01/25	MATERIAL NO. SEE CHART	DRAWING NO. SD-51233-008	SHEET NO. 4 OF 4
			EC NO. JD2001-1040 DRWN: S.AKIYAMA CHK: J.MIYAZAWA APPR: H.IKESUGI								
				WIRE RANGE 適用線径範囲	—	ANGLE 角度	±3°	CAD FILE NAME 51233008.S04			
				INS. RANGE 被覆外径	—	THIS DRAWING CONTAINS INFORMATION THAT IS PROPRIETARY TO MOLEX INCORPORATED AND SHOULD NOT BE USED WITHOUT WRITTEN PERMISSION.					SIZE B