

40 PIN SMD ETHERNET 10-BASE T QUAD PORT TRANSFORMER

P/N: 40ST8050A DATA SHEET

Feature

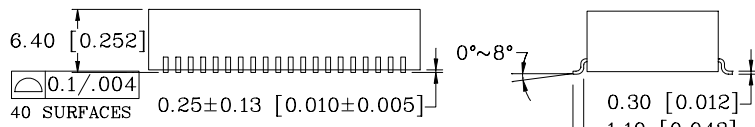
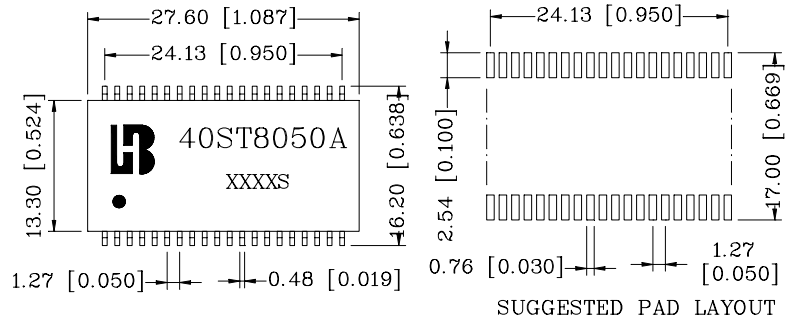
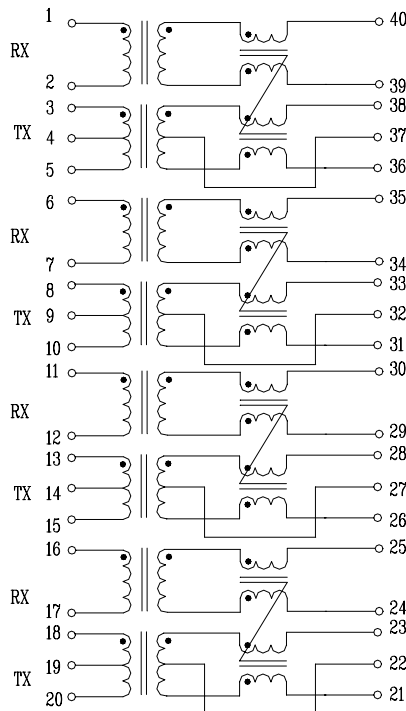


- Operating temperature range : 0°C to +70°C.
- Storage temperature range: -25°C to +125°C.

Electrical Specifications @ 25°C				
Part Number	Turns Ratio (±2%)		OCL(+H) @0.2V,100KHz TX&RX	L.L(+H Max) @1MHz TX&RX
	TX	RX		
40ST8050A	1CT:1CT	1:1	100	0.3
Continue				
Part Number	Cw/w (pF Max) TX&RX	DCR (Ω Max)Pri/Sec	HI-POT (Vrms)@60s	
40ST8050A	12	0.5/1.5	1500	

Schematic

Mechanical



Units: mm[Inches] Tolerance: xx.x0±0.25[0.010]
0.xx±0.05[0.002]