



TAI-SAW TECHNOLOGY CO., LTD.

No. 3, Industrial 2nd Rd., Ping-Chen Industrial District,
Taoyuan, 324, Taiwan, R.O.C.

TEL: 886-3-4690038 FAX: 886-3-4697532

E-mail: tstsales@mail.taisaw.com Web: www.taisaw.com

Approval Sheet For Product Specification

Issued Date: Apr, 18, 2007

Product Name: SAW Filter 1785 MHz SMD 3.0X3.0 mm

TST Parts No.: TA0667A

Customer Parts No.: _____

| |
|---------------------|
| Company: _____ |
| Division: _____ |
| Approved by : _____ |
| Date: _____ |

Checked by: _____ Bob Chau

Approval by: _____ Francis Chen

Date: _____ 4, 18, 2007



TAI-SAW TECHNOLOGY CO., LTD.

No. 3, Industrial 2nd Rd., Ping-Chen Industrial District,
Taoyuan, 324, Taiwan, R.O.C.

TEL: 886-3-4690038 FAX: 886-3-4697532

E-mail: tstsales@mail.taisaw.com Web: www.taisaw.com

SAW Filter 1785 MHz

MODEL NO.:TA0667A

REV. NO.:1

A. MAXIMUM RATING:

1. Input Power Level: 10 dBm
2. DC Voltage : 3V
3. Operating Temperature: -30°C to +85°C
4. Storage Temperature: -40°C to +85°C

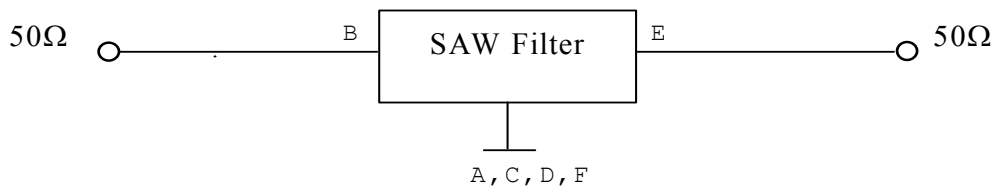
RoHS Compliant
Lead free
Lead-free soldering

B. ELECTRICAL CHARACTERISTICS:

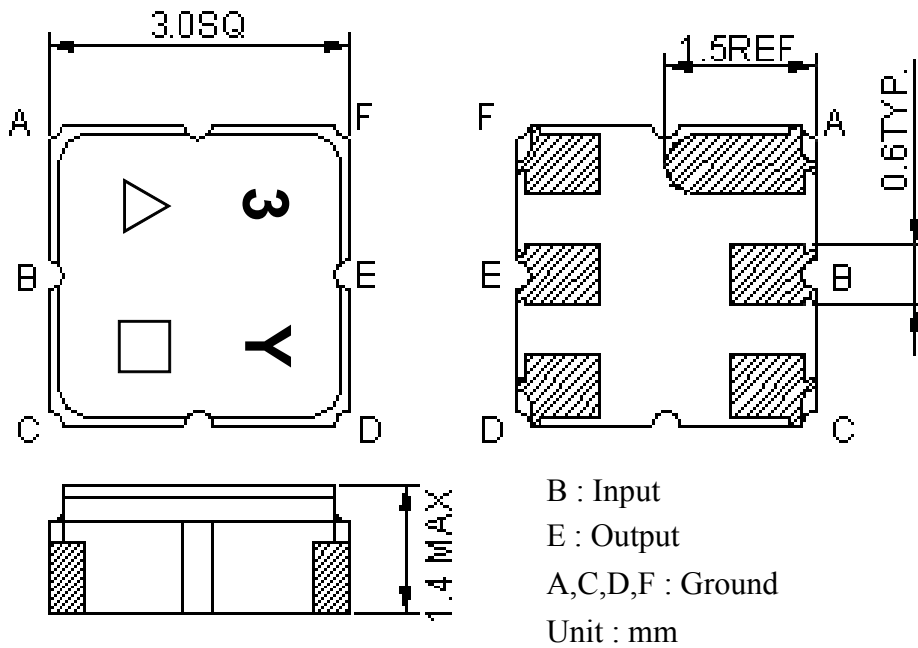
| Item | Unit | Min. | Type. | Max. | Note |
|--|------|------|-------|------|------|
| Center Frequency Fc | MHz | - | 1785 | - | - |
| Insertion Loss (1755 ~ 1815 MHz) IL | dB | - | 2.7 | 4 | - |
| Amplitude Ripple (variation over 3MHz) | dB | - | 0.5 | 1.2 | - |
| VSWR (1755 ~ 1815 MHz) | | - | 1.8 | 2.4 | |
| Group Delay Ripple (variation over 3MHz) | ns | - | 2 | 30 | |
| Attenuation (Reference level from 0 dB) | | | | | |
| D.C. ~ 1685 MHz | dB | 28 | 31 | - | - |
| 1685 ~ 1720 MHz | dB | 20 | 42 | - | - |
| 1850 ~ 1885 MHz | dB | 20 | 53 | - | - |
| 1885 ~ 3000 MHz | dB | 30 | 37 | - | - |

C. MEASUREMENT CIRCUIT:

HP Network analyzer



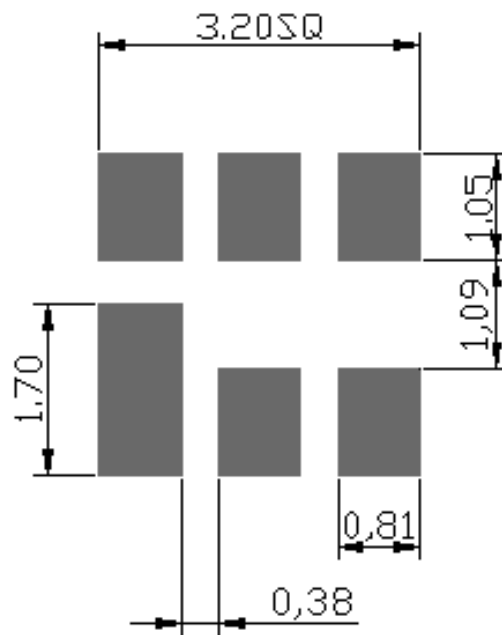
D.OUTLINE DRAWING:



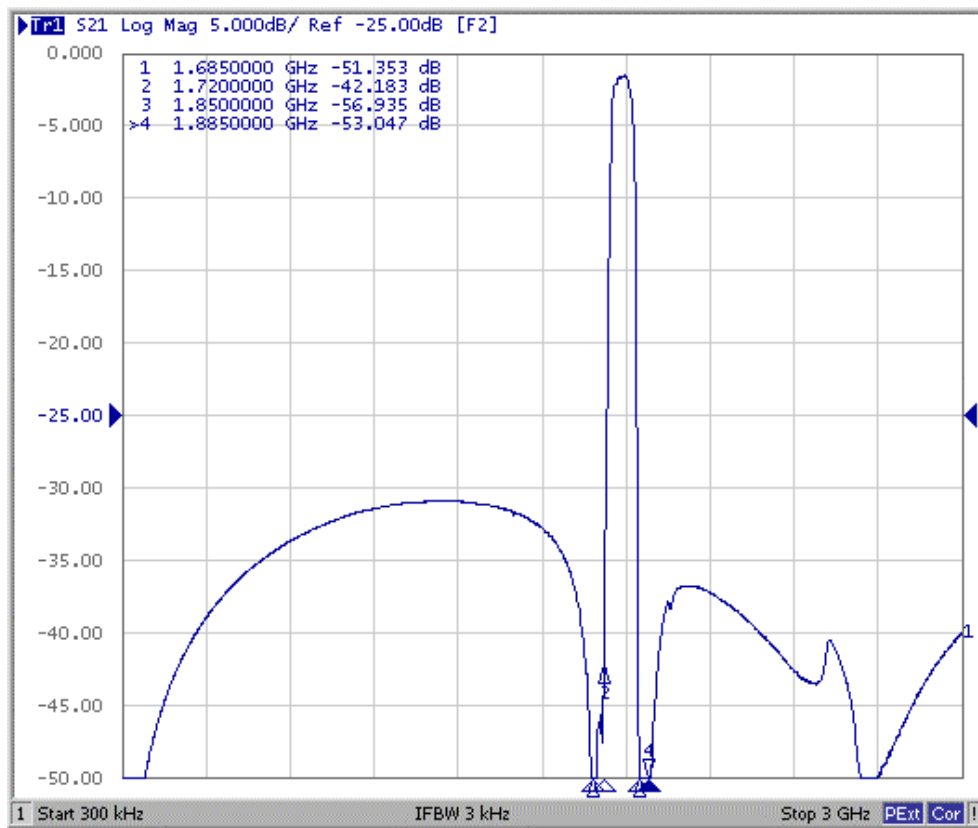
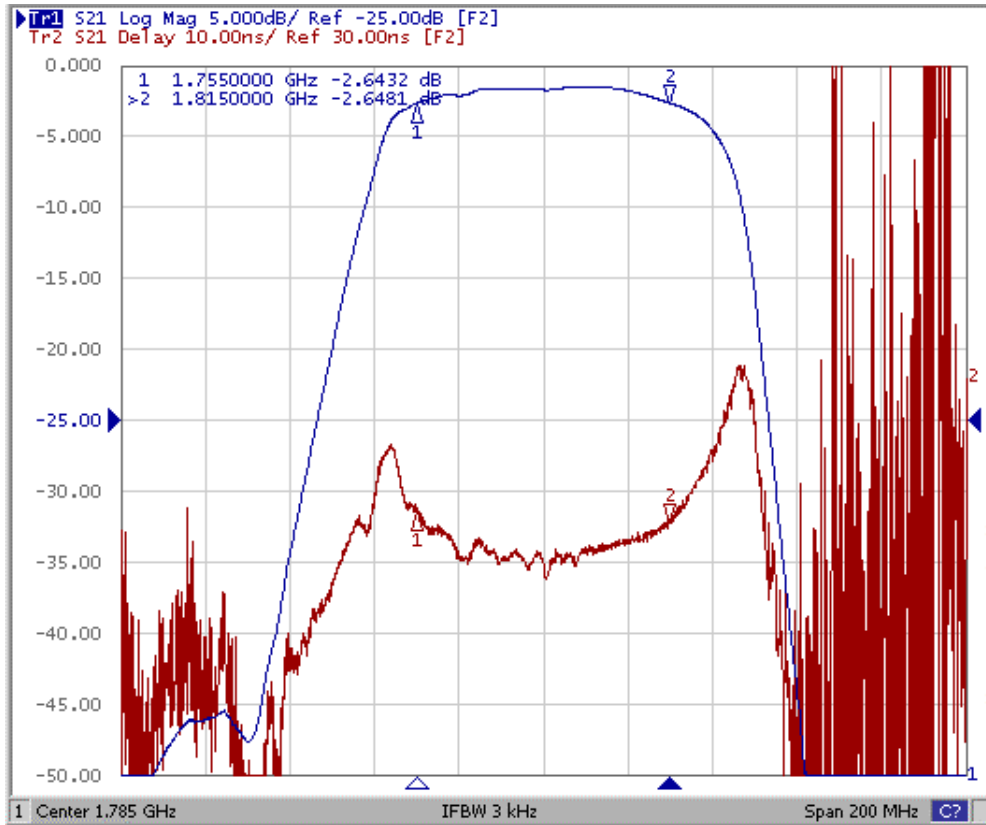
△ : Year Code (2006->6, ..., 2009->9)

□ : Date Code (Follow the table from planner each year)

E. PCB Footprint:

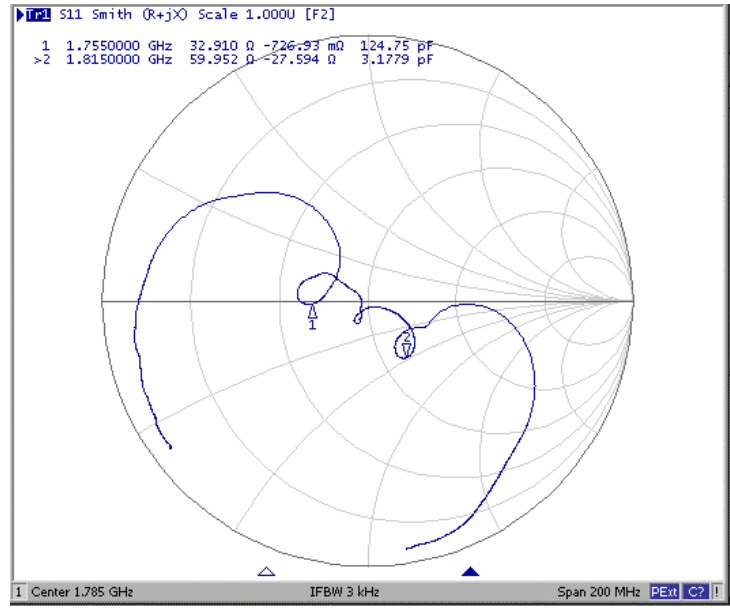
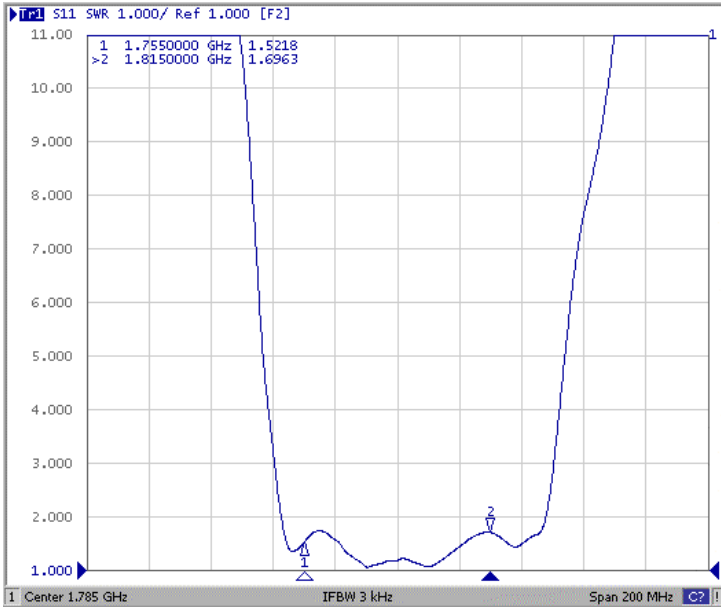


F. Frequency Characteristics :

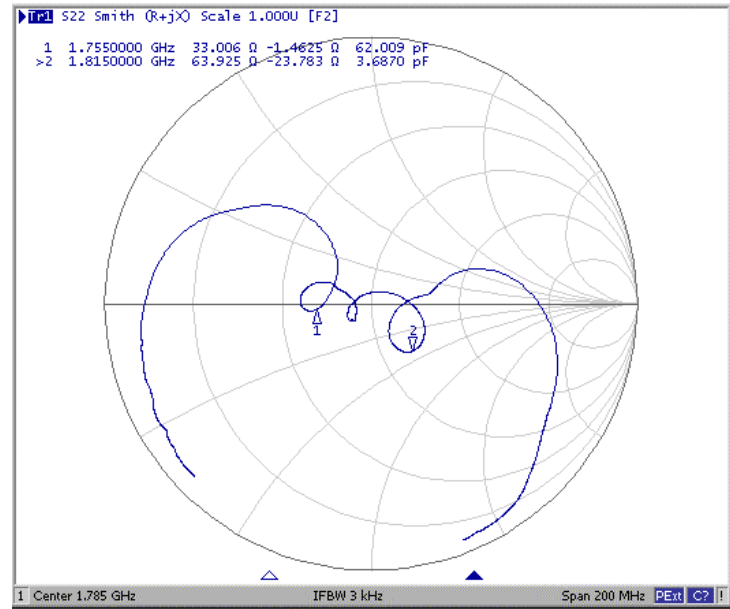
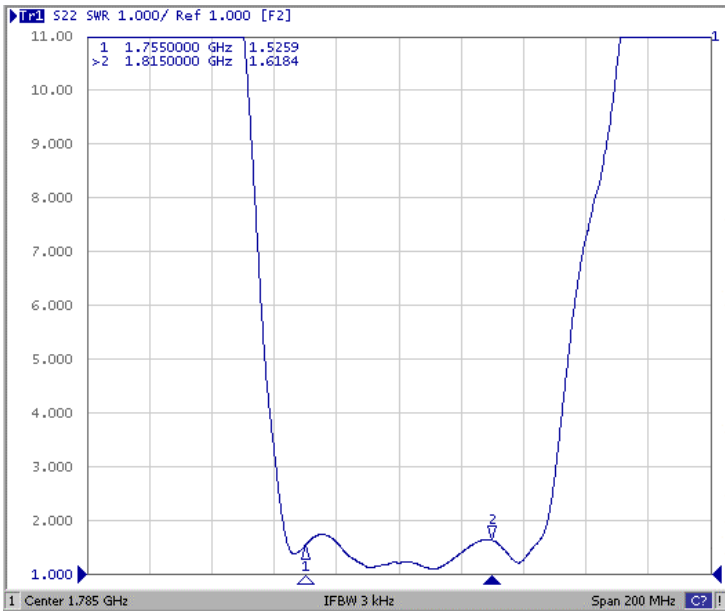


Reflection Functions :

S11



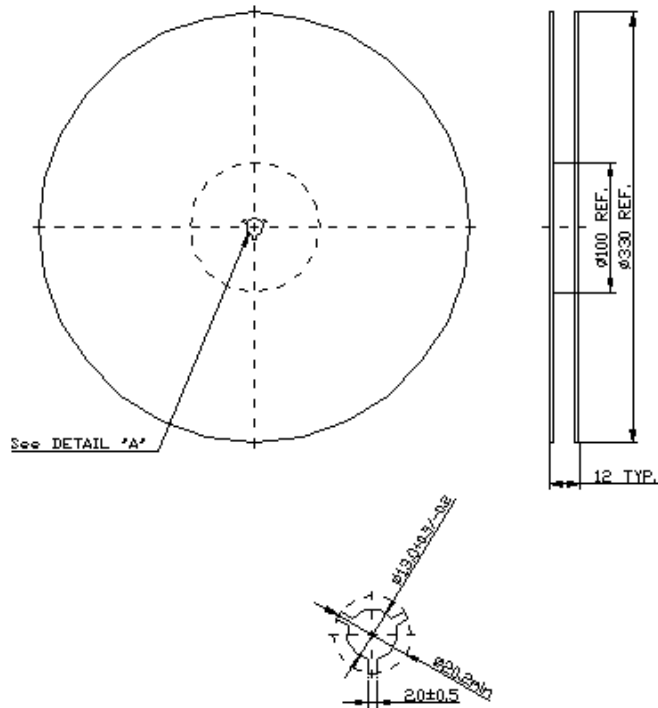
S22



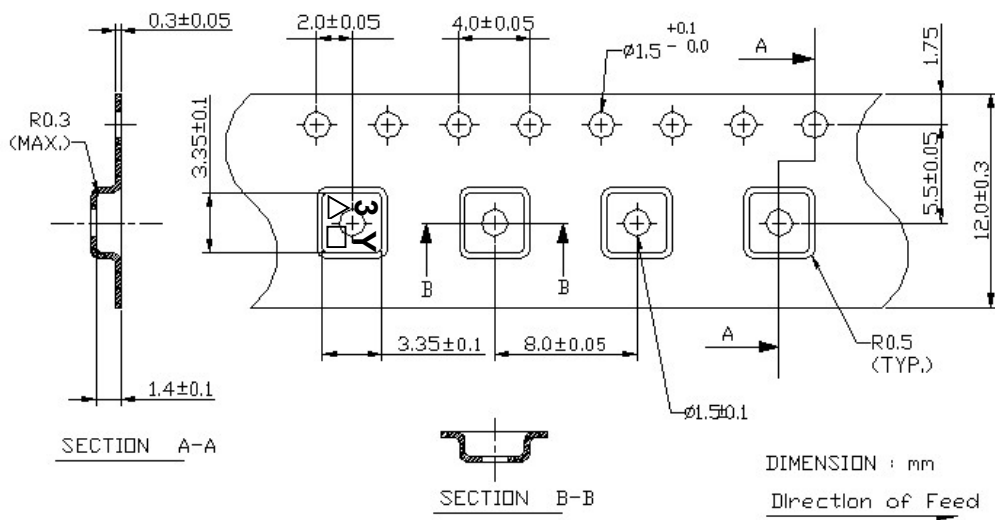
G. PACKING:

1. REEL DIMENSION

(Reel Count : 7"=1000 ; 13"=3000)



2. TAPE DIMENSION



H. RECOMMENDED REFLOW PROFILE :

