

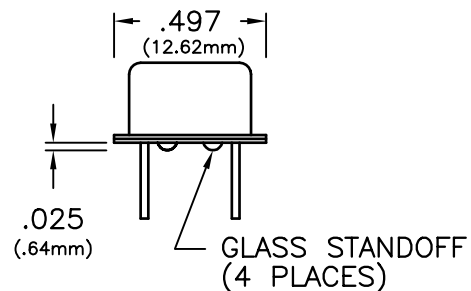
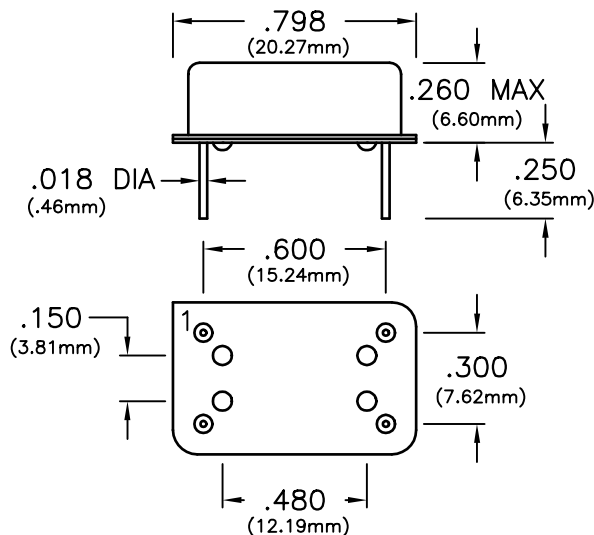


CONNOR-WINFIELD CORPORATION

AURORA, IL. 60505
 PHONE (630) 851-4722
 FAX (630) 851-5040

14 PIN DIP TTL

SPECIFICATIONS	S17R8		
Frequency Range	1MHz to 80MHz		
Frequency Stability	±100ppm		
	(Inclusive of calibration tolerance at 25°C, operating temperature range, input voltage change, load change, aging, shock and vibration)		
Temperature Range	-55°C to +125°C		
Output	Waveform	TTL Squarewave	
	Load	10 TTL	
	Voltage	Voh	2.4V Minimum
		Vol	0.5V Maximum
	Current	Ioh	-16mA
		Iol	16mA
	Duty Cycle	40/60 Maximum measured at 1.4V level	
Rise/Fall Time	10nS Maximum		
Start Up Time	10mS Maximum		
Supply Voltage	+5Vdc ±10%		
Supply Current	25mA Maximum		
Package	All metal, hermetically sealed, welded package		



PIN	CONNECTION
1	N/C
7	GROUND (CASE)
8	OUTPUT
14	(+) SUPPLY

Dimensional Tolerance ±.005

Specifications subject to change without notice

BULLETIN #: TT018
 PAGE 1 OF 1

REV: 02
 DATE: 5/31/95

ISSUED BY: _____