

FC SERIES ALARM UNIT

DATA SHEET

PRP

The FC series alarm unit accepts one or two FC series input signals and transmits alarm contact signals of upper limit, lower limit, or upper and lower limits by comparing the input signals with the signal from the built-in setter or from an external signal.

SPECIFICATIONS

Alarm specifications:

Alarm		Input	1 input		2 inputs	
			On-alarm		On-alarm	
Excitation alarm	Upper limit	1	H	—	—	—
	Lower limit	1	L	—	—	—
	Upper limit + lower limit	2	K	2	K	—
	Upper limit + upper limit	2	H	2	H	—
	Lower limit + lower limit	2	L	2	L	—
Nonexcitation alarm	Upper limit	1	A	—	—	—
	Lower limit	1	B	—	—	—
	Upper limit + lower limit	2	C	2	C	—
	Upper limit + upper limit	2	A	2	A	—
	Lower limit + lower limit	2	B	2	B	—

Note: Off-alarms can be supplied on request. (nonstandard)

Input signal and input resistance, setting signal and input resistance:

1 to 5V DC (input resistance 1M Ω)

Note: More than 33k Ω at power interruption. Input circuit can be opened during power OFF upon request.

4 to 20mA DC (250 Ω)

Built-in potentiometer (setting only)

Note: With 1 input and 2-point alarm, bias current is less than 3 μ A. Input resistance during power OFF is about 17k Ω .

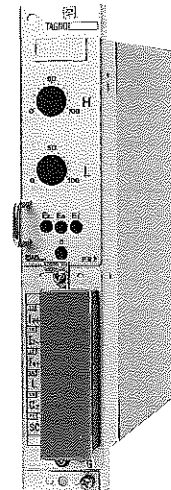
Allowance: $\pm 0.5\%$ of full span (Check terminal voltage-actuation point)

Setting scale allowance:

$\pm 5\%$ of full span

Resolution of setting unit:

0.3% of full span
(Built-in potentiometer)



Hysteresis width: Approx. 0.4% of full span, fixed

Max. contact capacity:

60W, 125VA (Resistive load)

Operating time: Input section; 33ms of filter time constant + 3ms of relay operating time

Power supply: 24V DC (20 to 30V DC),
100V $\pm 10\%$ AC 50/60Hz or
24V AC $+13\%$
 -10% 50/60Hz

Power consumption:

Approx. 2W (24V DC)
Approx. 3VA (24V AC)
Approx. 5VA (100V AC)

Dielectric strength:

500V AC, 1 min

Insulation resistance:

More than 100M Ω at 500V DC
(Between input, output and power supply)

Ambient temperature:

0 to 45 $^{\circ}$ C

Ambient humidity:

90%RH or less

Enclosure:

Steel case

Dimensions (H \times W \times D):

247 \times 44 \times 225mm

Weight:

Approx. 1kg (for 24V power supply)
1.3kg (for 100V power supply)

Finish color:

Case; Silver (melamine baking)
Terminal cover; Gray (molded synthetic resin)

Mounting method:

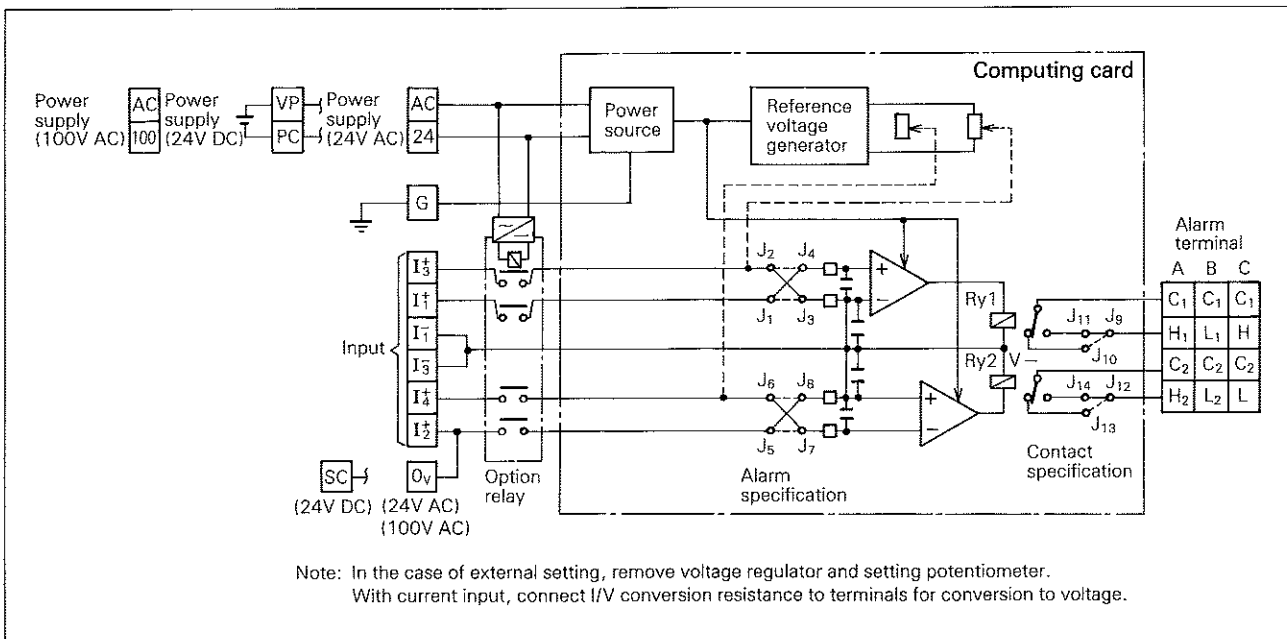
Rack mounting

Range of delivery: Alarm unit

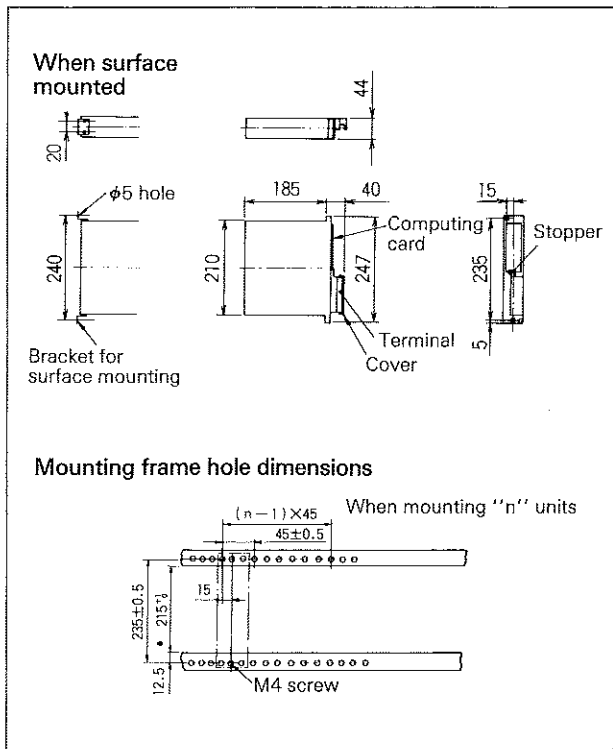
CODE SYMBOLS

1	2	3	4	5	6	7	8	9	10	11	12	13	Description
P	R	P			6			0	0	0			Input specifications
1													1 to 5V DC
2													4 to 20mA DC
4													1 to 5V DC with option relay
5													4 to 20mA DC with option relay
A													Setting specifications
E													Internal setting
													External setting
1													Alarm point
2													1 point
													2 points
H													Alarm specifications
L													Upper limit, excitation on-alarm
K													Lower limit, excitation on-alarm
A													Upper limit + lower limit, excitation on-alarm
B													Upper limit, nonexcitation on-alarm
C													Lower limit, nonexcitation on-alarm
													Upper limit + lower limit, nonexcitation on-alarm
0													Contact specifications
1													On-alarm
													Off-alarm
0													Application
													General use
													Power supply
1													24V DC
3													100V AC 50/60Hz (without option relay)
7													24V AC 50/60Hz

BASIC CIRCUIT DIAGRAM



OUTLINE DIAGRAM (Unit:mm)



ORDERING INFORMATION

1. Product name
2. Code symbol
3. Input specifications
4. Setting specifications
5. Alarm specifications
(points, upper and lower limits)
6. Other notes

CONNECTION DIAGRAM

