

## 0.65-Ω, Low Voltage, Negative Swing Capable, Dual SPST Analog Switch

### DESCRIPTION

The DG2727, DG2728, and DG2729 are 0.6 Ω dual SPST analog switches. When S<sub>x</sub> are used as signal input, these devices support AC-coupled audio signals with single rail power supply. Audio signals can swing below ground down to V<sub>+</sub> - 4.3 V.

Built on Vishay Siliconix's sub-micro CMOS technology, the DG2747/2748/2749 achieve 0.6 Ω on-resistance and 0.2 Ω flatness at 2.7 V power supply. Its total harmonic distortion is 0.006 % (frequency ranges 20 Hz to 20 kHz).

It achieves - 72 dB off-isolation and - 100 dB crosstalk at 100 kHz. Its - 3 dB bandwidth is up to 78 MHz.

Select pin of control logic can tolerate voltage above power supply up to 4.3 V. It has guaranteed 1.2 V logic high for the power supply 2.7 V to 4.3 V range. This makes it compatible with many low voltage digital control circuits.

Combining wide operation voltage, low power, high speed, low on-resistance and small physical size, the DG2747, DG2748, DG2749 are ideal for portable and battery powered applications requiring high performance and efficient use of board space.

The DG2747, DG2748, DG2749 come in a small miniQFN-8L package (1.4 mm x 1.4 mm x 0.55 mm) and operate over - 40 °C to + 85 °C extended temperature range.

### FEATURES

- Halogen-free according to IEC 61249-2-21 definition
- Wide operation voltage range: 1.6 V to 4.3 V
- Low 0.6 Ω (typical at 2.7 V) on-resistance
- Guaranteed logic high threshold:  
V<sub>th(high)</sub> = 1.2 V at V<sub>+</sub> = 4.3 V
- - 82 dB crosstalk and - 76 dB off-isolation at 100 kHz
- 250 MHz, - 3 dB bandwidth
- 0.006 % total harmonic distortion
- > 250 mA latch up current per JESD78
- > 8 kV ESD/HBM per MIL-STD 883 (method 3015)
- Compliant to RoHS directive 2002/95/EC



**RoHS**  
COMPLIANT  
HALOGEN  
**FREE**

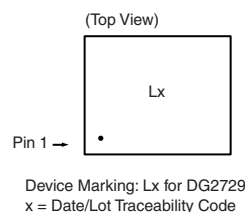
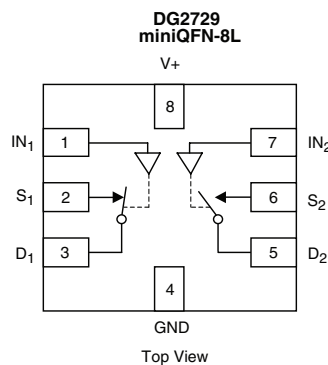
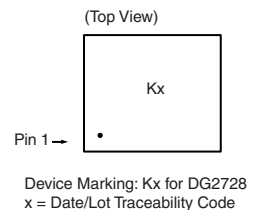
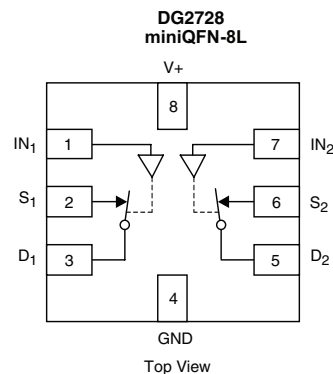
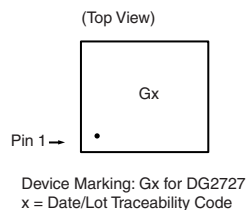
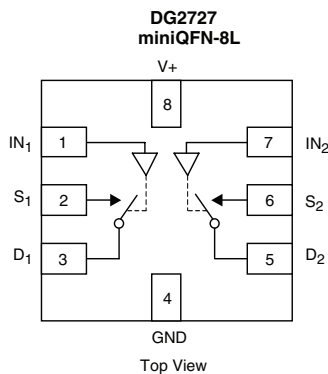
### BENEFITS

- Ultra small miniQFN-8L package of 1.4 mm x 1.4 mm x 0.55 mm
- High fidelity audio switch
- Reed relay replacement
- Low power consumption

### APPLICATIONS

- Cellular phones
- GPS and portable media player
- Audio and video signal routing
- Modems
- Hard drives and computer peripherals
- Low voltage data-acquisition circuits
- Medical and test equipment

### FUNCTIONAL BLOCK DIAGRAM AND PIN CONFIGURATION



TRUTH TABLE						
Logic	DG2727		DG2728		DG2729	
	S <sub>1</sub> and D <sub>1</sub>	S <sub>2</sub> and D <sub>2</sub>	S <sub>1</sub> and D <sub>1</sub>	D <sub>2</sub> and D <sub>2</sub>	S <sub>1</sub> and D <sub>1</sub>	S <sub>2</sub> and D <sub>2</sub>
Low	OFF	OFF	ON	ON	ON	OFF
High	ON	ON	OFF	OFF	OFF	ON

ORDERING INFORMATION		
Temp. Range	Package	Part Number
- 40 °C to 85°C	miniQFN-8L	DG2727DN-T1-E4 DG2728DN-T1-E4 DG2729DN-T1-E4

ABSOLUTE MAXIMUM RATINGS T <sub>A</sub> = 25 °C, unless otherwise noted			
Parameter		Limit	Unit
Reference to GND	V+	- 0.3 to 5.0	V
	IN, D, S <sup>a</sup>	- 0.3 to (V+ + 0.3)	
Current (Any terminal except S or D)		30	mA
Continuous Current (S or D)		± 300	
Peak Current (Pulsed at 1 ms, 10 % duty cycle)		± 500	
Storage Temperature (D Suffix)		- 65 to 150	°C
Power Dissipation (Packages) <sup>b</sup>	miniQFN-8L <sup>c</sup>	190	mW

Notes:

- a. Signals on S or D or IN exceeding V+ will be clamped by internal diodes. Limit forward diode current to maximum current ratings.
- b. All leads welded or soldered to PC board.
- c. Derate 2.4 mW/°C above 70 °C.



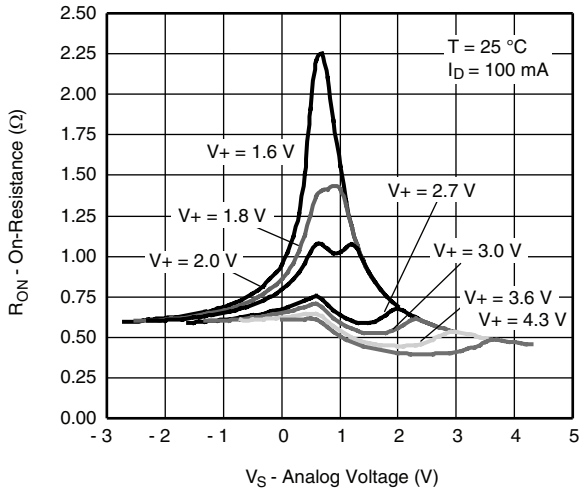
SPECIFICATIONS $V_+ = 3\text{ V}$							
Parameter	Symbol	Test Conditions Unless Otherwise Specified $V_+ = 3\text{ V}, \pm 10\%, V_{IN} = 0.4\text{ V or } 1.2\text{ V}^e$	Temp. <sup>a</sup>	Limits - 40 °C to 85 °C			Unit
				Min. <sup>b</sup>	Typ. <sup>c</sup>	Max. <sup>b</sup>	
<b>Analog Switch</b>							
Analog Signal Range <sup>d</sup>	$V_{\text{analog}}$		Full	$V_+ - 4.3\text{ V}$		$V_+$	V
On-Resistance	$R_{\text{ON}}$	$V_+ = 2.7\text{ V}, I_D = 100\text{ mA}, V_S = -1.6\text{ V}, -1\text{ V}, 0\text{ V}, 2\text{ V}, 2.7\text{ V}$	Room		0.65	1.0	$\Omega$
			Full			1.15	
$R_{\text{ON}}$ Match	$\Delta R_{\text{ON}}$	$V_+ = 2.7\text{ V}, I_D = 100\text{ mA}, V_S = -1.6\text{ V}, -1\text{ V}, 0\text{ V}, 2\text{ V}, 2.7\text{ V}$	Room			0.1	
$R_{\text{ON}}$ Resistance Flatness	$R_{\text{ON}}$ flatness	$V_+ = 2.7\text{ V}, I_D = 100\text{ mA}, V_S = -1.6\text{ V}, -1\text{ V}, 0\text{ V}, 2\text{ V}, 2.7\text{ V}$	Room		0.2	0.3	
Switch Off Leakage Current	$I_{\text{S(off)}}$	$V_+ = 2.7\text{ V}, V_S = -1.8\text{ V}, 2.4\text{ V}, V_D = 0\text{ V}$	Room	- 100		100	nA
			Full	- 500		500	
	Room		- 100		100		
	Full		- 500		500		
Channel-On Leakage Current	$I_{\text{D(on)}}$	$V_+ = 2.7\text{ V}, V_S = V_D = -1.8\text{ V}, 2.4\text{ V}$	Room	- 100		100	
			Full	- 500		500	
<b>Digital Control</b>							
High Level Input Voltage	$V_{\text{INH}}$	$V_+ = 1.6\text{ V to } 2.6\text{ V}$	Full	1.0			V
		$V_+ = 2.7\text{ V to } 4.3\text{ V}$		1.2			
Low Level Input Voltage	$V_{\text{INL}}$	$V_+ = 1.6\text{ V to } 2.6\text{ V}$				0.3	
		$V_+ = 2.7\text{ V to } 4.3\text{ V}$				0.4	
Input Current	$I_{\text{INL}}$ or $I_{\text{INH}}$	$V_{\text{IN}} = 0\text{ or } V_+$		- 1		1	$\mu\text{A}$
<b>Dynamic Characteristics</b>							
Turn-On Time	$t_{\text{ON}}$	$V_+ = 1.6\text{ V to } 4.3\text{ V}, V_S = 1.5\text{ V}, R_L = 50\ \Omega, C_L = 35\text{ pF}$	Room		38	67	ns
			Full			72	
Turn-Off Time	$t_{\text{OFF}}$		Room		14	40	
			Full			42	
Break-Before-Make Time (DG2729 only)	$t_{\text{BBM}}$		Full	2	14		ns
Charge Injection <sup>d</sup>	Q	$C_L = 1\text{ nF}, R_{\text{GEN}} = 0\ \Omega, V_{\text{GEN}} = 0\text{ V}$	Room		1.2		pC
Off-Isolation <sup>d</sup>	$O_{\text{IRR}}$	$R_L = 50\ \Omega, C_L = 5\text{ pF}, f = 1\text{ MHz}$	Room		- 58		dB
		$R_L = 50\ \Omega, C_L = 5\text{ pF}, f = 100\text{ kHz}$			- 76		
Crosstalk <sup>d</sup>	$X_{\text{TALK}}$	$R_L = 50\ \Omega, C_L = 5\text{ pF}, f = 1\text{ MHz}$			- 64		
		$R_L = 50\ \Omega, C_L = 5\text{ pF}, f = 100\text{ kHz}$			- 82		
3 dB Bandwidth <sup>d</sup>		$R_L = 50\ \Omega, C_L = 5\text{ pF}$	Room		252		MHz
Total Harmonic Distortion <sup>d</sup>	THD	$R_L = 600\ \Omega, 0.5\text{ Vp-p}, f = 20\text{ Hz to } 20\text{ kHz}$	Room		0.006		%
Source Off Capacitance <sup>d</sup>	$C_{\text{S(off)}}$	$f = 1\text{ MHz}, V_S = 0\text{ V}$	Room		31		pF
Drain Off Capacitance <sup>d</sup>	$C_{\text{D(off)}}$	$f = 1\text{ MHz}, V_D = 0\text{ V}$	Room		31		
Drain On Capacitance <sup>d</sup>	$C_{\text{D(on)}}$	$f = 1\text{ MHz}, V_D = V_S = 0\text{ V}$	Room		46		
<b>Power Supply</b>							
Power Supply Range	$V_+$			1.6		4.3	V
Power Supply Current	$I_+$	$V_{\text{IN}} = 0\text{ or } V_+$	Full			1.0	$\mu\text{A}$

Notes:

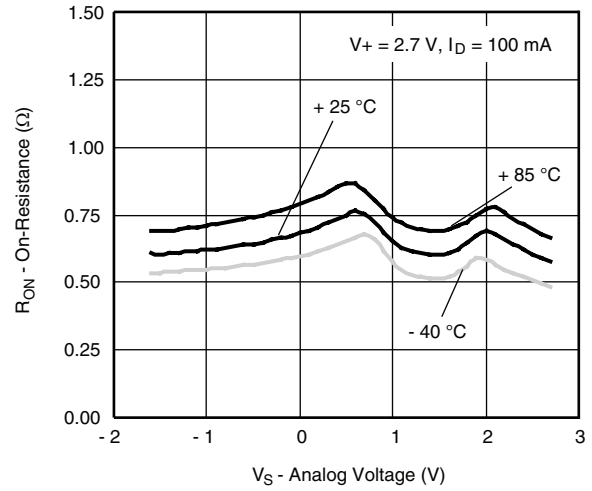
- a. Room = 25 °C, Full = as determined by the operating suffix.
- b. The algebraic convention whereby the most negative value is a minimum and the most positive a maximum, is used in this data sheet.
- c. Typical values are for design aid only, not guaranteed nor subject to production testing.
- d. Guarantee by design, not subjected to production test.
- e.  $V_{\text{IN}}$  = input voltage to perform proper function.

Stresses beyond those listed under "Absolute Maximum Ratings" may cause permanent damage to the device. These are stress ratings only, and functional operation of the device at these or any other conditions beyond those indicated in the operational sections of the specifications is not implied. Exposure to absolute maximum rating conditions for extended periods may affect device reliability.

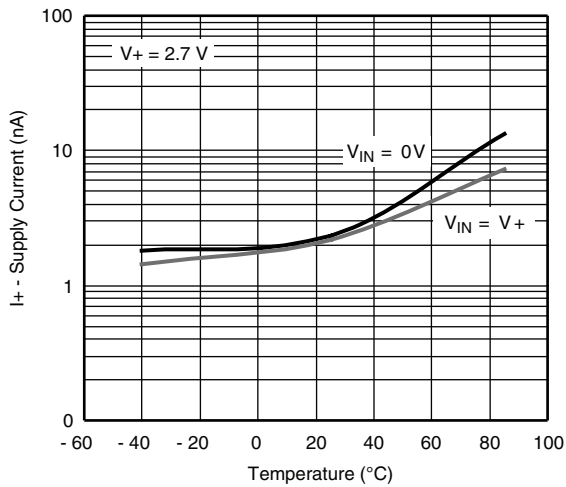
**TYPICAL CHARACTERISTICS**  $T_A = 25\text{ }^\circ\text{C}$ , unless otherwise noted



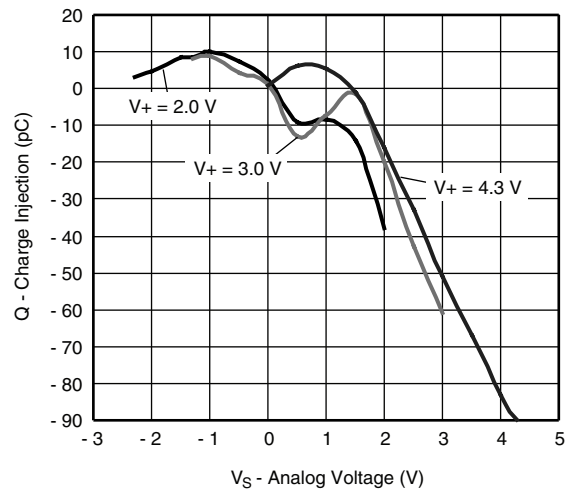
**$R_{DS(ON)}$  vs. Analog Voltage and Supply Voltage**



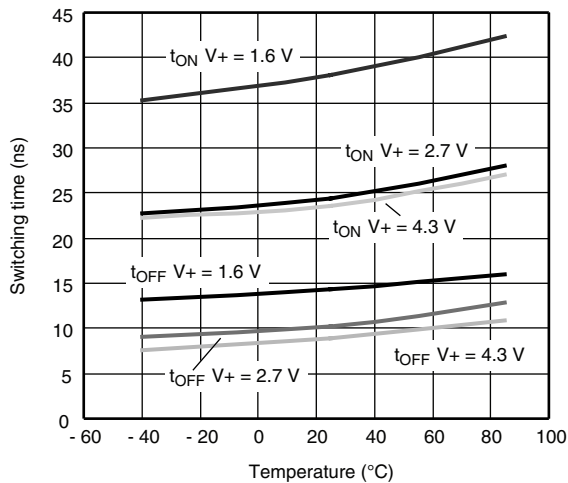
**$R_{DS(ON)}$  vs. Analog Voltage and Temperature**



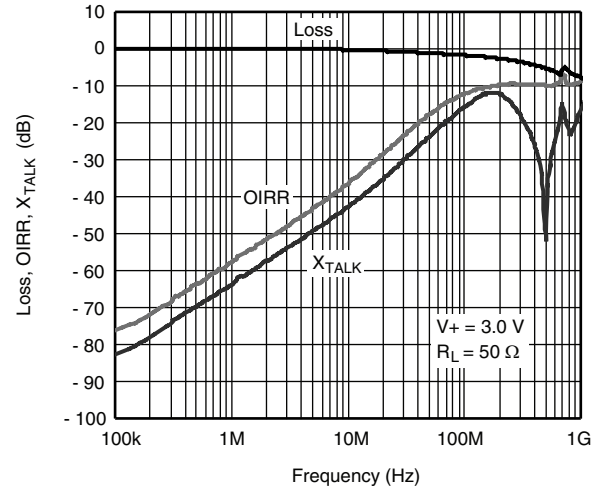
**Supply Current vs. Temperature**



**Charge Injection vs. Analog Voltage**

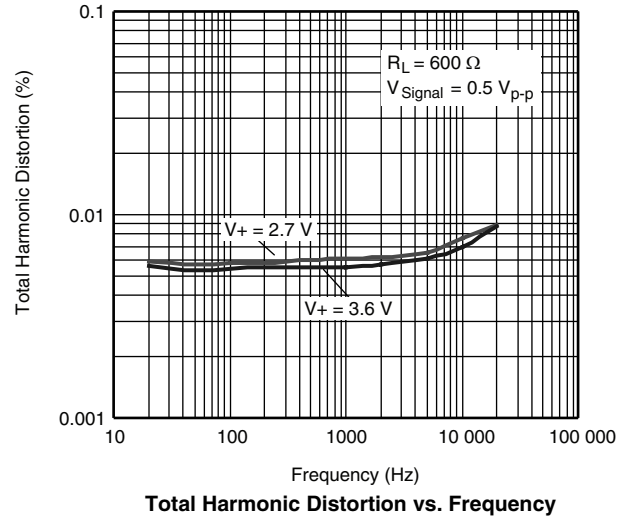
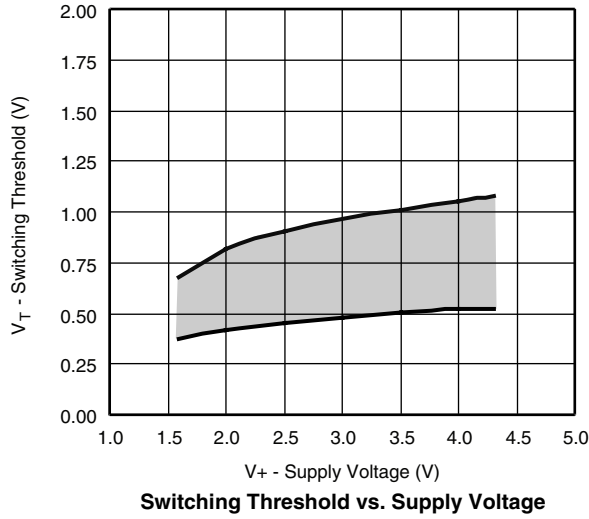


**Switching Time vs. Temperature**

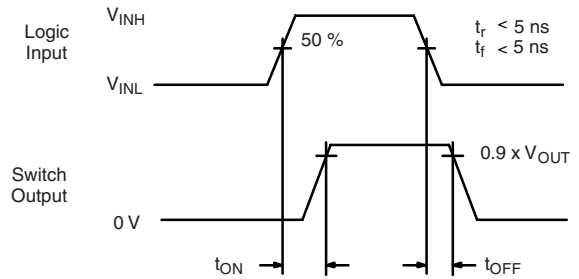
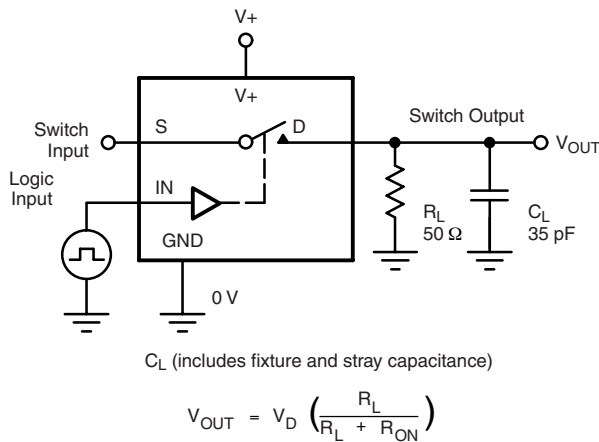


**Insertion Loss, Off-Isolation and Crosstalk vs. Frequency**

**TYPICAL CHARACTERISTICS**  $T_A = 25^\circ\text{C}$ , unless otherwise noted

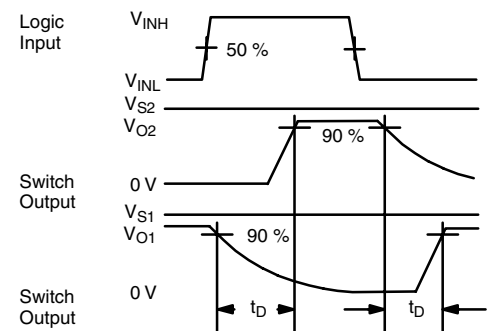
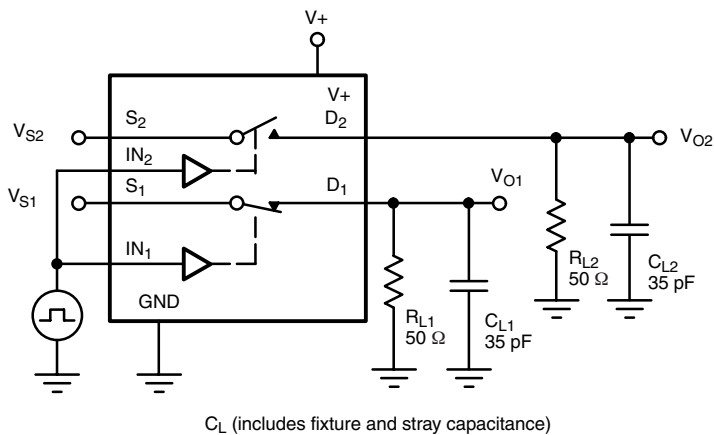


**TEST CIRCUITS**



Logic "1" = Switch On  
 Logic input waveforms inverted for switches that have the opposite logic sense.

**Figure 1. Switching Time**



**Figure 2. Break-Before-Make (DG2729)**

TEST CIRCUITS

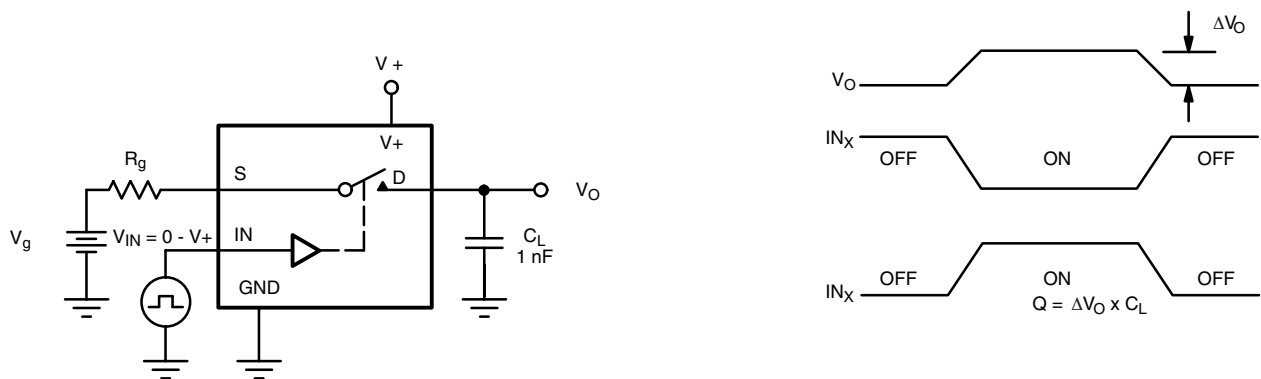


Figure 3. Charge Injection

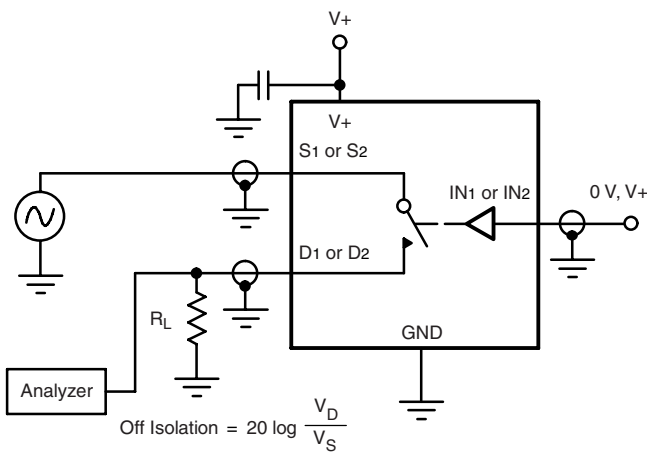


Figure 4. Off-Isolation

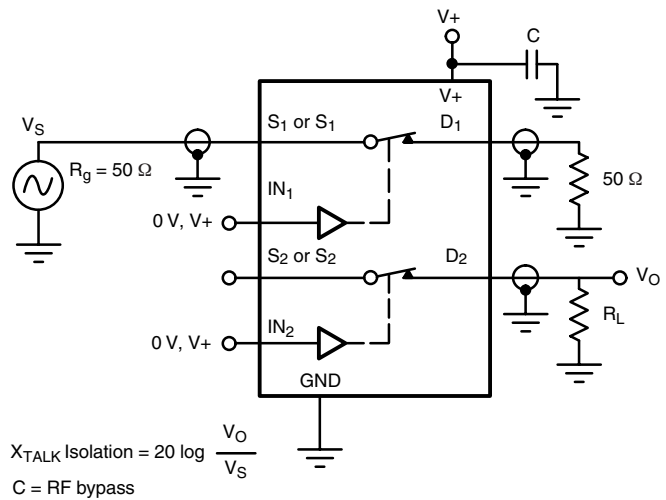


Figure 5. Crosstalk

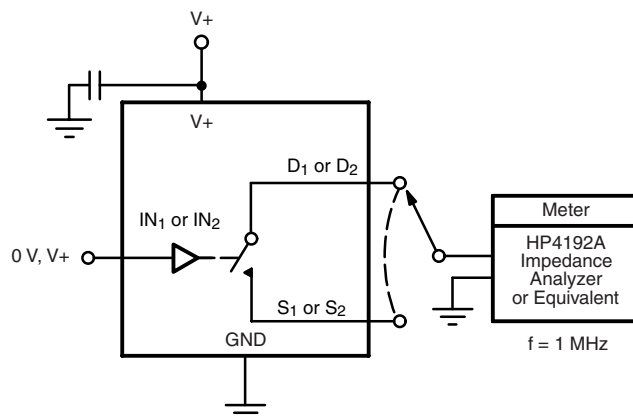
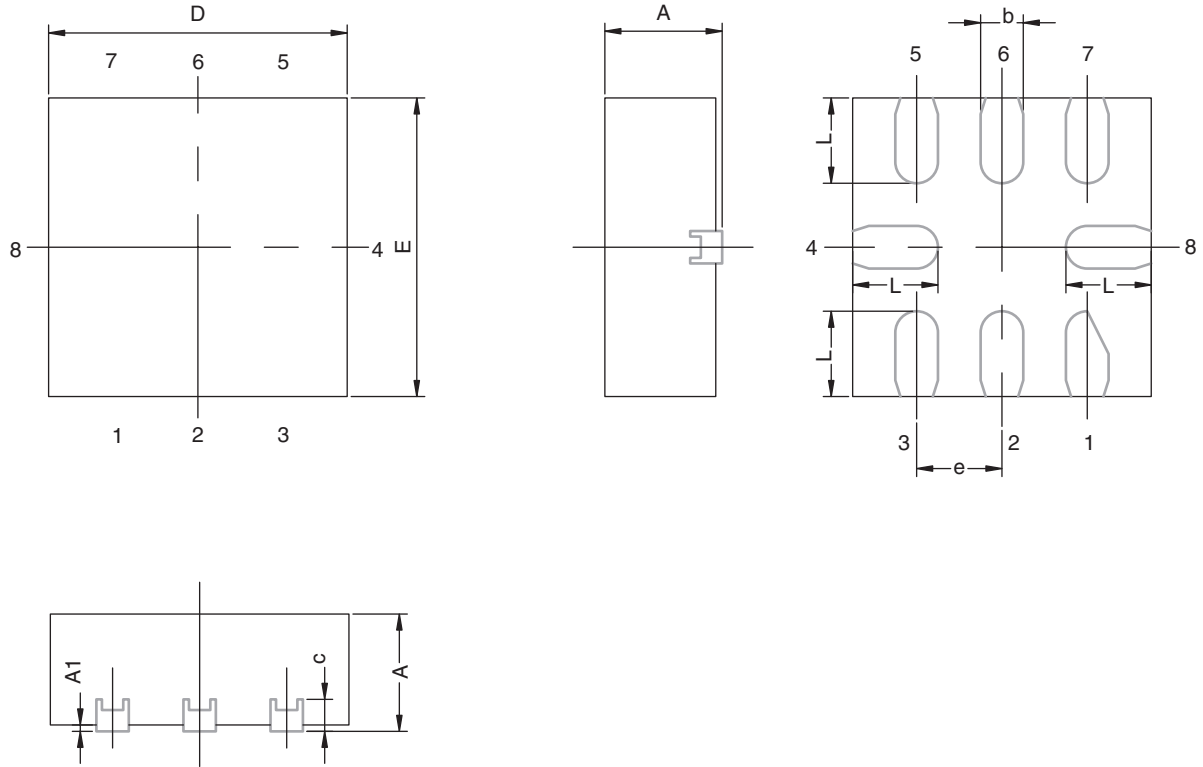


Figure 6. Channel Off/On Capacitance

Vishay Siliconix maintains worldwide manufacturing capability. Products may be manufactured at one of several qualified locations. Reliability data for Silicon Technology and Package Reliability represent a composite of all qualified locations. For related documents such as package/tape drawings, part marking, and reliability data, see [www.vishay.com/ppg?69049](http://www.vishay.com/ppg?69049).

## MINIQFN-8L CASE OUTLINE



DIM	MILLIMETERS			INCHES		
	MIN.	NOM.	MAX.	MIN.	NOM.	MAX.
A	0.50	0.55	0.60	0.0197	0.0217	0.0236
A1	0.00	-	0.05	0.000	-	0.002
b	0.15	0.20	0.25	0.006	0.008	0.010
c	0.15 REF			0.006 REF		
D	1.35	1.40	1.45	0.053	0.055	0.057
E	1.35	1.40	1.45	0.053	0.055	0.057
e	0.40 BSC			0.016 BSC		
L	0.35	0.40	0.45	0.014	0.016	0.018
ECN: C-08336-Rev. A, 05-May-08						
DWG: 5964						



## Disclaimer

ALL PRODUCT, PRODUCT SPECIFICATIONS AND DATA ARE SUBJECT TO CHANGE WITHOUT NOTICE TO IMPROVE RELIABILITY, FUNCTION OR DESIGN OR OTHERWISE.

Vishay Intertechnology, Inc., its affiliates, agents, and employees, and all persons acting on its or their behalf (collectively, "Vishay"), disclaim any and all liability for any errors, inaccuracies or incompleteness contained in any datasheet or in any other disclosure relating to any product.

Vishay makes no warranty, representation or guarantee regarding the suitability of the products for any particular purpose or the continuing production of any product. To the maximum extent permitted by applicable law, Vishay disclaims (i) any and all liability arising out of the application or use of any product, (ii) any and all liability, including without limitation special, consequential or incidental damages, and (iii) any and all implied warranties, including warranties of fitness for particular purpose, non-infringement and merchantability.

Statements regarding the suitability of products for certain types of applications are based on Vishay's knowledge of typical requirements that are often placed on Vishay products in generic applications. Such statements are not binding statements about the suitability of products for a particular application. It is the customer's responsibility to validate that a particular product with the properties described in the product specification is suitable for use in a particular application. Parameters provided in datasheets and/or specifications may vary in different applications and performance may vary over time. All operating parameters, including typical parameters, must be validated for each customer application by the customer's technical experts. Product specifications do not expand or otherwise modify Vishay's terms and conditions of purchase, including but not limited to the warranty expressed therein.

Except as expressly indicated in writing, Vishay products are not designed for use in medical, life-saving, or life-sustaining applications or for any other application in which the failure of the Vishay product could result in personal injury or death. Customers using or selling Vishay products not expressly indicated for use in such applications do so at their own risk and agree to fully indemnify and hold Vishay and its distributors harmless from and against any and all claims, liabilities, expenses and damages arising or resulting in connection with such use or sale, including attorneys fees, even if such claim alleges that Vishay or its distributor was negligent regarding the design or manufacture of the part. Please contact authorized Vishay personnel to obtain written terms and conditions regarding products designed for such applications.

No license, express or implied, by estoppel or otherwise, to any intellectual property rights is granted by this document or by any conduct of Vishay. Product names and markings noted herein may be trademarks of their respective owners.