

# Spezifikation für Freigabe / specification for release

Kunde / customer :

Artikelnummer / part number :

**74990112116A**

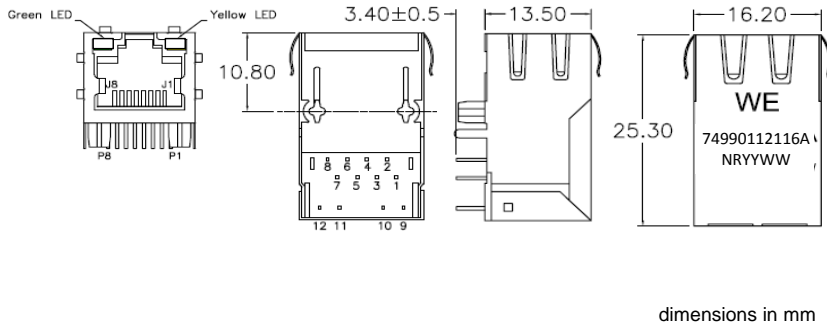


Bezeichnung : **LAN-Übertrager WE-RJ45LAN 10/100BaseT**

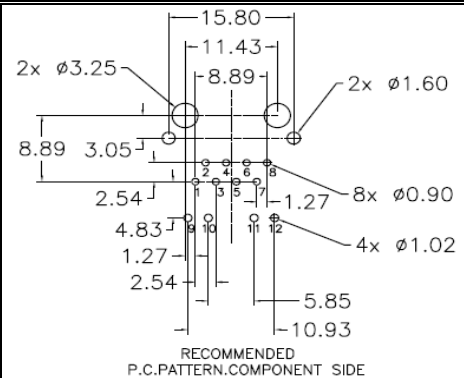
description : **LAN-Transformer WE-RJ45LAN 10/100BaseT**

DATUM / DATE : 2011-10-10

## A Mechanische Abmessungen / dimensions :



## B Lötpad / soldering spec. :



## C Elektrische Eigenschaften / electrical properties :

| Eigenschaften / properties           | Testbedingungen / test conditions   |      | Wert / value | Einheit / unit | tol.        |
|--------------------------------------|-------------------------------------|------|--------------|----------------|-------------|
| Induktivität / Inductance            | <b>100kHz / 100mV @ 8mA DC-Bias</b> | OCL  | <b>350</b>   | µH             | <b>min.</b> |
| Übersetzungsverhältnis / Turns ratio | <b>100kHz / 100mV</b>               | TR   | <b>1 : 1</b> | Tx             | <b>3%</b>   |
|                                      |                                     |      | <b>1 : 1</b> | Rx             |             |
| Insertion Loss                       | <b>1-100MHz</b>                     | IL   | <b>-1,0</b>  | dB             | <b>max.</b> |
| Return Loss                          | <b>1-10MHz @ 100Ω</b>               | RL   | <b>-18</b>   | dB             | <b>min.</b> |
|                                      | <b>10-30MHz @ 100Ω</b>              |      | <b>-16,0</b> |                |             |
|                                      | <b>30-60MHz @ 100Ω</b>              |      | <b>-13,5</b> |                |             |
|                                      | <b>60-80MHz @ 100Ω</b>              |      | <b>-12</b>   |                |             |
| Common Mode Rejection                | <b>1-100MHz</b>                     | CCMR | <b>-30</b>   | dB             | <b>min.</b> |
| Crosstalk                            | <b>1-100MHz</b>                     | CT   | <b>-30</b>   | dB             | <b>min.</b> |

## D Prüfgeräte / test equipment :

**HP4395A**

## E Testbedingungen / test conditions :

Luftfeuchtigkeit / humidity: 33%  
Umgebungstemperatur / temperature: +25°C

## F Werkstoffe & Zulassungen / material & approvals :

Basismaterial / base material: Ferrit/ ferrite  
 Draht / wire: 4UEW 155°C  
 Kontaktmaterial/ contact plating: 100% tin w. nickel underplating  
 30µ"gold plating on contact area  
 Gehäuse / housing: Thermoplastic UL-94V0  
 LED: 1,8-2,8 V/ 20mA  
 Shield: 50µ" nickel over 0.01" cooper alloy

## G Eigenschaften / general specifications :

Betriebstemp. / operating temperature: -40°C - + 85°C  
 Hochspannungsprüfung / Hipot test: 1500Vrms 1min.  
 geeignet für 10/100Base-TX gemäß IEEE 802.3u /  
 Compliant with IEEE 802.3u for 10/100Base-TX-Applications  
 Auto MDIX fähig / Auto MDIX capable

Freigabe erteilt / general release:

**Kunde / customer**

Datum / date

Unterschrift / signature

**Würth Elektronik**

Geprüft / checked

Kontrolliert / approved

|      |                         |              |
|------|-------------------------|--------------|
| Mle  | Rev 01                  | 2011-10-10   |
| Mle  | Rev 00                  | 2011-03-03   |
| Name | Änderung / modification | Datum / date |

**Würth Elektronik eiSos GmbH & Co.KG**

D-74638 Waldenburg · Max-Eyth-Straße 1 - 3 · Germany · Telefon (+49) (0) 7942 - 945 - 0 · Telefax (+49) (0) 7942 - 945 - 400  
<http://www.we-online.com>

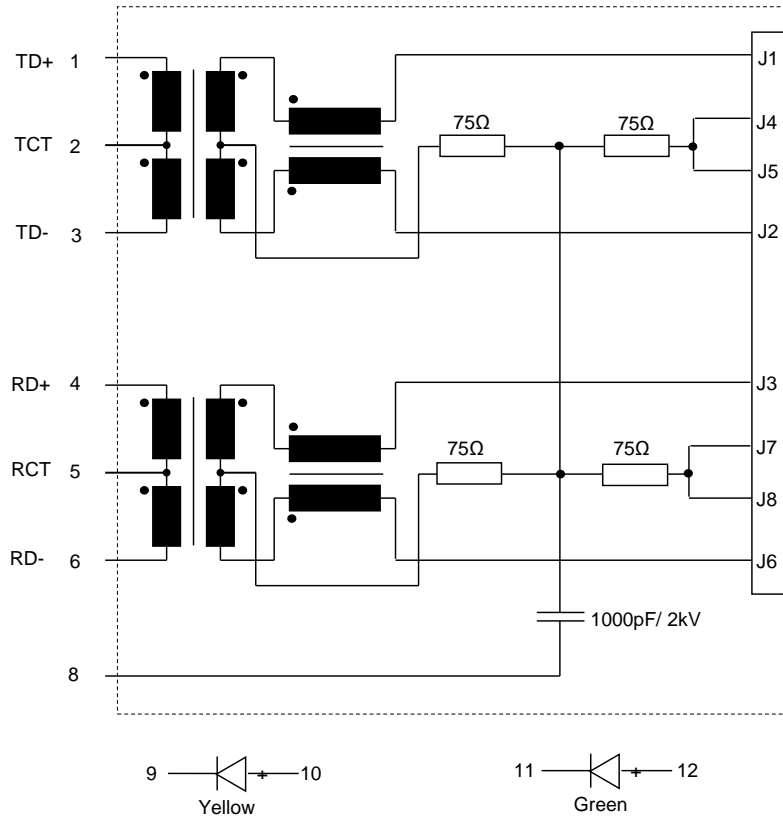
# Spezifikation für Freigabe / specification for release

Kunde / customer :  
 Artikelnummer / part number : **74990112116A**  
 Bezeichnung : **LAN-Übertrager WE-RJ45LAN 10/100BaseT**  
 description : **LAN-Transformer WE-RJ45LAN 10/100BaseT**



DATUM / DATE : 2011-10-10

## H Schaltbild / Schematics :



|                                     |                          |      |                         |
|-------------------------------------|--------------------------|------|-------------------------|
| Freigabe erteilt / general release: | <b>Kunde / customer</b>  |      |                         |
| .....                               | .....                    |      |                         |
| Datum / date                        | Unterschrift / signature |      |                         |
| .....                               | <b>Würth Elektronik</b>  |      |                         |
| .....                               | .....                    | Mle  | Rev 01                  |
| Geprüft / checked                   | Kontrolliert / approved  | Mle  | Rev 00                  |
|                                     |                          | Name | Änderung / modification |
|                                     |                          |      | Datum / date            |

### Würth Elektronik eiSos GmbH & Co.KG

D-74638 Waldenburg · Max-Eyth-Straße 1 - 3 · Germany · Telefon (+49) (0) 7942 - 945 - 0 · Telefax (+49) (0) 7942 - 945 - 400  
<http://www.we-online.com>

# Spezifikation für Freigabe / specification for release

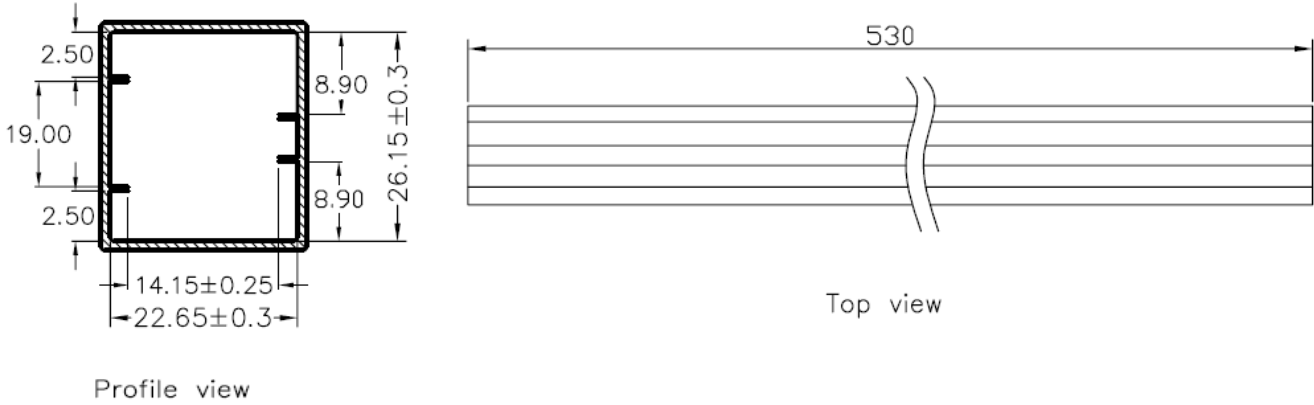
Kunde / customer :  
 Artikelnummer / part number : **74990112116A**  
 Bezeichnung : LAN-Übertrager WE-RJ45LAN 10/100BaseT  
 description : LAN-Transformer WE-RJ45LAN 10/100BaseT



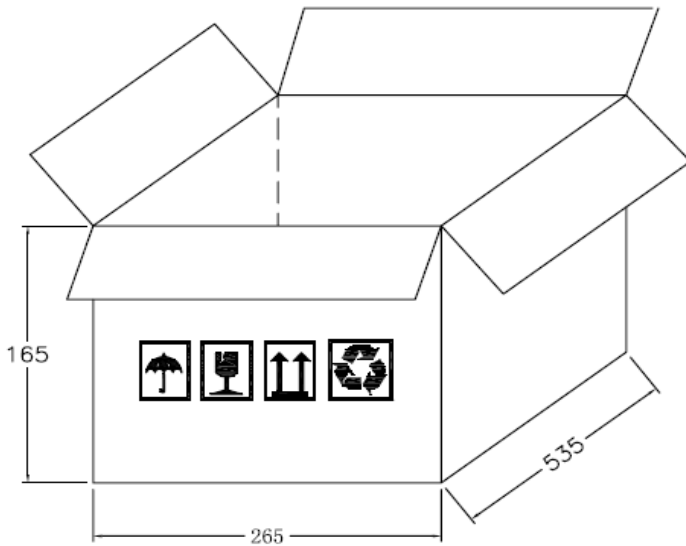
DATUM / DATE : 2011-10-10

## I Verpackungsspezifikation / package specification :

### Tube



### Carton



### Packing Quantity:

tube= 29pcs  
 carton= 1566pcs

### dimensions in mm

|                                     |                          |      |                         |              |
|-------------------------------------|--------------------------|------|-------------------------|--------------|
| Freigabe erteilt / general release: | Kunde / customer         |      |                         |              |
| .....                               | .....                    |      |                         |              |
| Datum / date                        | Unterschrift / signature |      |                         |              |
| .....                               | Würth Elektronik         |      |                         |              |
| .....                               | .....                    | Mle  | Rev 01                  | 2011-10-10   |
| Geprüft / checked                   | Kontrolliert / approved  | Mle  | Rev 00                  | 2011-03-03   |
| .....                               | .....                    | Name | Änderung / modification | Datum / date |

This electronic component has been designed and developed for usage in general electronic equipment. Before incorporating this component into any equipment where higher safety and reliability is especially required or if there is the possibility of direct damage or injury to human body, for example in the range of aerospace, aviation, nuclear control, submarine, transportation, (automotive control, train control, ship control), transportation signal, disaster prevention, medical, public information network etc, Würth Elektronik eiSos GmbH must be informed before the design-in stage. In addition, sufficient reliability evaluation checks for safety must be performed on every electronic component which is used in electrical circuits that require high safety and reliability functions or performance.

### Würth Elektronik eiSos GmbH & Co.KG

D-74638 Waldenburg · Max-Eyth-Straße 1 - 3 · Germany · Telefon (+49) (0) 7942 - 945 - 0 · Telefax (+49) (0) 7942 - 945 - 400  
<http://www.we-online.com>