



Ordering number CN12638_LENINA-S

Family	Lenina	FWHM	16 degrees
Type	Reflector	Efficiency	88 %
LED	CXA2011	cd/lm	-
Color	Metal	Gerber File	Available
Diameter	74 mm		
Height	46.95 mm		
Style	Round		
Optic Material	PC		
Holder Material	PC		
Fastening	Screw		
Status	Ready		



Ordering number CN12641_LENINA-S-DL

Family	Lenina	FWHM	20 degrees
Type	Reflector	Efficiency	80 %
LED	CXA2011	cd/lm	-
Color	Metal	Gerber File	Available
Diameter	74 mm		
Height	49.05 mm		
Style	Round		
Optic Material	PC		
Holder Material	PC		
Fastening	Screw		
Status	Ready		



Ordering number CN12639_LENINA-M

Family	Lenina	FWHM	28 degrees
Type	Reflector	Efficiency	85 %
LED	CXA2011	cd/lm	-
Color	Metal	Gerber File	Available
Diameter	74 mm		
Height	46.95 mm		
Style	Round		
Optic Material	PC		
Holder Material	PC		
Fastening	Screw		
Status	Ready		



Ordering number CN12642_LENINA-M-DL

Family	Lenina	FWHM	33 degrees
Type	Reflector	Efficiency	77 %
LED	CXA2011	cd/lm	-
Color	Metal	Gerber File	Available
Diameter	74 mm		
Height	49.05 mm		
Style	Round		
Optic Material	PC		
Holder Material	PC		
Fastening	Screw		
Status	Ready		



Ordering number CN12640_LENINA-W

Family	Lenina	FWHM	50 degrees
Type	Reflector	Efficiency	86 %
LED	CXA2011	cd/lm	-
Color	Metal	Gerber File	Available
Diameter	74 mm		
Height	46.95 mm		
Style	Round		
Optic Material	PC		
Holder Material	PC		
Fastening	Screw		
Status	Ready		



Ordering number CN12643_LENINA-W-DL

Family	Lenina	FWHM	52 degrees
Type	Reflector	Efficiency	78 %
LED	CXA2011	cd/lm	-
Color	Metal	Gerber File	Available
Diameter	74 mm		
Height	49.05 mm		
Style	Round		
Optic Material	PC		
Holder Material	PC		
Fastening	Screw		
Status	Ready		

NOTE: The typical divergence will be changed by different color, chip size and chip position tolerance. The typical total divergence is the full angle measured where the luminous intensity is half of the peak value.



PRODUCT DATASHEET

Lenina series

last update 29/5/2012



GENERAL INFORMATION

- Product series especially designed & optimized for CXA2011 series of LEDs.
- Special care taken to make light distribution as uniform as possible.
- Reflector is made of aluminium coated PC (120 degrees of Celcius / 248 degrees of Fahrenheit) with protective lacquer (110 degrees of Celcius / 230 degrees of Fahrenheit).
- Optic holder molded by high quality PC material (120 dergees of Celcius / 248 degrees of Fahrenheit).

D C B A

4

4

3

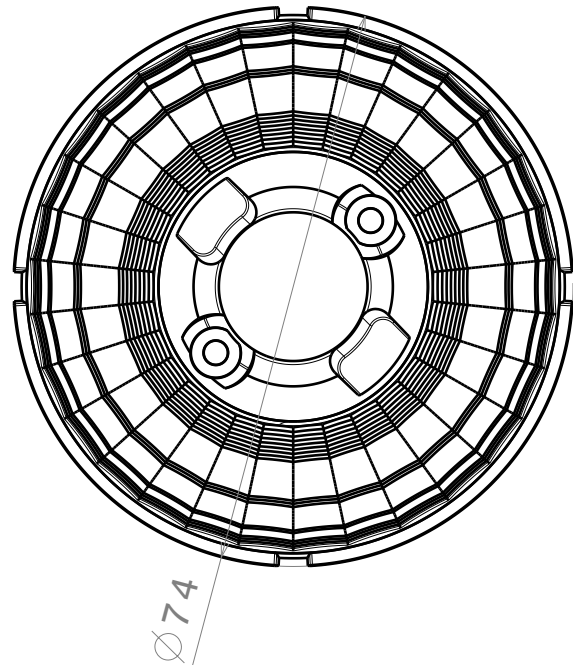
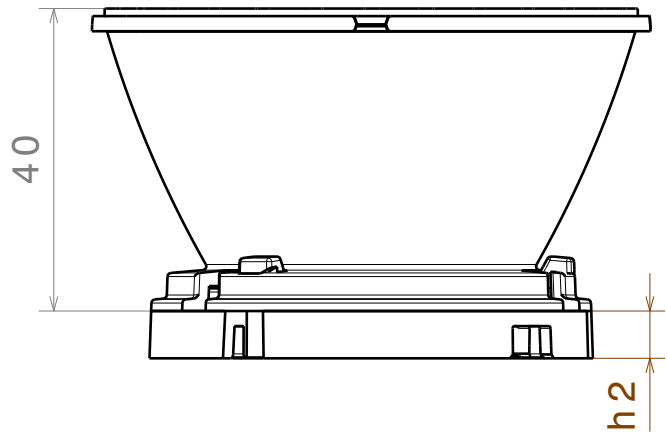
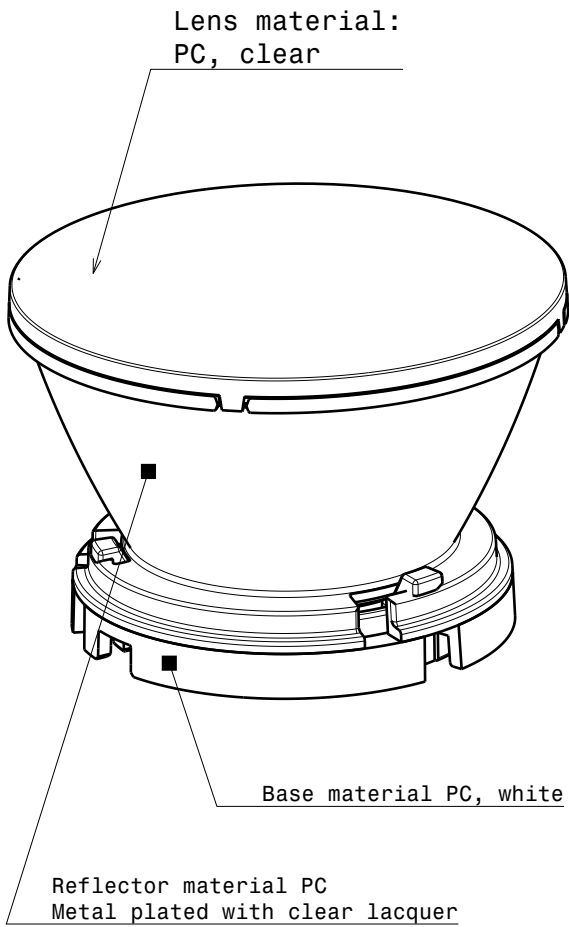
3

2

2

1

1



NOTE:

Using optional sublens, add 2.1mm to the system height

Dimension 'h2' varies from 4.5mm to 7mm depending on the LED specific base part

This drawing is our property. It can't be reproduced or communicated without our written agreement.



Ledil Oy
Salorankatu 10
FIN-24240 SALO
Finland

DRAWING TITLE

Datasheet Lenina series

DRAWN BY pl		DATE 08.03.2012		SIZE A4			DRAWING NUMBER --		REV 1	
CHECKED BY		DATE							SHEET 1 / 1	
DESIGNED BY pl		DATE 08.03.2012		SCALE 1 : 1		WEIGHT (g)				

D

A