

PLEASE CHECK WWW.MOLEX.COM FOR LATEST PART INFORMATION

Part Number: [0399700305](#)
Status: **Active**
Description: 10.16mm (.400") Beau™ Eurostyle™ Fixed Mount PCB Terminal Block, High Power 40A, 5 Circuits

Documents:

[3D Model](#) [RoHS Certificate of Compliance \(PDF\)](#)
[Drawing \(PDF\)](#)

Agency Certification

UL E48521

General

| | |
|----------------|------------------------|
| Product Family | Terminal Blocks |
| Series | 39970 |
| Application | Wire-to-Board |
| Component Type | One Piece |
| Product Name | Eurostyle™ Fixed Mount |
| Type | Euro Block |

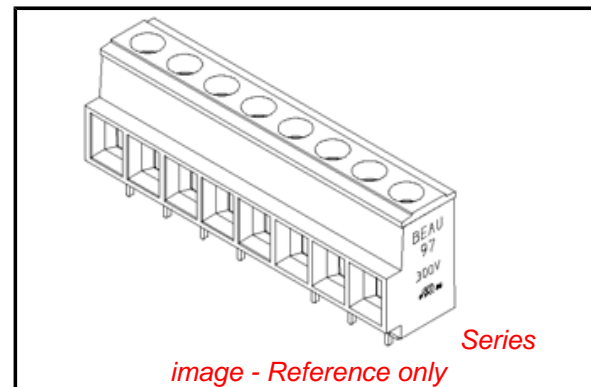
Physical

| | |
|--------------------------------|--------------------------|
| Circuits (Loaded) | 5 |
| Circuits (maximum) | 5 |
| Entry Angle | Horizontal |
| Flammability | 94V-0 |
| Lock to Mating Part | None |
| Material - Metal | Brass, Copper |
| Material - Plating Mating | Tin |
| Material - Plating Termination | Tin |
| Number of Rows | 1 |
| Orientation | Vertical |
| PC Tail Length (in) | 0.160 In |
| PC Tail Length (mm) | 4.06 mm |
| PCB Retention | None |
| Panel Mount | No |
| Pitch - Mating Interface (in) | 0.400 In |
| Pitch - Mating Interface (mm) | 10.16 mm |
| Pitch - Term. Interface (in) | 0.400 In |
| Pitch - Term. Interface (mm) | 10.16 mm |
| Plating min: Mating (µin) | 150 |
| Plating min: Mating (µm) | 3.8 |
| Plating min: Termination (µin) | 150 |
| Plating min: Termination (µm) | 3.8 |
| Polarized to Mating Part | N/A |
| Shrouded | Fully |
| Stackable | No |
| Surface Mount Compatible (SMC) | No |
| Temperature Range - Operating | 130°C |
| Termination Interface: Style | Through Hole |
| Wire Size AWG | 10, 12, 14, 16, 18, 6, 8 |
| Wire Size mm² | 0.75 - 6.0 |

Electrical

| | |
|-------------------------------|------|
| Current - Maximum per Contact | 40A |
| Voltage - Maximum | 300V |

Material Info



EU RoHS

ELV and RoHS Compliant
REACH SVHC
 Not Reviewed
Halogen-Free Status
 Not Reviewed

China RoHS



Need more information on product environmental compliance?

Email productcompliance@molex.com
 For a multiple part number RoHS Certificate of Compliance, [click here](#)

Please visit the [Contact Us](#) section for any non-product compliance questions.

Search Parts in this Series

[39970Series](#)

Mates With

N/A

Old Part Number

973505

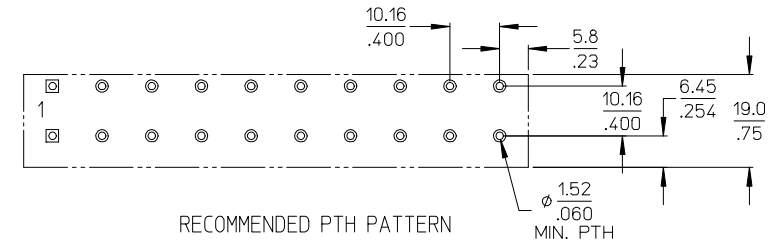
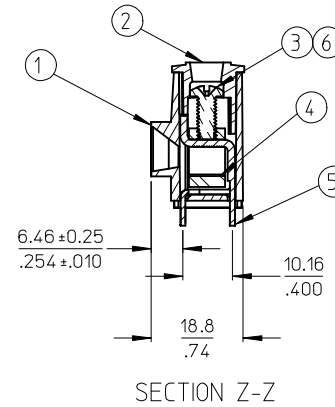
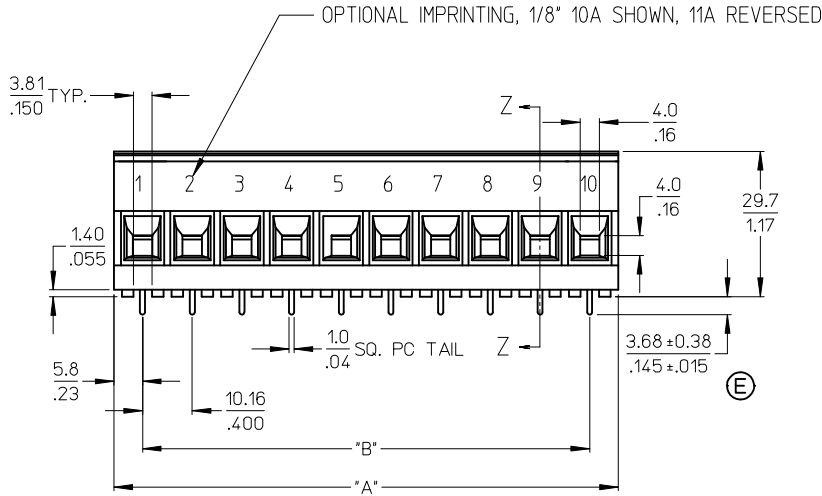
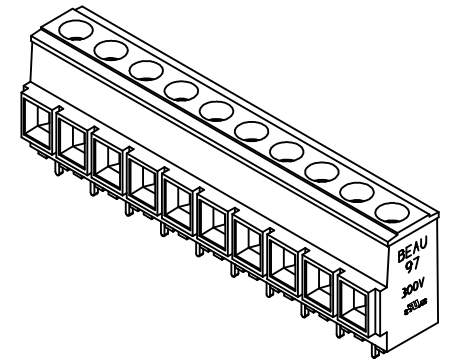
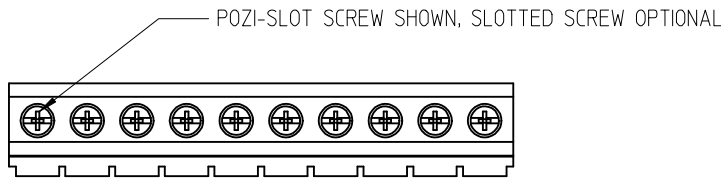
Reference - Drawing Numbers

Sales Drawing

SD-39970-004

This document was generated on 05/14/2010

PLEASE CHECK WWW.MOLEX.COM FOR LATEST PART INFORMATION



NOTES:

1. MATERIAL: SEE TABLE.
2. FINISHES: SEE TABLE.
3. PRODUCT SPECIFICATION: NOT REQUIRED.
4. ALL FEATURES ARE TYPICAL UNLESS OTHERWISE NOTED.
5. PART IS DESIGNED TO MEET UL 1059 CLASS C 300V, 40A.
6. "XX" REFERS TO NUMBER OF CIRCUITS.
7. ASSEMBLY IS ROHS COMPLIANT.

| | | | | |
|------|------|---------------------------|-----------------|--------------|
| 6 | XX | SCREW, M4 X 0.7 SLOTTED | BRONZE | TIN PLATE |
| 5 | XX | TERMINAL | COPPER | TIN PLATE |
| 4 | XX | CAGE | BRASS | NICKEL PLATE |
| 3 | XX | SCREW, M4 X 0.7 POZI-SLOT | BRONZE | TIN PLATE |
| 2 | 1 | COVER | POLYESTER (PBT) | BLACK |
| 1 | 1 | BODY | POLYESTER (PBT) | BLACK |
| ITEM | QTY. | DESCRIPTION | MATERIAL | FINISH |

| | |
|--------------------------|-------------|
| UPDATE TERM. HEIGHT DIM. | DESCRIPTION |
| EC NO: WNA2009-0445 | 2009/07/01 |
| DRWN: JENC INAS | 2009/07/02 |
| CHKD: CYORK | |
| APPR: JIMAGNE II | |

| | |
|-----------------|-------------|
| QUALITY SYMBOLS | DESCRIPTION |
| ▽=0 | |
| ▽7=0 | |

| |
|--|
| GENERAL TOLERANCES (UNLESS SPECIFIED) |
| 4 PLACES ± --- ± --- |
| 3 PLACES ± --- ± .005 |
| 2 PLACES ± 0.13 ± .01 |
| 1 PLACE ± 0.3 ± --- |
| ANGULAR ± 2 ° |
| DRAFT WHERE APPLICABLE MUST REMAIN WITHIN DIMENSIONS |

| | | | |
|-----------------|------------|-------------------------|------------------------|
| DIMENSION STYLE | SCALE | DESIGN UNITS | THIRD ANGLE PROJECTION |
| MM/IN | 1:1 | INCH | |
| DRAWN BY | DATE | TITLE | |
| R. STONE | 2002/09/13 | 10.16MM/.400 SINGLE ROW | |
| CHECKED BY | DATE | BTS ASSY, 8 AWG, | |
| R. KEMP | 2002/09/13 | 300V 40A | |
| APPROVED BY | DATE | MATERIAL NO. | |
| L. ROTHMAUS | 2002/09/27 | SEE CHART | |

| | | |
|---|--------------|-----------|
| MOLEX INCORPORATED | DOCUMENT NO. | SHEET NO. |
| | SD-39970-004 | 1 OF 2 |
| THIS DRAWING CONTAINS INFORMATION THAT IS PROPRIETARY TO MOLEX INCORPORATED AND SHOULD NOT BE USED WITHOUT WRITTEN PERMISSION | | |

| STD MATERIAL NUMBER | OPTIONAL 10A IMPRINT | OPTIONAL 11A IMPRINT | OPTIONAL SLOTTED SCREW | OPTIONAL SLOTTED SCREW W/10A IMPRINT | OPTIONAL SLOTTED SCREW W/11A IMPRINT | NUMBER OF CIRCUITS | "A" DIM. | "B" DIM. |
|---------------------|----------------------|----------------------|------------------------|--------------------------------------|--------------------------------------|--------------------|---------------|----------------|
| 399700302 | 399720302 | 399730302 | 399700502 | 399720502 | 399730502 | 2 | 21.84 [.86] | 10.16 [.400] |
| 399700303 | 399720303 | 399730303 | 399700503 | 399720503 | 399730503 | 3 | 32.00 [1.26] | 20.32 [.800] |
| 399700304 | 399720304 | 399730304 | 399700504 | 399720504 | 399730504 | 4 | 42.16 [1.66] | 30.48 [1.200] |
| 399700305 | 399720305 | 399730305 | 399700505 | 399720505 | 399730505 | 5 | 52.32 [2.06] | 40.64 [1.600] |
| 399700306 | 399720306 | 399730306 | 399700506 | 399720506 | 399730506 | 6 | 62.48 [2.46] | 50.80 [2.000] |
| 399700307 | 399720307 | 399730307 | 399700507 | 399720507 | 399730507 | 7 | 72.64 [2.86] | 60.96 [2.400] |
| 399700308 | 399720308 | 399730308 | 399700508 | 399720508 | 399730508 | 8 | 82.80 [3.26] | 71.12 [2.800] |
| 399700309 | 399720309 | 399730309 | 399700509 | 399720509 | 399730509 | 9 | 92.96 [3.66] | 81.28 [3.200] |
| 399700310 | 399720310 | 399730310 | 399700510 | 399720510 | 399730510 | 10 | 103.12 [4.06] | 91.44 [3.600] |
| 399700311 | 399720311 | 399730311 | 399700511 | 399720511 | 399730511 | 11 | 113.28 [4.46] | 101.60 [4.000] |
| 399700312 | 399720312 | 399730312 | 399700512 | 399720512 | 399730512 | 12 | 123.44 [4.86] | 111.76 [4.400] |
| 399700313 | 399720313 | 399730313 | 399700513 | 399720513 | 399730513 | 13 | 133.60 [5.26] | 121.92 [4.800] |
| 399700314 | 399720314 | 399730314 | 399700514 | 399720514 | 399730514 | 14 | 143.76 [5.66] | 132.08 [5.200] |

| | | | | | | |
|---|-----------------|--|-----------------|---|--------------|---|
| SEE SHEET ONE EC NO: WNA2009-0445 DRAWN: JENC INAS 2009/07/01 CHKD: CYORK 2009/07/02 APPR: JMACNE IL 2009/07/02 | QUALITY SYMBOLS | GENERAL TOLERANCES (UNLESS SPECIFIED) | DIMENSION STYLE | SCALE | DESIGN UNITS | THIRD ANGLE PROJECTION 10.16MM/.400 SINGLE ROW BTS ASSY, 8 AWG, 300V 40A MOLEX INCORPORATED SD-39970-004 SHEET NO. 2 OF 2 |
| | ▽=0 ▽=0 | mm | MM/IN | 1:1 | INCH | |
| | | INCH | | | | |
| | | DRAFT WHERE APPLICABLE MUST REMAIN WITHIN DIMENSIONS | | DRAWN BY DATE GHR 2000/02/09 CHECKED BY DATE R. KEMP 2000/06/05 APPROVED BY DATE L. ROTHHAUS 2000/02/09 | | |
| SEE CHART MATERIAL NO. | ANGULAR ± 2 ° | SEE CHART | DOCUMENT NO. | THIS DRAWING CONTAINS INFORMATION THAT IS PROPRIETARY TO MOLEX INCORPORATED AND SHOULD NOT BE USED WITHOUT WRITTEN PERMISSION | | |