

SAFETY ORGANIZATIONS

THIS FILTER HAS BEEN FORMALLY RECOGNIZED, CERTIFIED OR APPROVED BY THE LISTED AGENCY. THEREFORE, ALL TEST/REQUIREMENTS SPECIFIED IN THE LATEST REVISION OF THE FOLLOWING AGENCY STANDARDS HAVE BEEN MET:

UL RECOGNIZED: UL 1283
 CSA CERTIFIED: CSA C22.2, NO. 8
 TUV LICENSED: EN 60950

OPERATING SPECIFICATIONS

LINE CURRENT/VOLTAGE: 60 AMP, 150 VDC 55°C (UL & CSA)
 60 AMP, 120 VDC 55°C (TUV)

LINE FREQUENCY: 0 Hz

MAXIMUM LEAKAGE CURRENT,
 EACH LINE TO GROUND: NOT APPLICABLE

OPERATING AMBIENT TEMP. RANGE: -10°C TO +55°C @ RATED CURRENT, I_r.

IN AN AMBIENT, T_a, HIGHER THAN 40°C, THE MAXIMUM OPERATING CURRENT, I_o, IS AS FOLLOWS:

$$I_o = I_r \sqrt{\frac{100 - T_a}{45}}$$

RELIABILITY SPECIFICATIONS:

STORAGE TEMPERATURE: -40°C TO +85°C
 HUMIDITY: 21 DAYS @ 40°C 95% RH,
 CURRENT OVERLOAD TEST: 6 TIMES I_r FOR 8 SECONDS

TEST SPECIFICATIONS:

INDUCTANCE: 0.026 mH NOMINAL
 CAPACITANCE: (MEASURED @ 1KHz, 0.250VAC MAX., 25°C±1°C)
 LINE TO GROUND: 0.0066 μF ±20%
 LINE TO LINE: 0.1 μF ±20%
 DISCHARGE RESISTOR: 165k Ω
 L/G AND L/L I.R.
 NO DISCHARGE RESISTOR: 6000Ω (MIN.) @ 100VDC, 20°C AND 50% RH

RECOMMENDED RECEIVING INSPECTION HIPOT:

LINE TO GROUND: 2121 VDC FOR 1 MINUTE
 LINE TO LINE: 1768 VDC FOR 1 MINUTE

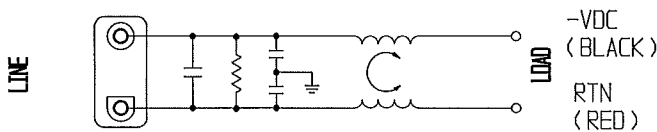
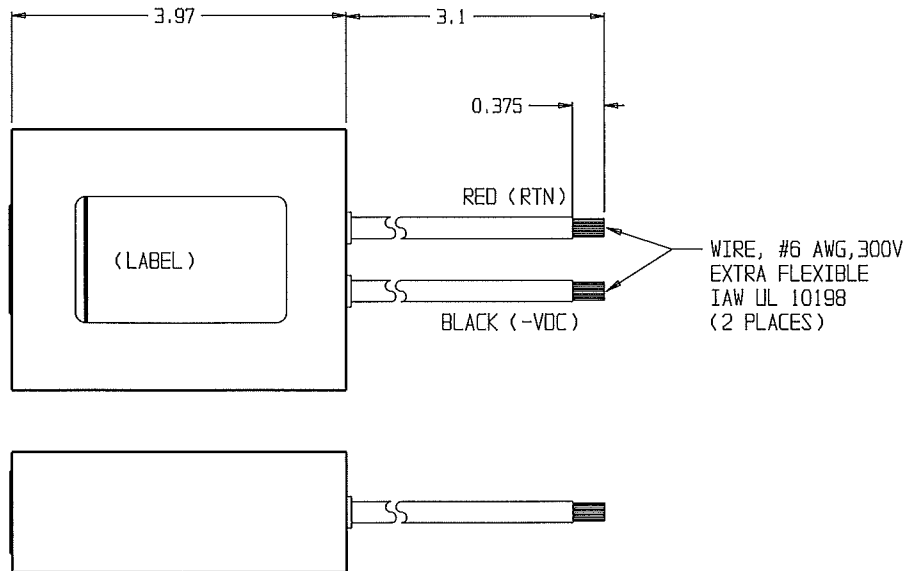
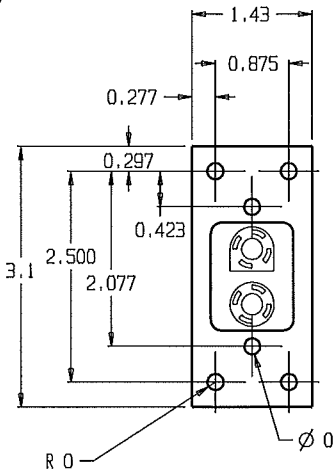
FILTER APPROVAL:

THE BEST WAY TO SELECT AND QUALIFY A FILTER IS FOR YOUR ENGINEERING TO TEST THE UNIT IN YOUR EQUIPMENT.

CUSTOMER DRAWING

CATALOG # 60DB8

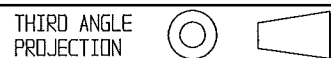
EC #	APPRD.	DATE
09-022309	<i>[Signature]</i>	02OCT09



NOTE

NOT RECOMMENDED FOR HOT SWAP APPLICATIONS
 NOT RECOMMENDED FOR CURRENT INTERRUPTING

50Ω - 50Ω (MINIMUM) INSERTION LOSS



UNLESS OTHERWISE SPECIFIED,
 TOLERANCE TO BE ±.025
 MATERIAL & FINISH: AS SUPPLIED

THIS INFORMATION IS CONFIDENTIAL AND PROPRIETARY TO TYCO ELECTRONICS CORPORATION AND ITS WORLDWIDE SUBSIDIARIES AND AFFILIATES. IT MAY NOT BE DISCLOSED TO ANYONE OTHER THAN TYCO ELECTRONICS PERSONNEL, WITHOUT WRITTEN AUTHORIZATION FROM TYCO ELECTRONICS CORPORATION, HARRISBURG, PENNSYLVANIA USA



Tyco Electronics

CORCIN PRODUCTS, 620 S. BUTTERFIELD RD. HUNDELEIN IL 60060

POWER LINE FILTER

FREQUENCY MHz	.05	.10	.15	0.5	1.0	3.0	5.0	10	20	30
COMMON dB	2	7	10	23	30	48	38	28	20	16
DIFF. dB	20	26	29	43	53	30	30	24	20	18

TYCO ELECTRONICS : 4-1609075-4		
SCALE: NTS	DATE: 13MAR06	CATALOG NO.
DRW. BY: PJD	DRIG: PJD	60DB8
		REV. 5