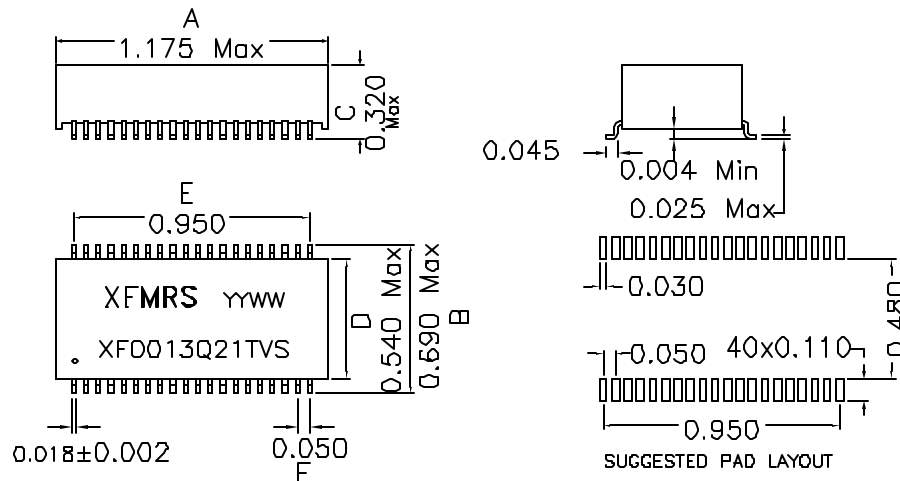
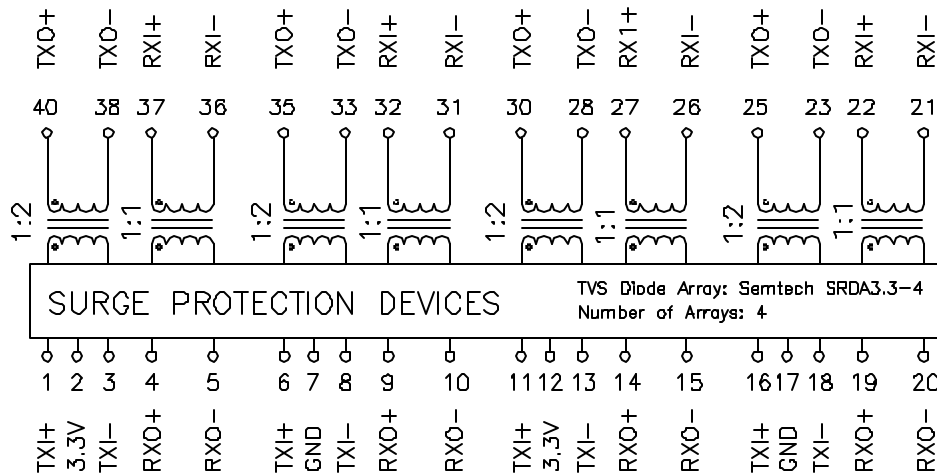


1. Mechanical Dimensions:



2. Schematic:



DOC REV: A/5

3. Electrical Specifications: @25°C

Isolation: 1500Vrms, PRI to SEC

TX Turns Ratio: 1:2 (PRI:SEC)

RCV Turns Ratio: 1:1 (PRI:SEC)

TX PRI OCL: 1.20mH Minimum @10KHz 50mV

RCV PRI OCL: 1.20mH Minimum @10KHz 50mV

TX PRI LL: 0.3uH Maximum @1MHz 50mV,
Short SEC

RCV PRI LL: 0.5uH Maximum @1MHz 50mV,
Short SEC

TX PRI DCR: 0.60 Ohms Maximum

TX SEC DCR: 1.20 Ohms Maximum

RCV PRI & SEC DCR: 0.60 Ohms Maximum

CW/W: 35pF Maximum @100KHz 50mV (PRI/SEC)

RETURN LOSS: TX 19dB Typ RCV 30dB Typ @102KHz, 25°C

TX 18dB Min RCV 19dB Min @102KHz, -40 to +85°C

Terminated in 23.2 Ohms for TX and 120 Ohms for RCV

Notes:

- Solderability: Leads shall meet MIL-STD-202G, Method 208H for solderability.
- Flammability: UL94V-0
- ASTM oxygen index: > 28%
- Insulation System: Class F 155°C. UL file E151556
- Operating Temperature Range: All listed parameters are to be within tolerance from -40°C to +85°C
- Storage Temperature Range: -55°C to +125°C
- Aqueous wash compatible
- SMD Lead Coplanarity: ±0.004*(0.102mm)
- Electrical and mechanical specifications 100% tested
- RoHS Compliant Component(Max IR reflow 235°C)

XFMRS Inc www.XFMRS.com	Title: T1/E1/CEPT QUAD PORT		
	UNLESS OTHERWISE SPECIFIED TOLERANCES: .xxx ±0.010	P/N: XFD013Q21TVS	REV. A
Dimensions in INCH	DWN.	Juan Mao	Mar-14-08
SHEET 1 OF 1	CHK.	YK Liao	Mar-14-08
	APP.	BW	Mar-14-08

PROPRIETARY Document is the property of XFMRS Group & is not allowed to be duplicated without authorization.