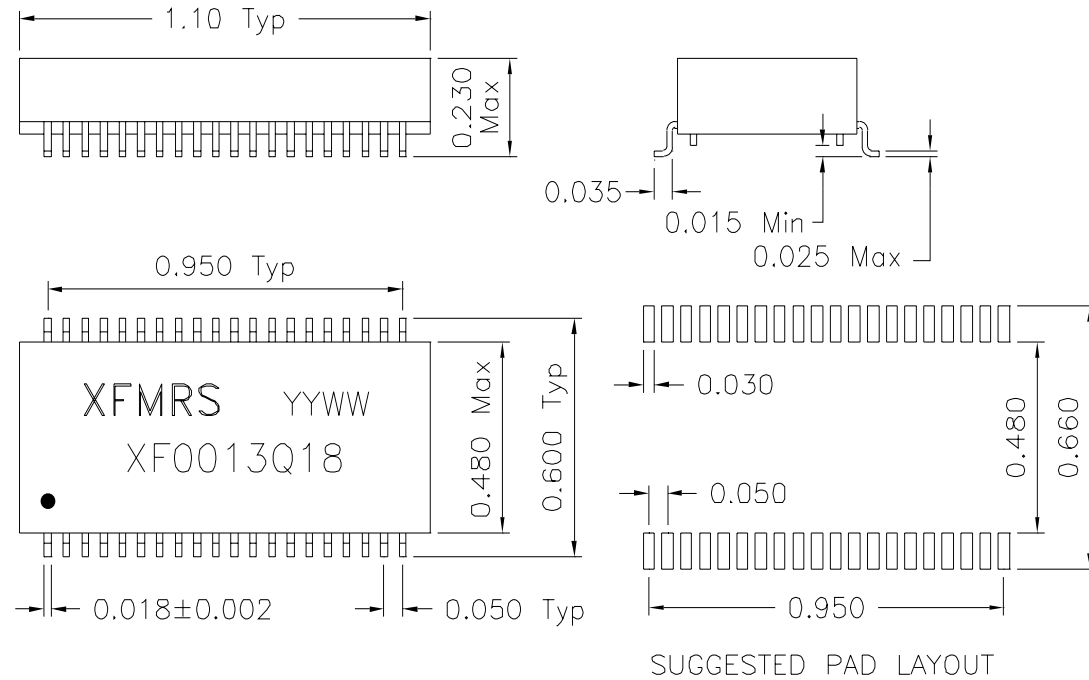


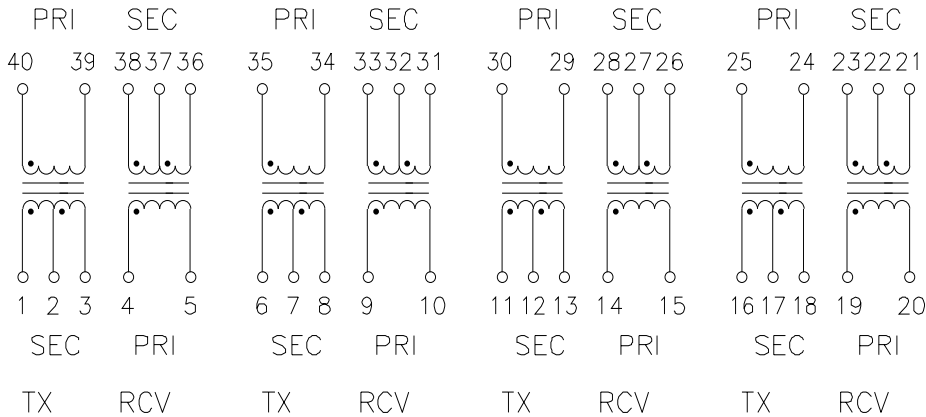
1. Dimensions:



3. Electrical Specifications: @25°C

- Isolation: 1500 Vrms (PRI to SEC)
- TX Turns Ratio: 1:1.36CT ±3% (PRI:SEC)
- RCV Turns Ratio: 1:1CT ±3% (PRI:SEC)
- TX PRI OCL: 1.20mH Minimum @100KHz 50mV
- RCV PRI OCL: 1.20mH Minimum @100KHz 50mV
- Cw/w: 35pF Maximum @100KHz 50mV (PRI/SEC)
- TX PRI LL: 0.6uH Maximum @100KHz 50mV (SEC Shorted)
- RCV PRI LL: 0.6uH Maximum @100KHz 50mV (SEC Shorted)

2. Schematic:



DOC. REV A/1

XFMRS Inc	Title: T1/E1/CEPT QUAD PORT	
	UNLESS OTHERWISE SPECIFIED	P/N: XFO013Q18
	TOLERANCES: .xxx ±0.010	REV. A
	Dimensions in INCH	DWN. 李清儿 Jun-25-99
	CHK. 孙小悦 Jun-25-99	
SHEET 1 OF 1	APP. Joe Huff	Oct-13-99