

PLEASE CHECK WWW.MOLEX.COM FOR LATEST PART INFORMATION

Part Number: **0685060414**
Status: **Active**
Description: 6.35mm (.250") Tab Micro Relay Socket, Female, 4 Circuits

Documents:

[3D Model](#) [Product Specification PS-68506-001 \(PDF\)](#)
[Drawing \(PDF\)](#) [RoHS Certificate of Compliance \(PDF\)](#)

General

Product Family	Other Sockets
Series	68506
Component Type	Socket
Product Name	N/A

Physical

Circuits (Loaded)	4
Circuits (maximum)	4
Color - Resin	Black, Blue
Durability (mating cycles max)	Contact Molex
Entry Angle	Vertical
Keying to Mating Part	N/A
Material - Resin	Polyester
PCB Locator	No
PCB Retention	N/A
Packaging Type	Bag
Pitch - Mating Interface (in)	0.236 In, 0.315 In
Pitch - Mating Interface (mm)	6.00 mm, 8.00 mm
Pitch - Term. Interface (in)	0.236 In, 0.315 In
Pitch - Term. Interface (mm)	6.00 mm, 8.00 mm
Temperature Range - Operating	-40°C to +120°C

Electrical

Current - Maximum per Contact	3A
Voltage - Maximum	N/A

Material Info

Reference - Drawing Numbers

Product Specification	PS-68506-001
Sales Drawing	SD-68506-002

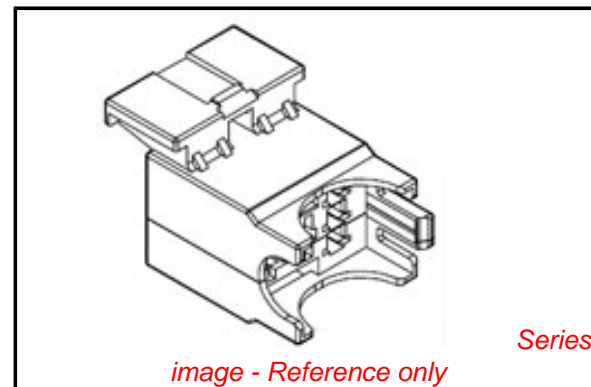


image - Reference only

EU RoHS

**ELV and RoHS
Compliant**
REACH SVHC
 Not Reviewed
**Halogen-Free
Status**

China RoHS



**Need more information on product
environmental compliance?**

Email productcompliance@molex.com
 For a multiple part number RoHS Certificate of
 Compliance, [click here](#)

Please visit the [Contact Us](#) section for any
 non-product compliance questions.

Search Parts in this Series

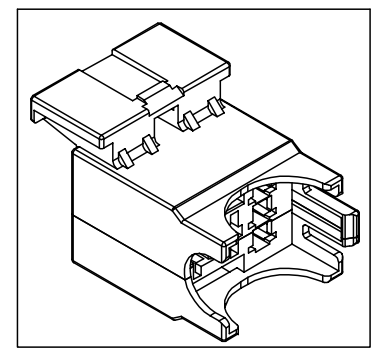
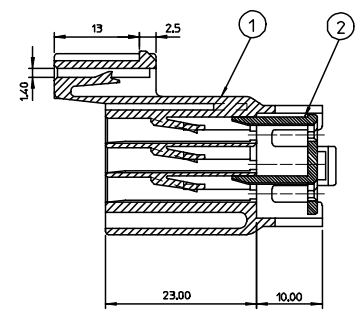
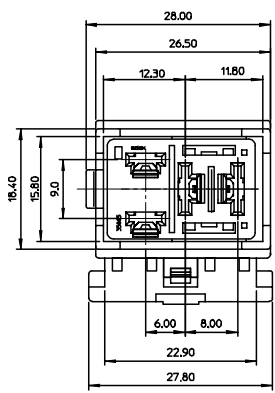
68506Series

Use With

35427 6.00mm (.236") Tab Wire-to-Wire
 Terminal

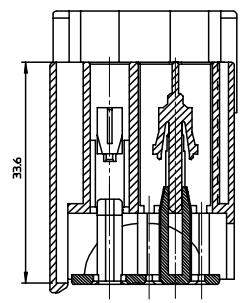
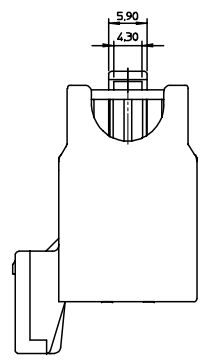
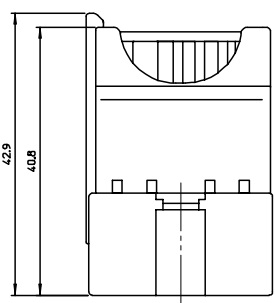
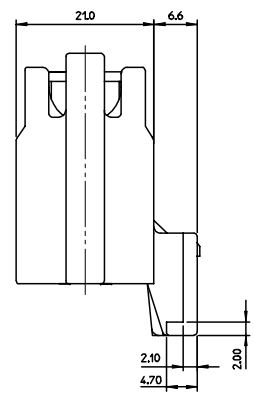
DWG. NO. SD-68506-002
 PROJECT NO.
 SIMILAR ITEM
 DO NOT SCALE DRAWING
 DIMENSION IN METRIC

12 11 10 9 8 7 6 5 4 3 2 1

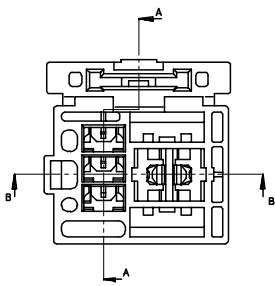


Section A-A

ISOVIEW



Section B-B



<NOTE>

1. MATERIAL & FINISH : SEE TABLE

NO.	PART NO.	PART NAME	MATERIAL	REMARK
1	68506-0594	MICRO RELAY HSG-5P	POLYESTER	BLUE
2	35865-0481	MICRO RELAY TPA-4P	POLYESTER	BLACK

ADDED REV ECN NO. KOR2007-0062 DRAWN H.J.SONG 06/12/05 CHR. B.CHOON 06/12/05 APPR. E.SUNGS	QUALITY SYMBOLS MAJOR \blacktriangledown 0 CRITICAL ∇ 0 MINOR ∇ 0	GENERAL TOLERANCES: (UNLESS SPECIFIED) m/m INCH	SCALE 2:1	DESIGN UNITS <input checked="" type="checkbox"/> m/m <input type="checkbox"/> INCH	DIMENSIONS <input type="checkbox"/> m/m <input type="checkbox"/> INCH <input type="checkbox"/> mm ONLY	THRO ANGLE <input type="checkbox"/> PROJECTION	SHT CAD ONLY	REV REVISE ON CAD ONLY
		4 PLACES ± 0.1 \pm 3 PLACES ± 0.2 \pm 2 PLACES ± 0.3 \pm 1 PLACE ± 0.4 \pm	DRAWN BY & DATE S.M.KIM 02/01/18 CHECKED BY & DATE H.C.RHO 01/01/18 APPROVED BY & DATE C.W.LEE 02/01/18	TITLE MICRO RELAY SOCKET-4P ASSY	MOLEX INCORPORATED	MATERIAL NO. SEE TABLE	DRAWING NO. SD-68506-002	SHEET NO. 1/1

NO.	685060414	68506-0414
	MATERIAL NO.	ENG. NO.

12 11 10 9 8 7 6 5 4 3 2 1 KOREA MX-A2