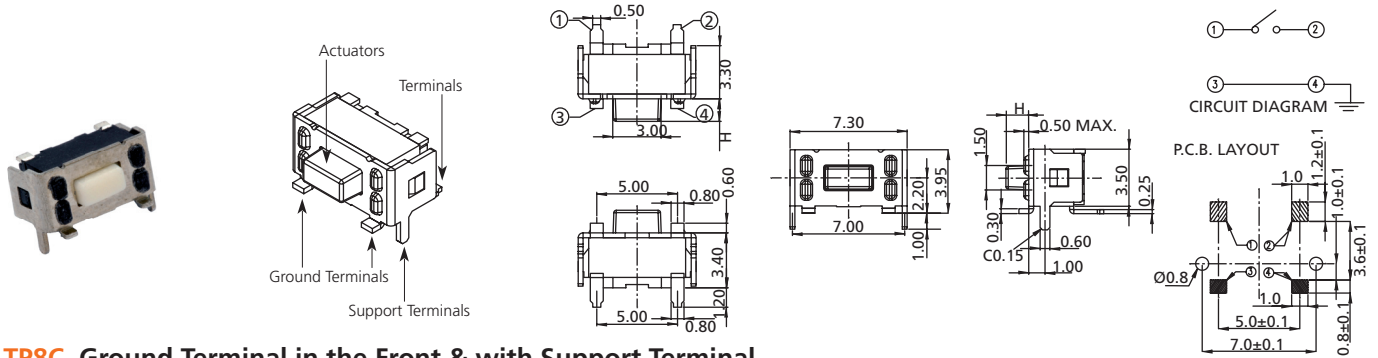
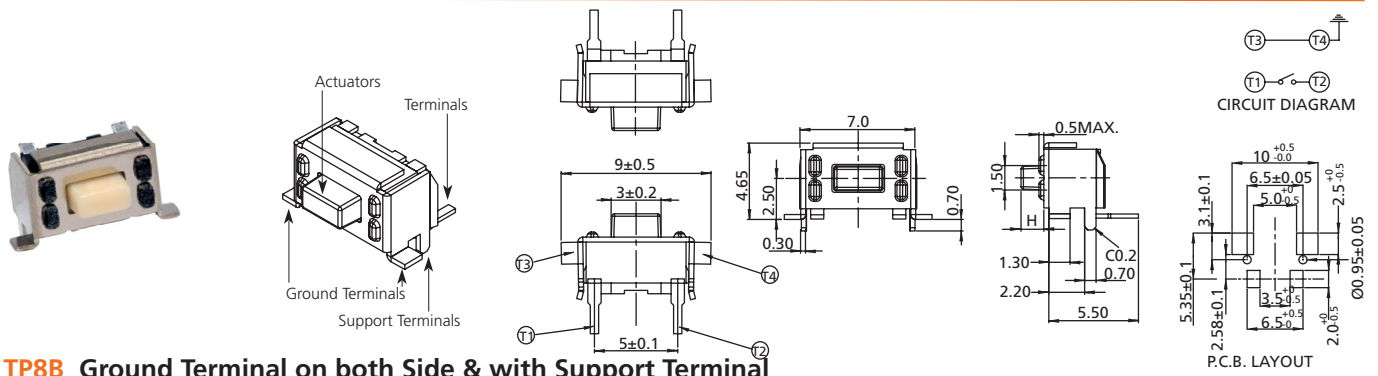


Tactile Switches

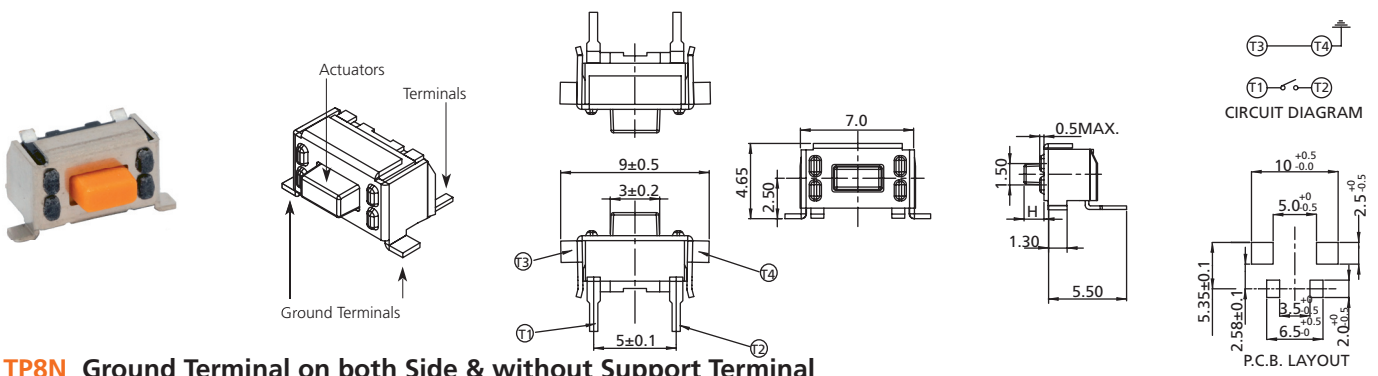
3.5 x 7 mm SMT Tactile Switches with Ground Terminal TP8 Series



TP8C Ground Terminal in the Front & with Support Terminal



TP8B Ground Terminal on both Side & with Support Terminal



TP8N Ground Terminal on both Side & without Support Terminal

How to order:

TP8

1 GROUND TERMINAL & SUPPORT TERMINAL:

- C** Ground Terminal in the Front & with Support Terminal
- B** Ground Terminal on both Side & with Support Terminal
- N** Ground Terminal on both Side & without Support Terminal

2 DIMENSION H:

- 07** H = 0.7 mm
- 14** H = 1.4 mm

3 STEM COLOR & OPERATING FORCE:

- B** White & 160±50gf
- K** Brown & 160±50gf
- S** Salmon & 320±50gf

4 PACKAGE:

- TR** Tape & Reel

General Specifications:

FEATURES

- » Sharp click feel with a positive tactile feedback

MATERIALS

- » Contact Disc: Stainless steel with silver cladding
- » Terminal: Brass with silver plated

MECHANICAL

- » Stroke: 0.25 (+0.10/-0.20) mm
- » Operation Temperature: -25°C to +70°C
- » Storage Temperature: -30°C to +80°C

ELECTRICAL

- » Electrical Life: 50,000 cycles
- » Rating: 50mA, 12VDC
- » Contact Arrangement: 1 pole 1 throw

LEADFREE SOLDERING PROCESSES

Reflow Soldering: When applying reflow soldering, the peak temperature or the reflow oven should be set to 260°C 10 seconds max. for SMT.