

Customer Information Sheet

DRAWING No.: M52-515XX45

SHEET 2 OF 2

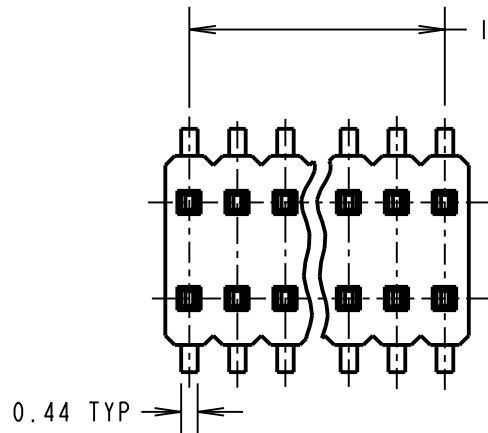
IF IN DOUBT - ASK

©

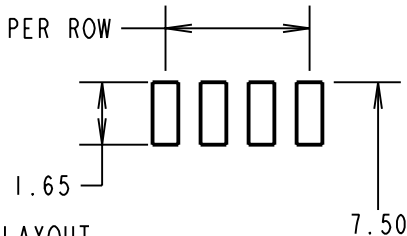
NOT TO SCALE

THIRD ANGLE PROJECTION

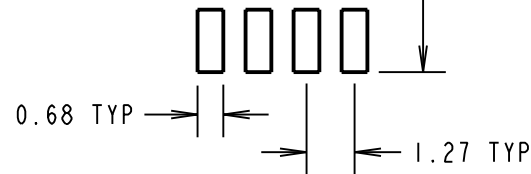
ALL DIMENSIONS IN mm



1.27 x No. OF PITCHES PER ROW



RECOMMENDED PCB LAYOUT
(PCB TOLERANCE ±0.05)



SPECIFICATIONS:

MATERIAL:

MOULDING = NYLON 6T UL94V-0, BLACK

CONTACT = PHOSPHOR BRONZE

FINISH:

CONTACT = GOLD

ELECTRICAL:

CURRENT RATING = 1A

VOLTAGE PROOF = 500V AC/DC

CONTACT RESISTANCE = 20 MILLIOHMS MAX

INSULATION RESISTANCE = 1,000 MEGOHMS MIN

ENVIRONMENTAL:

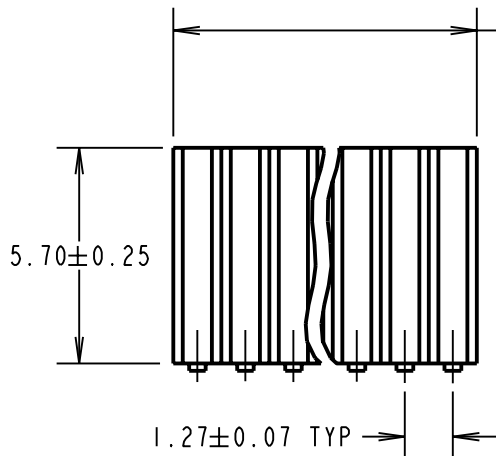
OPERATING TEMPERATURE = -40°C TO +105°C

PACKING:

TUBE

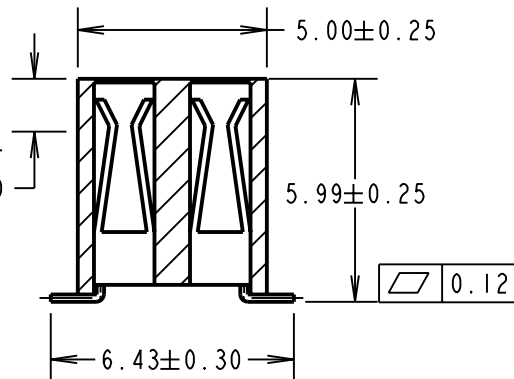
NOTES:

1. ALL TOLERANCES ARE ±0.20 UNLESS OTHERWISE STATED.



1.27 x No. OF WAYS PER ROW + 0.4 ±0.25

CONTACT POINT
1.40 ±0.10



ORDER CODE:

M52-515XX45

No. OF WAYS PER ROW
03 TO 50

FINISH: GOLD

CP	7	10.12.09	10603
NAME	ISS.	DATE	C/NOTE
APPROVED: C.PENROSE			
CHECKED: R.ADDE			
DRAWN: J. ENRIGHT			
CUSTOMER REF.:			
ASSEMBLY DRG:			

HARWIN

HARWIN USA
TEL: 603 893 5376
FAX: 603 893 5396
mis@harwin.com

HARWIN Europe (UK)
TEL: 023 9231 4545
FAX: 023 9231 4590
mis@harwin.co.uk

HARWIN Asia
TEL: +65 6 779 4909
FAX: +65 6 779 3868
mis@harwin.com.sg

THIS DRAWING AND ANY INFORMATION OR DESCRIPTIVE MATTER SET OUT HEREON ARE CONFIDENTIAL AND COPYRIGHT PROPERTY OF THE HARWIN GROUP AND MUST NOT BE DISCLOSED, LOANED, COPIED OR USED FOR MANUFACTURING, TENDERING OR FOR ANY OTHER PURPOSE WITHOUT THEIR WRITTEN PERMISSION.

TOLERANCES
~~X = ±1mm~~
~~X.X = ±0.25mm~~
~~X.XX = ±0.10mm~~
~~X.XXX = ±0.01mm~~
ANGLES = ±5°
UNLESS STATED

MATERIAL:
SEE ABOVE
FINISH: SEE ABOVE
S/AREA: mm²

TITLE:
1.27mm PITCH DIL
VERTICAL SMT SOCKET ASSY
DRAWING NUMBER:
M52-515XX45