

## APPLICATIONS

- ✓ Ethernet - 10 Base T
- ✓ Cellular Phones
- ✓ Handheld Electronics
- ✓ FireWire & USB Interfaces
- ✓ Multiple I/O Ports or Power Supplies

## IEC COMPATIBILITY (EN61000-4)

- ✓ 61000-4-2 (ESD): Air - 15kV, Contact - 8kV
- ✓ 61000-4-4 (EFT): 40A - 5/50ns
- ✓ 61000-4-5 (Surge): 12A, 8/20 $\mu$ s - Level 1(Line-Gnd) & Level 2(Line-Line)

## FEATURES

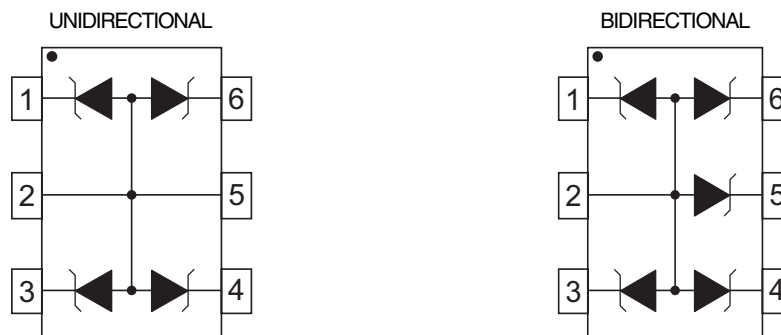
- ✓ 200 Watts Peak Pulse Power per Line (tp=8/20 $\mu$ s)
- ✓ Monolithic Design
- ✓ Available in Multiple Voltage Types Ranging From 5V to 24V
- ✓ Protect 4 Bidirectional Lines & 5 Unidirectional Lines
- ✓ ESD Protection > 25 kilovolts
- ✓ Low Clamping Voltage
- ✓ Unidirectional & Bidirectional Configurations
- ✓ Low Leakage Current
- ✓ RoHS Compliant

## MECHANICAL CHARACTERISTICS

- ✓ Molded JEDEC SOT-23-6 Package
- ✓ Weight 16 milligrams (Approximate)
- ✓ Available in Lead-Free Pure-Tin Plating(Annealed)
- ✓ Solder Reflow Temperature:  
Pure-Tin - Sn, 100: 260-270°C
- ✓ Consult Factory for Leaded Device Availability
- ✓ Flammability Rating UL 94V-0
- ✓ 8mm Tape and Reel Per EIA Standard 481
- ✓ Marking: Marking Code & Pin One Defined By DOT on Package


**SOT-23-6**

## PIN CONFIGURATIONS



# CP05 thru CP24C

## DEVICE CHARACTERISTICS

### MAXIMUM RATINGS @ 25°C Unless Otherwise Specified

PARAMETER	SYMBOL	VALUE	UNITS
Peak Pulse Power ( $t_p = 8/20\mu s$ ) - See Figure 1	$P_{PP}$	200	Watts
Operating Temperature	$T_L$	-55 to 150	°C
Storage Temperature	$T_{STG}$	-55 to 150	°C

### ELECTRICAL CHARACTERISTICS PER LINE @ 25°C Unless Otherwise Specified

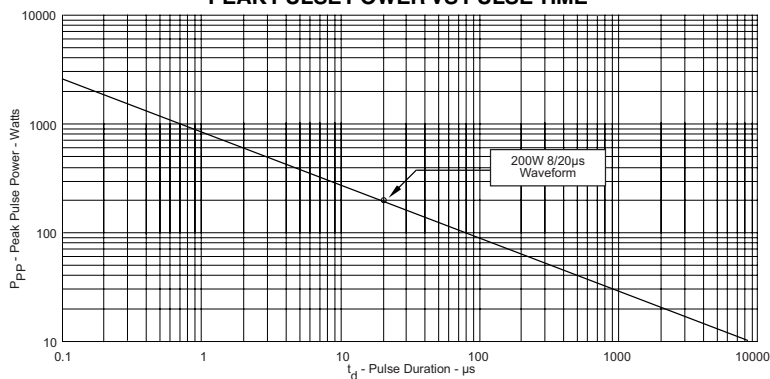
PART NUMBER (See Notes 1-3)	DEVICE MARKING	RATED STAND-OFF VOLTAGE  $V_{WM}$ VOLTS	MINIMUM BREAKDOWN VOLTAGE  @ 1mA $V_{(BR)}$ VOLTS	MAXIMUM CLAMPING VOLTAGE (See Fig. 2)  @ $I_p = 1A$ $V_C$ VOLTS	MAXIMUM CLAMPING VOLTAGE (See Fig. 2)  @ 8/20 $\mu s$ $V_C$ @ $I_{PP}$	MAXIMUM LEAKAGE CURRENT  @ $V_{WM}$ $I_b$ $\mu A$	TYPICAL CAPACITANCE  0V @ 1 MHz $C_j$ pF
CP05	QRH	5.0	6.0	9.8	11.8V @ 17.0A	20	70
CP05C	QRL	5.0	6.0	9.8	11.8V @ 17.0A	20	70
CP12	QRI	12.0	13.3	19	28.3V @ 7.0A	1	50
CP12C	QRM	12.0	13.3	19	28.3V @ 7.0A	1	50
CP15	QRJ	15.0	16.7	24	45.0V @ 5.0A	1	30
CP15C	QRN	15.0	16.7	24	45.0V @ 5.0A	1	30
CP24	QRK	24.0	26.7	43	65.0V @ 3.0A	1	25
CP24C	QRO	24.0	26.7	43	65.0V @ 3.0A	1	25

**Note 1:** Part numbers with an additional "C" suffix are bidirectional devices, i.e., CP05C.

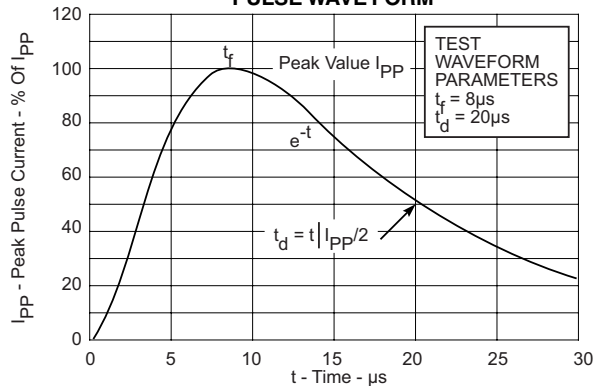
**Note 2:** *Unidirectional Only:* Test between pin 1, 3, 4 and 6 to pin 2 or 5.

**Note 3:** *Bidirectional Only:* Test between pin 5 to 1 or 3 or 4 or 6. Electrical characteristics apply in both directions.

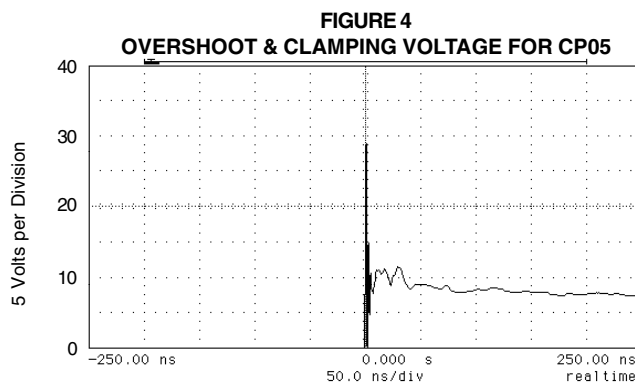
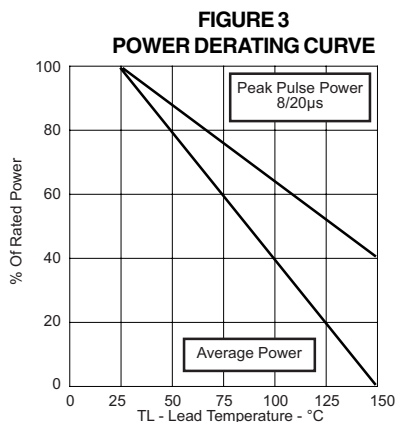
**FIGURE 1**  
PEAK PULSE POWER VS PULSE TIME



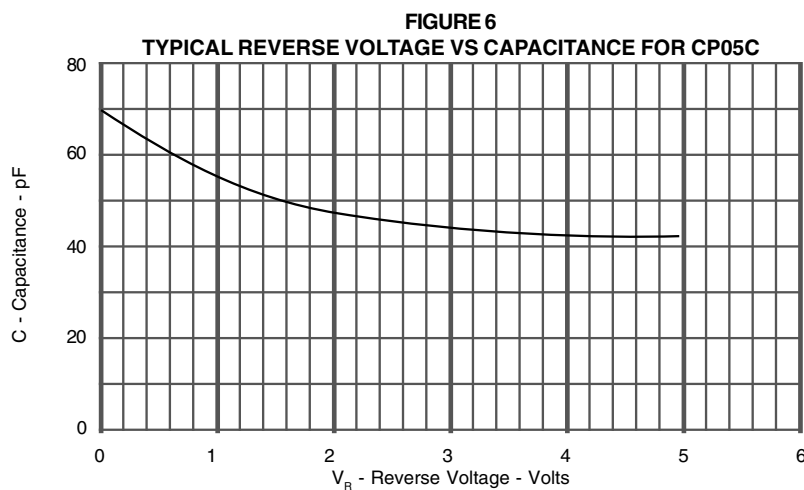
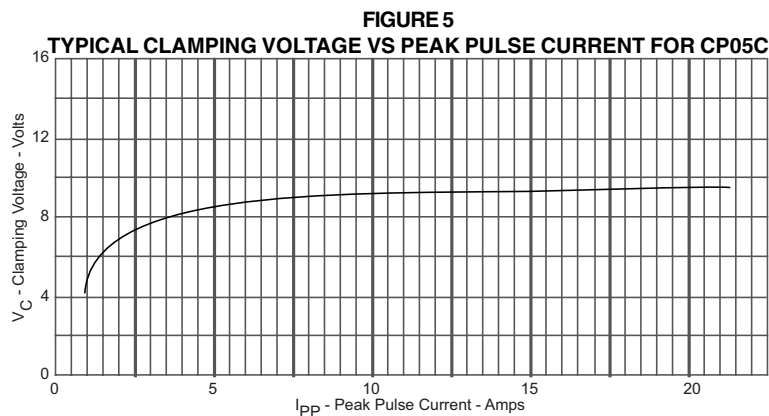
**FIGURE 2**  
PULSE WAVE FORM



## GRAPHS



ESD Test Pulse: 25 kilovolt, 1/30ns (waveshape)



## APPLICATION NOTE

The CP Series are TVS arrays designed to protect I/O or data lines from the damaging effects of ESD or EFT. This product series provides both unidirectional and bidirectional protection, with a surge capability of 200 Watts  $P_{PP}$  per line for an 8/20 $\mu$ s waveform and ESD protection > 25 kilovolts.

### UNIDIRECTIONAL COMMON-MODE CONFIGURATION (Figure 1)

The CP Series provides up to four (4) lines of protection in a common-mode configuration as depicted in Figure 1.

Circuit connectivity is as follows:

- ✓ Line 1 is connected to Pin 1.
- ✓ Line 2 is connected to Pin 3.
- ✓ Line 3 is connected to Pin 4.
- ✓ Line 4 is connected to Pin 6.
- ✓ Pin 5 is connected to ground.
- ✓ Pin 2 is not connected.

### BIDIRECTIONAL COMMON-MODE CONFIGURATION (Figure 2)

The CPxxC Series provides up to four (4) lines of protection in a common-mode configuration as depicted in Figure 2.

Circuit connectivity is as follows:

- ✓ Line 1 is connected to Pin 1.
- ✓ Line 2 is connected to Pin 3.
- ✓ Line 3 is connected to Pin 4.
- ✓ Line 4 is connected to Pin 5.
- ✓ Pin 6 is connected to ground.
- ✓ Pin 2 is not connected.

### CIRCUIT BOARD LAYOUT RECOMMENDATIONS

Circuit board layout is critical for Electromagnetic Compatibility (EMC) protection. The following guidelines are recommended:

- ✓ The protection device should be placed near the input terminals or connectors, the device will divert the transient current immediately before it can be coupled into the nearby traces.
- ✓ The path length between the TVS device and the protected line should be minimized.
- ✓ All conductive loops including power and ground loops should be minimized.
- ✓ The transient current return path to ground should be kept as short as possible to reduce parasitic inductance.
- ✓ Ground planes should be used whenever possible. For multilayer PCBs, use ground vias.

Figure 1 - Unidirectional Configuration  
Common-Mode I/O Port Protection

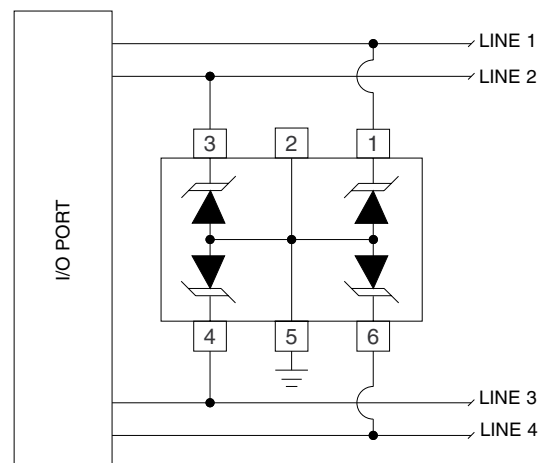
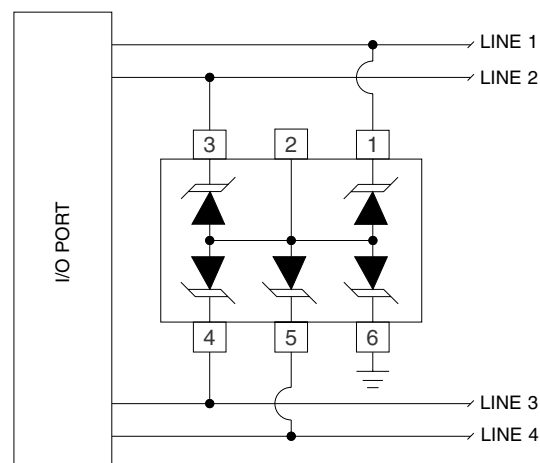
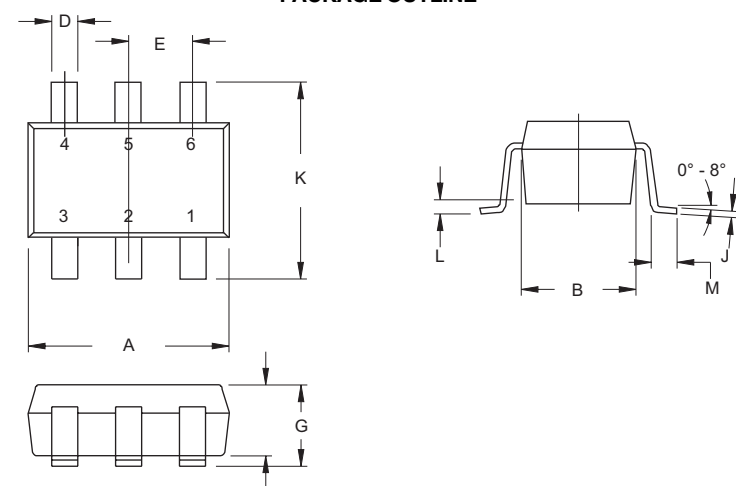



Figure 2 - Bidirectional Configuration  
Common-Mode I/O Port Protection



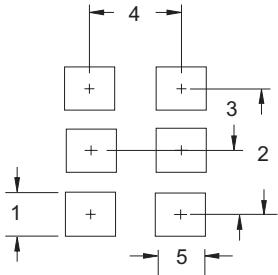
# CP05 thru CP24C

## SOT-23-6 PACKAGE OUTLINE & DIMENSIONS

PACKAGE OUTLINE		SOT-23-6			
					
PACKAGE DIMENSIONS					
DIM	MILLIMETERS		INCHES		
	MIN	MAX	MIN	MAX	
A	2.80	3.05	0.110	0.120	
B	1.50	1.75	0.059	0.070	
C	0.90	1.30	0.036	0.051	
D	0.30	0.40	0.012	0.016	
E	0.85	1.05	0.033	0.040	
G	0.90	1.45	0.036	0.057	
J	0.09	0.20	0.003	0.008	
K	2.60	3.00	0.102	0.118	
L	0.0	0.15	0.0	0.006	
M	0.30	0.60	0.012	0.024	

MOUNTING PAD		
TYPICAL		
DIM	Millimeters	Inches
1	0.70	0.028
2	1.90	0.074
3	0.95	0.037
4	2.40	0.094
5	1.00	0.039



**NOTES**

1. Dimensioning and tolerances per ANSI Y14.5M, 1985.
2. Controlling Dimension: Inches
3. Dimensions are exclusive of mold flash and metal burrs.

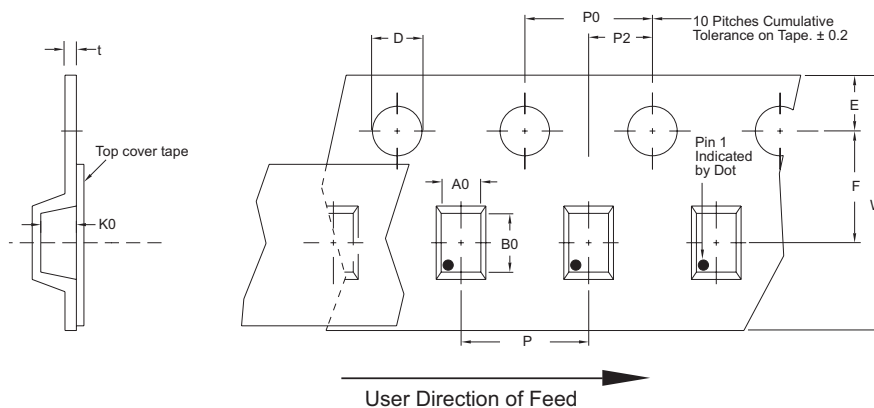
**TAPE & REEL/BULK ORDERING NOMENCLATURE**

1. Surface mount product is taped and reeled in accordance with EIA-481.
2. Suffix - T7 = 7 Inch Reel - 3,000 pieces per 8mm tape, i.e., CP05-T7
3. Suffix - LF = Lead-Free, Pure-Tin Plating, i.e., CP05-LF-T7.

**Outline & Dimensions: Rev 3 - 3/08, 06013**

Tape & Reel Specifications (Dimensions in millimeters)

Reel Dia.	Tape Width	A0	B0	K0	D	E	F	W	P0	P2	P	tmax
178mm (7")	8mm	3.20 ± 0.10	3.20 ± 0.10	1.65 ± 0.10	1.50 ± 0.10	1.75 ± 0.10	3.50 ± 0.05	8.00 ± 0.30	4.00 ± 0.10	2.00 ± 0.05	4.00 ± 0.10	0.25



**COPYRIGHT © ProTek Devices 2007**

SPECIFICATIONS: ProTek reserves the right to change the electrical and or mechanical characteristics described herein without notice (except JEDEC).

DESIGN CHANGES: ProTek reserves the right to discontinue product lines without notice, and that the final judgement concerning selection and specifications is the buyer's and that in furnishing engineering and technical assistance, ProTek assumes no responsibility with respect to the selection or specifications of such products.

**ProTek Devices**  
 2929 South Fair Lane, Tempe, AZ 85282  
 Tel: 602-431-8101 Fax: 602-431-2288  
 E-Mail: [sales@protekdevices.com](mailto:sales@protekdevices.com)  
 Web Site: [www.protekdevices.com](http://www.protekdevices.com)