

PLEASE CHECK WWW.MOLEX.COM FOR LATEST PART INFORMATION

Part Number: [051111000](#)
Status: **Active**
Description: 2.50mm (.098") Pitch Wire-to-Wire and Wire-to-Board Receptacle Housing, With Retainer, 10 Circuits

Documents:

[Drawing \(PDF\)](#) [Product Specification PS-51111-003 \(PDF\)](#)
[Product Specification PS-51111-001 \(PDF\)](#) [RoHS Certificate of Compliance \(PDF\)](#)
[Product Specification PS-51111-002 \(PDF\)](#)

Agency Certification

CSA LR19980
 UL E29179

General

Product Family Crimp Housings
 Series [51111](#)
 Product Name N/A

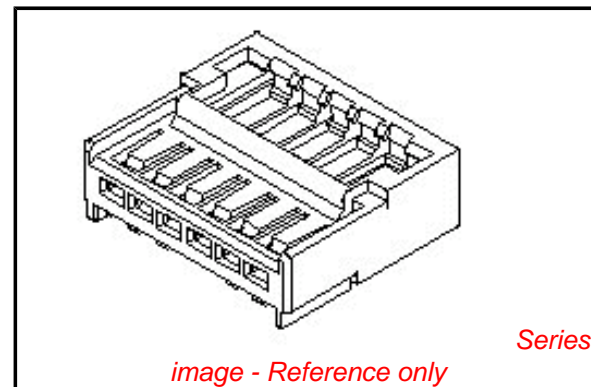
Physical

Circuits (maximum) 10
 Color - Resin Natural
 Flammability 94V-0
 Gender Female
 Glow-Wire Compliant No
 Material - Resin Polyester
 Number of Rows 1
 Packaging Type Bag
 Panel Mount No
 Pitch - Mating Interface (in) 0.098 In
 Pitch - Mating Interface (mm) 2.50 mm
 Stackable No
 Temperature Range - Operating -40°C to +105°C

Material Info

Reference - Drawing Numbers

Product Specification PS-51111-001, PS-51111-002, PS-51111-003,
 RPS-51111-001, RPS-51111-005, RPS-51111-006,
 RPS-51111-007
 Sales Drawing SD-51111-**00



EU RoHS

**ELV and RoHS
 Compliant**
REACH SVHC
 Not Reviewed
**Halogen-Free
 Status**

China RoHS



Not Reviewed

**Need more information on product
 environmental compliance?**

Email productcompliance@molex.com
 For a multiple part number RoHS Certificate of
 Compliance, [click here](#)

Please visit the [Contact Us](#) section for any
 non-product compliance questions.

Search Parts in this Series

[51111Series](#)

Mates With

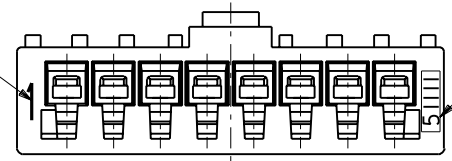
[51112](#) , [51112wr](#) , [53561](#) , [53730](#)

Use With

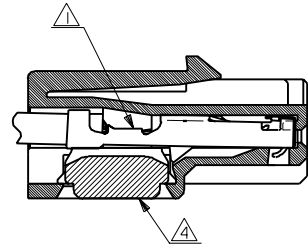
[50397](#) , [51113](#)

DWG. NO. SD-51111-***00

回路番号
CIRCUIT NO. 1



ENG. NO.

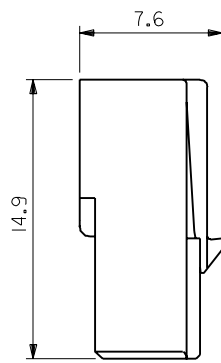
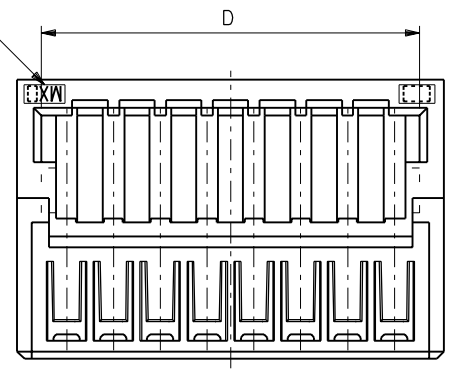


ターミナル及びリテーナー装着状態図
TERMINAL & RETAINER ASSEMBLY DRAWING

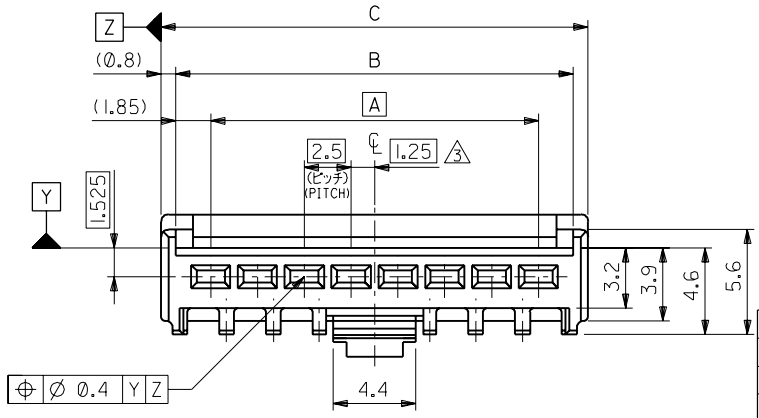
注記 NOTES

- △ 適合ターミナル：50397シリーズ
APPLICABLE TERMINAL：50397 SERIES
- 2. 嵌合相手：51112,53730,53930シリーズ
MATE WITH：51112,53730,53930 SERIES
- △ 偶数極の製品に適用。
APPLY EVEN CIRCUIT PRODUCTS.
- △ 適合リテーナー：51113シリーズ
APPLICABLE RETAINER：51113 SERIES

トレードマーク
TRADE MARK



DIMENSIONS IN METRIC DO NOT SCALE DRAWING



37.45	40.3	38.7	35	51111-1500	15
34.95	37.8	36.2	32.5	▲ -1400	14
32.45	35.3	33.7	30	-1300	13
29.95	32.8	31.2	27.5	-1200	12
27.45	30.3	28.7	25	-1100	11
24.95	27.8	26.2	22.5	-1000	10
22.45	25.3	23.7	20	-0900	9
19.95	22.8	21.2	17.5	-0800	8
17.45	20.3	18.7	15	-0700	7
14.95	17.8	16.2	12.5	-0600	6
12.45	15.3	13.7	10	-0500	5
9.95	12.8	11.2	7.5	-0400	4
7.45	10.3	8.7	5	▼ -0300	3
4.95	7.8	6.2	2.5	51111-0200	2
	D	C	B	A	ENG. NO.

極数
NO. OF
CKT.

角 度 ANGLE		±3°				材 料 MATERIAL		PBTP, UL94V-0 (白色 WHITE)		MOLEX MOLEX-JAPAN CO.,LTD. 日本モレックス株式会社	
仕上げ FINISH		—				適用電線範囲 WIRE RANGE		—		REVISE ONLY ON CAD SYSTEM	
被覆外径 INS. RANGE		—				DRAWN BY '94/2/2		CHK'D BY '97/7/7		TITLE 名称	
2.5 (ピッチ) (PITCH)		1.25				K.TOJO		S.KUNISHI		2.5 WIRE TO WIRE CONN.	
3.2		3.9				'97/7/7		'94/6/22		RECEPTACLE HOUSING	
4.6		5.6				'94/2/2		'94/2/2		WITH RETAINER	
4.4						M.FUKUSHIMA		尺 度 SCALE		4 : 1	
30 以上 OVER		+0.3		B 変更 REVISD (JC80015)		K.T S.K		APP'D BY '97/7/7		DWG. NO.	
10 以上 30 未満 UNDER		+0.25		A 変更 REVISD (J40498)		K.T S.K		M.FUKUSHIMA		SD-51111-***00	
10 未満 UNDER		+0.2		0 新規作成 (J40072)		K.T H.H		尺 度 SCALE		REV	
GENERAL TOLERANCES		記号 LTR		変更内容 REVISION RECORD		DR. CHK.		日付 DATE		B	