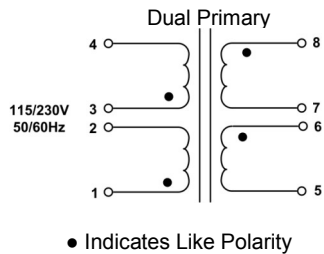
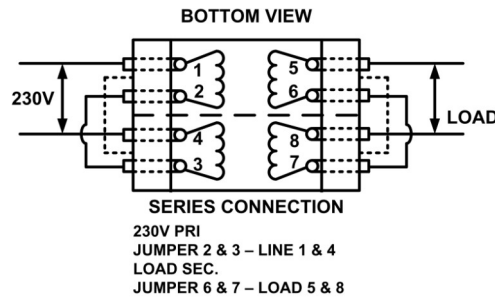
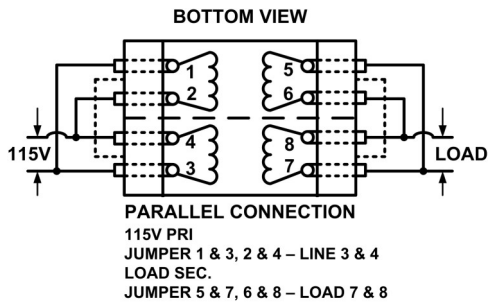
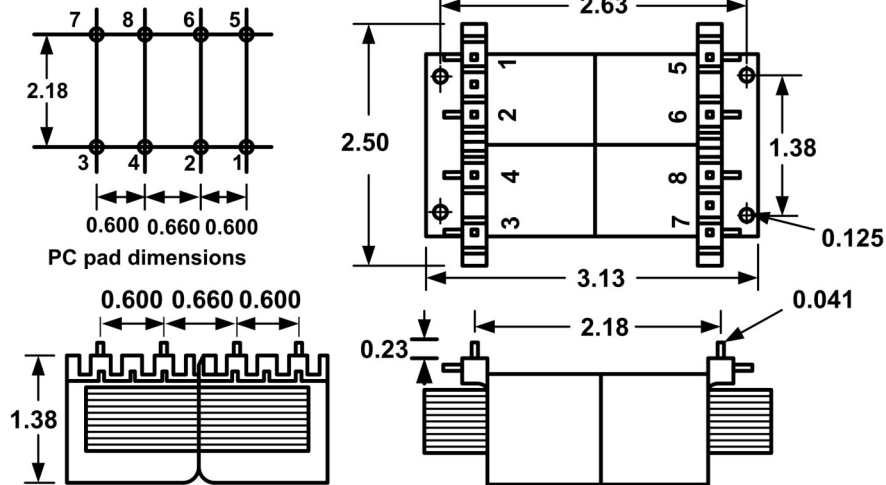


FZ - PRINTED CIRCUIT MOUNT, LOW PROFILE POWER TRANSFORMER



1. Electrical Specifications

- A. Maximum Power: 48VA
- B. Input Voltage and Frequency: 115/230V, 50/60Hz
- C. Voltage Regulation: 18% TYP, Full Load to No Load
- D. Temperature Rise: 50°C TYP
- E. Insulation Resistance: < 1 MEG ohm
- F. Hi-Pot: 2500 Vrms 1 minute @ Pri to Sec
 2500 Vrms 1 minute @ Pri to Core
 1500 Vrms 1 minute @ Sec to Core

2. Marking: Powervolt, part number (see table), date code, terminal numbers



Part No.	Series Connection	Parallel Connection
115/230V	Series Connection	Parallel Connection
FZ24-2000	24VCT @ 2.00A	12V @ 4.00A

 CONTENTS OF THIS DRAWING ARE SUBJECT TO CHANGE WITHOUT PRIOR NOTICE	POWER TRANSFORMER		FZ24-2000	
	Powervolt, Inc. 300 W Factory Road, Addison, IL 60101		Dim: Inches	Sheet 1 of 1
PROPRIETARY NOTICE: THIS DRAWING PRINT OR DOCUMENT AND SUBJECT MATTER DISCLOSED HEREIN ARE PROPRIETARY ITEMS TO WHICH POWERVOLT, INC. RETAINS THE EXCLUSIVE RIGHT OF DISSEMINATION, MANUFACTURE AND SALE. THIS DRAWING, PRINT OR DOCUMENT IS SUBMITTED IN CONFIDENCE FOR CONSIDERATION BY THE RECIPIENT ALONE UNLESS PERMISSION FOR FURTHER DISCLOSURE IS EXPRESSLY GRANTED IN WRITING				