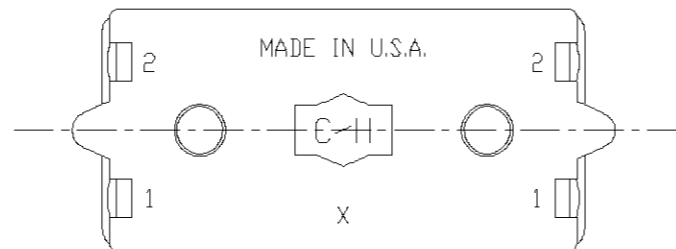
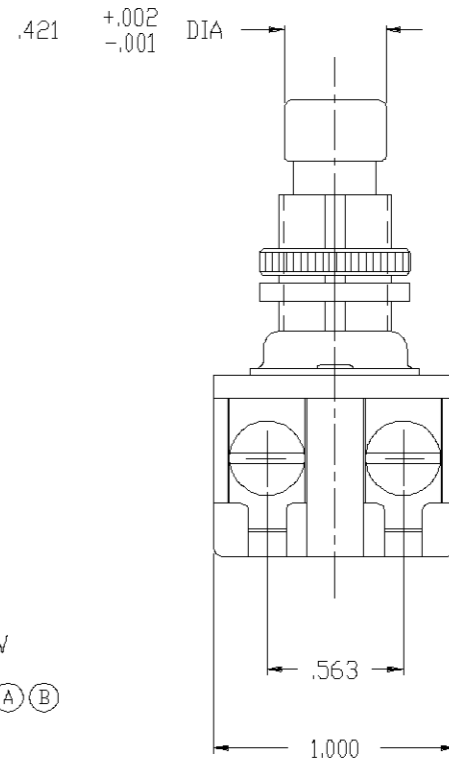
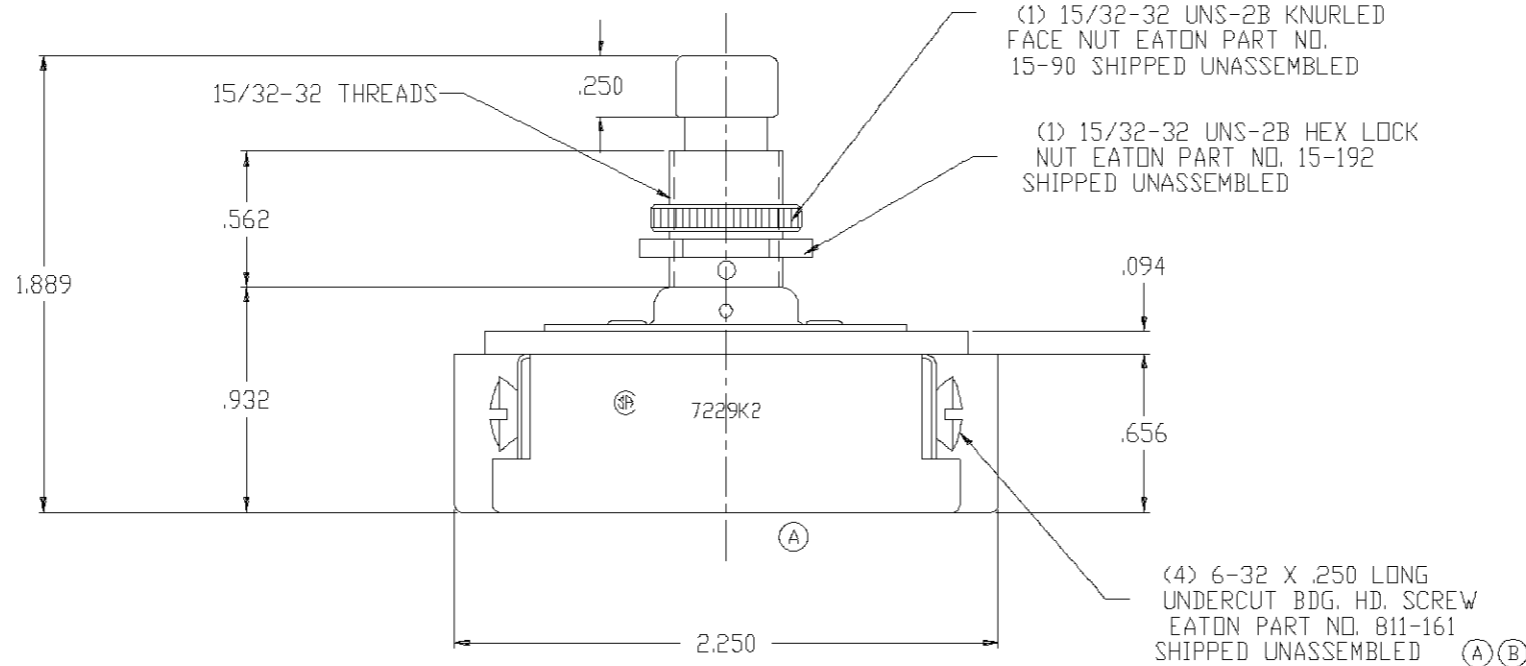
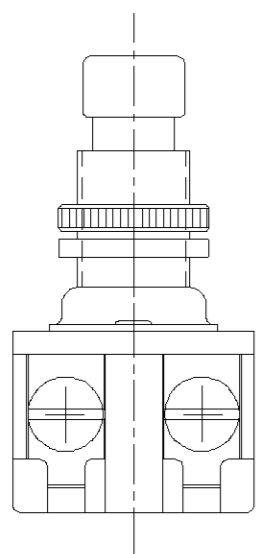


NOTE:  
1. UNLESS OTHERWISE SPECIFIED ALL TOLERANCES TO BE ±.016.



THIRD ANGLE PROJECTION



|                                   |        |                      |                                     |
|-----------------------------------|--------|----------------------|-------------------------------------|
| TITLE: D.P.D.T.PUSH BUTTON SWITCH |        |                      |                                     |
| DR. W. LEONARD                    | 6/1/92 | SURFACE COATING      | FIRST ASSEM. WHERE LISTED<br>7229K2 |
| CHK. WESTEMEIER                   | 6/1/92 | SCALE                | SUP'S ARROW HART 81951              |
| APP. MERLIN R. DUMMER             | 6/1/92 | DO NOT SCALE DRAWING | SUP'D BY                            |

ORDER NO. 93719950

|   |                                                                                                                     |          |    |     |         |   |
|---|---------------------------------------------------------------------------------------------------------------------|----------|----|-----|---------|---|
| A | STAMPING: 7229K2 WAS NORM OPEN 7229K2; NOTE: (4) 6-32 ... SHIPPED UNASSEMBLED WAS (4) 6-32 ... SHIPPED ASSEMBLED.   | JF       | WL | MRD | 3/5/93  | D |
|   |                                                                                                                     | 93719950 |    |     |         |   |
| B | NOTE: (4) 6-32 X .250 LONG ... 811-161 SHIPPED UNASSEMBLED WAS (4) 6-32 X .250 LONG ... 811-14 SHIPPED UNASSEMBLED. | JF       | WL | NS  | 3/12/93 | E |
|   |                                                                                                                     | 93719950 |    |     |         |   |
| C | REMOVED "ON" FROM TOP VIEW.                                                                                         | JF       |    |     | 4/27/94 | F |
|   |                                                                                                                     | 93719950 |    |     |         |   |