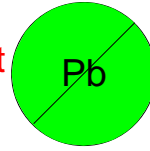


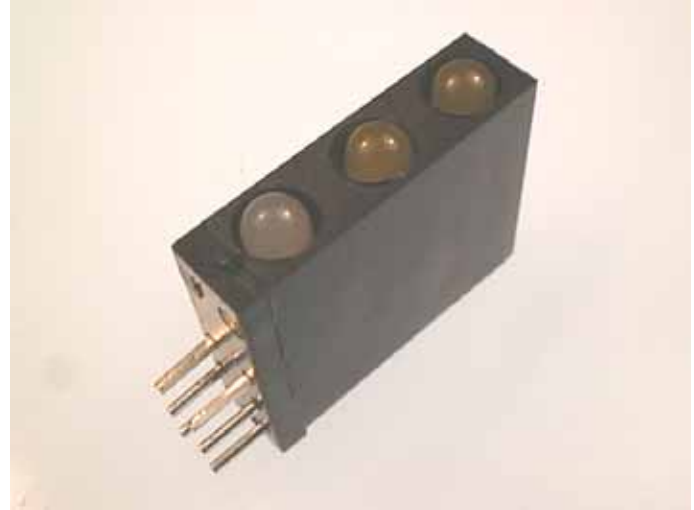
This component is RoHS compliant



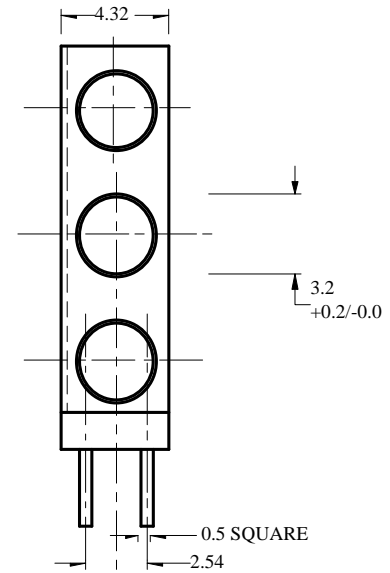
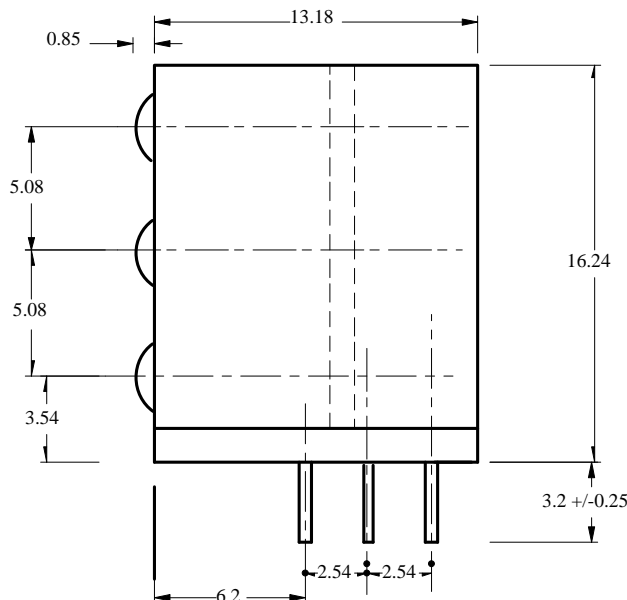
**SSA 200  
SERIES  
3 TIER**

The SSA 200 series is a family of display devices using a Black Nylon 6 VO rated housing to mount three 3mm LEDs at right angles to a PCB. The pin out is in line on 0.1". In any one batch the LEDs are lumenous intensity matched.

- Accurate alignment of LEDs.
- Low current and high- bright available.
- Unique Baseplate for accurate lead positioning.
- Matched LEDs.
- Shrouded LED to reduce cross talk.



## MECHANICAL DATA



**BEDFORD OPTO TECHNOLOGY LTD**  
**1 BIGGAR BUSINESS PARK, BIGGAR, LANARKSHIRE, ML12 6FX**  
Tel: +44 (0) 1899 221221 Fax: +44 (0) 1899 221009  
Website: bot.co.uk E-mail: bill@bot.co.uk

17.2.00 ISS A

## ABSOLUTE MAXIMUM RATINGS (T<sub>A</sub> = 25°C)

# SSA 200

Parameter	Red	Green	Yellow	Orange	RED GREEN
Forward Current	15mA	30mA	20mA	30mA	30mA
Power Dissipation	40mW	100mW	60mW	100mW	100mW
Reverse Current @ 5V	10µA	10µA	10µA	10µA	100µA
Operating Temperature	-40°C to +85°C				
Storage Temperature	-40°C to 100°C				
Lead Soldering Temperature for 5sec (2.0mm from Body)	260°C				

## OPTO ELECTRONIC DATA (T<sub>a</sub> = 25°C)

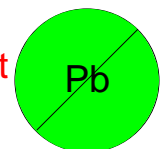
COLOUR		Luminous Intensity If = 10mA mcd	Peak Wave-length nm	Viewing Angle Degrees	Forward Voltage If = 20mA volts
RED	min	2.0	-	-	1.7
	typ	4.2	697	50	-
	max	-	-	-	2.8
YELLOW	min	7.5	-	-	1.7
	typ	12	585	50	-
	max	-	-	-	2.8
GREEN	min	9.0	-	-	1.7
	typ	15	565	50	-
	max	-	-	-	2.8
ORANGE	min	7.5	-	-	1.7
	typ	12	635	50	-
	max	-	-	-	2.8
RED	Min	2.2 @20mA	630	200	2.0
	Typ	4.8 @20mA			2.8
	Max				
GREEN	Min	2.2 @20mA	565	200	2.1
	Typ	4.8 @20mA			2.8
	Max				
BI-COLOUR	Min				
	Typ				
	Max				

## ORDERING INFORMATION

Dual LED - SSA200XYZ    X = Top LED    Y = Middle LED    Z = Bottom LED

Indicate colour by using    R = Red    O = Orange  
  Y = Yellow    B = Blank  
  G = Green    B/C=Red Green Bi-colour

This component  
is RoHS  
compliant



**BEDFORD OPTO TECHNOLOGY LTD**  
**1 BIGGAR BUSINESS PARK, BIGGAR, LANARKSHIRE, ML12 6FX**  
Tel: +44 (0) 1899 221221 Fax: +44 (0) 1899 221009  
Website: bot.co.uk E-mail: bill@bot.co.uk

17.2.00 ISS A