

**PLEASE CHECK WWW.MOLEX.COM FOR LATEST PART INFORMATION**

**Part Number:** **0483211001**  
**Status:** **Active**  
**Overview:** slimline serial ata odd connectors  
**Description:** 1.00mm (.039"), 1.27mm (.050") Pitch Slimline Serial ATA Receptacle, Right Angle, Standard DIP with Nut, 0.38µm (15µ") Gold (Au) Plating, Mounted Height: 3.50mm (.150"), with LCP Alignment Lead free

**Documents:**

[3D Model](#) [Product Specification PS-48321-001 \(PDF\)](#)  
[Drawing \(PDF\)](#) [RoHS Certificate of Compliance \(PDF\)](#)

**Agency Certification**

CSA LR19980  
 UL E29179

**General**

Product Family PCB Receptacles  
 Series 48321  
 Application Board-to-Board  
 Comments Standard DIP, with nut and pin-alignment  
 Overview slimline serial ata odd connectors  
 Product Name Serial ATA, Slimline Serial ATA

**Physical**

Circuits (Loaded) 13  
 Circuits (maximum) 13  
 Color - Resin Black  
 Durability (mating cycles max) 500  
 Flammability 94V-0  
 Glow-Wire Compliant No  
 Guide to Mating Part Yes  
 Keying to Mating Part Yes  
 Lock to Mating Part No  
 Material - Metal Copper Alloy  
 Material - Plating Mating Gold  
 Material - Plating Termination Tin  
 Material - Resin High Temperature Thermoplastic  
 Number of Rows 1  
 Orientation Right Angle  
 PC Tail Length (in) 0.063 In  
 PC Tail Length (mm) 1.60 mm  
 PCB Locator Yes  
 PCB Retention Yes  
 PCB Thickness Recommended (in) 0.047 In  
 PCB Thickness Recommended (mm) 1.20 mm  
 Packaging Type Embossed Tape on Reel  
 Pitch - Mating Interface (in) 0.039 In, 0.050 In  
 Pitch - Mating Interface (mm) 1.00 mm, 1.27 mm  
 Pitch - Term. Interface (in) 0.039 In, 0.050 In  
 Pitch - Term. Interface (mm) 1.00 mm, 1.27 mm  
 Plating min: Mating (µin) 15  
 Plating min: Mating (µm) 0.38  
 Plating min: Termination (µin) 100  
 Plating min: Termination (µm) 2.54  
 Polarized to Mating Part Yes  
 Polarized to PCB Yes

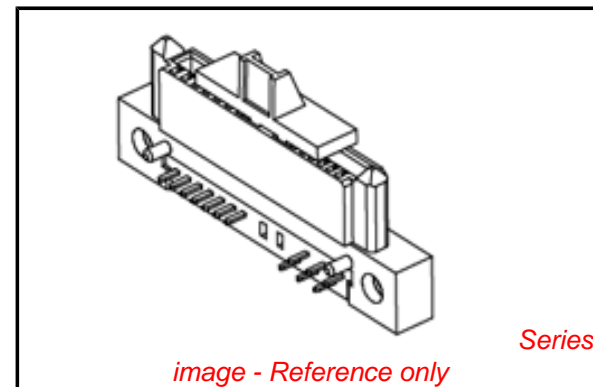


image - Reference only

**EU RoHS**

**ELV and RoHS  
 Compliant**  
**REACH SVHC  
 Not Reviewed**  
**Halogen-Free  
 Status  
 Not Reviewed**

**China RoHS**



**Need more information on product  
 environmental compliance?**

Email [productcompliance@molex.com](mailto:productcompliance@molex.com)  
 For a multiple part number RoHS Certificate of Compliance, [click here](#)

Please visit the [Contact Us](#) section for any non-product compliance questions.

**Search Parts in this Series**

48321Series

**Mates With**

473001xxx Slimline Serial ATA Plugs

Stackable	No
Surface Mount Compatible (SMC)	Yes
Temperature Range - Operating	-40°C to +85°C
Termination Interface: Style	Through Hole

### **Electrical**

Current - Maximum per Contact	1A
Grounding to PCB	Yes
Voltage - Maximum	15V (RMS)

### **Material Info**

### **Reference - Drawing Numbers**

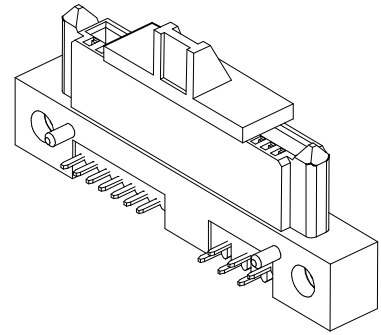
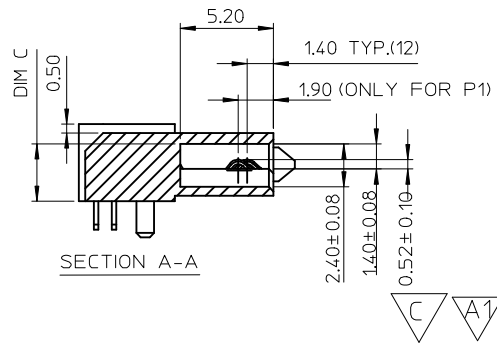
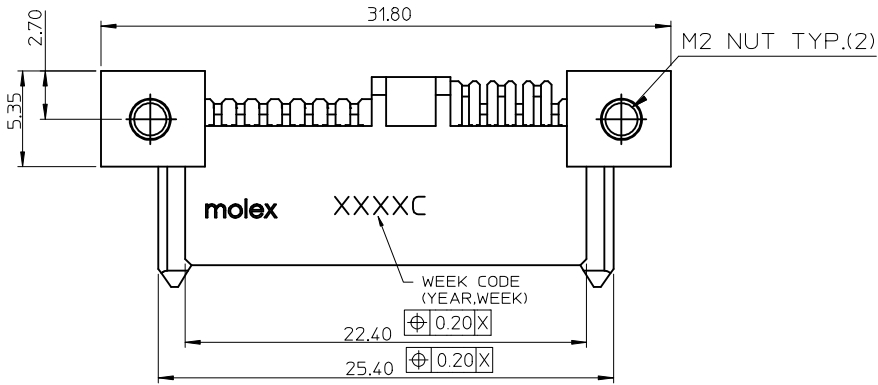
Packaging Specification	PK-48321-001
Product Specification	PS-48321-001
Sales Drawing	E-48321-001, SD-48321-001
Test Summary	TS-48321-001

This document was generated on 05/31/2010

**PLEASE CHECK [WWW.MOLEX.COM](http://WWW.MOLEX.COM) FOR LATEST PART INFORMATION**

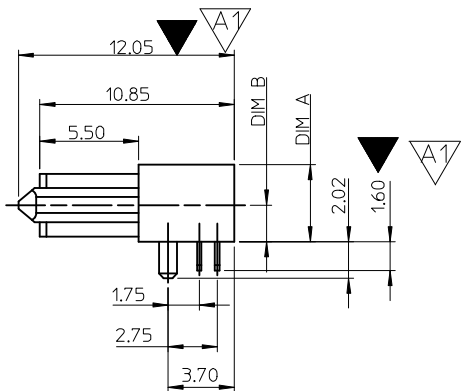
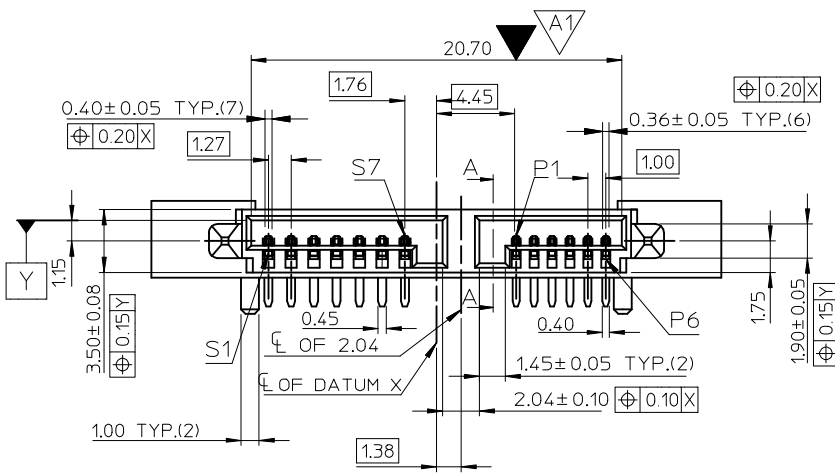
10 9 8 7 6 5 4 3 2 1

F

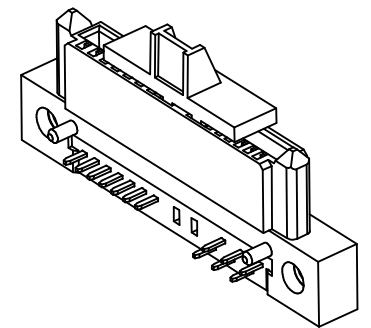


E

D

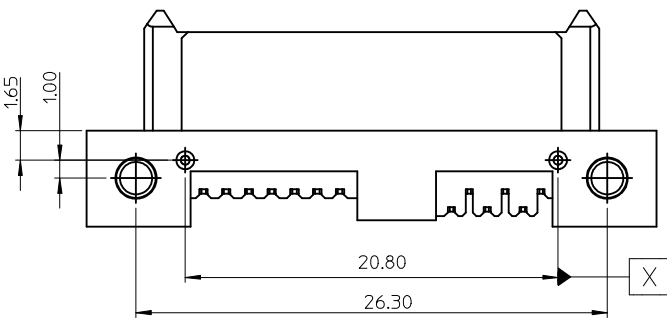


WITHOUT ALIGNMENT  
(48321-2XXX)



WITH ALIGNMENT  
(48321-1XXX)

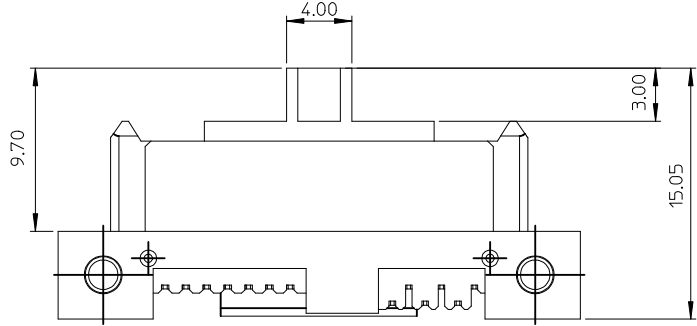
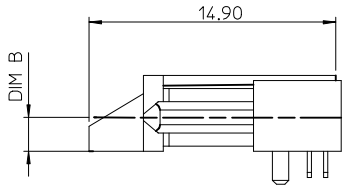
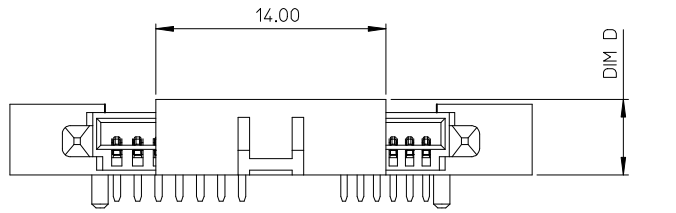
B



A

SUPPLIER		ACRON		THIRD ANGLE PROJECTION	
REVISION EC NO: SH2009-0089 DRWN:LLIU10 CHKD:YLZHU APPR:HWANG	REV 2008/09/29	QUALITY SYMBOLS		DIMENSION STYLE	
		▽=3 ∇=1		MM ONLY	
		GENERAL TOLERANCES (UNLESS SPECIFIED)		SCALE	
		mm INCH		1:1	
		4 PLACES ± --- ± --- 3 PLACES ± --- ± --- 2 PLACES ± 0.15 ± --- 1 PLACE ± 0.15 ± ---		DESIGN UNITS	
ANGULAR ± 2 °		METRIC			
DRAWN BY: LINDA		DATE: 2007/12/13		TITLE	
CHECKED BY: ALLEN LIN		DATE: 2007/12/17		SLIMLINE SATA RECEPTACLE STANDARD DIP WITH NUT	
APPROVED BY: EICK LAN		DATE: 2007/12/17		MOLEX INCORPORATED	
MATERIAL NO.		SEE TABLE		DOCUMENT NO.	
DRAFT WHERE APPLICABLE MUST REMAIN WITHIN DIMENSIONS		SIZE A3		E-48321-001	
THIS DRAWING CONTAINS INFORMATION THAT IS PROPRIETARY TO MOLEX INCORPORATED AND SHOULD NOT BE USED WITHOUT WRITTEN PERMISSION					

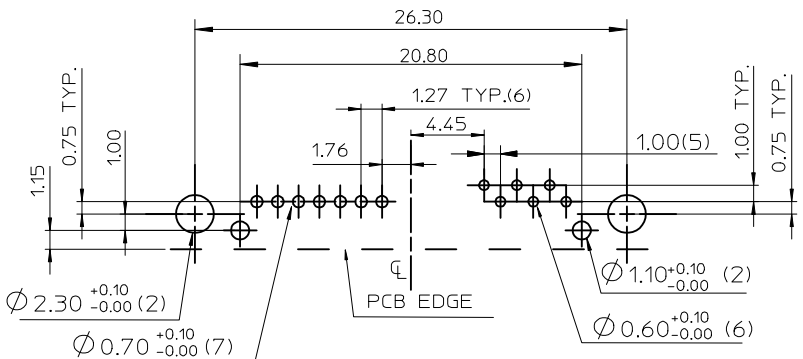
9 8 7 6 5 4 3 2 1



P/N	PLATING OPTIONS	DIM A	DIM B	DIM C	DIM D	DIM E	PIN ALIGNMENT	WITHSTANDING MFG TEST	ACRON P/N
48321-1000	GOLD FLASH	3.50	1.25	2.40	3.80	0.35	YES	NO	SAT01-A3-R0000
48321-1001	15 MICROINCH							NO	SAT01-A3-R0020
48321-1002	30 MICROINCH							YES	SAT01-A3-R0030
48321-2000	GOLD FLASH	4.25	2.00	3.15	4.55	0.40	NO	NO	SAT01-A3-R0101
48321-2001	15 MICROINCH							NO	SAT01-A3-R0121
48321-2002	30 MICROINCH							YES	SAT01-A3-R0131

NOTES:

- MATERIAL:
  - HOUSING & CAP: LIQUID CRYSTAL POLYMER, 6130(L), 30% GLASS FILLED, UL94V-0, COLOR: BLACK.
  - TERMINAL: 0.25mm THICKNESS, PHOSPHOR BRONZE C5210EH.
  - NUT: ZINC ALLOY.
  - ALIGNER: LIQUID CRYSTAL POLYMER, 6130(L), 30% GLASS FILLED, UL94V-0, COLOR: BLACK.
- PLATING:
  - TERMINAL:
    - CONTACT AREA: SEE TABLE.
    - SOLDER TAIL: MATTE TIN PLATED, THICKNESS=100 MICROINCH MIN/2.54 MICROMETER MIN.
    - UNDER PLATE: NICKEL(Ni) PLATED, THICKNESS=50 MICROINCH MIN/1.27 MICROMETER MIN.
    - NUT: NICKEL(Ni) PLATED, THICKNESS=50 MICROINCH MIN/1.27 MICROMETER MIN.
- SCREW MEETS TORQUE WITHSTANDED 2.5 kgf-cm MIN.
- RECOMMENDED PCB THICKNESS: 1.20±0.05mm.
- PRODUCT SPECIFICATION REFER TO PS-48321-001.
- TEST SUMMARY REFER TO TS-48321-001.
- PACKAGING SPECIFICATION REFER TO PK-48321-001.
- MATES WITH: SERIES 47300.
- LEAD FREE & RoHS COMPLIANT PRODUCT.



RECOMMENDED PC BOARD LAYOUT  
TOLERANCE: ±0.05mm(TOP VIEW)

SEE SHEET1 EC NO: SH2009-0089 DRW: LLIU10 CHKD: YLZHU APPR: HWANG 2008/08/20 2008/08/09/02 2008/09/29	QUALITY SYMBOLS ▽=0 ◻=0	GENERAL TOLERANCES (UNLESS SPECIFIED)		DIMENSION STYLE <b>MM ONLY</b>	SCALE <b>1:1</b>	DESIGN UNITS <b>METRIC</b>	THIRD ANGLE PROJECTION		
		4 PLACES ± --- ± --- 3 PLACES ± --- ± --- 2 PLACES ± 0.15 ± --- 1 PLACE ± 0.15 ± ---	mm INCH	DRAWN BY LINDA	DATE 2007/12/13	TITLE <b>SLIMLINE SATA RECEPTACLE STANDARD DIP WITH NUT</b>			
		ANGULAR ± 2 °		CHECKED BY ALLEN LIN	DATE 2007/12/17	MOLEX INCORPORATED			
		DRAFT WHERE APPLICABLE MUST REMAIN WITHIN DIMENSIONS		APPROVED BY EICK LAN	DATE 2007/12/17	MATERIAL NO. SEE TABLE	DOCUMENT NO. E-48321-001	SHEET NO. 2 OF 2	

10 9 8 7 6 5 4 3 2 1

F

E

D

C

B

A

F

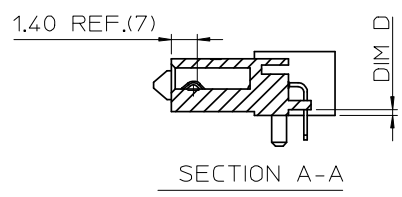
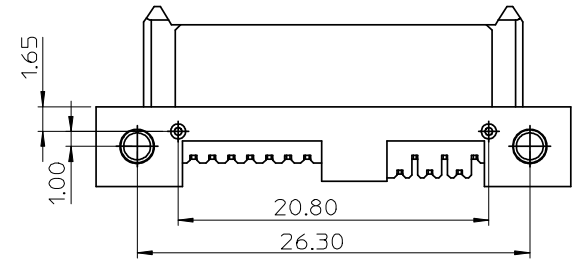
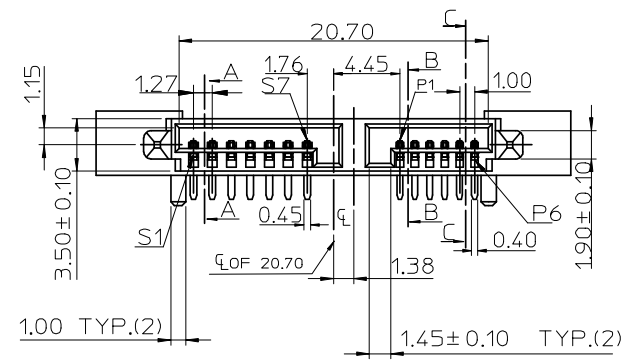
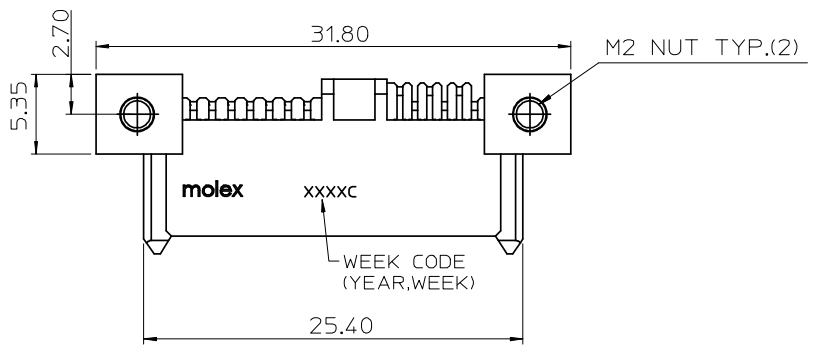
E

D

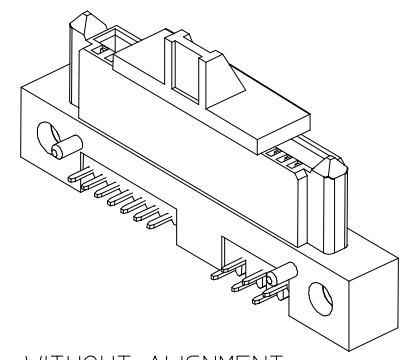
C

B

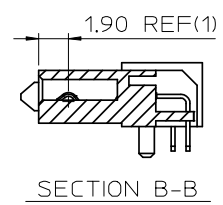
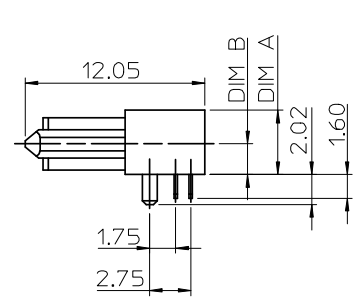
A



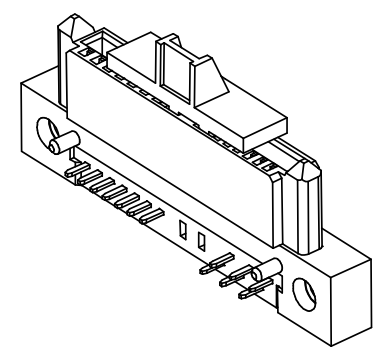
SECTION A-A



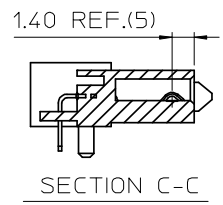
WITHOUT ALIGNMENT  
(48321-2XXX)



SECTION B-B



WITH ALIGNMENT  
(48321-1XXX)



SECTION C-C

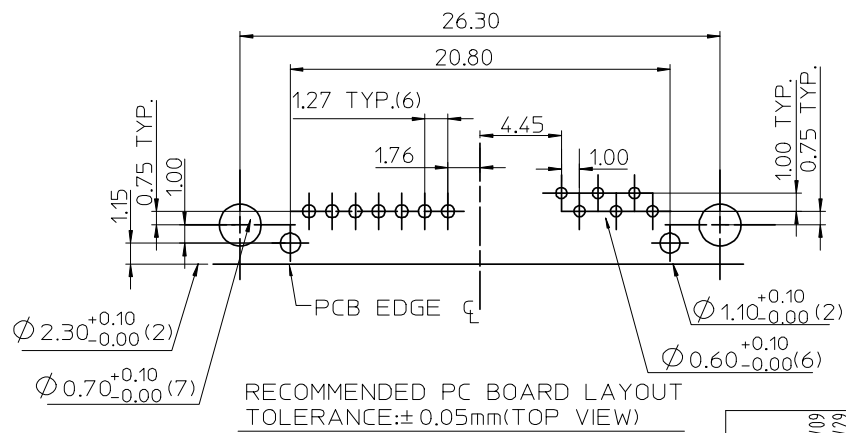
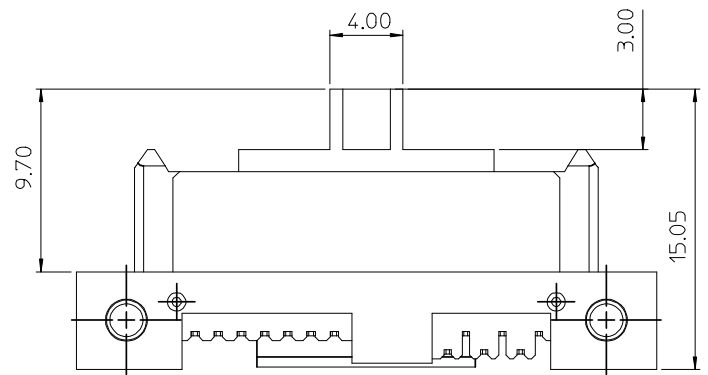
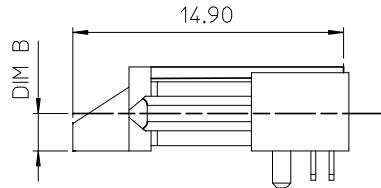
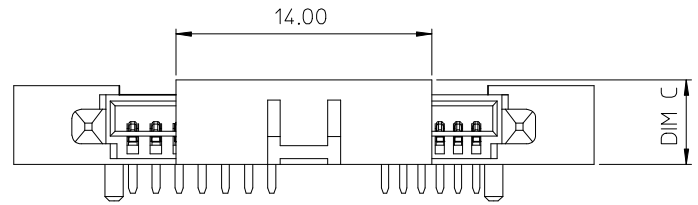
CHANGE NUT'S MATERIAL	2008/07/29
EC NO: SH2008-0659	DESCRIPTION
DRW:LLU10	
CHKD:YLZHU	
APPR:HWANG	
A1	REV

QUALITY SYMBOLS	DESCRIPTION
▽=0	
∇=0	

GENERAL TOLERANCES (UNLESS SPECIFIED)	mm	INCH
	4 PLACES ± ---	± ---
3 PLACES ± ---	± ---	
2 PLACES ± 0.25	± ---	
1 PLACE ± 0.25	± ---	
ANGULAR ± 3 °		
DRAFT WHERE APPLICABLE MUST REMAIN WITHIN DIMENSIONS		

DIMENSION STYLE		SCALE	DESIGN UNITS	THIRD ANGLE PROJECTION
MM ONLY		1:1	METRIC	
DRAWN BY	DATE	TITLE		
LINDA	2007/12/13	SLIMLINE SATA RECEPTACLE STANDARD DIP WITH NUT		
CHECKED BY	DATE	MOLEX MOLEX INCORPORATED		
ALLEN LIN	2007/12/17	DOCUMENT NO. SD-48321-001		
APPROVED BY	DATE	SHEET NO. 1 OF 2		
EICK LAN	2007/12/17			
MATERIAL NO.		THIS DRAWING CONTAINS INFORMATION THAT IS PROPRIETARY TO MOLEX INCORPORATED AND SHOULD NOT BE USED WITHOUT WRITTEN PERMISSION		
SEE TABLE				

9 8 7 6 5 4 3 2 1



P/N	PLATING OPTIONS	DIM A	DIM B	DIM C	DIM D	PIN ALIGNMENT	WITHSTANDING MFG TEST
48321-1000	GOLD FLASH	3.50	1.25	3.80	0.35	YES	NO
48321-1001	15 MICROINCH						NO
48321-1002	30 MICROINCH						YES
48321-2000	GOLD FLASH	4.25	2.00	4.55	0.40	NO	NO
48321-2001	15 MICROINCH						NO
48321-2002	30 MICROINCH						YES

- NOTES:**
- MATERIAL:**  
HOUSING & CAP: LIQUID CRYSTAL POLYMER, GLASS FIBER FILLED, UL94V-0, COLOR: BLACK.  
TERMINAL: COPPER ALLOY.  
NUT: ZINC ALLOY.  
ALIGNER: LIQUID CRYSTAL POLYMER, GLASS FIBER FILLED, UL94V-0, COLOR: BLACK.
  - PLATING:**  
TERMINAL:  
CONTACT AREA: SEE TABLE.  
SOLDER TAIL: MATTE TIN PLATED, THICKNESS=100 MICROINCH MIN/2.54 MICROMETER MIN.  
UNDER PLATE: NICKEL(Ni) PLATED OVERALL.  
NUT: NICKEL(Ni) PLATED, THICKNESS=50 MICROINCH MIN/1.27 MICROMETER MIN.
  - RECOMMENDED PCB THICKNESS: 1.20 ± 0.05mm.
  - PRODUCT SPECIFICATION REFER TO PS-48321-001.
  - TEST SUMMARY REFER TO TS-48321-001.
  - PACKAGING SPECIFICATION REFER TO PK-48321-001.
  - MATES WITH: SERIES 47300.
  - LEAD FREE & RoHS COMPLIANT PRODUCT.

SEE SHEET 1 EC NO: SH2008-0659 DRWN: LILIU10 CHKD: YLZHU APPR: HWANG 2008/07/09 2008/07/29	QUALITY SYMBOLS ▽=0 ◻=0	GENERAL TOLERANCES (UNLESS SPECIFIED)		DIMENSION STYLE MM ONLY		SCALE 1:1	DESIGN UNITS METRIC	THIRD ANGLE PROJECTION	
			mm	INCH	DRAWN BY LINDA	DATE 2007/12/13	TITLE SLIMLINE SATA RECEPTACLE STANDARD DIP WITH NUT		
			± ---	± ---	CHECKED BY ALLEN LIN	DATE 2007/12/17	MOLEX INCORPORATED		
			± 0.25	± ---	APPROVED BY EICK LAN	DATE 2007/12/17	MATERIAL NO. SEE TABLE	DOCUMENT NO. SD-48321-001	SHEET NO. 2 OF 2
DRAFT WHERE APPLICABLE MUST REMAIN WITHIN DIMENSIONS		THIS DRAWING CONTAINS INFORMATION THAT IS PROPRIETARY TO MOLEX INCORPORATED AND SHOULD NOT BE USED WITHOUT WRITTEN PERMISSION							