



FEATURES

- TIGHT TOLERANCE / TIGHT STABILITY AVAILABLE
- HIGH RELIABILITY FOR LOW COST
- LOW PROFILE - 0.7MM PACKAGE HEIGHT
- EXTENDED TEMPERATURE RANGE TO -40/+125°C AVAILABLE
- EXCELLENT CLOCK SIGNAL GENERATOR FOR CPU'S
- QUALIFIED FOR QUOTMOTIVE APPLICATIONS

MINI-SMD-CRYSTAL SERIES	SMD0503/2	2 Solder Pads	
	SMD0503/4 (standard package)	4 Solder Pads # 1 and 3 conected // # 2 and 4 ground	
FREQUENCY RANGE	12.0 ~ 40.0 MHz		40.0 ~ 90.0 MHz
MODE OF VIBRATION	AT-FUNDAMENTAL		3rd Overtone
RESONANCE RESISTANCE	80 ~ 40 Ω max.		60 Ω max.
FREQUENCY TOLERANCE AT 25°C	+5 ppm ~ +50 ppm		
TEMPERATURE RANGE	0/+50°C ~ -40/+125°C		
TEMPERATURE STABILITY	+3 ppm	0/+50°C	
	+5 ppm	0+50°C / -10/+60°C / 0+70°C	
	+10 ppm	0+50°C / -10/+60°C / 0+70°C / -20+70°C	
	+15 ppm	0+50°C / -10/+60°C / 0+70°C / -20+70°C / -40/85°C	
	+20 ppm	0+50°C / -10/+60°C / 0+70°C / -20+70°C / -40/+85°C	
	+30 ppm	0+50°C / -10/+60°C / 0+70°C / -20+70°C / -40/+85°C	
	+50 ppm	0+50°C / -10/+60°C / 0+70°C / -20+70°C / -40/+85°C / -40/+125°C	
LOAD CAPACITANCE	6 ~ 50 pF or Series		
SHUNT CAPACITANCE	7 pF max.		
DRIVE LEVEL	0.01 mW ~ 0.1 mW (optional 1.0 mW available)		
AGING	+2 ppm per year (optional +1 ppm available)		
INSULATION RESISTANCE	>500 MΩ DC/100V +-10%		
STORAGE TEMPERATURE	-55/+125°C		
PACKAGE	Tape and Reel (1.000 pcs per reel)		
OTHER PARAMETERS ARE AVAILABLE ON REQUEST / CREATE HERE YOUR SPECIFICATION			

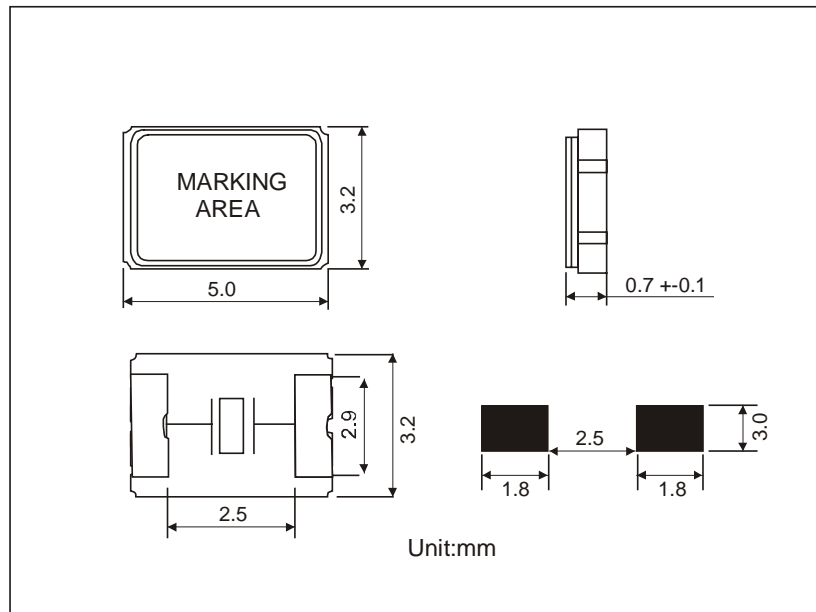
PART NUMBERING SYSTEM

EXAMPLE	SMD0503/4 27.000 MHz 30/50/-40+85/20pF
---------	--

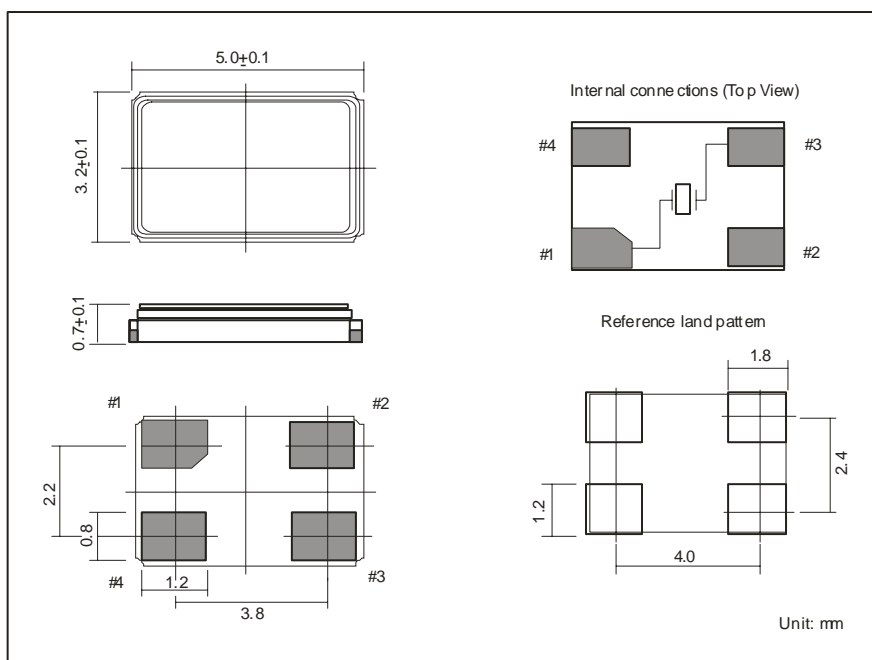
TYPE	SMD0503/2 OR SMD0503/4
FREQUENCY	IN MHZ
FREQUENCY TOLERANCE AT 25°C	REQUIRED VALUE
TEMPERATURE STABILITY	REQUIRED VALUE
TEMPERATURE RANGE	REQUIRED VALUE
LOAD CAPACITANCE	REQUIRED VALUE

OUTLINE DRAWING OF SMD0503 WITH 2 SLODER PADS

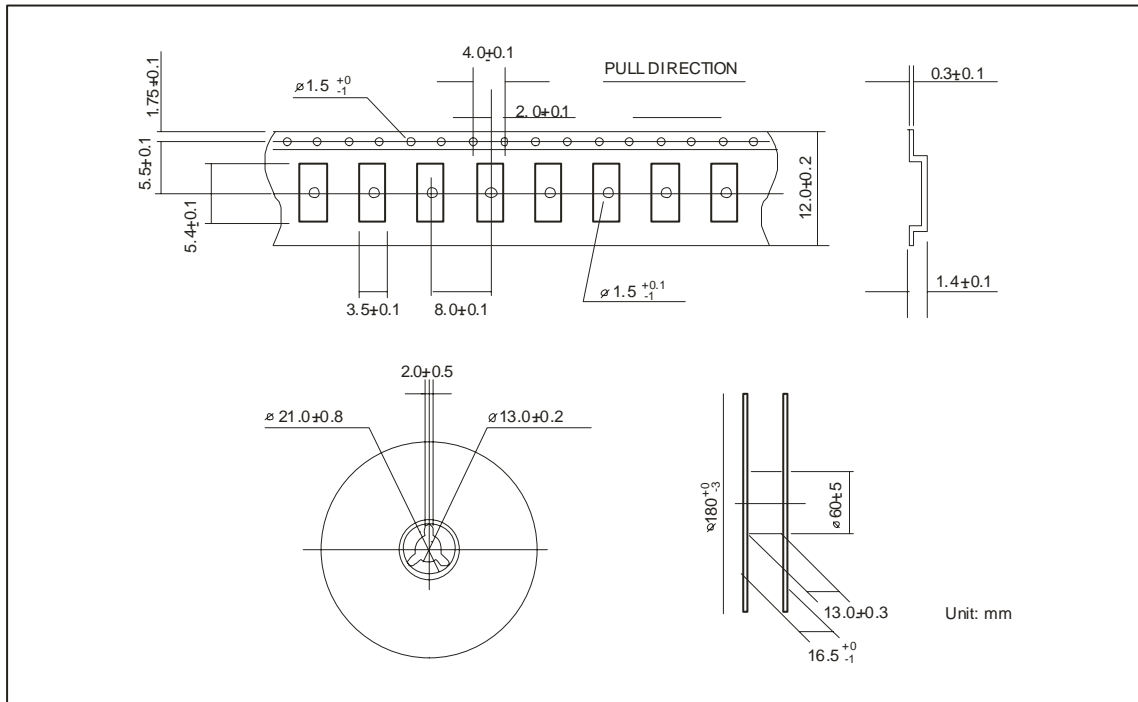
(The 2pad package is only an option. We recommend to use the 4pad package in new designs.
The 4pad package is the standard package.)



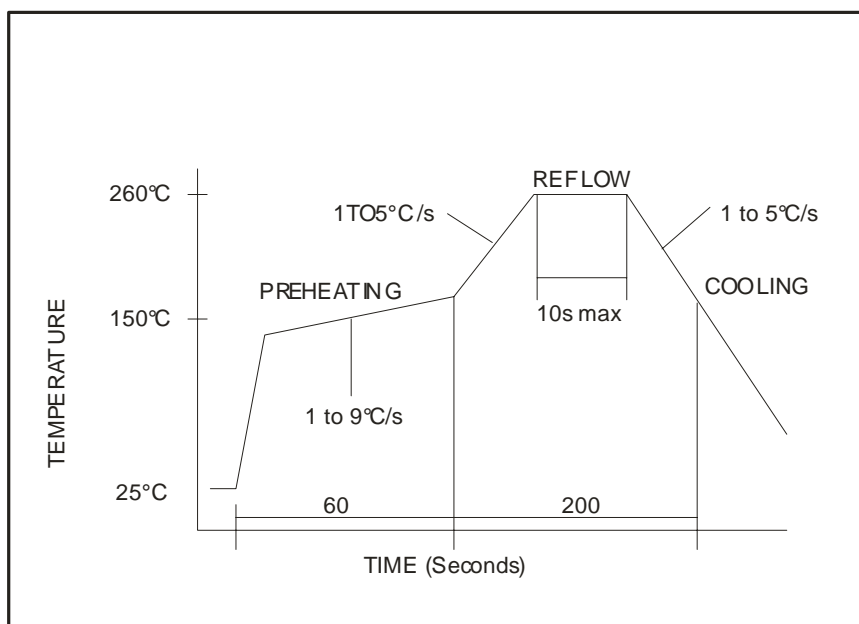
OUTLINE DRAWING OF SMD0503 WITH 4 SLODER PADS



REEL SPECIFICATION



REFLOW SOLDER PROFILE



Crystals can be soldered according to the norm JEDEC J-STD-020C.