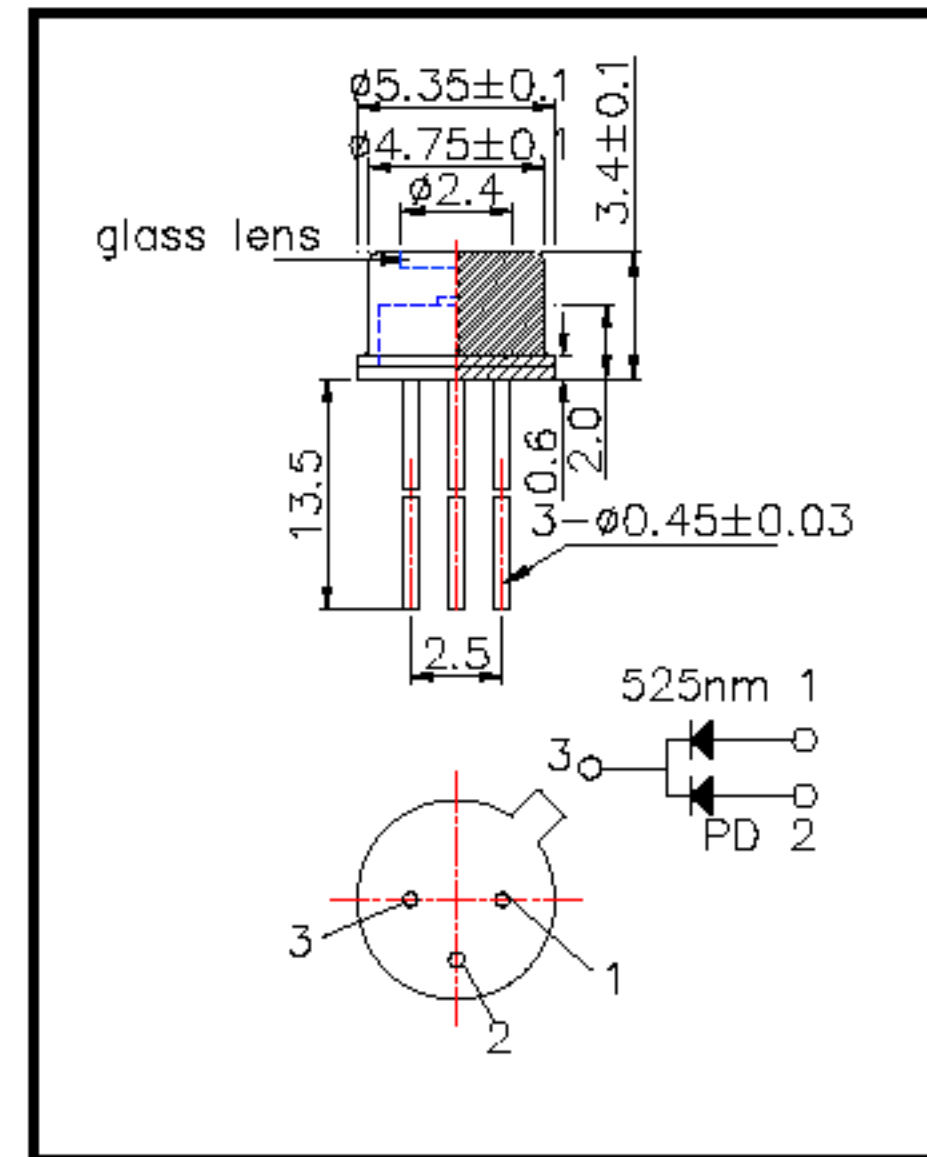


L525/PD010-35D52

Metal can sealed PD monitoring high power LED

L525/PD010-35D52 consists of a InGaN LED 525nm and a Si-PD mounted on TO-18 stem hermetically sealed with a glass flat can, and is designed to monitor reflected light through detector for controlling its own output power

◆Outer dimension (Unit: mm)



◆Specifications

- | | |
|---------------------|--------------------------|
| 1) Product Name | LED Lamp with PD Monitor |
| 2) Type No. | L525/PD010-35D52 |
| 3) Chip | |
| (1) Chip material | InGaN and Si(PIN) |
| (2) Peak wavelength | 525nm |
| 4) Package | |
| (1) Stem | Φ5mm TO-18 |
| (2) Lens | Metal Can (Gold Plate) |

◆Absolute Maximum Ratings [Ta=25°C]

Device	Item	Symbol	Maximum Rated	Unit
LED	Power Dissipation	PD	120	mW
LED	Forward Current	IF	30	mA
LED	Pulse Forward Current	IFP	-	A
LED	Reverse Voltage	VR	5	V
PD	Reverse Voltage	VR	100	V
	Operating Temperature	TOPR	-20 ~ +85	°C
	Storage Temperature	TSTG	-30 ~ +95	°C
	Soldering Temperature	TSOL	260	°C

‡Soldering condition: Soldering condition must be completed within 3 seconds at 250°C

◆ Electro-Optical Characteristics [Ta=25°C]

Item	Symbol	Condition	Minimum	Typical	Maximum	Unit
Forward Voltage	VF	IF=20mA		3.5	4.3	V
Reverse Current	IR	VR=5V			10	uA
Total Radiated Power	PO	IF=20mA		2.0		mW
Radiant Intensity	IE	IF=20mA		-		mW/sr
Peak Wavelength	λP	IF=20mA	515	525	535	nm
Half Width	Δλ	IF=20mA		40		nm
Viewing Half Angle	θ 1/2	IF=20mA		±55		deg.
Rise Time	tr	IF=20mA		-		ns
Fall Time	tf	IF=20mA		-		ns
Output Current	IL	VR=0V		55		uA
Dark Current	ID	VR=10V			10	nA

‡Total Radiated Power is measured by Photodyne #500

MUEVO-Vertrieb

Joseph-Mäurer-Straße 18 • 51688 Wipperfürth • Germany

+49 (0)2267 828 339 • Fax +49 (0)2267 829 175

sales@muevo-technics.com