

PLEASE CHECK WWW.MOLEX.COM FOR LATEST PART INFORMATION

Part Number: [0850420074](#)
Status: **Active**
Overview: [din_41612](#)
Description: 2.54mm (.100") Pitch DIN 41612 Receptacle, Style C/2, 32 Circuits

Documents:

[3D Model](#) [RoHS Certificate of Compliance \(PDF\)](#)
[Drawing \(PDF\)](#)

Agency Certification

CSA LR19980
 UL E29179

General

Product Family Backplane Connectors
 Series [85042](#)
 Application Daughtercard
 Component Type PCB Receptacle
 Overview [din_41612](#)
 Product Name IEC 603-2/DIN 41612
 Style C/2

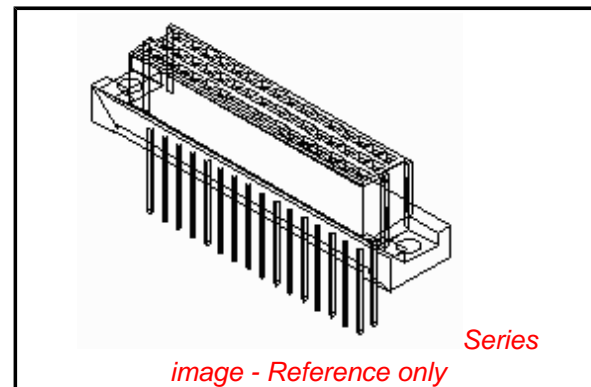
Physical

Circuits (Loaded) 32
 Circuits (maximum) 48
 Circuits Detail Rows A & C
 Durability (mating cycles max) 400
 First Mate / Last Break No
 Flammability 94V-0
 Guide to Mating Part No
 Keying to Mating Part Yes
 Number of Columns 16
 Number of Pairs Open Pin Field
 Number of Rows 3
 Orientation Vertical
 PC Tail Length (in) 0.114 In
 PC Tail Length (mm) 2.90 mm
 PCB Locator No
 PCB Retention Yes
 Packaging Type Tray
 Pitch - Mating Interface (in) 0.100 In
 Pitch - Mating Interface (mm) 2.54 mm
 Pitch - Term. Interface (in) 0.100 In
 Pitch - Term. Interface (mm) 2.54 mm
 Polarized to PCB Yes
 Stackable No
 Surface Mount Compatible (SMC) No
 Temperature Range - Operating -55°C to +125°C

Electrical

Current - Maximum per Contact 2.5A
 Data Rate 622.0 Mbps
 Real Signals (per 25mm) 29
 Shielded No
 Voltage - Maximum 250V AC (RMS)

Material Info



EU RoHS

**ELV and RoHS
 Compliant**
REACH SVHC
 Not Reviewed
**Halogen-Free
 Status**
Not Reviewed

China RoHS



**Need more information on product
 environmental compliance?**

Email productcompliance@molex.com
 For a multiple part number RoHS Certificate of
 Compliance, [click here](#)

Please visit the [Contact Us](#) section for any
 non-product compliance questions.

Search Parts in this Series

[85042Series](#)

Mates With

DIN 41612 Headers [85003](#) , [85013](#)

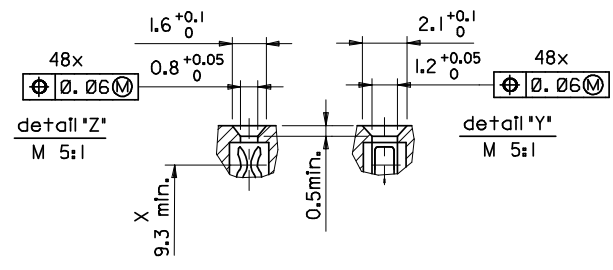
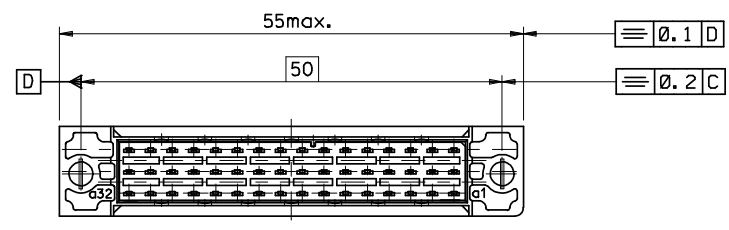
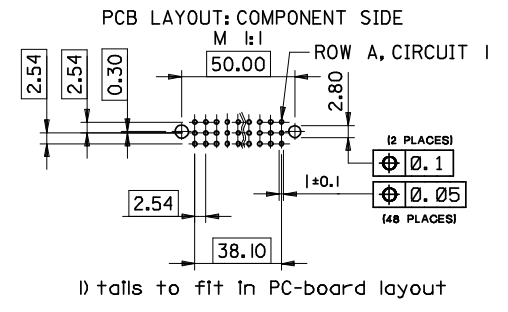
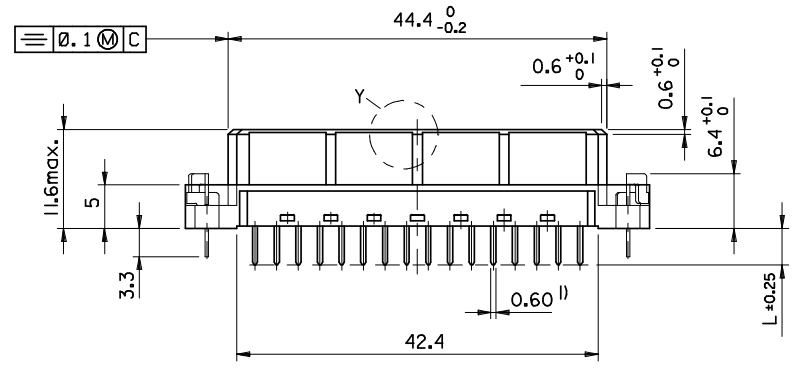
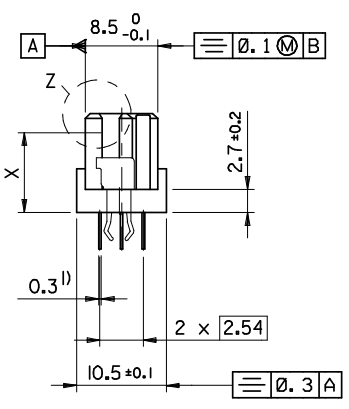
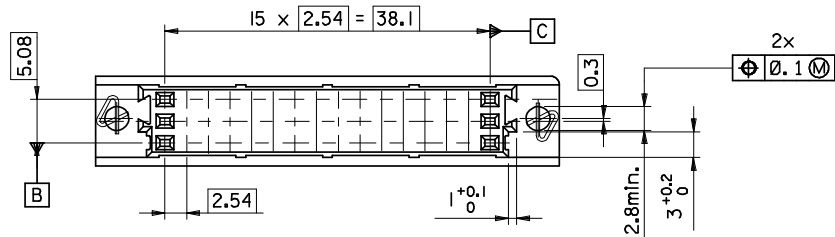
Reference - Drawing Numbers

Sales Drawing

SD-85042-0002, SDA-85042-0074

This document was generated on 05/17/2010

PLEASE CHECK WWW.MOLEX.COM FOR LATEST PART INFORMATION



ENTER DESCRIPTION EC NO: 12009-008Z 2008/08/20 DRWNS:J CHKD:KPRASAD 2008/08/25 APPR:KPRASAD 2008/08/26	QUALITY SYMBOLS ▽=0 ▽=0	GENERAL TOLERANCES (UNLESS SPECIFIED)		DIMENSION STYLE MM ONLY	SCALE ---	DESIGN UNITS METRIC	THIRD ANGLE PROJECTION
		4 PLACES ±--- ±--- 3 PLACES ±--- ±--- 2 PLACES ±--- ±--- 1 PLACE ±--- ±--- ANGULAR ±---°	mm INCH ±--- ±--- ±--- ±--- ±--- ±--- ±--- ±---	DRAWN BY DATE SUMESH 2008/08/13	TITLE 48 POS. FEMALE CONNECTOR DIN 41612, STYLE C/2 DIMENSIONS		
REVISIONS C	DESCRIPTION DRAFT WHERE APPLICABLE MUST REMAIN WITHIN DIMENSIONS	APPROVED BY DATE KPRASAD 2008/08/13		MATERIAL NO. 850426115	DOCUMENT NO. SD-85042-0002	SHEET NO. 1 OF 1	
		THIS DRAWING CONTAINS INFORMATION THAT IS PROPRIETARY TO MOLEX INCORPORATED AND SHOULD NOT BE USED WITHOUT WRITTEN PERMISSION					

VIEW ON MATING SIDE

U	A	A	A	A	A	A	A	A	A	A	A	A	A	A	A
∞															
◁	A	A	A	A	A	A	A	A	A	A	A	A	A	A	A

1 2 3 4 5 6 7 8 9 10 11 12 13 14 15 16 17 18 19 20 21 22 23 24 25 26 27 28 29 30 31 32

A = 32 STANDARD CONTACTS L-2,9

Marking	Standard
Performance level	G2/0 = Contact area level2 / Termination tin
Flux proof	no
Fixing clip	no
Dimensions	SDA-85042-0002 sht.1
Technical Data	PS-85042-0001

A	G2/0	a1-16	c1-16
Contact symbol	Perform. level	Contact position number	

first release see ECN No. 2154	REVISIONS		FOR PREVIOUS REVISIONS SEE MRI LIST	
	REVISIONS			
▷	LTR	IF TWO DIMENSIONS ARE SHOWN, THE UPPER IS THE DESIGN DIMENSION, LOWER IS SECONDARY		
		DESIGN DIMENSION	<input type="checkbox"/> MM	<input type="checkbox"/> IN.
		EQUIVALENT DIMENSION	<input type="checkbox"/> MM	<input type="checkbox"/> IN.
		DRAFT WHERE APPLICABLE MUST REMAIN WITHIN DIMENSIONS		
		3 PLACE	±	±
		2 PLACE	±	±
		1 PLACE	±	±
		DRWG BY	CC	SIGN
		CHK'D BY	KN	SIGN
		APP'D BY		SIGN
		SCALE		
		UNLESS OTHERWISE SPECIFIED TOLERANCES: ANGULAR ± 2°		
		INCH METRIC		
		THIS DRAWING CONTAINS PROPRIETARY TO MOLEX INC. & SHOULD NOT BE USED WITHOUT WRITTEN PERMISSION		
		CAD/CAM PROJECT NAME	s8504200	s71
		REVISE ONLY ON CAD SYSTEM		SH. REV.
		TITLE		SHEET NO. DATE
		48 pos. female connector acc. DIN 41612 style C/2 contacts arrangement		1 OF 1 96/05/23
		MOLEX EUROPE		DWG NO. PART NO.
		85042-0074		SDA-85042-0074
		SIZE		A