

**PLEASE CHECK WWW.MOLEX.COM FOR LATEST PART INFORMATION**

**Part Number:** [0399800411](#)  
**Status:** **Active**  
**Description:** 5.08mm (.200") Pitch Beau™ Eurostyle™ Surface Mount Compatible Locking Header, 11 Circuits

**Documents:**

[3D Model](#) [RoHS Certificate of Compliance \(PDF\)](#)  
[Drawing \(PDF\)](#)

**Agency Certification**

UL E48521

**General**

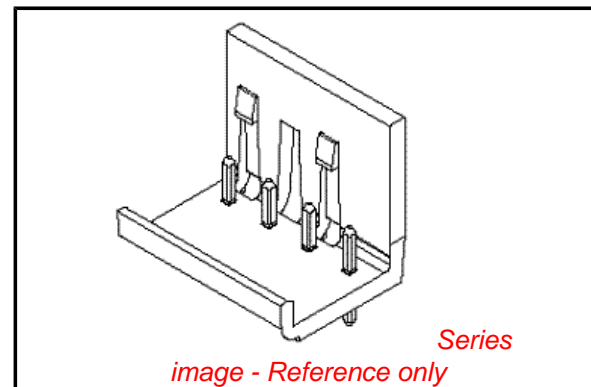
Product Family	Terminal Blocks
Series	<a href="#">39980</a>
Application	Wire-to-Board
Comments	Gold plating available
Component Type	PCB Header
Product Literature Order No	USA-267
Product Name	Eurostyle™ Pluggable
Type	Euro Block

**Physical**

Circuits (Loaded)	11
Color - Resin	Black
Entry Angle	N/A
Flammability	94V-0
Lock to Mating Part	Yes
Material - Plating Mating	Tin
Material - Plating Termination	Tin
Material - Resin	Nylon
Number of Rows	1
Orientation	Vertical
PC Tail Length (in)	0.150 In
PC Tail Length (mm)	3.81 mm
PCB Retention	None
PCB Thickness Recommended (in)	0.062 In
PCB Thickness Recommended (mm)	1.60 mm
Panel Mount	No
Pitch - Mating Interface (in)	0.200 In
Pitch - Mating Interface (mm)	5.08 mm
Pitch - Term. Interface (in)	0.200 In
Pitch - Term. Interface (mm)	5.08 mm
Plating min: Mating (µin)	150
Plating min: Mating (µm)	3.75
Plating min: Termination (µin)	150
Plating min: Termination (µm)	3.75
Polarized to Mating Part	Yes
Shrouded	No
Stackable	No
Surface Mount Compatible (SMC)	No
Temperature Range - Operating	140°C
Wire Size AWG	N/A

**Electrical**

Current - Maximum per Contact 10A



**EU RoHS**

**ELV and RoHS  
Compliant**  
**REACH SVHC**  
 Not Reviewed  
**Halogen-Free  
Status**  
 Not Reviewed

**China RoHS**



**Need more information on product  
environmental compliance?**

Email [productcompliance@molex.com](mailto:productcompliance@molex.com)  
 For a multiple part number RoHS Certificate of Compliance, [click here](#)

Please visit the [Contact Us](#) section for any non-product compliance questions.

**Search Parts in this Series**

[39980Series](#)

**Mates With**

[39980-2111](#) Spring Clamp Plug, [39980-0311](#) Screw Clamp Plug

Voltage - Maximum

300V

**Material Info**

Old Part Number

981511

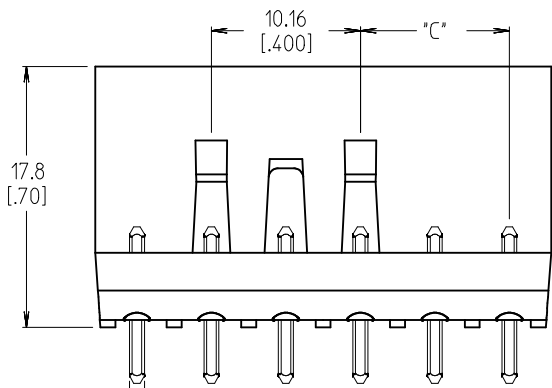
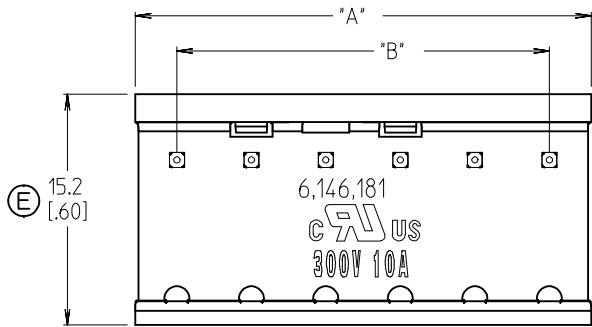
**Reference - Drawing Numbers**

Sales Drawing

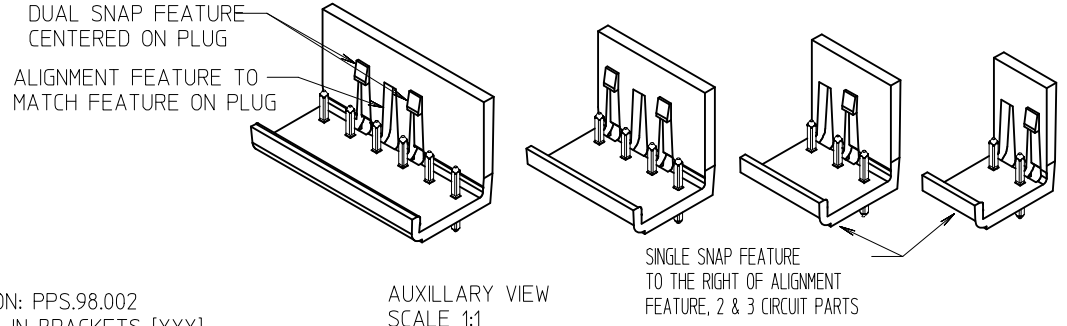
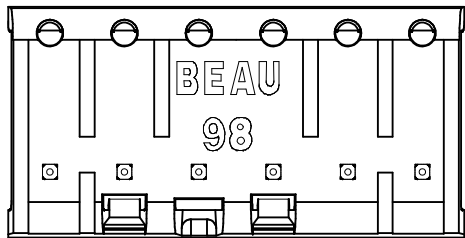
SD-39980-006

This document was generated on 04/27/2010

**PLEASE CHECK [WWW.MOLEX.COM](http://WWW.MOLEX.COM) FOR LATEST PART INFORMATION**

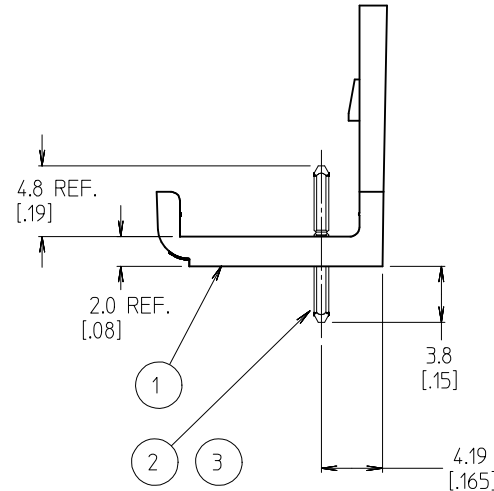


1.00 SQ. [0.039] TYP.



NOTES:

1. MATERIAL: SEE TABLE
2. FINISHES: SEE TABLE
3. PRODUCT SPECIFICATION: PPS.98.002
4. INCH DIMS ARE SHOWN IN BRACKETS [XXX].
5. \*XX\* REFERS TO QTY. OF CIRCUITS.
6. ASSEMBLY IS ROHS COMPLIANT.
7. REPLACES DWG. SD-39980-0402.



NUMBER OF CIRCUITS *XX*	DIM. 'A'	DIM. 'B'	DIM. 'C' *013	MATERIAL NO. TIN (STD)	MATERIAL NO. GOLD OPTION
02	10.77 [0.424]	5.08 [0.200]	N/A	39980-0402	39981-0402
03	15.85 [0.624]	10.16 [0.400]	5.08 [0.200]	39980-0403	39981-0403
04	20.93 [0.824]	15.24 [0.600]	5.08 [0.200]	39980-0404	39981-0404
05	26.01 [1.024]	20.32 [0.800]	5.08 [0.200]	39980-0405	39981-0405
06	31.09 [1.224]	25.40 [1.000]	10.16 [0.400]	39980-0406	39981-0406
07	36.17 [1.424]	30.48 [1.200]	10.16 [0.400]	39980-0407	39981-0407
08	41.25 [1.624]	35.56 [1.400]	15.24 [0.600]	39980-0408	39981-0408
09	46.33 [1.824]	40.64 [1.600]	15.24 [0.600]	39980-0409	39981-0409
10	51.41 [2.024]	45.72 [1.800]	20.32 [0.800]	39980-0410	39981-0410
11	56.49 [2.224]	50.80 [2.000]	20.32 [0.800]	39980-0411	39981-0411
12	61.57 [2.424]	55.88 [2.200]	25.40 [1.000]	39980-0412	39981-0412
13	66.65 [2.624]	60.96 [2.400]	25.40 [1.000]	39980-0413	39981-0413
14	71.73 [2.824]	66.04 [2.600]	30.48 [1.200]	39980-0414	39981-0414
15	76.81 [3.024]	71.12 [2.800]	30.48 [1.200]	39980-0415	39981-0415
16	81.89 [3.224]	76.20 [3.000]	35.56 [1.400]	39980-0416	39981-0416
17	86.97 [3.424]	81.28 [3.200]	35.56 [1.400]	39980-0417	39981-0417
18	92.05 [3.624]	86.36 [3.400]	40.64 [1.600]	39980-0418	39981-0418
19	97.13 [3.824]	91.44 [3.600]	40.64 [1.600]	39980-0419	39981-0419
20	102.21 [4.024]	96.52 [3.800]	45.72 [1.800]	39980-0420	39981-0420
21	107.29 [4.224]	101.60 [4.000]	45.72 [1.800]	39980-0421	39981-0421
22	112.37 [4.424]	106.68 [4.200]	50.80 [2.000]	39980-0422	39981-0422
23	117.45 [4.624]	111.76 [4.400]	50.80 [2.000]	39980-0423	39981-0423
24	122.53 [4.824]	116.84 [4.600]	55.88 [2.200]	39980-0424	39981-0424

ITEM	QTY.	DESCRIPTION	MATERIAL	FINISH
3	XX	HEADER PIN GOLD	BRASS	GOLD
2	XX	HEADER PIN	BRASS	TIN
1	1	INSULATOR	NYLON	BLACK

WIDTH WAS .62/IS .60 EC NO: MNA2009-0464 DRW:NYLON 2009/02/03 CHKD:RDEROSS 2009/02/05 APPR:RDEROSS 2009/02/09	QUALITY SYMBOLS	GENERAL TOLERANCES (UNLESS SPECIFIED)	DIMENSION STYLE	SCALE	DESIGN UNITS	THIRD ANGLE PROJECTION
	▽=0	mm INCH	MM/IN	3:1	INCH	☉
	▽=0	4 PLACES ± --- ± ---	DRAWN BY DATE	TITLE <b>5.08/200 SINGLE ROW EUROSTYLE HEADER ASSEMBLY</b>		
		3 PLACES ± --- ± .005	R. KEMP 2001/12/05			
	2 PLACES ± 0.13 ± .01	CHECKED BY DATE	MOLEX INCORPORATED DOCUMENT NO. SD-39980-006 SHEET NO. 1 OF 1			
	1 PLACE ± 0.3 ± ---	R. KEMP 2003/10/07				
	ANGULAR ± 2 °	APPROVED BY DATE	THIS DRAWING CONTAINS INFORMATION THAT IS PROPRIETARY TO MOLEX INCORPORATED AND SHOULD NOT BE USED WITHOUT WRITTEN PERMISSION			
		L. ROTHBAUS 2003/10/17				
		MATERIAL NO.				
		DRAFT WHERE APPLICABLE MUST REMAIN WITHIN DIMENSIONS				
		SIZE B				