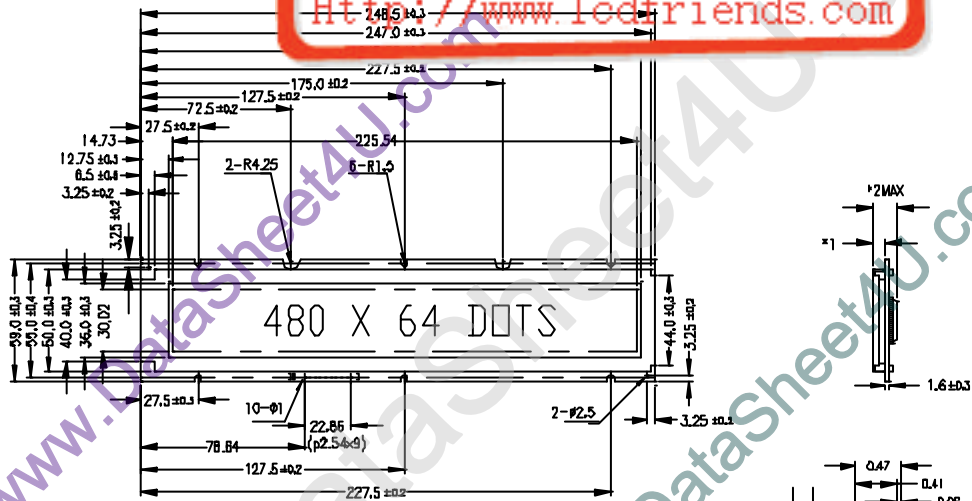


液晶之友 电话: 020-33819057

Http://www.ledfriends.com



1	2	3	4	5	6	7	8	9	10
D1	FLM	M	CL1	CL2	NC	VDD	VSS	VEE	VO

TYPE	+1	+2
R&EL	6.D	12.D
LED	-	-

