

Digital Delay Units

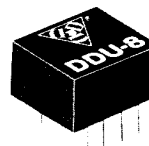
SERIES: DDU-8

**T²L Interfaced, 5 Outputs
8 pin DIP**



Features:

- Low Cost.
- Completely interfaced for TTL.
- Low profile.
- Fits standard 8 pins DIP socket.

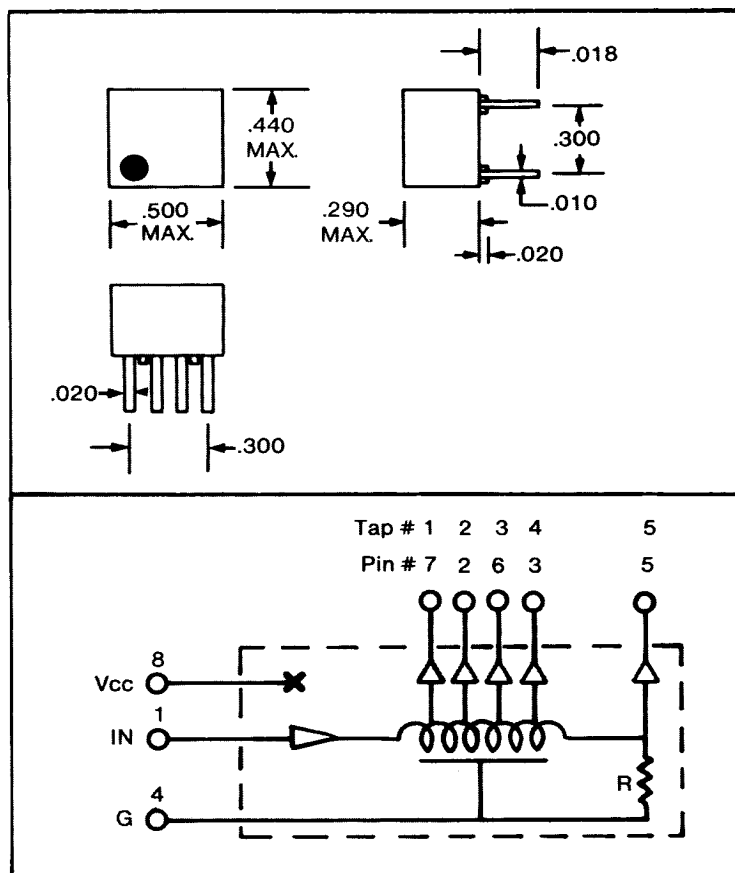


Specifications:

- **Outputs:** 5, equally spaced.
- **Delay Tolerance:** see table.
- **Rise-time:** 4 NS typ.
- **Minimum pulse width:** 40% of total delay.
- **Temperature range:** 0°C to + 70°C.
- **Temperature coefficient:** 100 PPM/°C.
- **Supply voltage:** 4.75 to 5.25 Vdc.
- **Input signal requirement:** TTL logic.
- **Output fan-out:** TTL Schottky load.
- **Power dissipation:** 375 MW max.

Part No.	Total Delay (NS)	Tap Delay (NS)
*DDU-8 5004	4 ± 1	1 ± 0.5
*DDU-8-5006	6 ± 1	1.5 ± 0.5
*DDU-8-5008	8 ± 2	2 ± 1
*DDU-8-5010	10 ± 2	2.5 ± 1
*DDU-8-5012	12 ± 2	3 ± 1
<hr/>		
*DDU-8-5016	16 ± 2	4 ± 1.5
*DDU-8-5020	20 ± 3	5 ± 2
DDU-8-5030	30 ± 3	6 ± 2
DDU-8-5035	35 ± 3	7 ± 2
DDU-8-5040	40 ± 3	8 ± 2
<hr/>		
DDU-8-5045	45 ± 3	9 ± 3
DDU-8-5050	50 ± 3	10 ± 3
DDU-8-5060	60 ± 3	12 ± 3
DDU-8-5075	75 ± 4	15 ± 3
DDU-8-5100	100 ± 5	20 ± 3
<hr/>		
DDU-8-5125	125 ± 6.5	25 ± 3
DDU-8-5150	150 ± 7.5	30 ± 3
DDU-8-5175	175 ± 8	35 ± 4
DDU-8-5200	200 ± 10	40 ± 4
DDU-8-5250	250 ± 12.5	50 ± 5

*Time delay measured with respect to 1st tap.
6 NS ± 1 NS inherent delay.



3 Mt. Prospect Avenue, Clifton, New Jersey 07013 ■ (201) 773-2299 ■ FAX (201) 773-9672 ■ TWX 710-989-7008