

8-bit Original Microcontroller

CMOS

F²MC-8L MB89530H Series

MB89537H/537HC/538H/538HC/ MB89P538/PV530

■ DESCRIPTION

The MB89530H series is a one-chip microcontroller featuring the F²MC-8L core supporting low-voltage and high-speed operation. Built-in peripheral functions include timers, serial interface, A/D converter, and external interrupt. This product is an ideal general-purpose one-chip microcontroller for a wide variety of applications from household to industrial equipment, as well as use in portable devices.

■ FEATURES

- Wide range of package options
 - Two types of QFP packages (1 mm pitch, 0.65 mm pitch)
 - LQFP package (0.5 mm pitch)
 - SH-DIP package
- Low voltage, high-speed operating capability
 - Minimum instruction execution time 0.32 μ s (at base oscillator 12.5 MHz)
- F²MC-8L CPU Core
 - Instruction set optimized for controller operation
 - Multiplication/division instructions
 - 16-bit calculation
 - Branching instructions with bit testing
 - Bit operation instructions, etc.
- Five timer systems
 - 8-bit PWM timer with 2 channels (usable as either interval timer or PWM timer)
 - Pulse width count timer (supports continuous measurement or remote control receiving applications)
 - 16-bit timer counter
 - 21-bit time base timer
 - Clock prescaler (17-bit)
 - UART
 - Synchronous or asynchronous operation, switchable
- 2 serial interfaces (Serial I/O)
 - Selection of transfer direction (specify MSB first or LSB first) for communication with a variety of devices

(Continued)

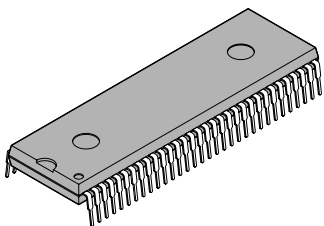
MB89530H Series

(Continued)

- 10-bit A/D converter (8 channels)
 - External clock input and time base timer output for startup support
- Pulse generators (PPG) with 2-program capability
 - 6-bit PPG with selection of pulse width and pulse period
 - 12-bit PPG (2 channels) with selection of pulse width and pulse period
- I²C interface circuits
- External interrupt 1 (4 channels)
 - 4 independent inputs, release enabled from standby mode (includes edge detection function)
- External interrupt 2 (8 channels)
 - 8 independent inputs, release enabled from standby mode (includes level edge detection function)
- Standby modes (low power consumption modes)
 - Stop mode (oscillator stops, virtually no power consumed)
 - Sleep mode (CPU stops, power consumption reduced to one-third)
 - Sub clock mode
 - Clock mode
- Watchdog timer reset
- I/O ports
 - Maximum 53 ports
 - 38 general-purpose I/O ports (CMOS)
 - 2 general-purpose I/O ports (N-ch open drain)
 - 8 general-purpose output ports (N-ch open drain)
 - 5 general-purpose input ports (CMOS)

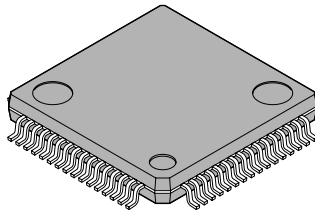
■ PACKAGES

64-pin, Plastic SH-DIP



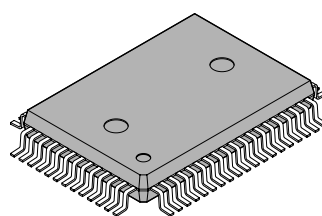
(DIP-64P-M01)

64-pin, Plastic LQFP



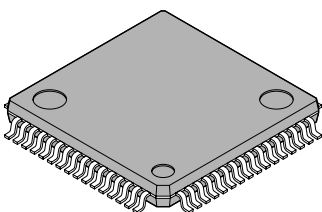
(FPT-64P-M03)

64-pin, Plastic QFP



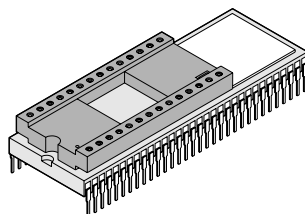
(FPT-64P-M06)

64-pin, Plastic QFP



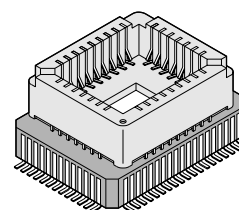
(FPT-64P-M09)

64-pin, Ceramic MDIP



(MDP-64C-P02)

64-pin, Ceramic MQFP



(MQP-64C-P01)

MB89530H Series

■ PRODUCT LINEUP

Part number		MB89537H/537HC	MB89538H/538HC	MB89P538	MB89PV530
Parameter					
Type		Mass produced (Mask ROM)		One-time programmable	Evaluation
ROM capacity		32 K × 8-bit (built-in ROM)	48 K × 8-bit (built-in ROM)	48 K × 8-bit (built-in ROM) (write from general purpose ERPOM writer)	48 K × 8-bit (external ROM) *2
RAM capacity		1 K × 8-bit	2 K × 8-bit		
Operating voltage		3.5 V to 5.5 V*1 (MB89537H/538H/537HC/538HC)		2.7 V to 5.5 V	
CPU functions		Basic instructions : 136 Instruction bit length : 8-bits Instruction length : 1 bit to 3 bits Data bit length : 1, 8, 16-bits Minimum instruction execution time : 0.32 μs / 12.5 MHz Minimum interrupt processing time : 2.88 μs / 12.5 MHz			
Peripheral functions	Ports	Input ports : 5 (4 also usable as interrupts, 2 for sub clock) Output-only ports (N-ch open drain) : 8 (8 also usable as ADC input) I/O ports (N-ch open drain) : 2 (2 also usable as SO2/SDA or SI2/SCL) I/O ports (CMOS) : 38 (21 have no other function) Total : 53			
	Time base timer	21 bits Interrupt periods at main clock oscillation frequency of 12.5 MHz (approx. 0.655 ms, 2.621 ms, 20.97 ms, 335.5 ms)			
	Watchdog timer	Reset period of approx. 167.8 ms to 335.6 ms at main clock frequency of 12.5 MHz Reset period of approx. 500 ms to 1000 ms at sub clock frequency of 32.768 kHz.			
	PWM timer	8-bit interval timer operation*3 (supports square wave output, operating clock period : 1, 8, 16, 64 t _{inst} *3) Pulse width measurement with 8-bit resolution (conversion period : 2 ⁸ t _{inst} *3 to 2 ⁸ × 64 t _{inst} *3) 2 channels (can also be used as interval timer, can also be used as ch1 output and ch2 count clock)			
Clock prescaler		Interval times at 17-bit sub clock base frequency of 32.768 kHz (approx. 31.25 ms, 0.25 s, 0.50 s, 1.00 s, 2.00 s, 4.00 s)			

(Continued)

MB89530H Series

(Continued)

Part number		MB89537H/537HC	MB89538H/538HC	MB89P538	MB89PV530
Parameter					
Peripheral functions	Pulse width count timer	8-bit one-shot timer operation (supports underflow output, operating clock period : 1, 4, 32 t_{inst}^{*3} , external) 8-bit reload timer operation (supports square wave output, operating clock period : 1, 4, 32 t_{inst}^{*3} , external) 8-bit pulse width measurement operation (continuous measurement, H width measurement, L width measurement, \uparrow to \uparrow , \downarrow to \downarrow , H width measurement and \uparrow to \uparrow)			
	16-bit timer/counter	16-bit timer operation (operating clock period : 1 t_{inst}^{*3} , external) 16-bit event counter operation (select rising, falling, or both edges) 16-bit \times 1 ch			
	Serial I/O	8 bit length Selection of LSB first or MSB first Transfer clock (2, 8, 32 t_{inst}^{*3} , external)			
	UART/SIO	CLK synchronous/CLK asynchronous data transfer capability (8, 9 bit with parity bit, or 7, 8 bit without parity bit) . Built-in baud rate generator provides selection of 14 baud rate settings.			
	UART	CLK synchronous/CLK asynchronous data transfer capability (4, 6, 7, 8 bit with parity bit, or 5, 7, 8, 9 bit without parity bit) . Built-in baud rate generator provides selection of 14 baud rate settings. External clock input, 2-channel 8-bit PWM timer output also available for baud rate settings.			
	External interrupt 1	4-channel independent. Selection of rising, falling, or both edge detection. Can be used for recovery from standby mode (edge detection also available in stop mode)			
	External interrupt 2	8-channel independent L level detection. Can be used for recovery from standby mode.			
	6-bit PPG, 12-bit PPG	Can generate square wave signals with programmable period. 6-bit \times 1 channel or 12-bit \times 2 channels.			
	I ² C bus interface	1-channel , compatible with Intel System Administrator bus version 1.0 and Philips I ² C specifications. 2-line communications (on MB89PV530/P538/537HC/538HC)			
	A/D converter	10-bit resolution \times 8 channels. A/D conversion functions (conversion time : 60 t_{inst}^{*3}) Supports repeated calls from external clock or internal clock. Standard voltage input provided (AVR)			
Standby modes (power saving modes)	Sleep mode, stop mode, sub clock mode, clock mode.				
Process	CMOS				

*1 : Depends on operating frequency.

*2 : Using external ROM and MBM27C512.

*3 : t_{inst} represents instruction execution time. This can be selected as 1/4, 1/8, 1/16, 1/64 of the main clock cycle or 1/2 of the sub clock cycle.

Note : MB89537H/538H have no built-in I²C functions.

To use I²C functions, choose the MB89PV530/MB89P538/537HC/538HC.

■ MODEL DIFFERENCES AND SELECTION CONSIDERATIONS

Part number Package	MB89537H/537HC	MB89538H/538HC	MB89P538	MB89PV530
DIP-64P-M01	O	O	O	X
FPT-64P-M03	O	O	X	X
FPT-64P-M06	O	O	O	X
FPT-64P-M09	O	O	O	X
MDP-64C-P02	X	X	X	O
MQP-64C-P01	X	X	X	O

O : Model-package combination available

X : Model-package combination not available

Conversion sockets for pin pitch conversion (manufactured by Sunhayato) can be used.

Contact : Sunhayato TEL +81-3-3984-7791 (Tokyo)

■ DIFFERENCES AMONG PRODUCTS

1. Memory Capacity

When this product is used in a piggy-back or other evaluation configuration, it is necessary to carefully confirm the differences between the model being used and the product it is evaluating. Particular attention should be given to the following (see “■CPU CORE 1.Memory Space”) .

- The program ROM area starts from address 4000_H on the MB89P538 and MB89PV530 models.
- Note upper limits on RAM, such as stack areas, etc.

2. Current Consumption

- On the MB89PV530, the additional current consumed by the EPROM is added at the connecting socket on the back side.
- When operating at low speed, the current consumption in the one-time PROM or EPROM models is greater than on the mask ROM models. However, current consumption in sleep or stop modes is identical.

For details, refer to “■ELECTRICAL CHARACTERISTICS”.

3. Mask Options

The options available for use, and the method of specifying options, differ according to the model. Before use, check the “■ MASK OPTIONS” specification section.

4. Wild Register Functions

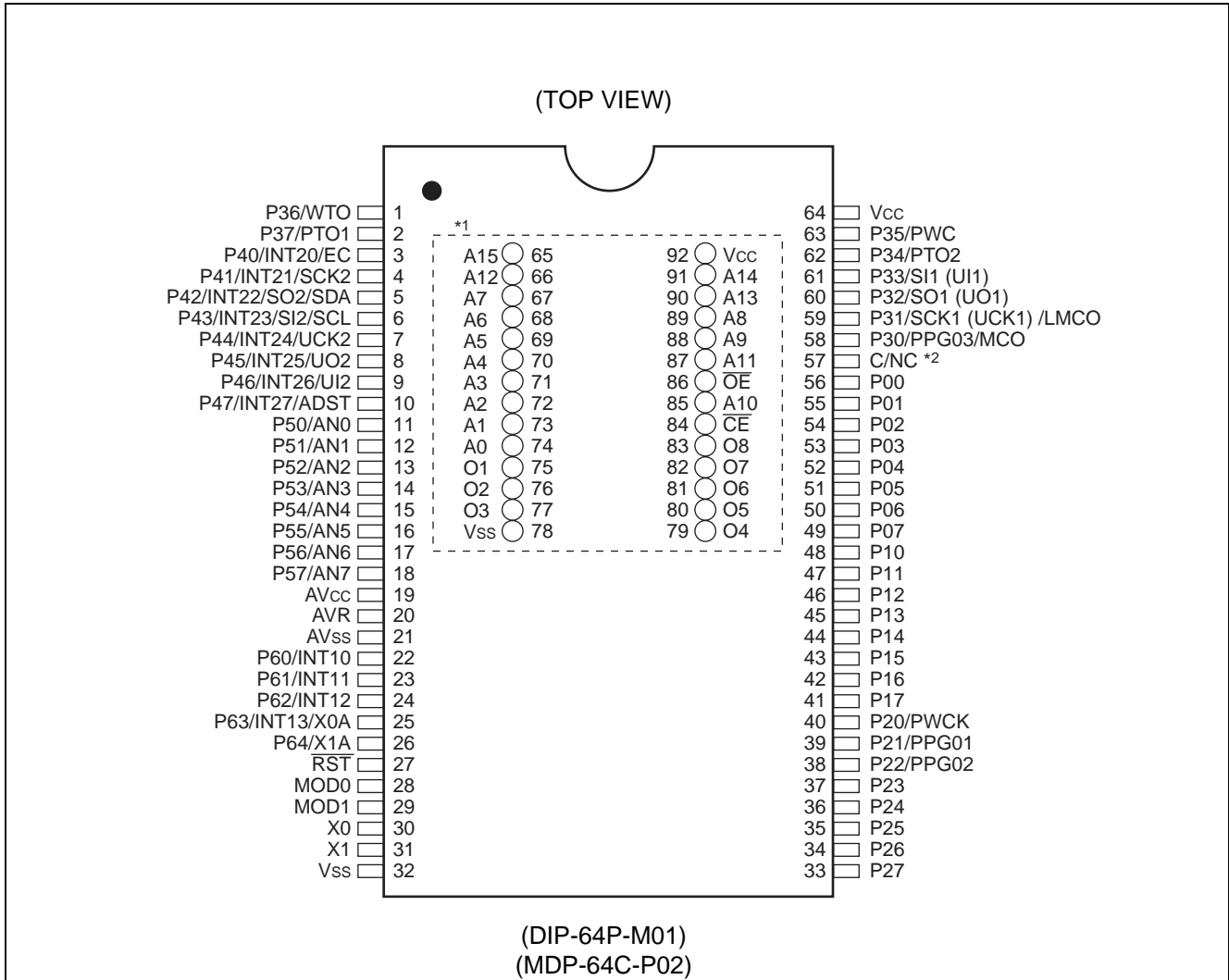
The following table shows areas in which wild register functions can be used.

Wild Register Usage Areas

Part number	Address space
MB89PV530	4000 _H to FFFF _H
MB89P538	4000 _H to FFFF _H
MB89537H/537HC	8000 _H to FFFF _H
MB89538H/538HC	4000 _H to FFFF _H

MB89530H Series

PIN ASSIGNMENTS



*1 : Package top pin assignments (MB89PV530 only)

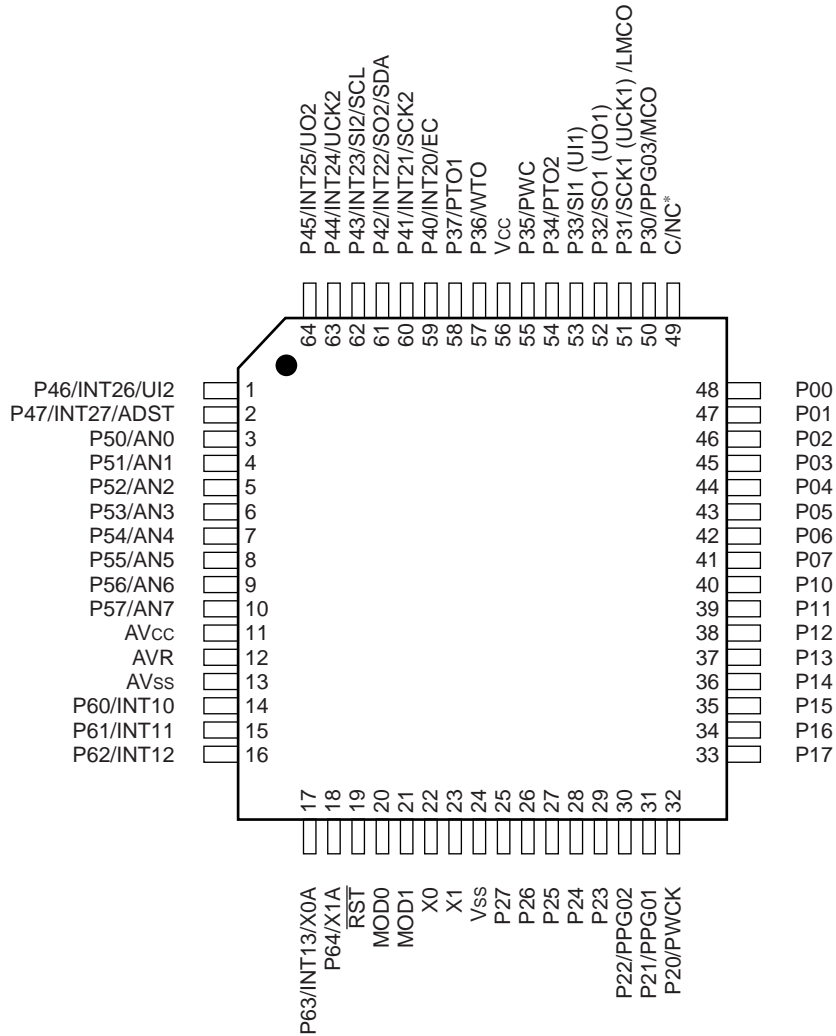
Pin no.	Pin name	Pin no.	Pin name	Pin no.	Pin name	Pin no.	Pin name
65	A15	73	A1	81	O6	89	A8
66	A12	74	A0	82	O7	90	A13
67	A7	75	O1	83	O8	91	A14
68	A6	76	O2	84	\overline{CE}	92	Vcc
69	A5	77	O3	85	A10		
70	A4	78	Vss	86	\overline{OE}		
71	A3	79	O4	87	A11		
72	A2	80	O5	88	A9		

N.C. : Internal connection only. Not for use.

*2 : The function of pin 57 depends on the model. For details, see "■ HANDLING DEVICES".

(Continued)

(TOP VIEW)



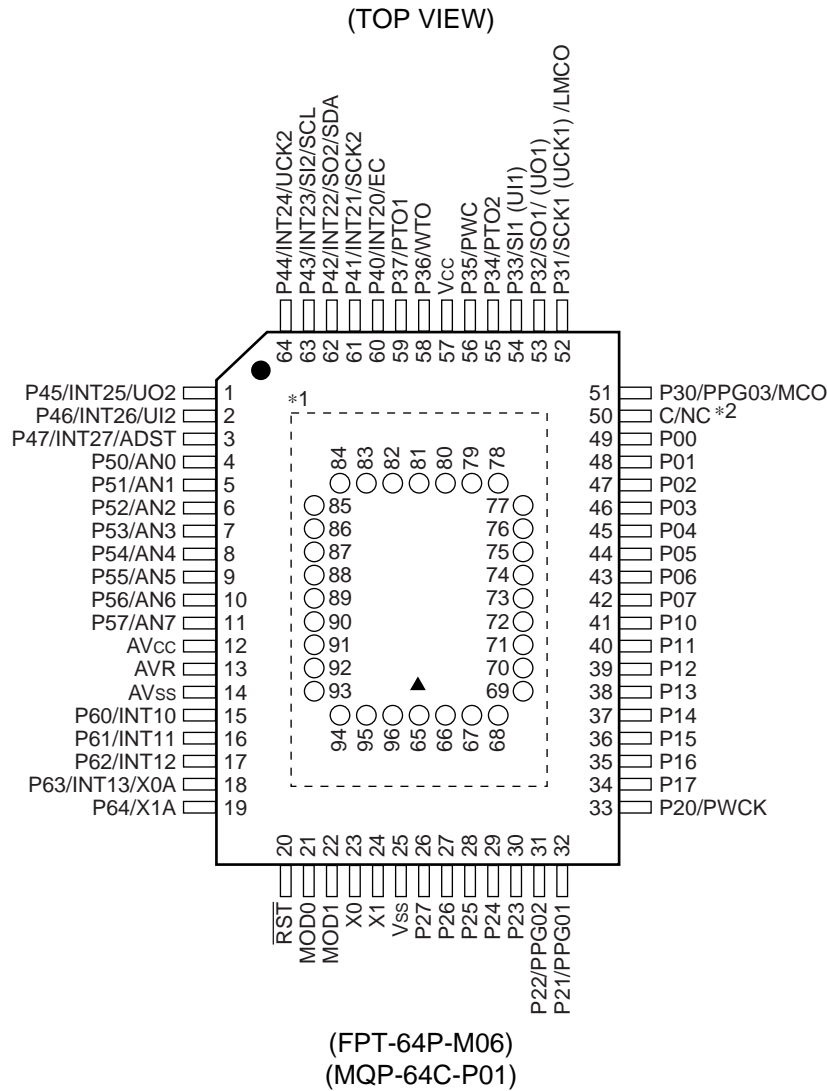
(FPT-64P-M03)
(FPT-64P-M09)

* : The function of pin 49 depends on the model. For details, see "■ HANDLING DEVICES".

(Continued)

MB89530H Series

(Continued)



*1 : Package top pin assignments (MB89PV530 only)

Pin no.	Pin name	Pin no.	Pin name	Pin no.	Pin name	Pin no.	Pin name
65	N.C.	73	A2	81	N.C.	89	\overline{OE}
66	A15	74	A1	82	O4	90	N.C.
67	A12	75	A0	83	O5	91	A11
68	A7	76	N.C.	84	O6	92	A9
69	A6	77	O1	85	O7	93	A8
70	A5	78	O2	86	O8	94	A13
71	A4	79	O3	87	\overline{CE}	95	A14
72	A3	80	V _{SS}	88	A10	96	V _{CC}

N.C. : Internal connection only. Not for use.

*2 : The function of pin 50 depends on the model. For details, see "■ HANDLING DEVICES".

■ PIN DESCRIPTIONS

Pin no.			Pin name	I/O circuit type	Function
SH-DIP*1 MDIP*2	QFP*3 MQFP*4	LQFP*5 QFP*6			
30	23	22	X0	A	Connecting pins to crystal oscillator circuit or other oscillator circuit. The X0 pin can connect to an external clock. In that case, X1 is left open.
31	24	23	X1		
28	21	20	MOD0	B	Input pins for memory access mode setting. Connect directly to Vss.
29	22	21	MOD1		
27	20	19	$\overline{\text{RST}}$	C	Reset I/O pin. This pin has pull-up resistance with CMOS I/O or hysteresis input. At an internal reset request, an 'L' signal is output. An 'L' level input initializes the internal circuits.
56 to 49	49 to 42	48 to 41	P00 to P07	D	General purpose I/O ports.
48 to 41	41 to 34	40 to 33	P10 to P17	D	General purpose I/O ports.
40	33	32	P20/PWCK	E	General purpose I/O port.Resource I/O pin (hysteresis input).Hysteresis input. This pin also functions as a PWC input.
39	32	31	P21/ PPG01	D	General purpose I/O port.This pin also functions as the PPG01 output.
38	31	30	P22/ PPG02	D	General purpose I/O port.This pin also functions as the PPG02 output.
37	30	29	P23	D	General purpose I/O port.
36	29	28	P24	D	General purpose I/O port.
35	28	27	P25	D	General purpose I/O port.
34	27	26	P26	D	General purpose I/O port.
33	26	25	P27	D	General purpose I/O port.
58	51	50	P30/ PPG03/ MCO	D	General purpose I/O port.This pin also functions as the PPG03 output.
59	52	51	P31/SCK1 (UCK1) / LMCO	E	General purpose I/O port.Resource I/O pin (hysteresis input).This pin also functions as the UART/SIO clock input/output pin.
60	53	52	P32/SO1 (UO1)	D	General purpose I/O port.This pin also functions as the UART/SIO serial data output pin.
61	54	53	P33/SI1 (UI1)	E	General purpose I/O port.Resource input/output pin (hysteresis input).This pin also functions as the UART/SIO serial data input pin.
62	55	54	P34/PTO2	D	General purpose I/O port.This pin also functions as the PWM time 2 output pin.
63	56	55	P35/PWC	E	General purpose I/O port.Resource I/O pin (hysteresis input).This pin also functions as a PWC input.

(Continued)

MB89530H Series

Pin no.			Pin name	I/O circuit type	Function
SH-DIP*1 MDIP*2	QFP*3 MQFP*4	LQFP*5 QFP*6			
1	58	57	P36/WTO	D	General purpose I/O port.Resource output. This pin also functions as the PWC output pin.
2	59	58	P37/PTO1	D	General purpose I/O port.Resource output. This pin also functions as the PWM timer 1 output pin.
3	60	59	P40/INT20/ EC	E	General purpose I/O port.Resource I/O pin (hysteresis input)This pin also functions as an external interrupt input or 16-bit timer/counter input.
4	61	60	P41/INT21/ SCK2	E	General purpose I/O port.Resource I/O pin (hysteresis input)This pin also functions as an external interrupt input or SIO clock I/O pin.
5	62	61	P42/INT22/ SO2/SDA	G	N-ch open drain output. Resource I/O pin (hysteresis only for INT22 input) . This pin also functions as an external interrupt input, SIO serial data output, or I ² C data line.
6	63	62	P43/INT23/ SI2/SCL	G	N-ch open drain output. Resource I/O pin (hysteresis only for INT23 input) . This pin also functions as an external interrupt, SIO serial data input, or I ² C clock I/O pin.
7	64	63	P44/INT24/ UCK2	E	General purpose I/O port. Resource I/O pin (hysteresis input) . This pin also functions as an external interrupt input or UART clock I/O pin.
8	1	64	P45/INT25/ UO2	E	General purpose I/O port. Resource I/O pin (hysteresis input) . This pin also functions as an external interrupt input or UART data output pin.
9	2	1	P46/INT26/ UI2	E	General purpose I/O port. Resource I/O pin (hysteresis input) . This pin also functions as an external interrupt input or UART data input pin.
10	3	2	P47/INT27/ ADST	E	General purpose I/O port. Resource I/O pin (hysteresis input) . This pin also functions as an external interrupt input or A/D converter clock input pin.
11 to 18	4 to 11	3 to 10	P50/AN0to P57/AN7	H	N-ch open drain output port. This pin also functions as an A/D converter analog input pin.
22 to 24	15 to 17	14 to 16	P60/INT10 to P62/INT12	I	General purpose input port. Resource input pin (hysteresis input) . This pin also functions as an external interrupt input pin.

(Continued)

MB89530H Series

(Continued)

Pin no.			Pin name	I/O circuit type	Function	
SH-DIP*1 MDIP*2	QFP*3 MQFP*4	LQFP*5 QFP*6				
25	18	17	P63/INT13/ X0A	I/A	General purpose input port. Resource input (hysteresis input) . This pin also functions as an external interrupt or sub clock pin.	
26	19	18	P64/X1A	J/A	General purpose input port. This pin also functions as a sub clock pin.	
64	57	56	V _{CC}	—	Power supply pin.	
32	25	24	V _{SS}	—	Ground pin (GND) .	
19	12	11	AV _{CC}	—	A/D converter power supply pin.	
20	13	12	AVR	—	A/D converter reference voltage input pin.	
21	14	13	AV _{SS}	—	A/D converter power supply pin. Used at the same voltage level as the V _{SS} supply.	
57	50	49	C	—	MB89537H/537HC MB89538H/538HC	Capacitor connection pin for stabilizing power supply connect an external ceramic capacitor of approximately 0.1μF.
					MB89P538	If you select Yes for voltage step-down circuit stabilization time, this pin is fixed to V _{CC} . If you select No for voltage step-down circuit stabilization time, this pin is fixed to V _{SS} .
					MB89PV530	N.C. pin

*1 : DIP-64P-M01

*2 : MDP-64C-P02

*3 : FPT-64P-M06

*4 : MQP-64C-P01

*5 : FPT-64P-M03

*6 : FPT-64P-M09

MB89530H Series

External EPROM Socket Pin Function Descriptions (MB89PV530 only)

Pin no.		Pin name	I/O Circuit type	Function
MDIP*1	MQFP*2			
65	66	A15	O	Address output pins.
66	67	A12		
67	68	A7		
68	69	A6		
69	70	A5		
70	71	A4		
71	72	A3		
72	73	A2		
73	74	A1		
74	75	A0		
75	77	O1	I	Data input pins
76	78	O2		
77	79	O3		
78	80	V _{SS}	O	Power supply pin (GND) .
79	82	O4	I	Data input pins.
80	83	O5		
81	84	O6		
82	85	O7		
83	86	O8		
84	87	\overline{CE}	O	ROM chip enable pin. Outputs an "H" level signal in standby mode.
85	88	A10	O	Address output pin.
86	89	\overline{OE}	O	ROM output enable pin. Outputs "L" at all times.
87	91	A11	O	Address output pins.
88	92	A9		
89	93	A8		
90	94	A13	O	
91	95	A14	O	
92	96	V _{CC}	O	EPROM power supply pin.
—	65 76 81 90	N.C.	O	Internally connected. These pins always left open.

*1 : MDP-64C-P02

*2 : MQP-64C-P01

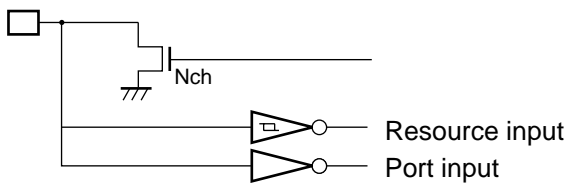
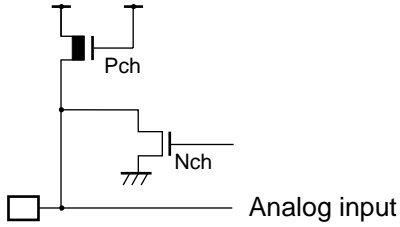
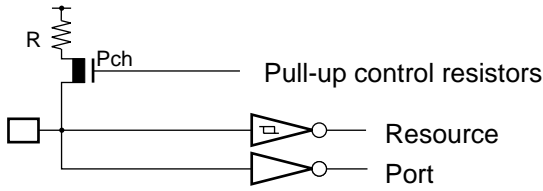
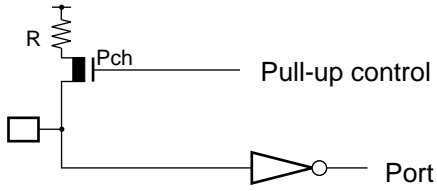
I/O CIRCUIT TYPES

Type	Circuit	Remarks
A		Oscillator feedback resistance <ul style="list-style-type: none"> • High speed side = approx. 1 MΩ • Low speed side = approx. 10 MΩ
B		<ul style="list-style-type: none"> • Hysteresis input • Pull-down resistance built-in to MB89535A MB89537H/537HC MB89538H/538HC
C		<ul style="list-style-type: none"> • Pull-up resistance approx. 50 kΩ • Hysteresis input
D	<p>Pull-up control resistor</p>	<ul style="list-style-type: none"> • CMOS I/O • Software pull-up resistance can be used. Approx. 50 kΩ
E	<p>Pull-up control resistors</p> <p>Port input</p> <p>Resource input</p>	<ul style="list-style-type: none"> • CMOS I/O • Software pull-up resistance can be used. Approx. 50 kΩ

(Continued)

MB89530H Series

(Continued)

Type	Circuit	Remarks
G		<ul style="list-style-type: none"> • N-ch open drain output • Hysteresis input • CMOS input
H		<ul style="list-style-type: none"> • N-ch open drain output • Analog input (A/D converter)
I		<ul style="list-style-type: none"> • Hysteresis input • CMOS input • Software pull-up resistance can be used. Approx. 50 kΩ
J		<ul style="list-style-type: none"> • CMOS input • Software pull-up resistance can be used. Approx. 50 kΩ

■ HANDLING DEVICES

1.Preventing Latchup

Care must be taken to ensure that maximum voltage ratings are not exceeded (to prevent latchup) . When CMOS integrated circuit devices are subjected to applied voltages higher than V_{cc} at input and output pins (other than medium- and high-withstand voltage pins), or to voltages lower than V_{ss} , as well as when voltages in excess of rated levels are applied between V_{cc} and V_{ss} , the phenomenon known as latchup can occur.

When a latchup condition occurs, supply current can increase dramatically and may destroy semiconductor elements. In using semiconductor devices, always take sufficient care to avoid exceeding maximum ratings.

Also when switching power on or off to analog systems, care must be taken that analog power supplies (AV_{cc} , AVR) and analog input signals do not exceed the level of the digital power supply.

2.Power Supply Voltage Fluctuations

Keep supply voltage levels as stable as possible.

Even within the warranted operating range of the V_{cc} supply voltage, sudden changes in supply voltage can cause abnormal operation. As a measure for stability, it is recommended that the V_{cc} ripple fluctuation (peak to peak value) should be kept within 10% of the reference V_{cc} value on commercial power supply (50 Hz-60 Hz), and instantaneous voltage fluctuations such as at power-on and shutdown should be kept within a transient variability limit of 0.1V/ms.

3.Treatment of Unused Input Pins

If unused input pins are left open, abnormal operation may result. Any unused input pins should be connected to pull-up or pull-down resistance.

4. Treatment of N.C. Pins

Any pins marked 'NC' (not connected) must be left open.

5. Treatment of Power Supply Pins on Models with Built-in A/D Converter

Even when A/D converters are not in use, pins should be connected so that $AV_{cc} = V_{cc}$ and $AV_{ss} = AVR = V_{ss}$.

6. Precautions for Use of External Clock

Even when an external clock signal is used, an oscillator stabilization wait period is used after a power-on reset, or escape from sub clock mode or stop mode.

7. Execution of Programs on RAM

Debugging of programs executed on RAM cannot be performed even when using the MB89PV530.

8.Wild Register Functions

Wild registers cannot be debugged with the MB89PV530 and tools. To verify operations, actual in-device testing on the MB89P538 is advised.

MB89530H Series

9. Details of the C pin handling for MB89530H series

MB89530H series contains the following products and the operating characteristics vary with whether they contain the internal stepdown circuit.

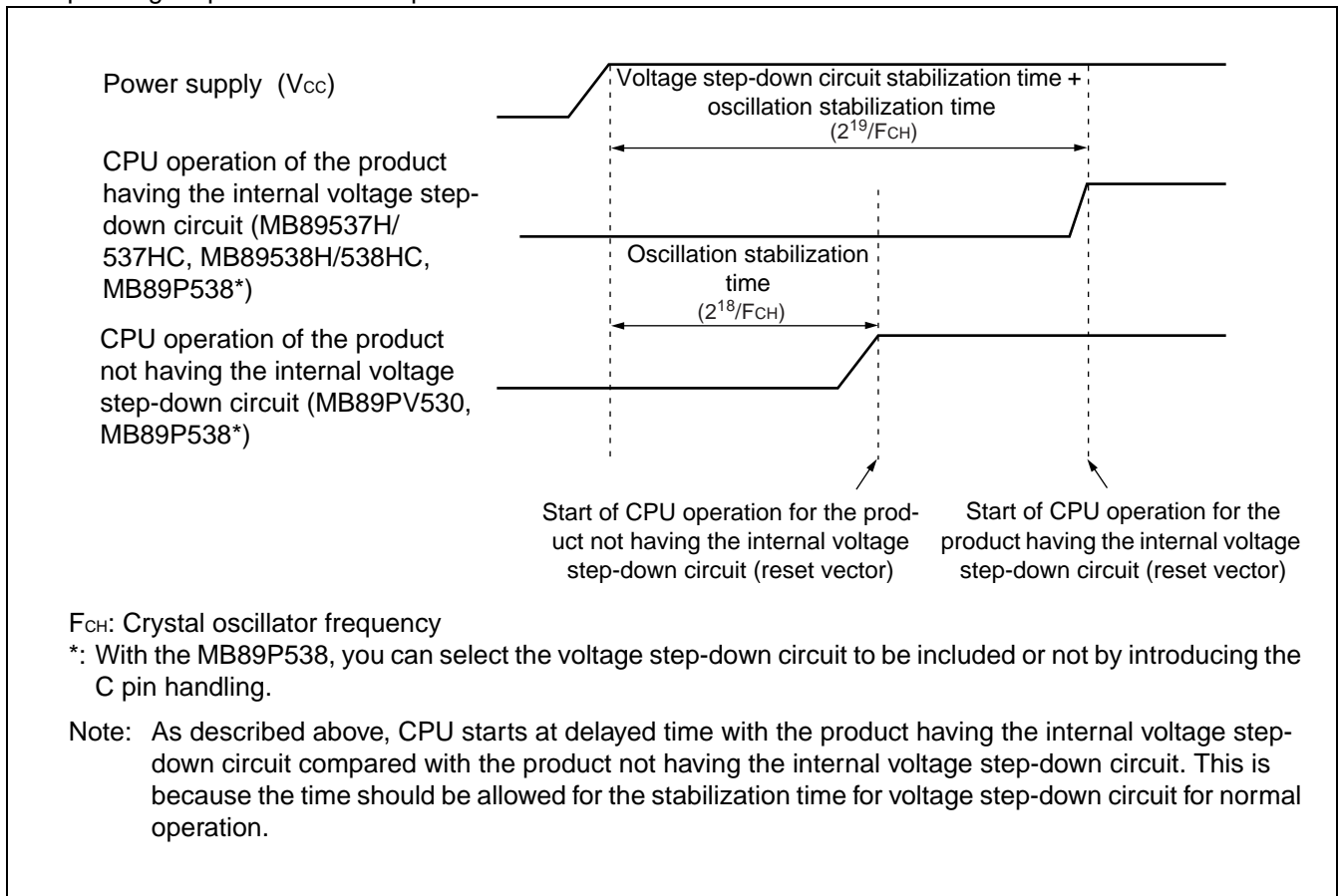
Pin handling for the products depending on the internal voltage step-down circuit

Part number	Operating voltage	Voltage step-down circuit	Pin type	Pin handling
MB89PV530	2.7 V to 5.5 V	Not included	N.C. pin	Not required
MB89P538	2.7 V to 5.5 V	Included	C pin	Fixed to V _{CC}
		Not included		Fixed to V _{SS}
MB89537H/537HC	3.5 V to 5.5 V	Included	C pin	0.1 μF capacitor connected
MB89538H/538HC	3.5 V to 5.5 V	Included	C pin	0.1 μF capacitor connected

The same built-in resources are used for the above product types; operating sequences after the power-on reset are different depending on whether they have the internal voltage step-down circuit.

The operating sequences after the power-on reset with the different models will be described below.

Operating sequences after the power-on reset with the different models



■ ONE-TIME WRITING SPECIFICATIONS WITH PROM AND EPROM MICROCONTROLLERS

The MB89P538 has a PROM mode with functions equivalent to the MBM27C1001, allowing writing with a general purpose ROM writer using a proprietary adapter. Note, however, that the use of electronic signature mode is not supported.

- ROM writer adapters

With some ROM writers, stability of writing performance is enhanced by placing an 0.1μF capacitor between the Vcc and Vss pins. The following table lists adapters for use with ROM writers.

ROM Writer Adapters

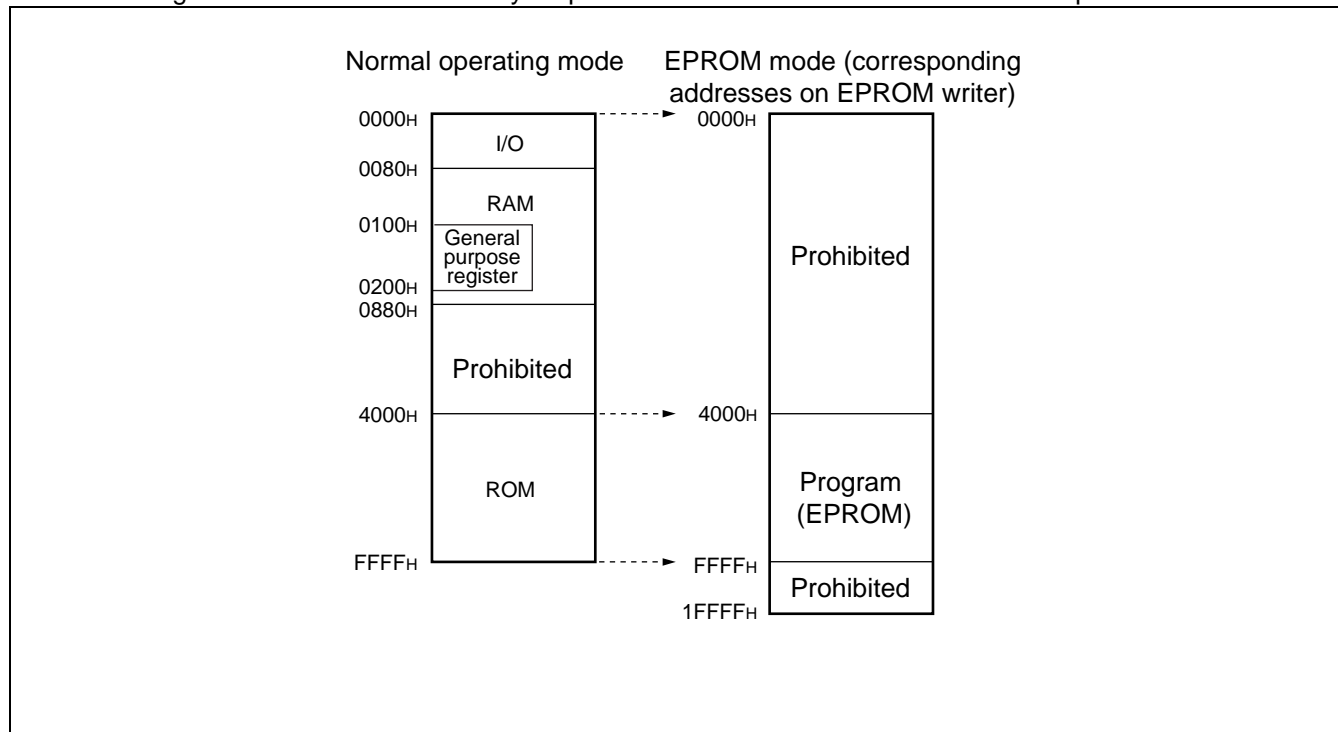
Part number	Package	Compatible adapter
MB89P538-101PF MB89P538-201PF	FPT-64P-M06	ROM-64QF-32DP-8LA2*
MB89P538-101PFM MB89P538-201PFM	FPT-64P-M09	ROM-64QF2-32DP-8LA
MB89P538-101P-SH MB89P538-201P-SH	DIP-64P-M01	ROM-64SD-32DP-8LA2*

Inquiries should be addressed to Sunhayato, Ltd., : TEL +81-3-3984-7791

* : Version 3 or later should be used.

- Memory map for EPROM mode

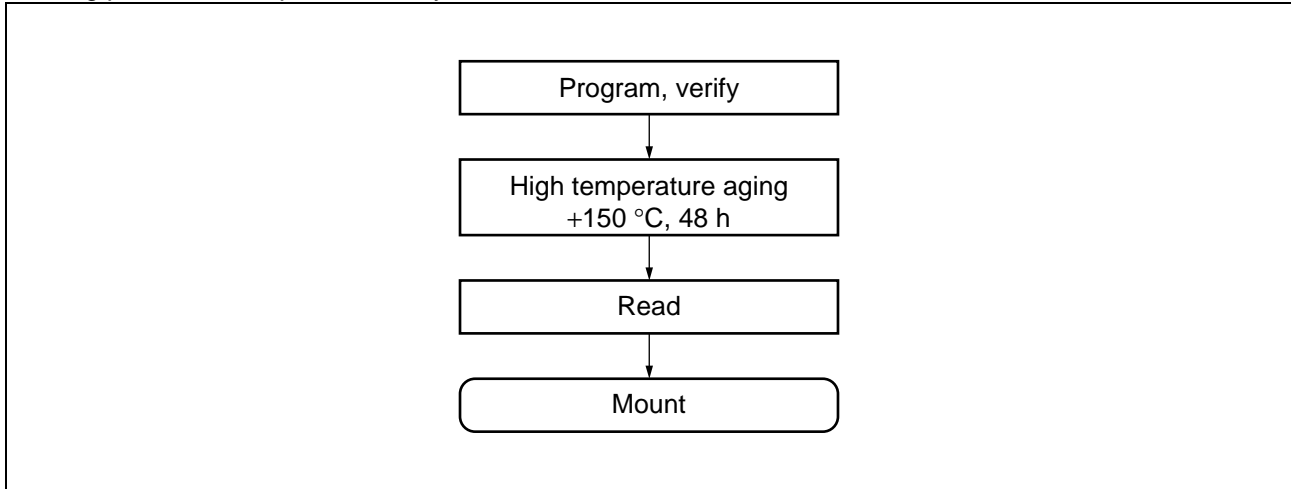
The following illustration shows a memory map for EPROM mode. There are no PROM options.



MB89530H Series

- Recommended screening conditions

Before one-time writing of microcontroller programs to PROM, high temperature aging is recommended as a screening process for chips before they are mounted.



- About writing yields

The nature of chips before one-time writing of microcontroller programs to PROM prevents the use of all-bit writing tests. Therefore it is not possible to guarantee writing yields of 100% in some cases.

■ EPROM WRITING TO PIGGY-BACK/EVALUATION CHIPS

This section describes methods of writing to EPROM on piggy-back/evaluation chips.

- EPROM model

MBM27C512-20TV

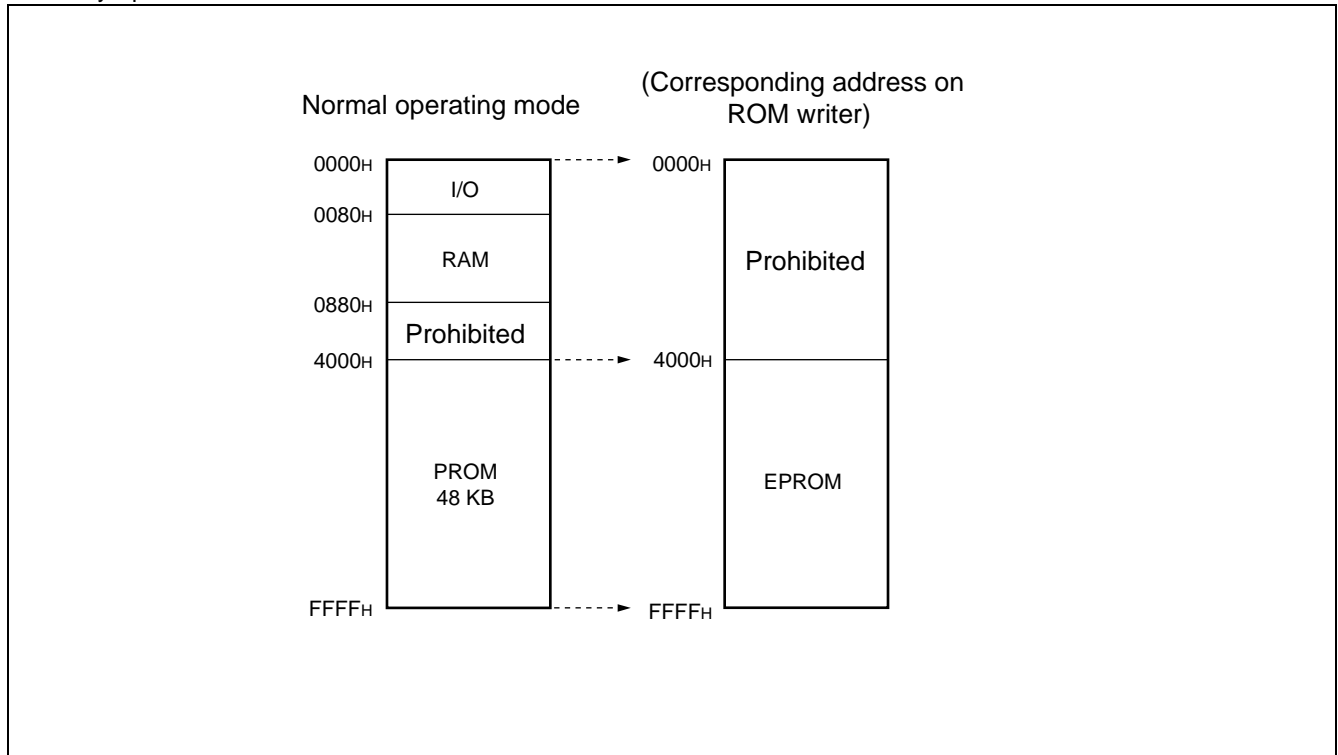
- Writer adapter

For writing to EPROM using a ROM writer, use one of the writer adapters shown below (manufactured by Sunhayato).

Package	Adapter socket model
LCC-32 (rectangular)	ROM-32LC-28DP-YG

Inquiries should be addressed to Sunhayato, Ltd., : TEL +81-3-3984-7791

- Memory Space

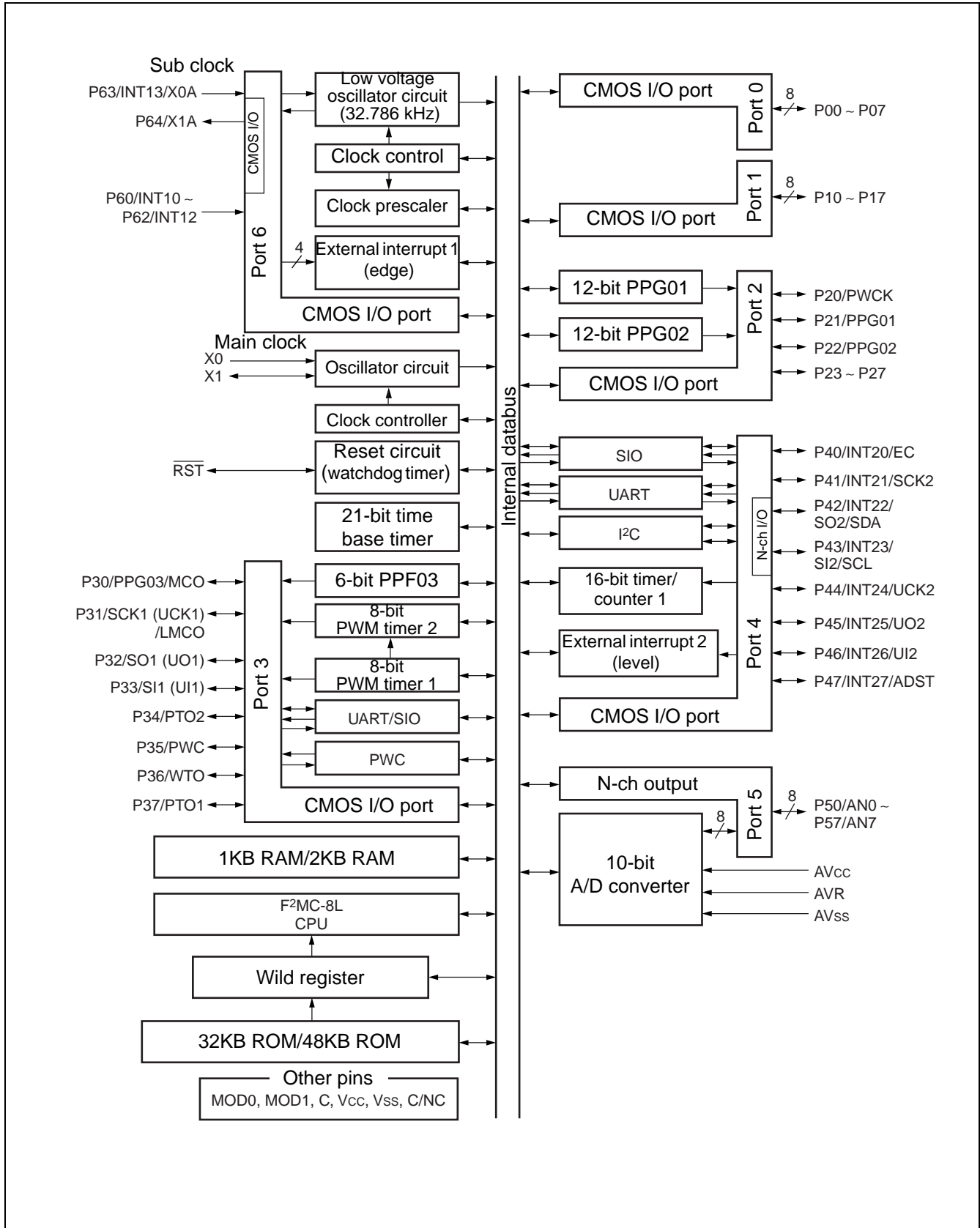


- Writing to EPROM

- 1) Set up the EPROM writer for the MBM27C512.
- 2) Load program data to the ERPOM writer, in the area 4000_H - FFFF_H.
- 3) Use the EPROM writer to write to the area 4000_H - FFFF_H.

MB89530H Series

■ BLOCK DIAGRAM

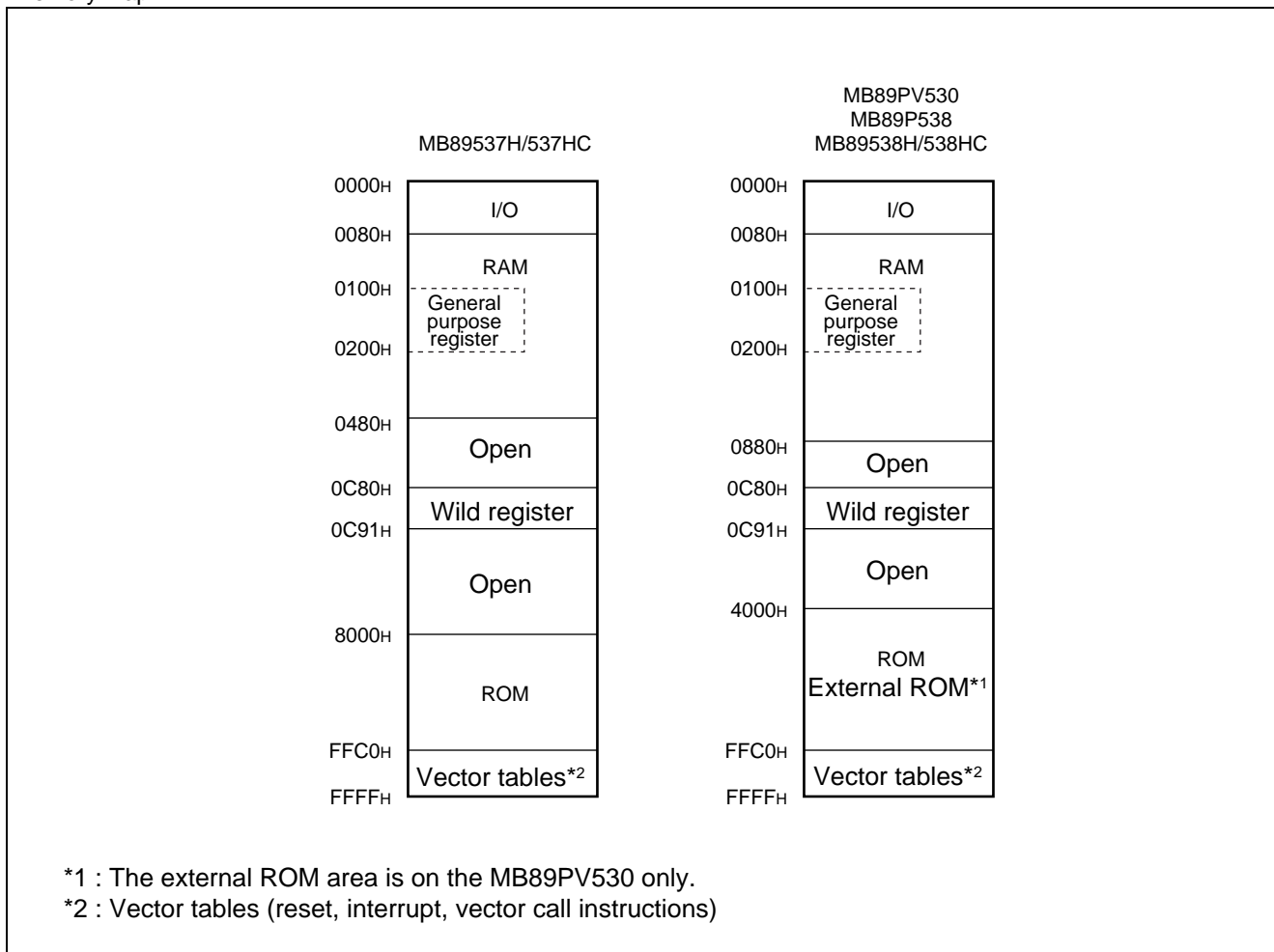


■ CPU CORE

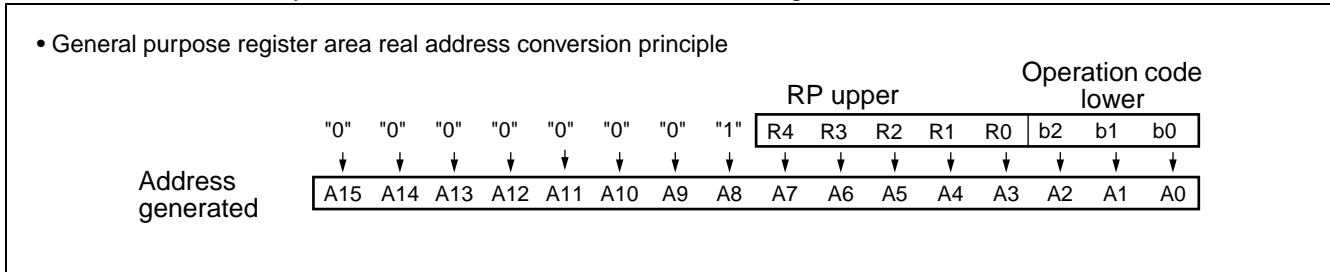
1. Memory Space

The MB89530H series has 64 KB of memory space, containing all I/O, data areas, and program areas. The I/O area is located at the lowest addresses, with the data area placed immediately above. The data area can be partitioned into register areas, stack areas, or direct access areas depending on the application. The program area is located at the opposite end of memory, closest to the highest addresses, and the highest part of this area is assigned to the tables of interrupt and reset vectors and vector call instructions. The following diagram shows the structure of memory space in the MB89530H series.

• Memory Map



The RP register shows the address of the register bank currently being used, so that the RP value and the actual address are related by the conversion rule shown in the following illustration.



The CCR register has bits that show the content of results of calculations and transferred data, and bits that control CPU operation during interrupts.

- H-flag : Set to 1 if calculations result in carry or borrow operations from bit 3 to bit 4, otherwise set to 0. This flag is used for decimal correction instructions.
- I-flag : This flag is set to 1 if interrupts are enabled, and 0 if interrupts are prohibited. The default value at reset is 0.
- IL1, 0 : Indicates the level of the currently permitted interrupts. Only interrupt requests having a more powerful level than the value of these bits will be processed.

IL1	ILO	Interrupt level	Strength
0	0	1	Strong ↑ ↓ Weak
0	1		
1	0	2	
1	1	3	

- N-flag : Set to 1 if the highest bit is 1 after a calculation, otherwise cleared to 0.
- Z-flag : Set to 1 if a calculation result is 0, otherwise cleared to 0.
- V-flag : Set to 1 if a two's complement overflow results during a calculation, otherwise cleared to 0.
- C-flag : Set to 1 if a calculation results in a carry or borrow operation from bit 7, otherwise cleared to 0. This is also the shift-out value in a shift instruction.

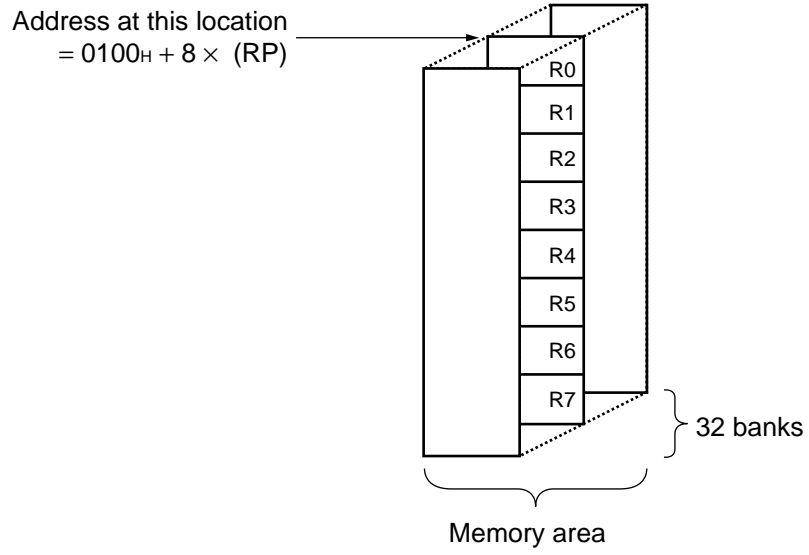
In addition, the following general purpose registers are available.

General purpose registers: 8-bit length, used to contain data.

The general purpose registers are 8-bit registers located in memory. There are eight such registers per bank, and the MB89530H series have up to 32 banks for use. The bank currently in use is indicated by the register bank pointer (RP).

MB89530H Series

- Register bank configuration



■ I/O MAP

Address	Register name	Register description	Write/Read	Initial value
00H	PDR0	Port 0 data register	R/W	XXXXXXXX _B
01H	DDR0	Port 0 direction register	W	00000000 _B
02H	PDR1	Port 1 data register	R/W	XXXXXXXX _B
03H	DDR1	Port 1 direction register	W	00000000 _B
04H to 06H	(Reserved area)			
07H	SYCC	System clock control register	R/W	X-1MM100 _B
08H	STBC	Standby control register	R/W	00010--- _B
09H	WDTC	Watchdog control register	R/W	0---XXXX _B
0AH	TBTC	Time base timer control register	R/W	00---000 _B
0BH	WPCR	Clock prescaler control register	R/W	00---000 _B
0CH	PDR2	Port 2 data register	R/W	XXXXXXXX _B
0DH	DDR2	Port 2 direction register	R/W	00000000 _B
0EH	PDR3	Port 3 data register	R/W	XXXXXXXX _B
0FH	DDR3	Port 3 direction register	R/W	00000000 _B
10H	PDR4	Port 4 data register	R/W	XXXX11XX _B
11H	DDR4	Port 4 direction register	R/W	0000--00 _B
12H	PDR5	Port 5 data register	R/W	11111111 _B
13H	PDR6	Port 6 data register	R	XXXXXXXX _B
14H to 21H	(Reserved area)			
22H	SMC11	Serial mode control register 1 (UART)	R/W	00000000 _B
23H	SRC1	Serial rate control register (UART)	R/W	--011000 _B
24H	SSD1	Serial status and data register (UART)	R/W	00100-1X _B
25H	SIDR1/ SODR1	Serial input/output data register (UART)	R/W	XXXXXXXX _B
26H	SMC12	Serial mode control register 2 (UART)	R/W	--100001 _B
27H	CNTR1	PWM control register 1	R/W	00000000 _B
28H	CNTR2	PWM control register 2	R/W	000-0000 _B
29H	CNTR3	PWM control register 3	R/W	-000--- _B
2AH	COMR1	PWM compare register 1	W	XXXXXXXX _B
2BH	COMR2	PWM compare register 2	W	XXXXXXXX _B
2CH	PCR1	PWC pulse width control register 1	R/W	000--000 _B
2DH	PCR2	PWC pulse width control register 2	R/W	00000000 _B
2EH	RLBR	PWC reload buffer register	R/W	XXXXXXXX _B
2FH	SMC21	Serial mode control register 1 (UART/SIO)	R/W	00000000 _B
30H	SMC22	Serial mode control register 2 (UART/SIO)	R/W	00000000 _B
31H	SSD2	Serial status and data register (UART/SIO)	R/W	00001--- _B
32H	SIDR2/ SODR2	Serial data register (UART/SIO)	R/W	XXXXXXXX _B
33H	SRC2	Baud rate generator reload register	R/W	XXXXXXXX _B

(Continued)

MB89530H Series

Address	Register name	Register description	Write/Read	Initial value
34H	ADC1	A/D control register 1	R/W	000000-0 _B
35H	ADC2	A/D control register 2	R/W	-0000001 _B
36H	ADDL	A/D data register low	R/W	XXXXXXXX _B
37H	ADDH	A/D data register high	R/W	-----00 _B
38H	PPGC2	PPG2 control register (12-bit PPG)	R/W	00000000 _B
39H	PRL22	PPG2 reload register 2 (12-bit PPG)	R/W	0X000000 _B
3AH	PRL21	PPG2 reload register 1 (12-bit PPG)	R/W	XX000000 _B
3BH	PRL23	PPG2 reload register 3 (12-bit PPG)	R/W	XX000000 _B
3CH	TMCR	16-bit timer control register	R/W	--000000 _B
3DH	TCHR	16-bit timer counter register high	R/W	00000000 _B
3EH	TCLR	16-bit timer counter register low	R/W	00000000 _B
3FH	EIC1	External interrupt 1 control register 1	R/W	00000000 _B
40H	EIC2	External interrupt 1 control register 2	R/W	00000000 _B
41H to 48H	(Reserved area)			
49H	DDCR	DDC select register	R/W	-----0 _B
4AH to 4BH	(Reserved area)			
4CH	PPGC1	PPG1 control register (12-bit PPG)	R/W	00000000 _B
4DH	PRL12	PPG1 reload register 2 (12-bit PPG)	R/W	0X000000 _B
4EH	PRL11	PPG1 reload register 1 (12-bit PPG)	R/W	XX000000 _B
4FH	PRL13	PPG1 reload register 3 (12-bit PPG)	R/W	XX000000 _B
50H	IACR	I ² C address control register	R/W	-----000 _B
51H	IBSR	I ² C bus status register	R	00000000 _B
52H	IBCR	I ² C bus control register	R/W	00000000 _B
53H	ICCR	I ² C clock control register	R/W	000XXXXX _B
54H	IADR	I ² C address register	R/W	-XXXXXXXX _B
55H	IDAR	I ² C data register	R/W	XXXXXXXX _B
56H	EIE2	External interrupt 2 control register	R/W	00000000 _B
57H	EIF2	External interrupt 2 flag register	R/W	-----0 _B
58H	RCR1	6-bit PPG control register 1	R/W	00000000 _B
59H	RCR2	6-bit PPG control register 2	R/W	0X000000 _B
5AH	CKR	Clock output control register	R/W	-----00 _B
5BH to 6FH	(Reserved area)			
70H	SMR	Serial mode register (SIO)	R/W	00000000 _B
71H	SDR	Serial data register (SIO)	R/W	XXXXXXXX _B
72H	PURR0	Port 0 pull-up resistance register	R/W	11111111 _B
73H	PURR1	Port 1 pull-up resistance register	R/W	11111111 _B
74H	PURR2	Port 2 pull-up resistance register	R/W	11111111 _B
75H	PURR3	Port 3 pull-up resistance register	R/W	11111111 _B
76H	PURR4	Port 4 pull-up resistance register	R/W	1111--11 _B

(Continued)

MB89530H Series

(Continued)

Address	Register name	Register description	Write/Read	Initial value
77 _H	WREN	Wild register enable register	R/W	--000000 _B
78 _H	WROR	Wild register data test register	R/W	--000000 _B
79 _H	PURR6	Port 6 pull-up resistance register	R/W	---11111 _B
7A _H	(Reserved area)			
7B _H	ILR1	Interrupt level setting register 1	W	11111111 _B
7C _H	ILR2	Interrupt level setting register 2	W	11111111 _B
7D _H	ILR3	Interrupt level setting register 3	W	11111111 _B
7E _H	ILR4	Interrupt level setting register 4	W	11111111 _B
7F _H	ITR	Interrupt test register	Access prohibited	XXXXXX00 _B
C80 _H	WRARH1	Upper address setting register 1	R/W	XXXXXXXX
C81 _H	WRARL1	Lower address setting register 1	R/W	XXXXXXXX
C82 _H	WRDR1	Data setting register 1	R/W	XXXXXXXX
C83 _H	WRARH2	Upper address setting register 2	R/W	XXXXXXXX
C84 _H	WRARL2	Lower address setting register 2	R/W	XXXXXXXX
C85 _H	WRDR2	Data setting register 2	R/W	XXXXXXXX
C86 _H	WRARH3	Upper address setting register 3	R/W	XXXXXXXX
C87 _H	WRARL3	Lower address setting register 3	R/W	XXXXXXXX
C88 _H	WRDR3	Data setting register 3	R/W	XXXXXXXX
C89 _H	WRARH4	Upper address setting register 4	R/W	XXXXXXXX
C8A _H	WRARL4	Lower address setting register 4	R/W	XXXXXXXX
C8B _H	WRDR4	Data setting register 4	R/W	XXXXXXXX
C8C _H	WRARH5	Upper address setting register 5	R/W	XXXXXXXX
C8D _H	WRARL5	Lower address setting register 5	R/W	XXXXXXXX
C8E _H	WRDR5	Data setting register 5	R/W	XXXXXXXX
C8F _H	WRARH6	Upper address setting register 6	R/W	XXXXXXXX
C90 _H	WRARL6	Lower address setting register 6	R/W	XXXXXXXX
C91 _H	WRDR6	Data setting register 6	R/W	XXXXXXXX

• Description of write/read symbols :

R/W : read/write enabled

R : Read only

W : Write only

• Description of initial values :

0 : This bit initialized to "0".

1 : This bit initialized to "1".

X : The initial value of this bit is not determined.

M : The initial value of this bit is a mask option.

- : This bit is not used.

Note : Do not use reserved spaces.

MB89530H Series

■ ELECTRICAL CHARACTERISTICS

1. Absolute Maximum Ratings

(AVSS = VSS = 0 V)

Parameter	Symbol	Rating		Unit	Remarks
		Min	Max		
Supply voltage	V _{CC} , AV _{CC}	V _{SS} - 0.3	V _{SS} + 6.0	V	MB89537H/538H* MB89537HC/538HC MB89P538 MB89PV530
	AVR	V _{SS} - 0.3	V _{SS} + 6.0	V	
Input voltage	V _I	V _{SS} - 0.3	V _{CC} + 0.3	V	Other than P42, P43
		V _{SS} - 0.3	V _{SS} + 6.0	V	P42, P43
Output voltage	V _O	V _{SS} - 0.3	V _{CC} + 0.3	V	Other than P42, P43
		V _{SS} - 0.3	V _{SS} + 6.0	V	P42, P43
"L" level maximum output current	I _{OL}	—	15	mA	
"L" level average output current	I _{OLAV}	—	4	mA	Average value (operating current × operating duty)
"L" level maximum total output current	ΣI _{OL}	—	100	mA	
"L" level average total output current	ΣI _{OLAV}	—	40	mA	Average value (operating current × operating duty)
"H" level maximum output current	I _{OH}	—	-15	mA	
"H" level average output current	I _{OHAV}	—	-4	mA	Average value (operating current × operating duty)
"H" level maximum total output current	ΣI _{OH}	—	-50	mA	
"H" level average total output current	ΣI _{OHAV}	—	-20	mA	Average value (operating current × operating duty)
Current consumption	P _D	—	300	mW	
Operating temperature	T _A	-40	+85	°C	
Storage temperature	T _{stg}	-55	+150	°C	

* : AV_{CC} and V_{CC} are to be used at the same potential. AVR should not exceed AV_{CC} + 0.3V.

WARNING: Semiconductor devices can be permanently damaged by application of stress (voltage, current, temperature, etc.) in excess of absolute maximum ratings. Do not exceed these ratings.

2. Recommended Operating Conditions

(AVss = Vss = 0 V)

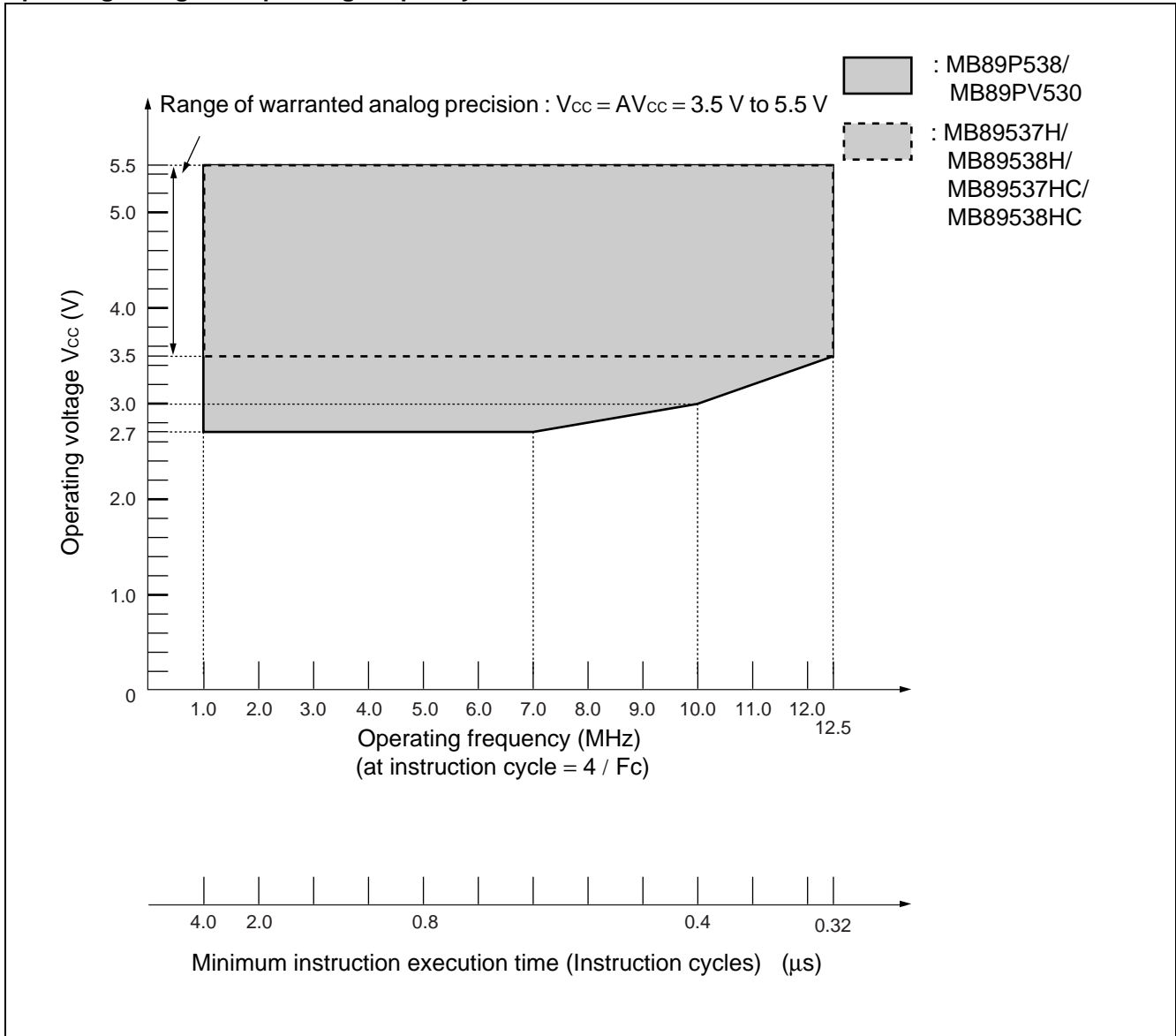
Parameter	Symbol	Value		Unit	Remarks	
		Min	Max			
Supply voltage	V _{CC} , AV _{CC}	3.5*	5.5	V	Range warranted for normal operation	MB89537H/538H MB89537HC/ 538HC
		3.0	5.5	V	RAM status in stop mode	
		2.7*	5.5	V	Range warranted for normal operation	MB89P538 MB89PV530
		1.5	5.5	V	RAM status in stop mode	
	AVR	3.5	AV _{CC}	V		
Operating temperature	T _A	-40	+85	°C		

* : Varies according to frequency used, and instruction cycle.

See "Operating voltage vs. operating frequency" and "5. A/D Converter Electrical Characteristics".

MB89530H Series

Operating voltage vs. operating frequency



WARNING: The recommended operating conditions are required in order to ensure the normal operation of the semiconductor device. All of the device's electrical characteristics are warranted when the device is operated within these ranges.

Always use semiconductor devices within their recommended operating condition ranges. Operation outside these ranges may adversely affect reliability and could result in device failure.

No warranty is made with respect to uses, operating conditions, or combinations not represented on the data sheet. Users considering application outside the listed conditions are advised to contact their FUJITSU representatives beforehand.

MB89530H Series

3. DC Characteristics

($V_{CC} = V_{CC} = 5.0\text{ V}$, $V_{SS} = V_{SS} = 0\text{ V}$, $T_A = -40\text{ }^\circ\text{C}$ to $+85\text{ }^\circ\text{C}$)

Parameter	Symbol	Pin name	Condition	Value			Unit	Remarks
				Min	Typ	Max		
"H" level input voltage	V_{IH}	P00 to P07, P10 to P17, P20 to P27, P30 to P37, P40 to P47, P60 to P64, SI1, SI2	—	$0.7 V_{CC}$	—	$V_{CC} + 0.3$	V	
	V_{IHS}	\overline{RST} , MOD0, MOD1, INT20 to INT27, UCK1, UI1, INT10 to INT13, SCK1, EC, PWCK, PWC, SCK2, UCK2, UI2, ADST	—	$0.8 V_{CC}$	—	$V_{CC} + 0.3$	V	
	V_{IHSMB}	SCL, SDA	—	$V_{SS} + 1.4$	—	$V_{SS} + 5.5$	V	With SMB input buffer selected*
	V_{IH2C}		—	$0.7 V_{CC}$	—	$V_{SS} + 5.5$	V	With I ² C input buffer selected*
"L" level input voltage	V_{IL}	P00 to P07, P10 to P17, P20 to P27, P30 to P37, P40 to P47, P60 to P64, SI1, SI2	—	$V_{SS} - 0.3$	—	$0.3 V_{CC}$	V	
	V_{ILS}	\overline{RST} , MOD0, MOD1, INT20 to INT27, UCK1, UI1, INT10 to INT13, SCK1, EC, PWCK, PWC, SCK2, UCK2, UI2, ADST	—	$V_{SS} - 0.3$	—	$0.2 V_{CC}$	V	
	V_{ILSMB}	SCL, SDA	—	$V_{SS} - 0.3$	—	$V_{SS} + 0.6$	V	With SMB input buffer selected*
	V_{IL2C}		—	$V_{SS} - 0.3$	—	$0.3 V_{CC}$	V	With I ² C input buffer selected*
Open drain output applied voltage	V_{D1}	P50 to P57	—	$V_{SS} - 0.3$	—	$V_{CC} + 0.3$	V	
	V_{D2}	P42, P43				$V_{SS} + 5.5$	V	
"H" level output voltage	V_{OH}	P00 to P07, P10 to P17, P20 to P24, P30 to P37, P40, P41, P44 to P47	$I_{OH} = -2.0\text{ mA}$	4.0	—	—	V	
		P25 to P27	$I_{OH} = -3.0\text{ mA}$					
"L" level output voltage	V_{OL}	P00 to P07, P10 to P17, P20 to P27, P30 to P37, P40 to P47, P50 to P57, \overline{RST}	$I_{OL} = 4.0\text{ mA}$	—	—	0.4	V	

(Continued)

MB89530H Series

($AV_{CC} = V_{CC} = 5.0\text{ V}$, $AV_{SS} = V_{SS} = 0\text{ V}$, $T_A = -40\text{ }^\circ\text{C}$ to $+85\text{ }^\circ\text{C}$)

Parameter	Symbol	Pin name	Condition	Value			Unit	Remarks
				Min	Typ	Max		
Input leak current (Hi-Z output leak current)	I_{LI}	P00 to P07, P10 to P17, P20 to P27, P30 to P37, P40 to P47, P50 to P57, P60 to P64	$0.0\text{ V} < V_i < V_{CC}$	-5	—	+5	μA	With no pull-up resistance specified
Open drain output leak current	I_{LIOD}	P42, P43	$0.0\text{ V} < V_i < V_{SS} + 5.5\text{ V}$	—	—	+5	μA	
Pull-up resistance	R_{PULL}	P00 to P07, P10 to P17, P20 to P27, P30 to P37, P40, P41, P44 to P47, P60 to P64, \overline{RST}	$V_i = 0.0\text{ V}$	25	50	100	$\text{k}\Omega$	With pull-up resistance is selected. The \overline{RST} signal is excluded.
Supply current	I_{CC1}	V_{CC}	$F_{CH} = 10.0\text{ MHz}$ $V_{CC} = 5.0\text{ V}$ $t_{inst} = 0.4\text{ }\mu\text{s}$	—	15	20	mA	MB89P538/PV530
				—	6	10	mA	MB89537H/538H MB89537HC/538HC
	I_{CC2}		$F_{CH} = 10.0\text{ MHz}$ $V_{CC} = 5.0\text{ V}$ $t_{inst} = 6.4\text{ }\mu\text{s}$	—	5	8.5	mA	MB89P538/PV530
				—	1.5	3	mA	MB89537H/538H MB89537HC/538HC
	I_{CCS1}		$F_{CH} = 10.0\text{ MHz}$ $V_{CC} = 5.0\text{ V}$ $t_{inst} = 0.4\text{ }\mu\text{s}$	—	5	7	mA	Sleep mode MB89P538/PV530
				—	2	4	mA	Sleep mode MB89537H/538H MB89537HC/538HC
	I_{CCS2}		$F_{CH} = 10.0\text{ MHz}$ $V_{CC} = 5.0\text{ V}$ $t_{inst} = 6.4\text{ }\mu\text{s}$	—	1.5	3	mA	Sleep mode MB89P538/PV530
				—	1	2	mA	Sleep mode MB89537H/538H MB89537HC/538HC
	I_{CCL}		$F_{CL} = 32.768\text{ kHz}$ $V_{CC} = 5.0\text{ V}$	—	3	7	mA	Sub mode MB89P538/PV530
				—	20	50	μA	Sub mode MB89537H/538H MB89537HC/538HC
	I_{CCLS}		$F_{CL} = 32.768\text{ kHz}$ $V_{CC} = 5.0\text{ V}$	—	30	50	μA	Sub, sleep modes MB89P538/PV530
				—	15	30	μA	Sub, sleep modes MB89537H/538H MB89537HC/538HC

(Continued)

MB89530H Series

(Continued)

Parameter	Symbol	Pin name	Condition	Value			Unit	Remarks
				Min	Typ	Max		
Supply current	I _{CC1}	V _{CC}	F _{CL} = 32.768 kHz V _{CC} = 5.0 V	—	5	15	μA	Clock mode, main stop
	I _{CC2}		T _A = +25 °C	—	3	10	μA	Sub, stop modes
	I _A	AV _{CC}	F _{CH} = 10.0 MHz	—	4	6	mA	A/D conversion running
	I _{AH}		T _A = +25 °C	—	1	5	μA	A/D stopped
Input capacitance	C _{IN}	Except V _{CC} , V _{SS} , AV _{CC} , AV _{SS}	f = 1 MHz	—	10	—	pF	

* : MB89PV530/P538/537HC/538HC have a built-in I²C function, and a choice of input buffers by software setting. MB89537H/538H have no built-in I²C functions, and therefore this standard does not apply.

MB89530H Series

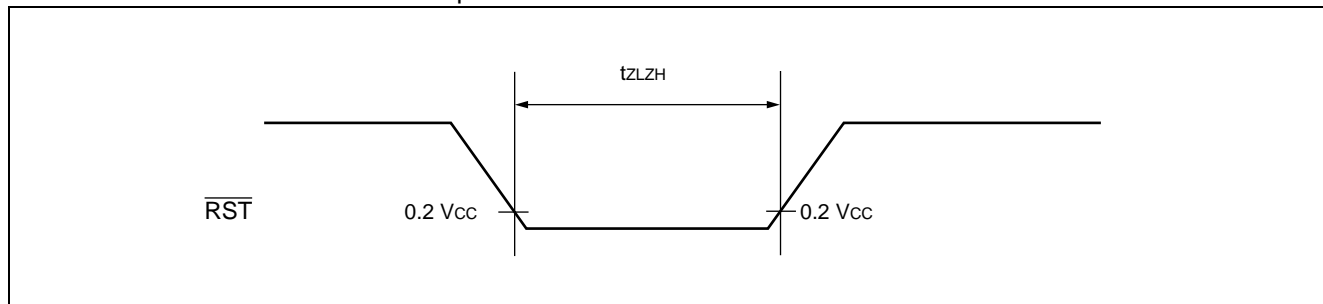
4. AC Characteristics

(1) Reset Timing

($V_{CC} = 5.0\text{ V}$, $V_{SS} = 0\text{ V}$, $T_A = -40\text{ }^\circ\text{C}$ to $+85\text{ }^\circ\text{C}$)

Parameter	Symbol	Condition	Value		Unit	Remarks
			Min	Max		
$\overline{\text{RST}}$ "L" pulse width	t_{ZLZH}	—	$48 t_{HCLY}$	—	ns	

Note : t_{HCLY} is the main clock oscillator period.

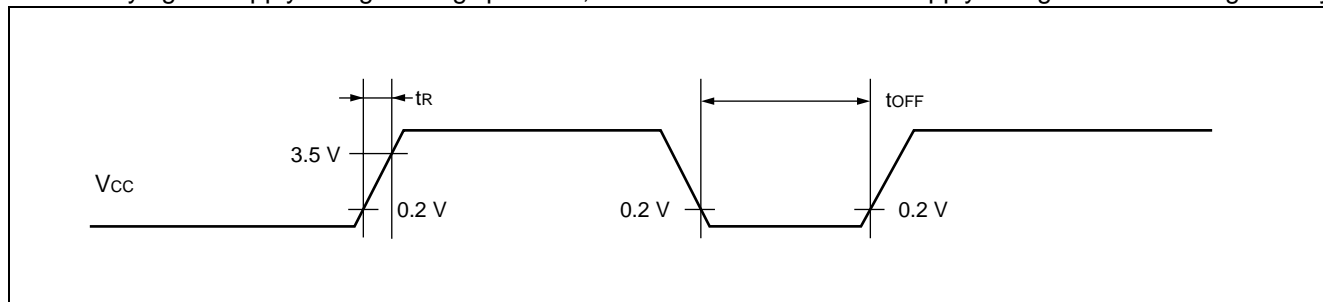


(2) Power-on Reset

($V_{SS} = 0\text{ V}$, $T_A = -40\text{ }^\circ\text{C}$ to $+85\text{ }^\circ\text{C}$)

Parameter	Symbol	Condition	Value		Unit	Remarks
			Min	Max		
Power on time	t_R	—	0.5	50	ms	
Power shutoff time	t_{OFF}	—	1	—	ms	For repeated operation

Note : Be sure that the power supply will come on within the selected oscillator stabilization period. Also, when varying the supply voltage during operation, it is recommended that the supply voltage be increased gradually.

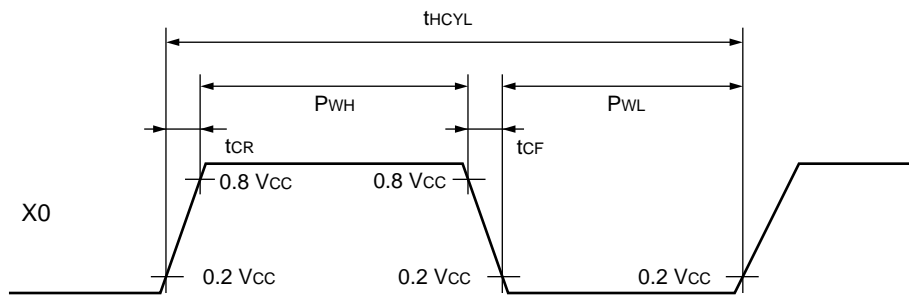


(3) Clock Timing Standards

($V_{SS} = V_{SS} = 0\text{ V}$, $T_A = -40\text{ }^\circ\text{C}$ to $+85\text{ }^\circ\text{C}$)

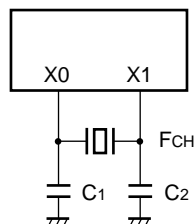
Parameter	Symbol	Pins	Condition	Value			Unit	Remarks
				Min	Typ	Max		
Clock frequency	F_{CH}	X0, X1	—	1	—	12.5	MHz	Main clock
	F_{CL}	X0A, X1A		—	32.768	—	kHz	Sub clock
Clock cycle time	t_{HCYL}	X0, X1		80	—	1000	ns	Main clock
	t_{LCYL}	X0A, X1A		—	30.5	—	μs	Sub clock
Input clock pulse width	P_{WH} P_{WL}	X0		20	—	—	ns	External clock
	P_{WHH} P_{WLL}	X0A		—	15.2	—	μs	External clock
Input clock rise, fall time	t_{CR} t_{CF}	X0	—	—	10	ns	External clock	

- X0, X1 timing and application conditions

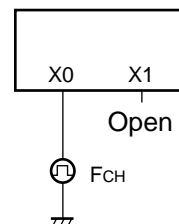


- Clock application conditions

Using a crystal oscillator
or
ceramic oscillator

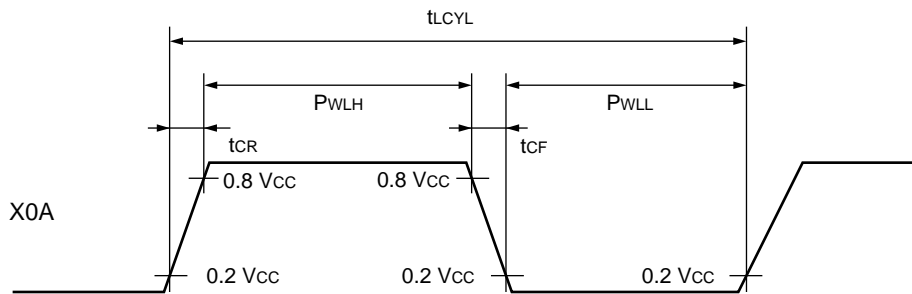


Using an external clock
signal



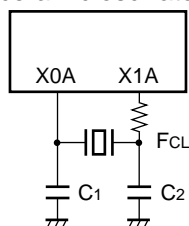
MB89530H Series

- X0A, X1A timing and application conditions

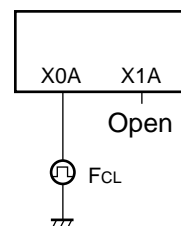


- Clock application conditions

Using a crystal oscillator
or
ceramic oscillator



Using an external clock
signal



(4) Instruction Cycle

(AV_{SS} = V_{SS} = 0 V, T_A = -40 °C to +85 °C)

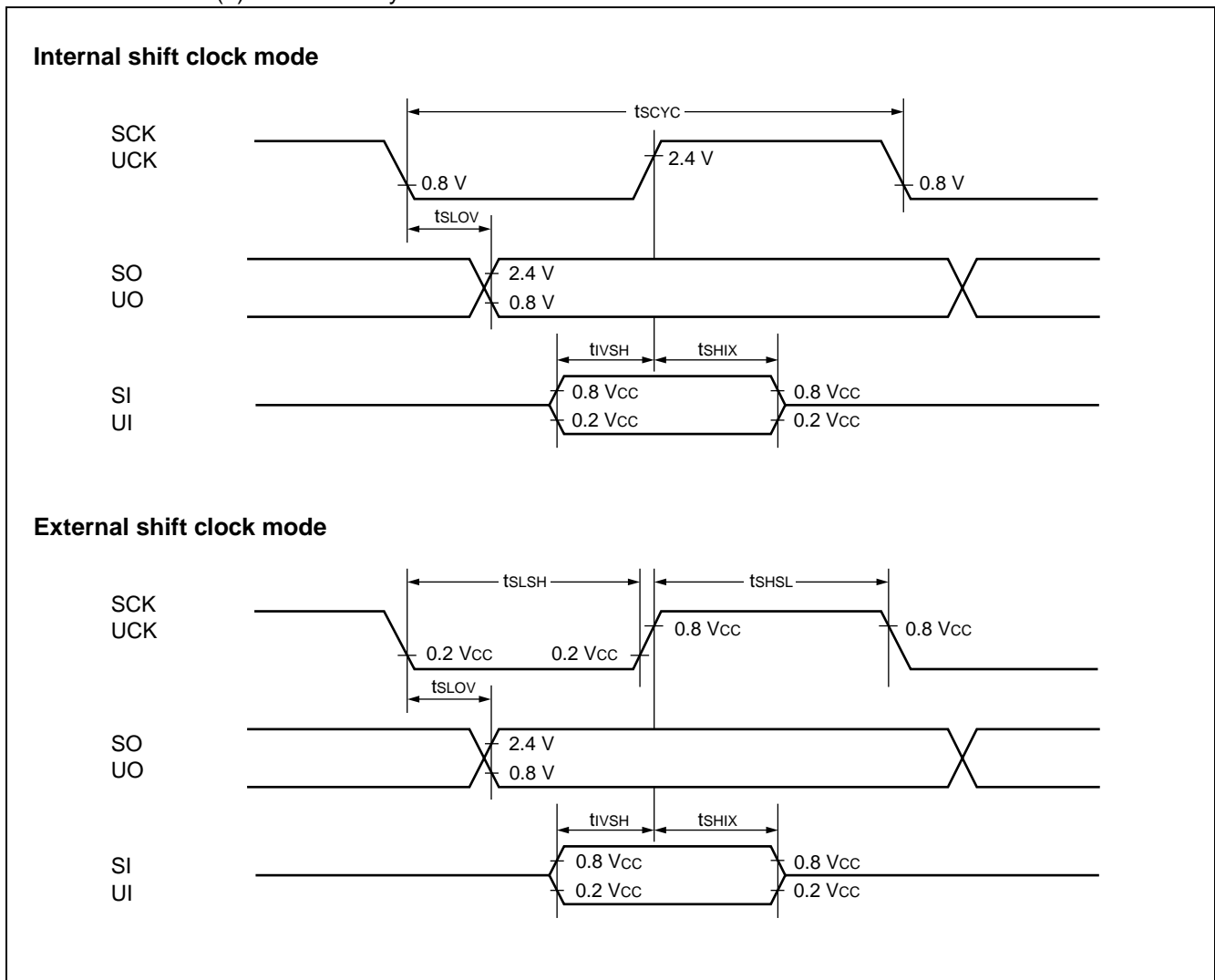
Parameter	Symbol	Rated value	Unit	Remarks
Instruction cycle (minimum instruction execution time)	t _{inst}	4/F _{CH} , 8/F _{CH} , 16/F _{CH} , 64/F _{CH}	μs	Operating at F _{CH} = 12.5 MHz (4/F _{CH}) t _{inst} = 0.32 μs
		2/F _{CL}	μs	Operating at F _{CL} = 32.768 kHz t _{inst} = 61.036 μs

(5) Serial I/O Timing

($V_{CC} = 5.0\text{ V}$, $A/V_{SS} = V_{SS} = 0\text{ V}$, $T_A = -40\text{ }^\circ\text{C}$ to $+85\text{ }^\circ\text{C}$)

Parameter	Symbol	Pin name	Condition	Value		Unit	Remarks
				Min	Max		
Serial clock cycle time	t_{SCYC}	SCK, UCK	Internal clock operation	$2 t_{inst}$	—	μs	
SCK \downarrow →SO	t_{SLOV}	SCK, SO, UCK, UO		-200	+200	ns	
Valid SI→SCK \uparrow	t_{IVSH}	SI, SCK, UI, UCK		200	—	ns	
SCK \uparrow →valid SI hold time	t_{SHIX}	SCK, SI, UCK, UI		200	—	ns	
Serial clock "H" pulse width	t_{SHSL}	SCK, UCK	External clock operation	$1 t_{inst}$	—	μs	
Serial clock "L" pulse width	t_{LSLH}			$1 t_{inst}$	—	μs	
SCK \downarrow →SO time	t_{SLOV}	SCK, SO, UCK, UO		0	200	ns	
Valid SI→SCK \uparrow	t_{IVSH}	SI, SCK, UI, UCK		200	—	ns	
SCK \uparrow → valid SI hold time	t_{SHIX}	SCK, SI, UCK, UI	200	—	ns		

Note : For t_{inst} see "(4) Instruction Cycle".



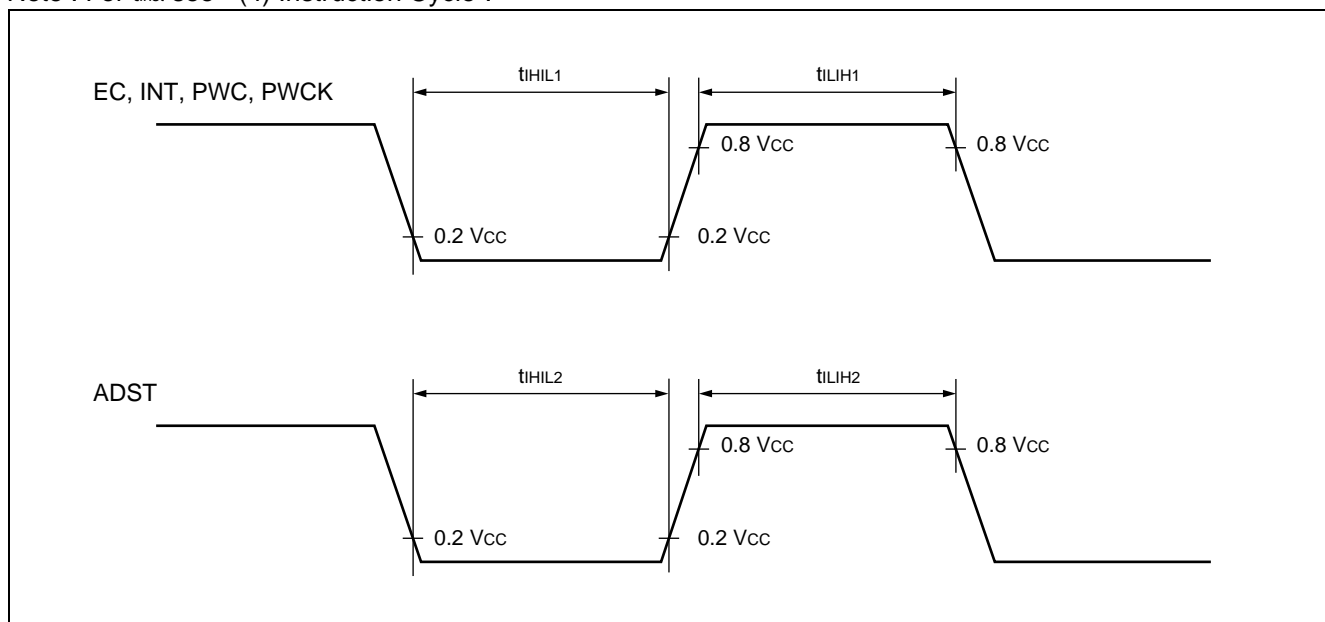
MB89530H Series

(6) Peripheral Input Timing

($V_{CC} = 5.0\text{ V}$, $A/V_{SS} = V_{SS} = 0\text{ V}$, $T_A = -40\text{ }^\circ\text{C}$ to $+85\text{ }^\circ\text{C}$)

Parameter	Symbol	Pin name	Condition	Value		Unit	Remarks
				Min	Max		
Peripheral input "H" level pulse width 1	t_{LIH1}	INT10 to INT13, INT20 to INT27, EC, PWC, PWCK	—	$2 t_{inst}$	—	μs	
Peripheral input "L" level pulse width 1	t_{HIL1}		—	$2 t_{inst}$	—	μs	
Peripheral input "H" level pulse width 2	t_{LIH2}	ADST	—	$2^8 t_{inst}$	—	μs	
Peripheral input "L" level pulse width 2	t_{HIL2}		—	$2^8 t_{inst}$	—	μs	

Note : For t_{inst} see " (4) Instruction Cycle".



(7) I²C Timing

(V_{CC} = 5.0 V, AV_{SS} = V_{SS} = 0 V, T_A = -40 °C to +85 °C)

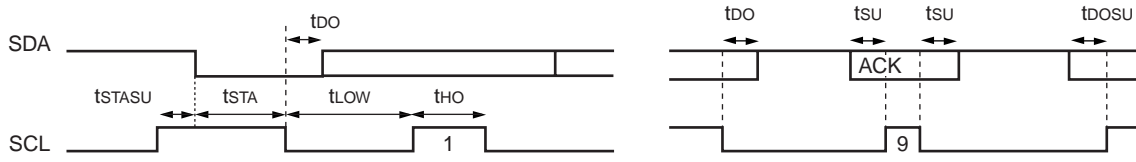
Parameter	Symbol	Pin name	Condition	Value		Unit	Remarks
				Min	Max		
Start condition output	t _{STA}	SCL SDA	—	$\frac{1}{4} t_{inst} \times m \times n - 20$	$\frac{1}{4} t_{inst} \times m \times n + 20$	ns	Master only
Stop condition output	t _{STO}	SCL SDA	—	$\frac{1}{4} t_{inst} \times (m \times n + 8) - 20$	$\frac{1}{4} t_{inst} \times (m \times n + 8) + 20$	ns	Master only
Start condition detection	t _{STA}	SCL SDA	—	$\frac{1}{4} t_{inst} \times 6 + 40$	—	ns	
Stop condition detection	t _{STO}	SCL SDA	—	$\frac{1}{4} t_{inst} \times 6 + 40$	—	ns	
Restart condition output	t _{STASU}	SCL SDA	—	$\frac{1}{4} t_{inst} \times (m \times n + 8) - 20$	$\frac{1}{4} t_{inst} \times (m \times n + 8) + 20$	ns	Master only
Restart condition detection	t _{STASU}	SCL SDA	—	$\frac{1}{4} t_{inst} \times 4 + 40$	—	ns	
SCL output "L" width	t _{LOW}	SCL	—	$\frac{1}{4} t_{inst} \times m \times n - 20$	$\frac{1}{4} t_{inst} \times m \times n + 20$	ns	Master only
SCL output "H" width	t _{HIGH}	SCL	—	$\frac{1}{4} t_{inst} \times (m \times n + 8) - 20$	$\frac{1}{4} t_{inst} \times (m \times n + 8) + 20$	ns	Master only
SDA output delay time	t _{DO}	SDA	—	$\frac{1}{4} t_{inst} \times 4 - 20$	$\frac{1}{4} t_{inst} \times 4 + 20$	ns	
Setup after SDA output interrupt interval	t _{DOSU}	SDA	—	$\frac{1}{4} t_{inst} \times 4 - 20$	—	ns	
SCL input "L" width	t _{LOW}	SCL	—	$\frac{1}{4} t_{inst} \times 6 + 40$	—	ns	
SCL input "H" width	t _{HIGH}	SCL	—	$\frac{1}{4} t_{inst} \times 2 + 40$	—	ns	
SDA input setup	t _{SU}	SDA	—	40	—	ns	
SDA input hold	t _{HO}	SDA	—	0	—	ns	

Notes : • For t_{inst} see “ (4) The Instruction Cycle”.

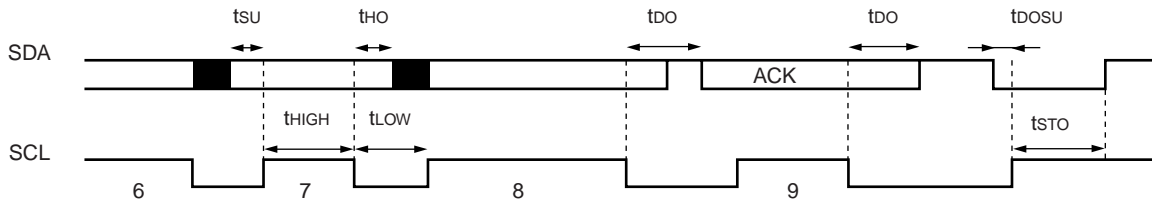
- The value “m” in the above table is the value from the shift clock frequency setting bits (CS4-CS3) in the clock control register “ICCR”. For details, refer to the register description in the hardware manual.
- The value ‘n’ in the above table is the value from the shift clock frequency setting bits (CS2-CS0) in the clock control register “ICCR”. For details, refer to the register description in the hardware manual.
- t_{DOSU} appears when the interrupt period is longer than the SCL “L” width.
- The rated values for SDA and SCL assume a start up time of 0 ns.

MB89530H Series

- I²C interface [Data sending (master/slave)]



- I²C interface [Data receiving (master/slave)]



5. A/D Converter Electrical Characteristics

(1) MB89537H/538H/537HC/538HC

($V_{CC} = 3.5 \text{ V to } 5.5 \text{ V}$, $AV_{SS} = V_{SS} = 0 \text{ V}$, $T_A = -40 \text{ }^\circ\text{C to } +85 \text{ }^\circ\text{C}$)

Parameter	Symbol	Pin name	Condition	Value			Unit	Remarks	
				Min	Typ	Max			
Resolution capability	—	—	—	—	—	10	bit		
Total error			—	—	± 5.0	LSB			
Linear error			—	—	± 2.5	LSB			
Differential linear error			—	—	± 1.9	LSB			
Zero transition voltage	V_{OT}	—	$AVR = AV_{CC}$	$AV_{SS} - 3.5$ LSB	$AV_{SS} + 0.5$ LSB	$AV_{SS} + 4.5$ LSB	mV		
Full scale transition voltage	V_{FST}			$AVR - 6.5$ LSB	$AVR - 1.5$ LSB	$AVR + 1.5$ LSB	mV		
Inter-channel variation	—			—	—	4.0	LSB		
Conversion time	—	—	—	—	$60 t_{inst}$	—	μs	*	
Sampling time				—	$16 t_{inst}$	—	μs		
Analog input current	I_{AIN}	AN0 to AN7	—	—	—	10	μA		
Analog input voltage	V_{AIN}			AV_{SS}	—	AVR	V		
Reference voltage	—	AVR	—	$AV_{SS} + 3.5$	—	AV_{CC}	V		
Reference voltage supply current	I_R			A/D running	—	400	—	μA	
	I_{RH}			A/D off	—	—	5	μA	

* : Includes sampling time

Note : For t_{inst} see “(4) The Instruction Cycle”.

MB89530H Series

(2) MB89P538/PV530

($V_{CC} = 3.5 \text{ V to } 5.5 \text{ V}$, $AV_{SS} = V_{SS} = 0 \text{ V}$, $T_A = -40 \text{ }^\circ\text{C to } +85 \text{ }^\circ\text{C}$)

Parameter	Symbol	Pin name	Condition	Value			Unit	Remarks			
				Min	Typ	Max					
Resolution capability	—	—	AVR = AV _{CC}	—	—	10	bit	AV _{CC} = V _{CC}			
Total error				—	—	±3.0	LSB				
Linear error				—	—	±2.5	LSB				
Differential linear error				—	—	±1.9	LSB				
Zero transition voltage	V _{OT}			—	AVR = AV _{CC}	AV _{SS} - 1.5 LSB	AV _{SS} + 0.5 LSB		AV _{SS} + 2.5 LSB	mV	
Full scale transition voltage	V _{FST}					AVR - 3.5 LSB	AVR - 1.5 LSB		AVR + 1.5 LSB	mV	
Inter-channel variation	—					—	—		4.0	LSB	
Conversion time	—	—	—	—	60 t _{inst}	—	μs	*			
Sampling time	—			—	16 t _{inst}	—	μs				
Analog input current	I _{AIN}	AN0 to AN7	—	—	—	10	μA				
Analog input voltage	V _{AIN}			0	—	AVR	V				
Reference voltage	—	AVR	A/D running	AV _{SS} + 3.5	—	AV _{CC}	V				
Reference voltage supply current	I _R			—	400	—	μA				
	I _{RH}			A/D off	—	—	5	μA			

* : Includes sampling time

Note : For t_{inst} see “ (4) The Instruction Cycle”.

(3) A/D Converter Terms and Definitions

- Resolution

The level of analog variation that can be distinguished by the A/D converter.

- Linear error (unit : LSB)

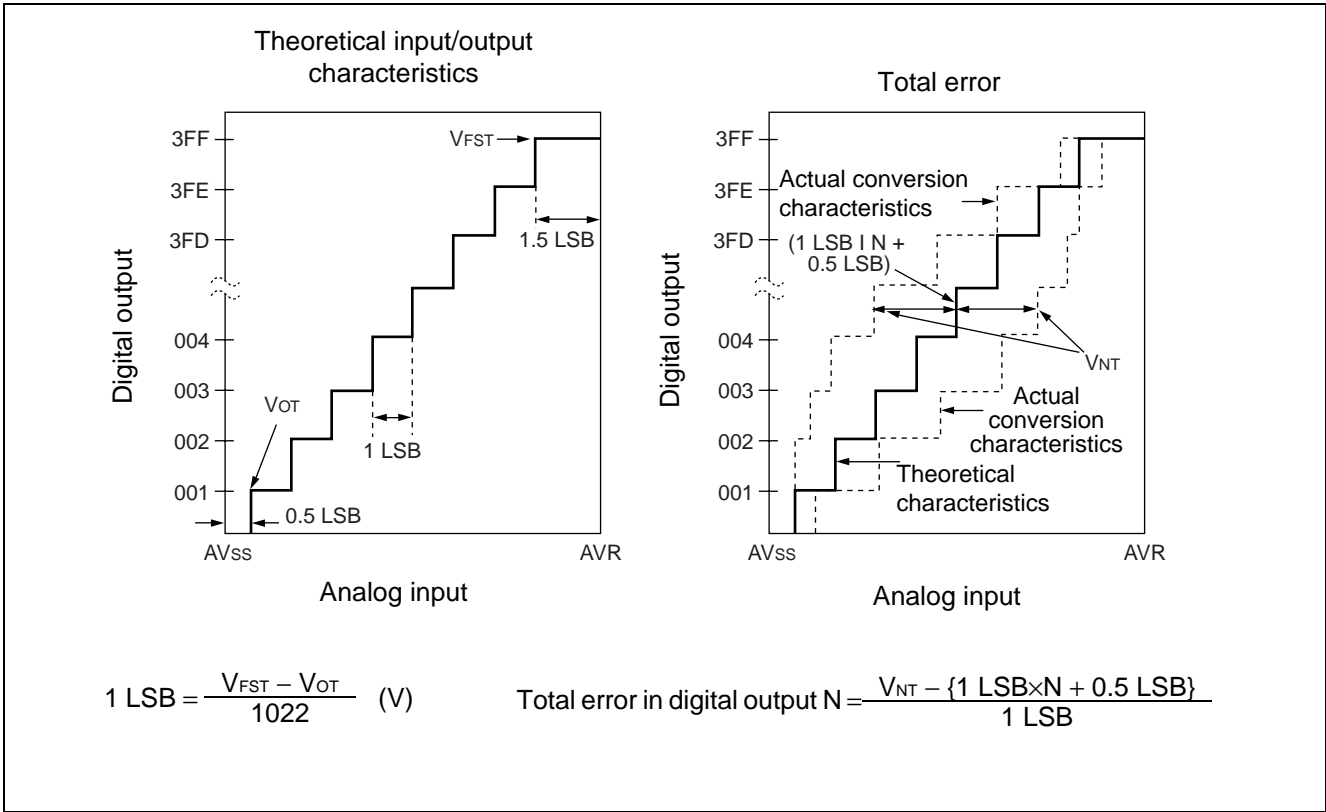
The deviation between the value along a straight line connecting the zero transition point (“00 0000 0000” ↔ “00 0000 0001”) of a device and the full-scale transition point (“11 1111 1110” ↔ “11 1111 1111”), compared with the actual conversion values obtained.

- Differential linear error (Unit : LSB)

The deviation from the theoretical input voltage required to produce a change of 1 LSB in output code.

- Total error (Unit : LSB)

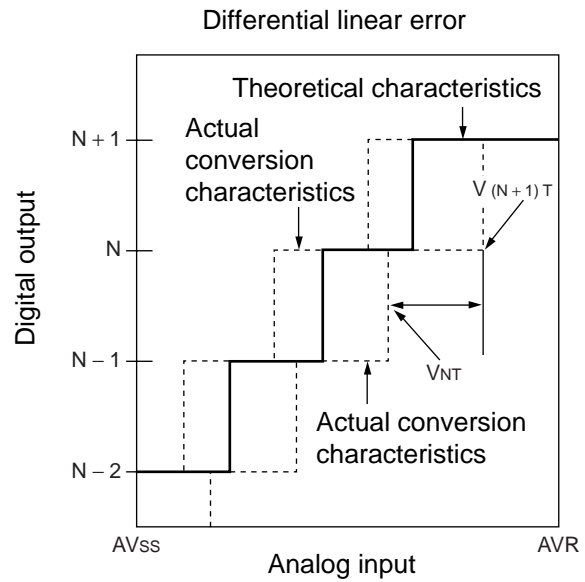
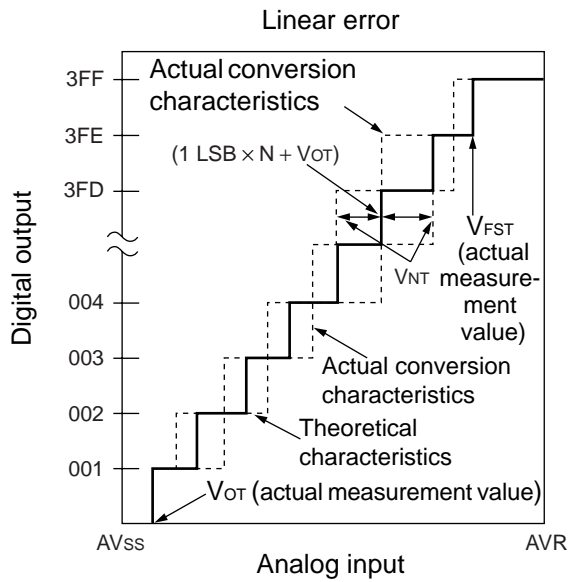
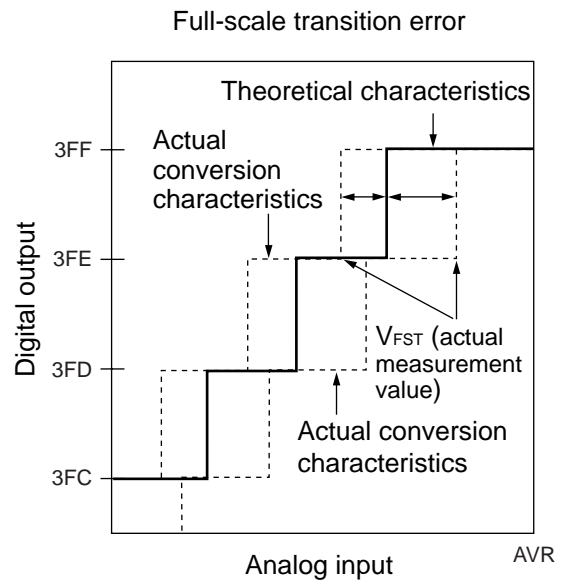
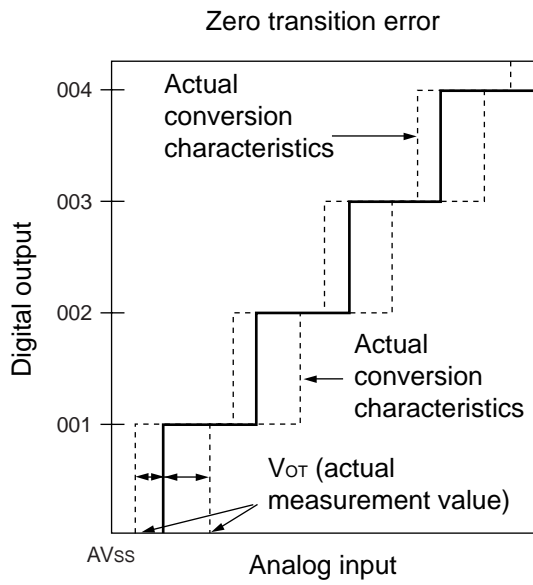
The difference between theoretical conversion value and actual conversion value.



(Continued)

MB89530H Series

(Continued)



$$\text{Analog input linear error in digital output } N = \frac{V_{NT} - \{1 \text{ LSB} \times N + V_{OT}\}}{1 \text{ LSB}}$$

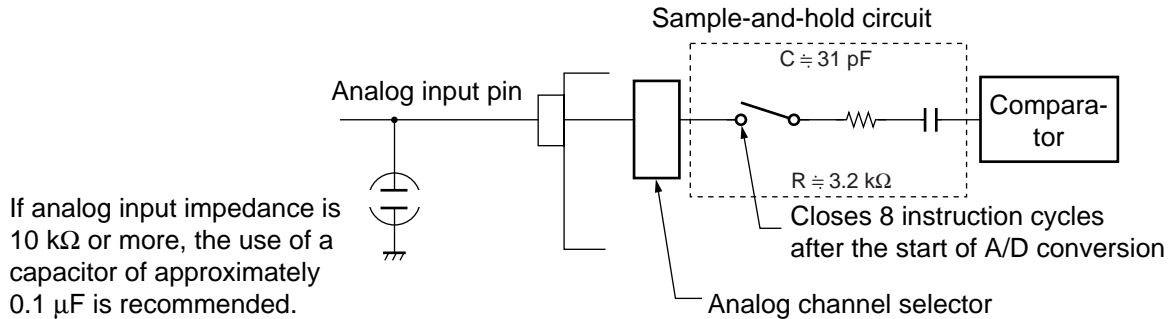
$$\text{Differential linear error in digital output } N = \frac{V_{(N+1)T} - V_{NT}}{1 \text{ LSB}} - 1$$

(4) Precautionary Information

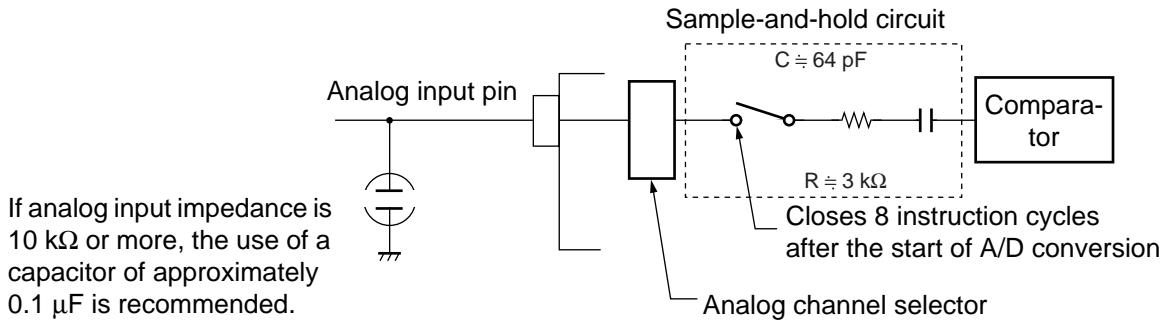
• Input Impedance of Analog Input Pins

The A/D converter of MB89530H has a sample & hold circuit as shown below, which uses a sample-and-hold capacitor to obtain the voltage at the analog input pin for 8 instruction cycles following the start of A/D conversion. For this reason if the external circuits providing the analog input signal have high output impedance, the analog input voltage may not stabilize within the analog input sampling time. It is therefore recommended that the output impedance of external circuits be reduced to 10 k Ω or less.

• MB89537H/537HC/538H/538HC Analog Input Equivalent Circuit



• MB89P538 and MB89PV530 Analog Input Equivalent Circuit



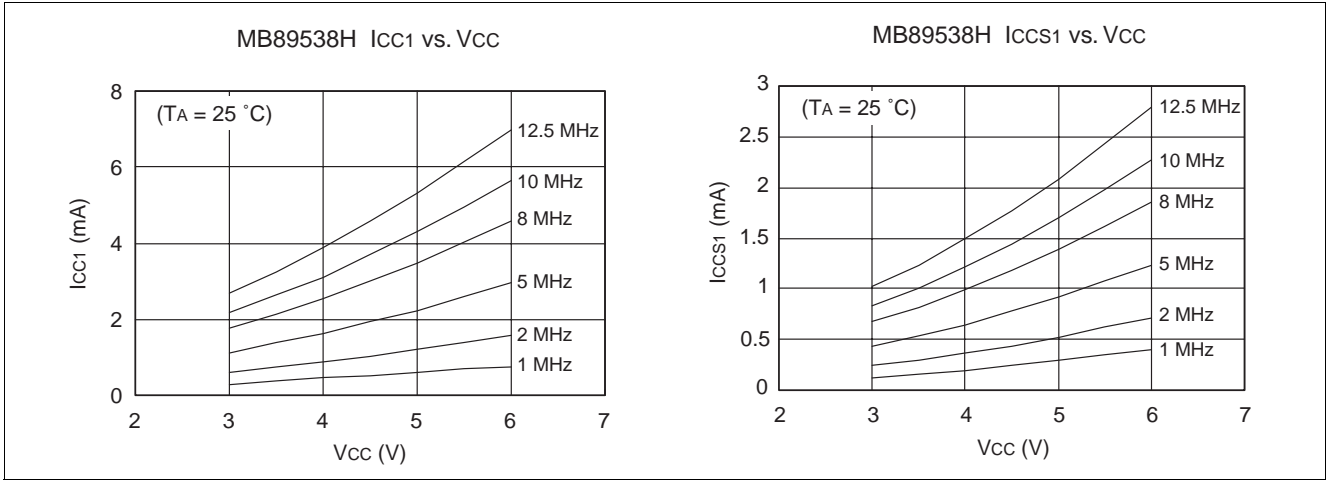
• About error

The smaller the absolute value $|AVR - AV_{SS}|$ is, the greater the relative error becomes.

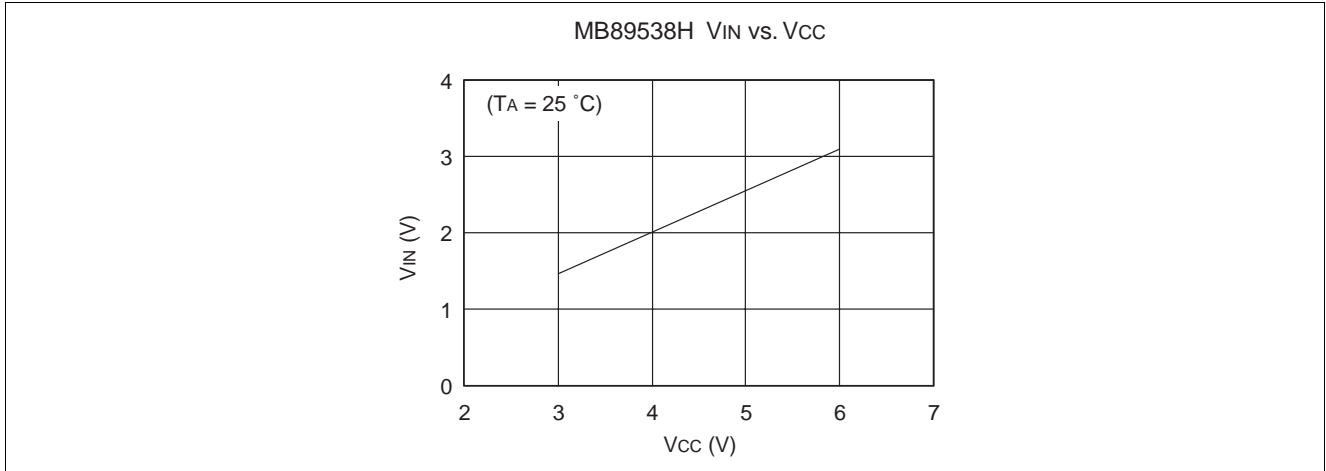
MB89530H Series

EXAMPLE CHARACTERISTICS

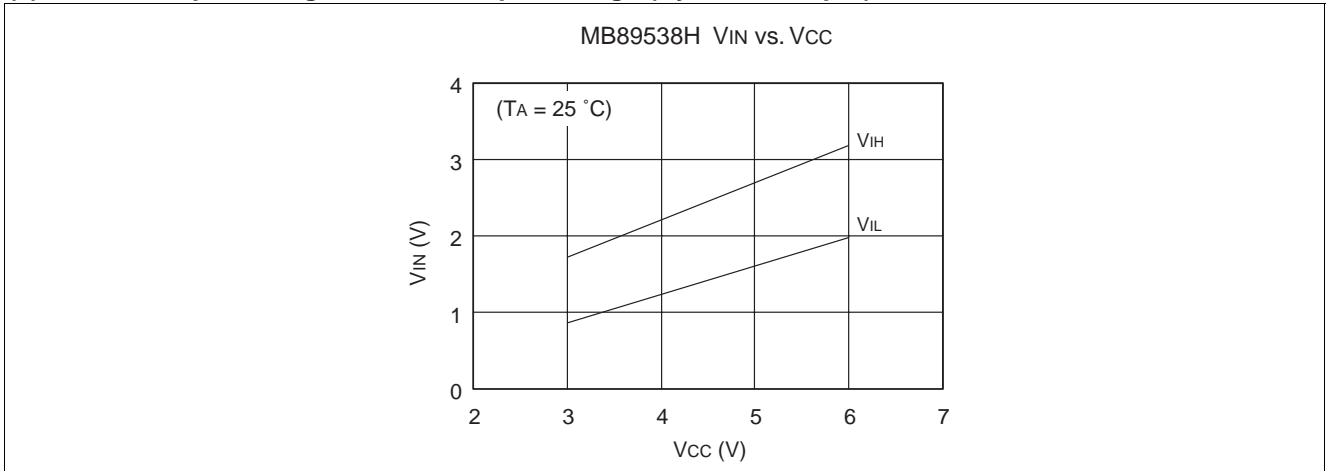
(1) Power Supply Current (External Clock)



(2) "H" Level Input Voltage / "L" Level Input Voltage (CMOS Input)



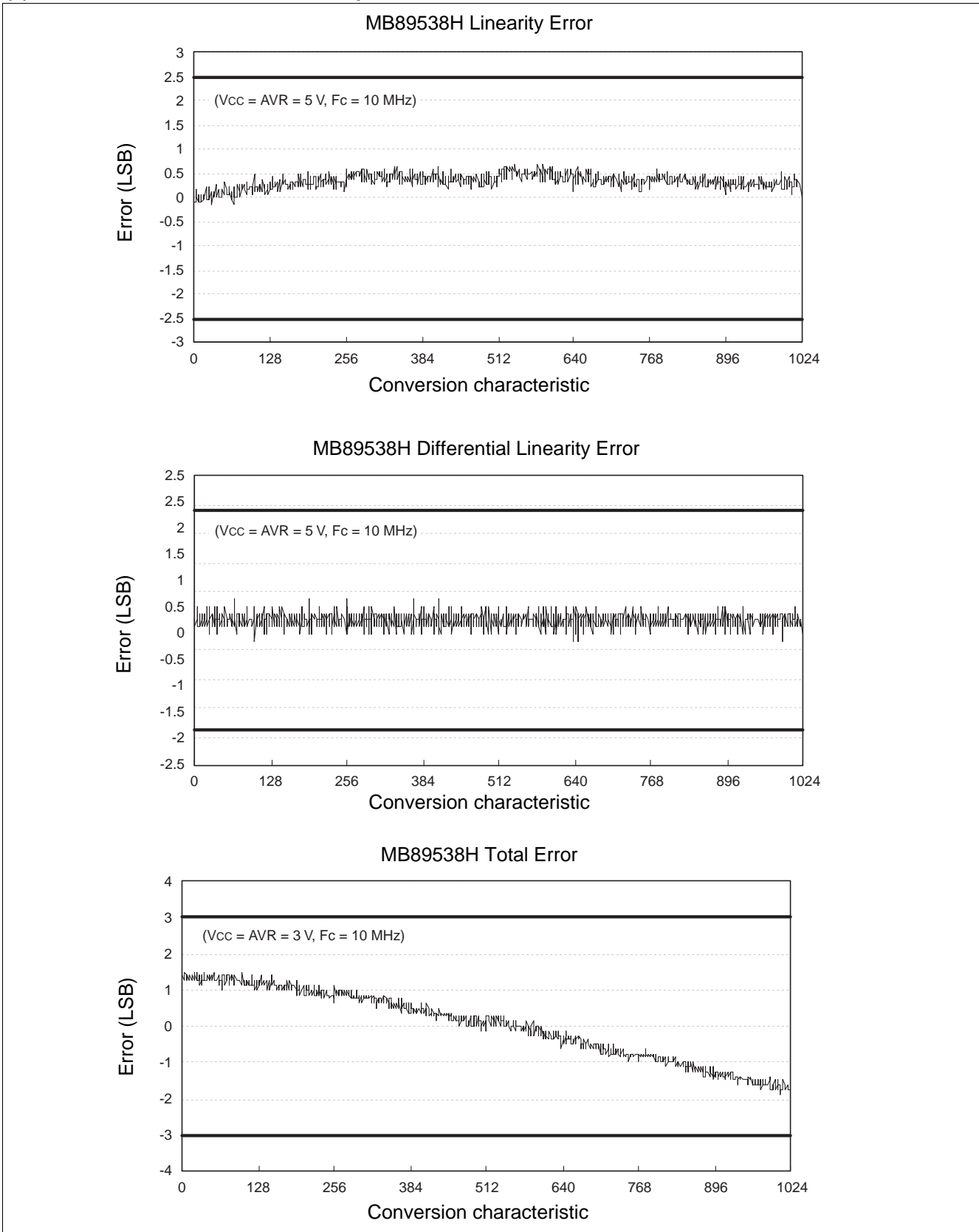
(3) "H" Level Input Voltage / "L" Level Input Voltage (Hysteresis Input)



(Continued)

(Continued)

(4) AD Converter Characteristic Example



MB89530H Series

■ MASK OPTIONS

No	Part number	MB89537H MB89537HC MB89538H MB89538HC	MB89P538-101 MB89P538-201	MB89PV530
	Method of specification	Specify at time of mask order	Setting not possible	Setting not possible
1	Main clock Select oscillator stabilization wait period ($F_{CH}^* = 10 \text{ MHz}$) approx. $2^{14}/F_{CH}^*$ (approx.1.6 ms) approx. $2^{17}/F_{CH}^*$ (approx.13.1 ms) approx. $2^{18}/F_{CH}^*$ (approx.26.2 ms)	Selection available	$2^{18}/F_{CH}^*$ (approx. 26.2 ms)	$2^{18}/F_{CH}^*$ (approx. 26.2 ms)
2	Clock mode selection • 2-system clock mode • 1-system clock mode	Selection available	<ul style="list-style-type: none"> • 101 : 1-system clock mode • 201 : 2-system clock mode 	2-system clock mode

* : F_{CH} : Main clock frequency

MB89530H Series

■ ORDERING INFORMATION

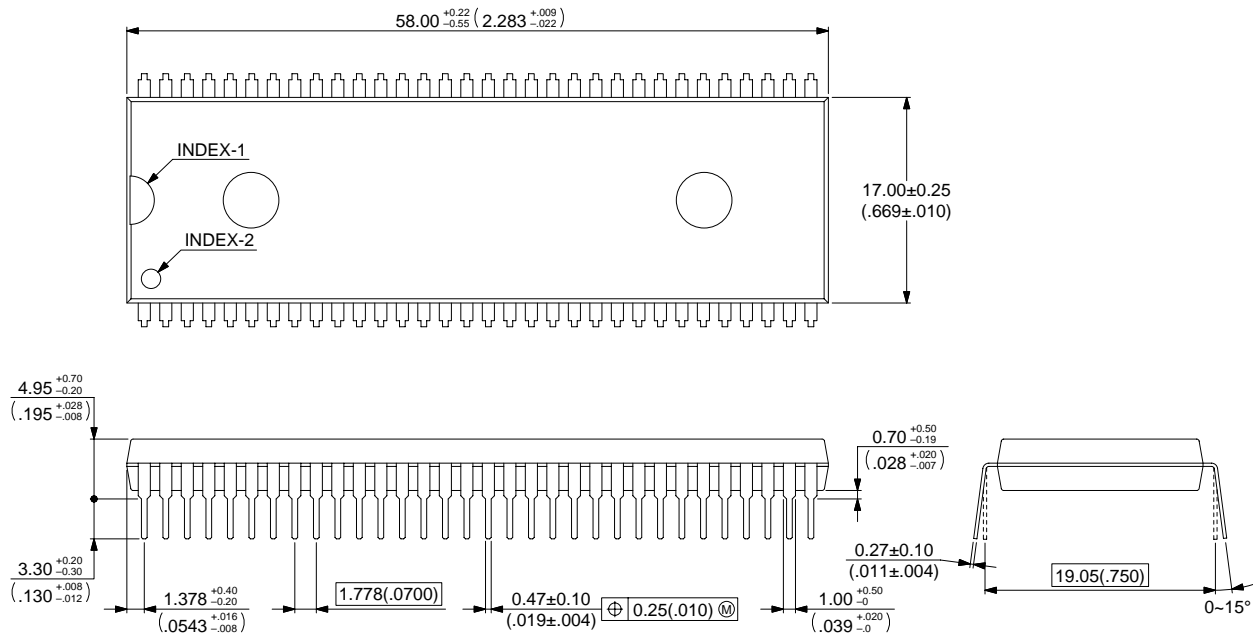
Part number	Package	Remarks
MB89537HP MB89537HCP MB89538HP MB89538HCP MB89P538P-101 MB89P538P-201	DIP-64P-M01	MB89537HP and MB89538HP do not have I ² C functions.
MB89537HPF MB89537HCPF MB89538HPF MB89538HCPF MB89P538PF-101 MB89P538PF-201	FPT-64P-M06	MB89537HPF and MB89538HPF do not have I ² C functions.
MB89537HPFM MB89537HCPFM MB89538HPFM MB89538HCPFM MB89P538PFM-101 MB89P538PFM-201	FPT-64P-M09	MB89537HPFM and MB89538HPFM do not have I ² C functions.
MB89537HPFV MB89537HCPFV MB89538HPFV MB89538HCPFV	FPT-64P-M03	MB89537HPFV and MB89538HPFV do not have I ² C functions.
MB89PV530C	MDP-64C-P02	
MB89PV530CF	MQP-64C-P01	

MB89530H Series

PACKAGE DIMENSIONS

64-pin plastic SH-DIP
(DIP-64P-M01)

Note : Pins width and pins thickness include plating thickness.



© 2001 FUJITSU LIMITED D64001S-c-4-5

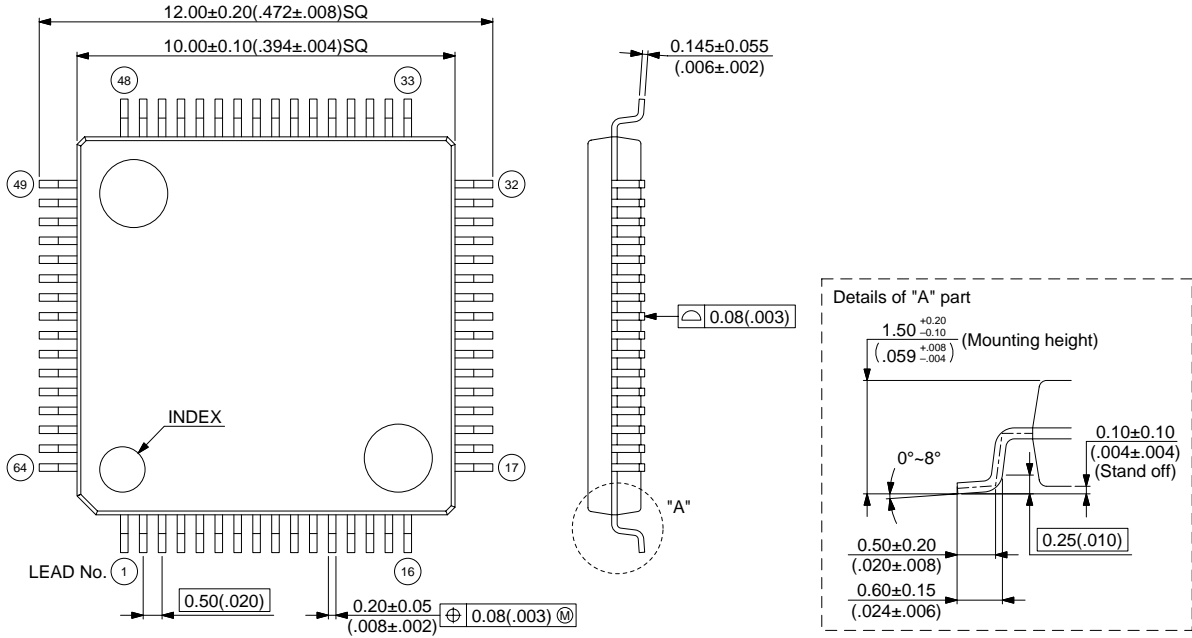
Dimensions in mm (inches)

(Continued)

MB89530H Series

64-pin, Plastic LQFP
(FPT-64P-M03)

Note : Pins width and pins thickness include plating thickness.



© 2000 FUJITSU LIMITED F64009S-c-4-7

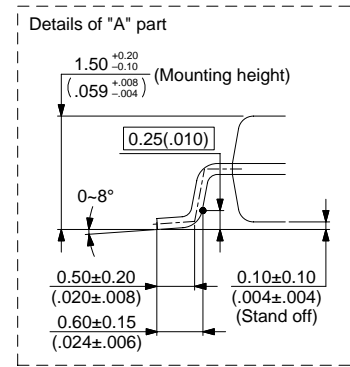
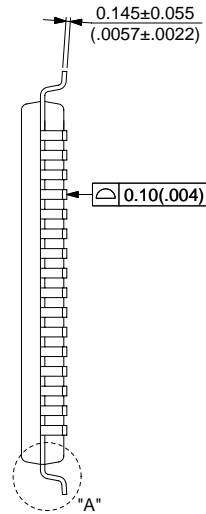
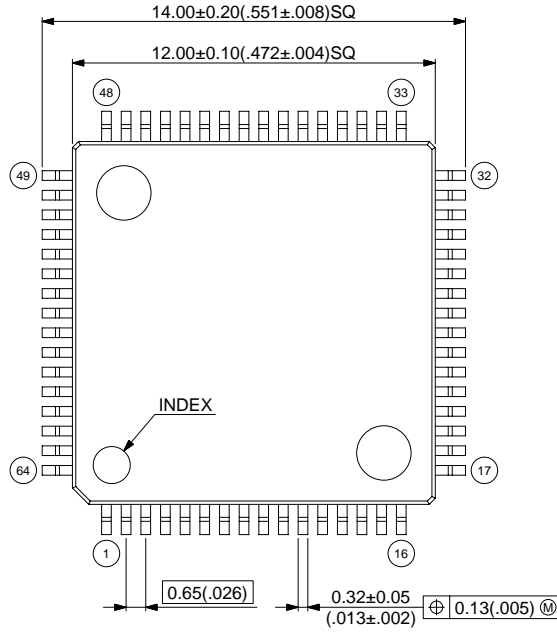
Dimensions in mm (inches)

(Continued)

MB89530H Series

64-pin, Plastic QFP
(FPT-64P-M09)

Note : Pins width and pins thickness include plating thickness.



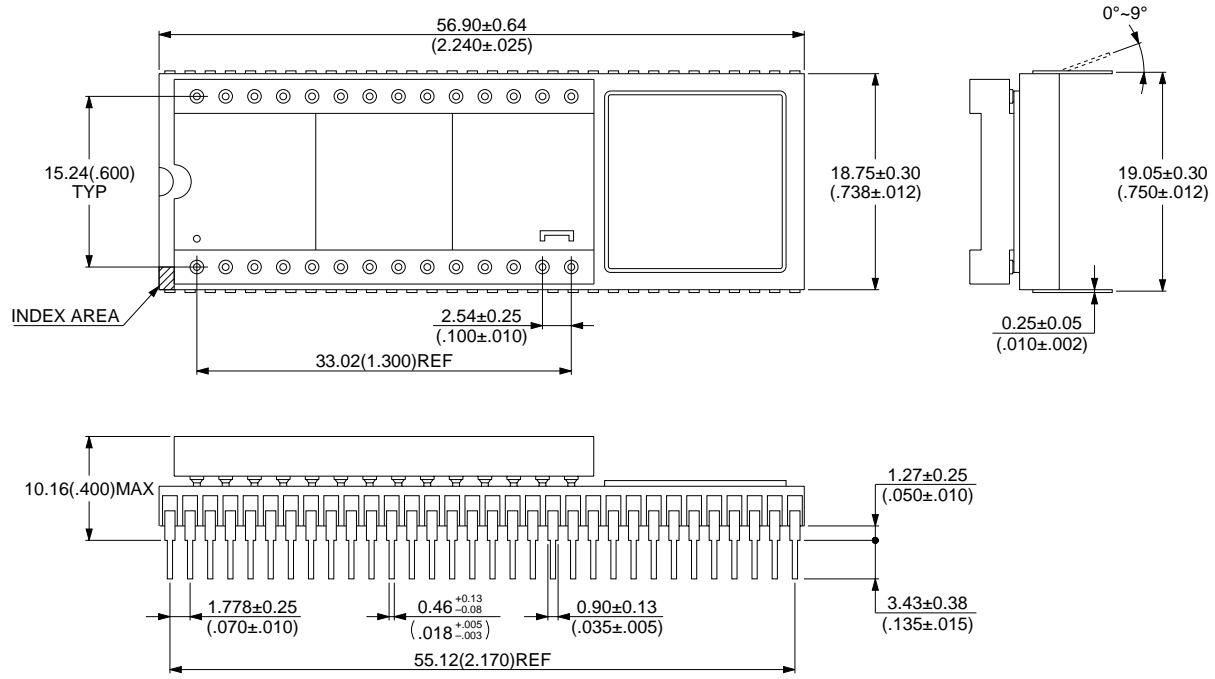
© 2001 FUJITSU LIMITED F64018S-c-2-4

Dimensions in mm (inches)

(Continued)

MB89530H Series

64-pin, Ceramic MDIP
(MDP-64C-P02)



© 1994 FUJITSU LIMITED M64002SC-1-4

Dimensions in mm (inches)

(Continued)

MB89530H Series

FUJITSU LIMITED

All Rights Reserved.

The contents of this document are subject to change without notice. Customers are advised to consult with FUJITSU sales representatives before ordering.

The information and circuit diagrams in this document are presented as examples of semiconductor device applications, and are not intended to be incorporated in devices for actual use. Also, FUJITSU is unable to assume responsibility for infringement of any patent rights or other rights of third parties arising from the use of this information or circuit diagrams.

The products described in this document are designed, developed and manufactured as contemplated for general use, including without limitation, ordinary industrial use, general office use, personal use, and household use, but are not designed, developed and manufactured as contemplated (1) for use accompanying fatal risks or dangers that, unless extremely high safety is secured, could have a serious effect to the public, and could lead directly to death, personal injury, severe physical damage or other loss (i.e., nuclear reaction control in nuclear facility, aircraft flight control, air traffic control, mass transport control, medical life support system, missile launch control in weapon system), or (2) for use requiring extremely high reliability (i.e., submersible repeater and artificial satellite).

Please note that Fujitsu will not be liable against you and/or any third party for any claims or damages arising in connection with above-mentioned uses of the products.

Any semiconductor devices have an inherent chance of failure. You must protect against injury, damage or loss from such failures by incorporating safety design measures into your facility and equipment such as redundancy, fire protection, and prevention of over-current levels and other abnormal operating conditions.

If any products described in this document represent goods or technologies subject to certain restrictions on export under the Foreign Exchange and Foreign Trade Law of Japan, the prior authorization by Japanese government will be required for export of those products from Japan.

F0201

© FUJITSU LIMITED Printed in Japan