

"High Frequency Ceramic Solutions"

2450 MHz Antenna

P/N 2450AT42B100

Ground Clearance Requirements Minimized

Detail Specification: 11/20/2008

Page 1 of 3

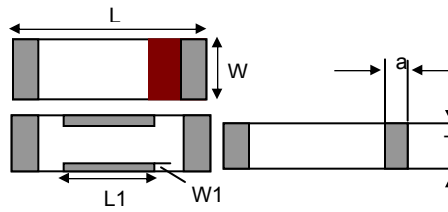
General Specifications

| | |
|-----------------|----------------------|
| Part Number | 2450AT42B100 |
| Frequency Range | 2400 - 2500 Mhz |
| Peak Gain | 0 dBi typ. (XZ-V) |
| Average Gain | -1.5 dBi typ. (XZ-V) |
| Return Loss | 9.5 dB min. |

| | |
|-----------------------|--------------|
| Input Power | 3W max. |
| Impedance | 50 Ω |
| Operating Temperature | -40 to +85°C |
| Reel Quantity | 2,000 |

Mechanical Dimensions

| | In | mm |
|----|--------------------|-----------------|
| L | 0.197 \pm 0.008 | 5.00 \pm 0.20 |
| W | 0.079 \pm 0.008 | 2.00 \pm 0.20 |
| L1 | 0.102 \pm 0.008 | 2.60 \pm 0.20 |
| W1 | 0.020 \pm 0.008 | 0.50 \pm 0.20 |
| T | 0.079 +.004/-0.008 | 2.00 +0.1/-0.2 |
| a | 0.020 \pm 0.012 | 0.50 \pm 0.30 |



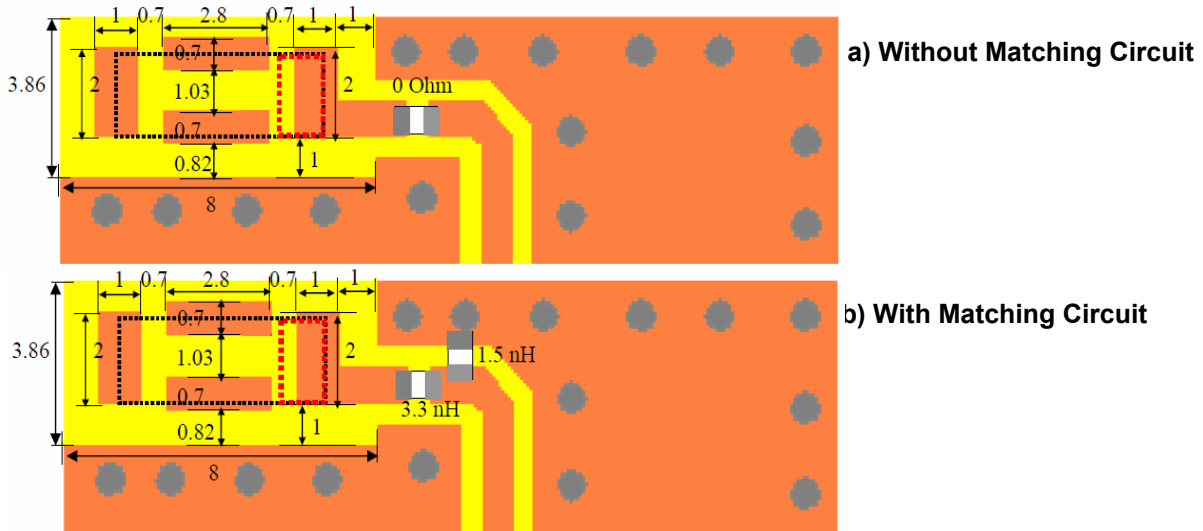
| No. | Function |
|-----|--------------------|
| 1 | Feed Point |
| 2 | Anchoring Pin-NC |
| 3 | * Anchoring Pin-NC |
| 4 | * Anchoring Pin-NC |

Mounting Considerations

Mount these devices with brown mark facing up. Units: mm

Line width should be designed to provide 50 Ω impedance matching characteristics.

* Note: Pins 3 & 4, although "No Connect", must be soldered to its PCB pads for proper electrical operation



JTI P/N for Matching Circuit:
 Inductor (1.5nH): L-07C1N5SV6T
 Inductor (3.3nH): L-07C3N3SV6T

Johanson Technology, Inc. reserves the right to make design changes without notice.

All sales are subject to Johanson Technology, Inc. terms and conditions.



www.johansontechnology.com

4001 Calle Tecate • Camarillo, CA 93012 • TEL 805.389.1166 FAX 805.389.1821

2008 Johanson Technology, Inc. All Rights Reserved

"High Frequency Ceramic Solutions"

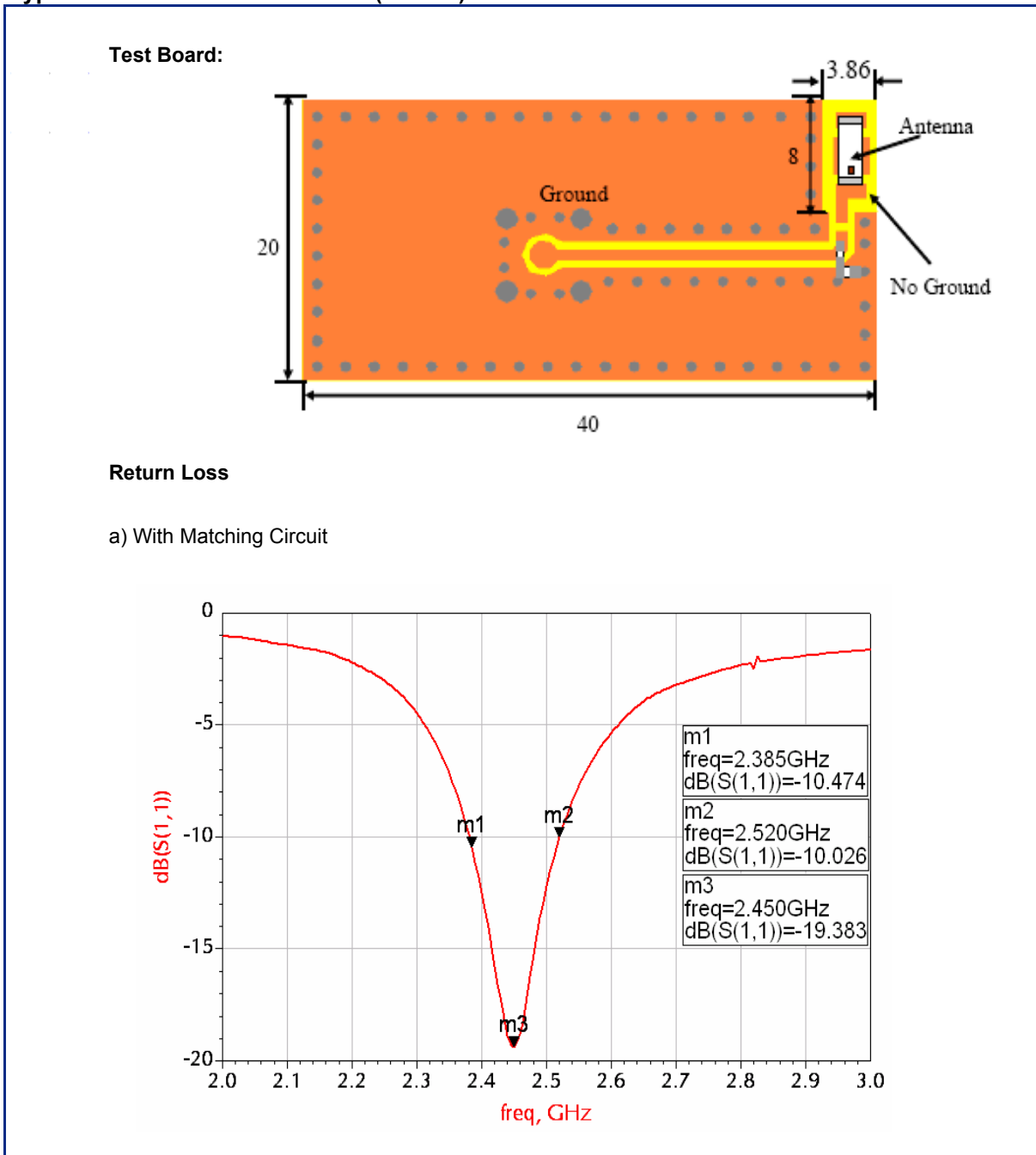
2450 MHz Antenna

P/N 2450AT42B100

Detail Specification: 11/20/08

Page 2 of 3

Typical Electrical Characteristics (T=25°C)



Johanson Technology, Inc. reserves the right to make design changes without notice.

All sales are subject to Johanson Technology, Inc. terms and conditions.

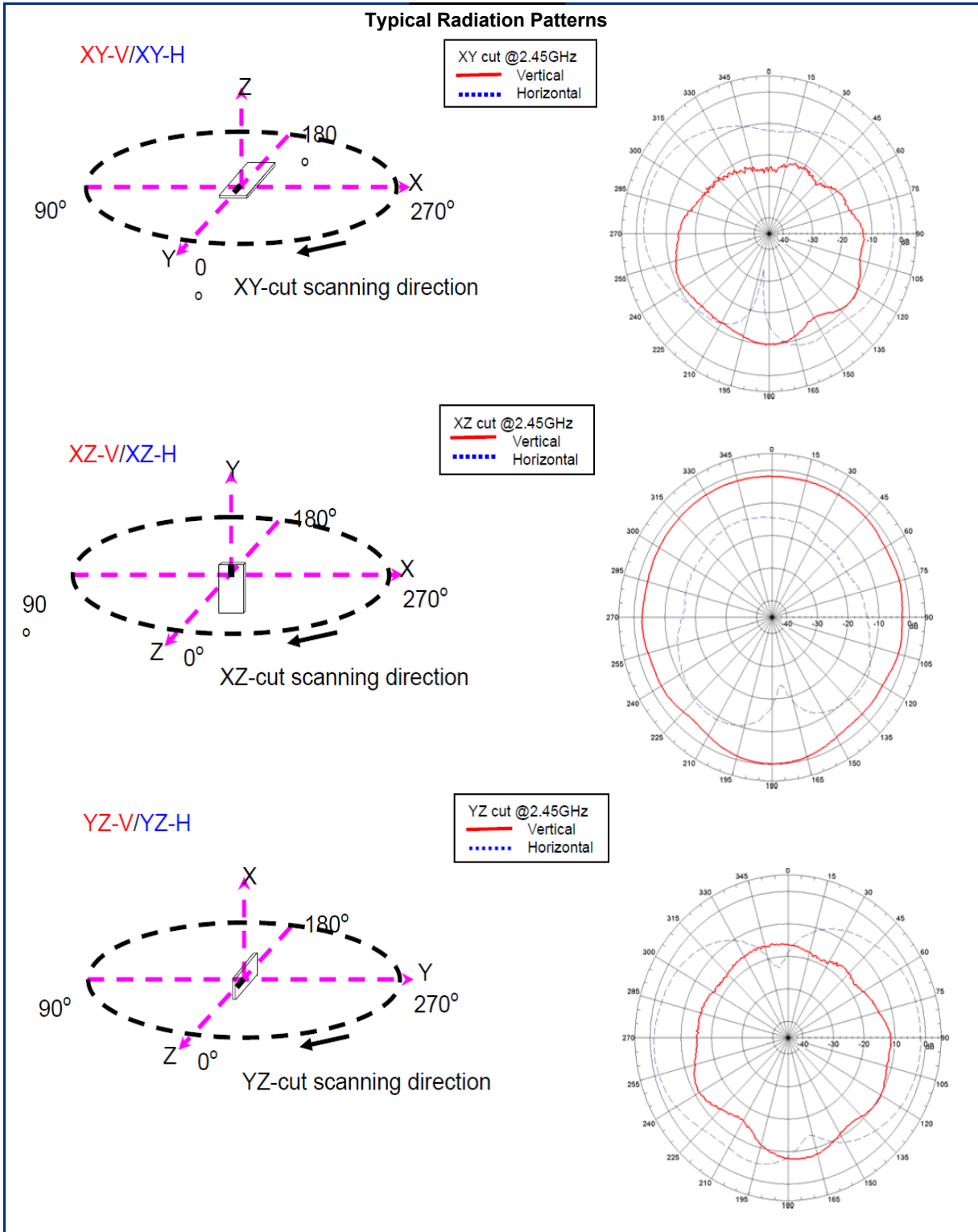
"High Frequency Ceramic Solutions"

2450 MHz Antenna

P/N 2450AT42B100

Detail Specification: 11/20/08

Page 3 of 3



Johanson Technology, Inc. reserves the right to make design changes without notice.

All sales are subject to Johanson Technology, Inc. terms and conditions.