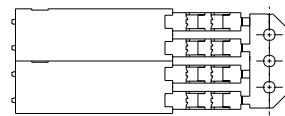
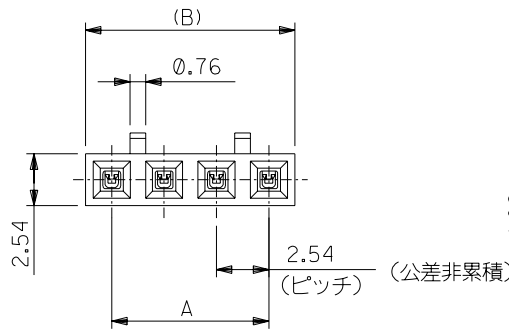
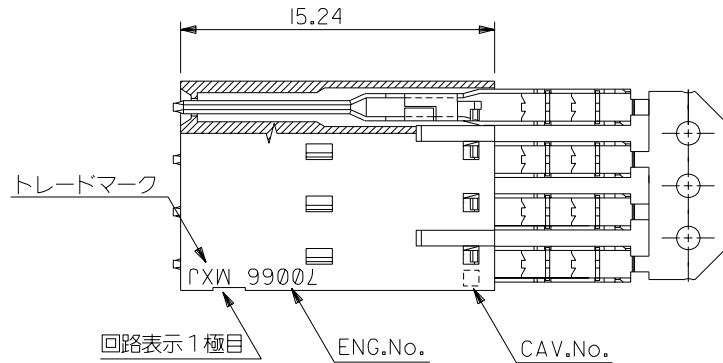


ENG. NO.
SD-70475-0****

EDP NO.
—#—

ALL DIMENSIONS IN METRIC DO NOT SCALE DRAWING

OPTION D



2極の場合
(SCALE:2-1)

注記:

- 材料
ハウジング：ガラス入りポリエステル UL 94V-0
ターミナル：燐青銅
- 仕上げ 接点部：金メッキ 0.38 μm MIN.
圧接部：錫メッキ 1.91 μm MIN.
下地メッキ：ニッケルメッキ 1.27 μm MIN.
- 極性リブは、2極の場合1箇所のみとする。
- 適合クリップ：70104-****
70013-****
70018-****
70022-****
- ハウジングの色：黒

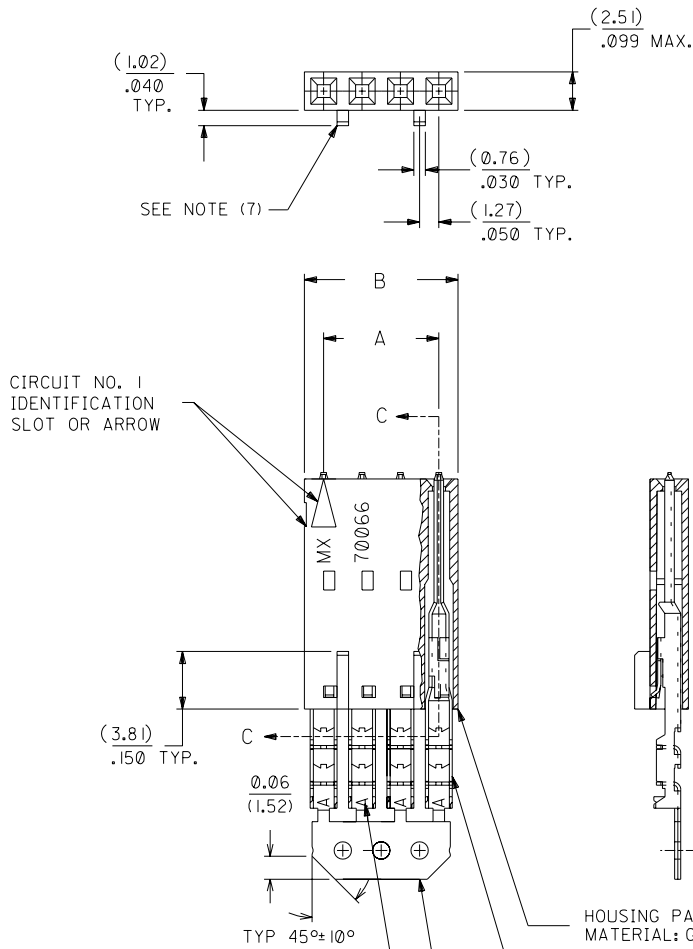
63.50	60.96	70475-0619	25
60.96	58.42	-0618	24
58.42	55.88	-0617	23
55.88	53.34	-0616	22
53.34	50.80	-0615	21
50.80	48.26	-0614	20
48.26	45.72	-0613	19
45.72	43.18	-0612	18
43.18	40.64	-0611	17
40.64	38.10	-0610	16
38.10	35.56	-0609	15
35.56	33.02	-0608	14
33.02	30.48	-0607	13
30.48	27.94	-0606	12
27.94	25.40	-0605	11
25.40	22.86	-0604	10
22.86	20.32	-0603	9
20.32	17.78	-0602	8
17.78	15.24	-0601	7
15.24	12.70	-0600	6
12.70	10.16	-0599	5
10.16	7.62	-0598	4
7.62	5.08	-0597	3
5.08	2.54	70475-0596	2
(B)	A	MATERIAL No.	極数

C 変更 (J2004-4519)		M.S.	04/05/31	材料 MATERIAL	MOLEX-JAPAN CO.,LTD. 日本モレックス株式会社
B 変更 (T20159)		S.M.	H.I	注記参照	
A 変更 (T90267)		H.H.	M.S.	仕上げ FINISH	EDP. NO. —#—
0 新規作成 (T80231)		F.F.	M.S.	注記参照	
角度 ANGLE	+3°	DR.	DATE	適用電線範囲 WIRE RANGE	AWG#24
30以上 OVER	+0.3	TR	REVISION RECORD	被覆外径 INS. RANGE	φ 1.35 MAX.
10以上 OVER	+0.25	記号		DRAWN BY	T.FURUHATA
30未満 UNDER	+0.2	変更内容		CHK'D BY	M.SASAO
10未満 UNDER	+0.2	REVISION RECORD		APP'D BY	S.YAMADA
一般公差 GENERAL TOLERANCES	REVISE ONLY ON CAD SYSTEM			尺度 SCALE	4-1
				TITLE 名称 (OPTION D) SL 2.54 SINGLE ROW ASSEMBLY, MALE I.D. CONN. -LEAD FREE-	

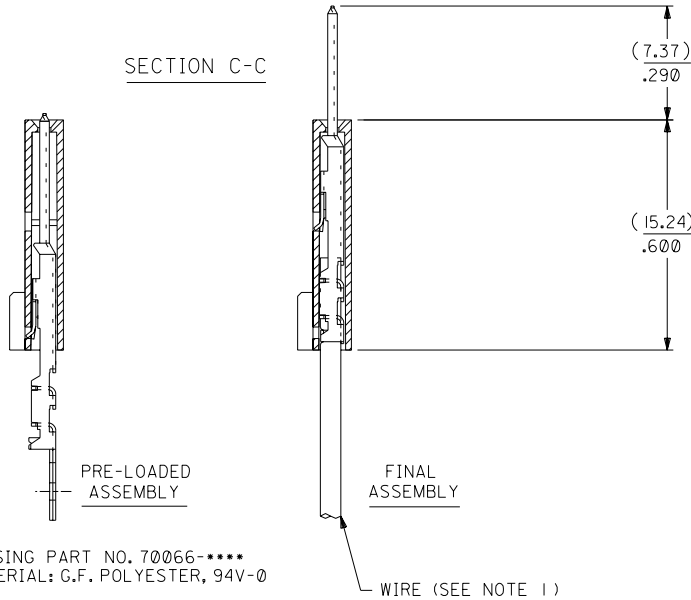
OPTION D

NOTES:

- 1) TO BE USED WITH (24) AWG. STRANDED WIRE WITH (1.35)/.053 DIA. MAX. INSULATION.
- 2) SEE CHART FOR CIRCUIT SIZES.
- 3) STANDARD PACKAGING PER PK-70873-0001. OPTIONAL PACKAGING MAY BE AVAILABLE, REQUEST DWG. PK-70475.
- 4) PARTS STACKABLE END TO END ON (2.54)/.100 CENTERS.
- 5) REFER TO PRODUCT SPECIFICATION: PS-70475.
- 6) SEE DWG. SDA-70475-**** (SHT.3) FOR OPTIONAL HOUSING DETAILS.
- 7) 4 CIRCUIT SHOWN. 3 - 25 CKT'S. HAVE (2) RIBS.
- 8) TO MATE WITH MOLEX PART NO'S.: 70018-****, 70022-****, 70104-****.
- 9) 2 CIRCUIT ASSEMBLIES SUPPLIED AS GROUPED PAIRS.



SECTION C-C



I.D. SLOT CODE TO WIRE GAUGE CHART	
I.D. SLOT CODE	WIRE GAUGE
A	24 AWG.

PLATING CODE (STRIPE ON CARRIER STRIP)	
PLATING	COLOR
15 GOLD	YELLOW

15 GOLD - .000015 MINIMUM GOLD IN SELECT AREA WITH .000075 MINIMUM TIN IN SELECT AREA OVER .000050 MINIMUM NICKEL OVER-ALL.

*THE PRIMARY SHIPPING CARTON WILL BE LABELED "COMPLIANT TO ROHS DIRECTIVE 2002/95/EC AND ELV ANNEX II OF DIRECTIVE 2000/53/EC". CARTONS WITHOUT THIS LABEL MAY CONTAIN PRODUCT WITH LEAD.

CKT. SIZE	A	B	EDP. NO.	ENG. NO.
2	(2.54) .100	(5.05) .199	14-44-1202	A-70475-0596
3	(5.08) .200	(7.59) .299	14-44-1203	A-70475-0597
4	(7.62) .300	(10.13) .399	14-44-1204	A-70475-0598
5	(10.16) .400	(12.67) .499	14-44-1205	A-70475-0599
6	(12.70) .500	(15.21) .599	14-44-1206	A-70475-0600
7	(15.24) .600	(17.75) .699	14-44-1207	A-70475-0601
8	(17.78) .700	(20.29) .799	14-44-1208	A-70475-0602
9	(20.32) .800	(22.83) .899	14-44-1209	A-70475-0603
10	(22.86) .900	(25.37) .999	14-44-1210	A-70475-0604
11	(25.54) 1.000	(27.91) 1.099	14-44-1211	A-70475-0605
12	(27.94) 1.100	(30.45) 1.199	14-44-1212	A-70475-0606
13	(30.48) 1.200	(32.99) 1.299	14-44-1213	A-70475-0607
14	(33.02) 1.300	(35.53) 1.399	14-44-1214	A-70475-0608
15	(35.56) 1.400	(38.07) 1.499	14-44-1215	A-70475-0609
16	(38.01) 1.500	(40.61) 1.599	14-44-1216	A-70475-0610
17	(40.64) 1.600	(43.15) 1.699	14-44-1217	A-70475-0611
18	(43.18) 1.700	(45.69) 1.799	14-44-1218	A-70475-0612
19	(45.72) 1.800	(48.23) 1.899	14-44-1219	A-70475-0613
20	(48.26) 1.900	(50.77) 1.999	14-44-1220	A-70475-0614
21	(50.80) 2.000	(53.31) 2.099	14-44-1221	A-70475-0615
22	(53.34) 2.100	(55.85) 2.199	14-44-1222	A-70475-0616
23	(55.88) 2.200	(58.39) 2.299	14-44-1223	A-70475-0617
24	(58.42) 2.300	(60.93) 2.399	14-44-1224	A-70475-0618
25	(60.96) 2.400	(63.47) 2.499	14-44-1225	A-70475-0619

I.D. SLOT CODE TO WIRE GAUGE CHART	
I.D. SLOT CODE	WIRE GAUGE
A	24 AWG.

PLATING CODE (STRIPE ON CARRIER STRIP)	
PLATING	COLOR
15 GOLD	YELLOW

REVISIONS LTR. REVISIONS LTR. REVISIONS		REVISED PER ECR NO. U82124 10-17-88 MGB LEAD FREE UCP2004-1769 RWHITE 04/03/24 ADD CARRIER CHAMF ECR #UDT1998-0280 05/20/98 LMCGRATH REDRAWN ON CAD ECR* 8842 5/9/86 W.Z.	DIMENSIONS SHOWN (METRIC) INCH UNLESS OTHERWISE SPECIFIED TOLERANCES: ANGULAR ± 1/2° 5 PLACE ± .010 --- 2 PLACE ± .014 ± 0.25 1 PLACE --- ± 0.35 DRAFT WHERE APPLICABLE MUST REMAIN WITHIN DIMENSIONS DRG. BY WAZ CHK'D. BY WAZ APP'D. BY RL SCALE 4 : 1	MFG, SH, REV. REVISE ONLY ON CAD SYSTEM TITLE ASSEMBLY, SL CONNECTOR (SINGLE ROW- (2.54)/.100 GRID) MOLEX INCORPORATED SHEET NO. DATE 10/13/84 L15LEJLL 60532 U.S.A. PART NO. SDA-70475-0596-0619 SEE CHART FILE NAME 5704750X4 THIS DRAWING CONTAINS INFORMATION THAT IS PROPRIETARY TO MOLEX INC. AND SHOULD NOT BE USED WITHOUT WRITTEN PERMISSION.
--	--	--	---	--