

PLEASE CHECK WWW.MOLEX.COM FOR LATEST PART INFORMATION

Part Number: [0945509002](#)
Status: **Active**
Overview: [rast 5 connector system](#)
Description: 5.00mm (.197") Pitch, Rast 5, PA Polyamide (Nylon) 6/6, UL 94V-2, 2 Circuits, Natural

Documents:

[3D Model](#) [Product Specification PS-94550-001 \(PDF\)](#)
[Drawing \(PDF\)](#) [RoHS Certificate of Compliance \(PDF\)](#)

Agency Certification

CSA LR19980
 UL E29179

General

Product Family Crimp Housings
 Series [94550](#)
 Overview [rast 5 connector system](#)
 Product Name RAST 5

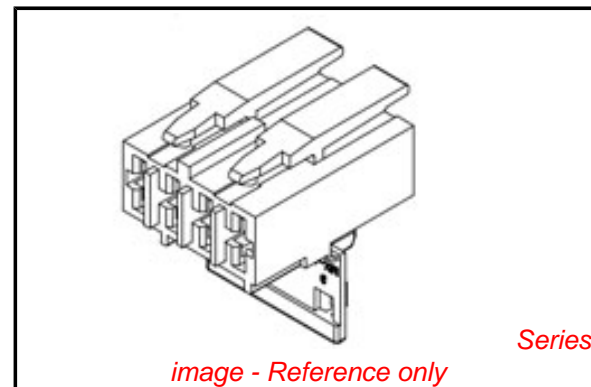
Physical

Breakaway No
 Circuits (maximum) 2
 Color - Resin Natural
 Flammability 94V-0
 Gender Female
 Glow-Wire Compliant No
 Lock to Mating Part Yes
 Material - Resin Nylon
 Number of Rows 1
 Packaging Type Bag
 Panel Mount No
 Pitch - Mating Interface (in) 0.197 In
 Pitch - Mating Interface (mm) 5.00 mm
 Pitch - Term. Interface (in) 0.197 In
 Pitch - Term. Interface (mm) 5.00 mm
 Polarized to Mating Part Yes
 Ports 1
 Stackable No
 Temperature Range - Operating -40°C to +85°C

Material Info

Reference - Drawing Numbers

Product Specification PS-94550-001
 Sales Drawing SD-94550-001
 Test Summary TS-94550-001



EU RoHS

**ELV and RoHS
 Compliant**
REACH SVHC
 Not Reviewed
**Halogen-Free
 Status**
Not Reviewed

China RoHS



**Need more information on product
 environmental compliance?**

Email productcompliance@molex.com
 For a multiple part number RoHS Certificate of
 Compliance, [click here](#)

Please visit the [Contact Us](#) section for any
 non-product compliance questions.

Search Parts in this Series

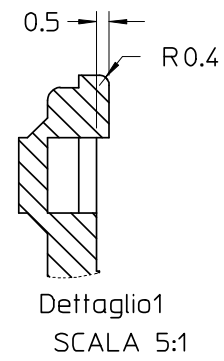
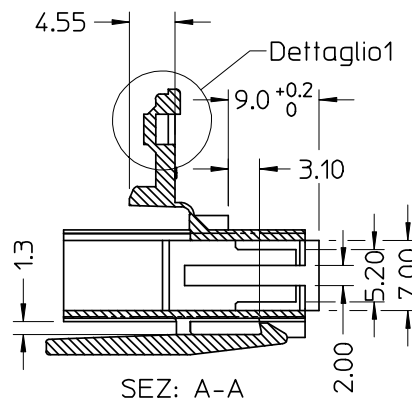
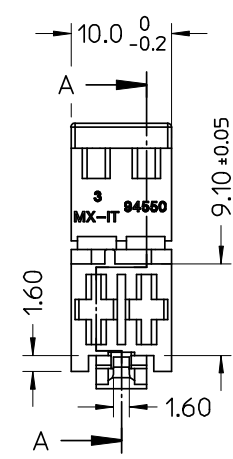
[94550Series](#)

Mates With

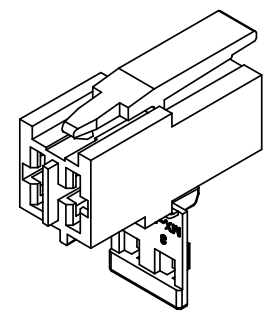
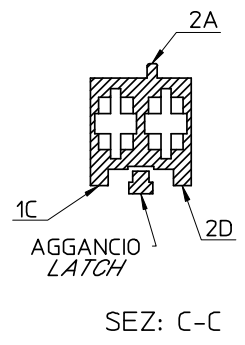
Rast 5 Headers, [90858](#) Vertical Header,
[90879](#) Right Angle Header

Use With

[94518](#) Crimp Terminal, [94549](#) Crimp
 Terminal



CONFIGURAZIONE POLARIZZAZIONI
POLARIZATION CONFIGURATION

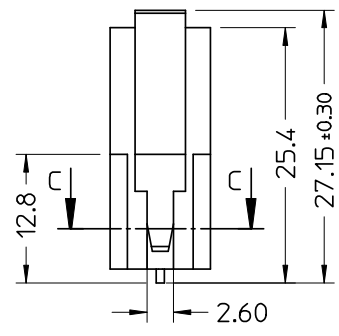
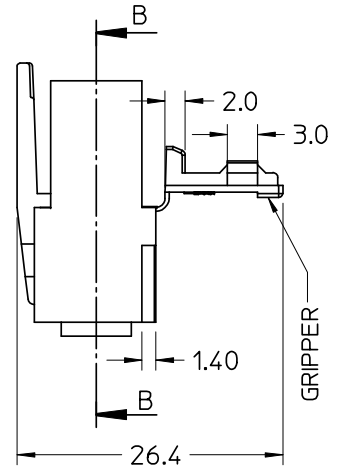
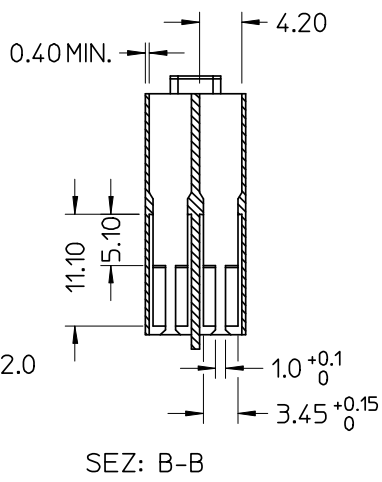
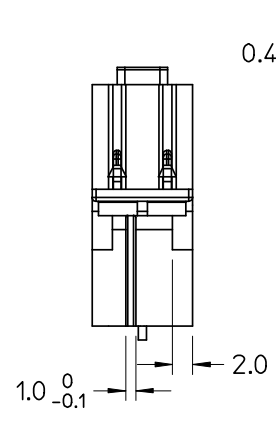


NOTE:
 - USATO CON TERMINALE 94518-0XXX E 94549-0XXX
 - SPECIFICA DI RIFERIMENTO PER IL CONNETTORE PS-94550-001
 - PER CARATTERISTICHE DI CRIMPATURA RIF. SD-94518-005 E SD-94549-001
 - FORZA DI DISACCOPIAMENTO CONNETTORE (TRAZIONANDO DAI CAVI SENZA AZIONARE L'AGGANCIO): 40 N MIN.
 - SPESSORE MINIMO PARETI CONNETTORE 0.40 mm.

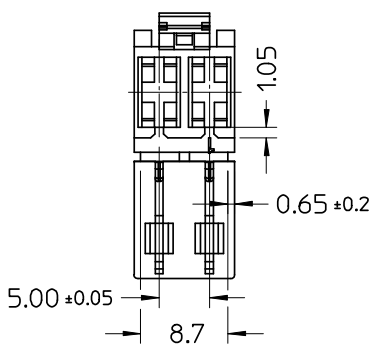
NOTE:
 - USED WITH TERMINALS 94518-0XXX AND 94549-0XXX
 - REFER TO PS-94550-001 FOR CONNECTOR SPECIFICATION
 - REFER TO SD-94518-005 AND SD-94549-001 FOR CRIMPING CHARACTERISTICS
 - CONNECTOR DISENGAGEMENT FORCE (PULLING BY THE WIRES, WITHOUT ACTUATING THE LATCH): 40 N MIN.
 - MINIMUM CONNECTOR WALL THICKNESS 0.40 mm

P/N	MATERIAL/COLOR
94550-9002	NYLON 6.6 V0 NATURAL
94550-9092	NYLON 6.6 V0 GREY

CONFEZIONE: Box da 3500 Pz.
 PACKAGING: 3500 pcs in carton box



AGENCY
 RECOGNIZATIONS
 CSA (file LR19980)
 UL (file E-29179)



SPQ =3500

Std. Descr: "HSG W/SEC LOCK AND LATCH 2CKT _____ COLOR"

EC NO: Z2004-0206 DRWN: FGOTTARD 2004/05/12 CHKD: RSANDAN 2004/05/12 APPR: GZUIN 2004/05/13	QUALITY SYMBOLS	GENERAL TOLERANCES (UNLESS SPECIFIED)	SCALE 2:1	DESIGN UNITS METRIC	FIRST ANGLE PROJECTION	REVISE ON CAD ONLY	
	DESCRIPTION REV ▲ = 0 ▽ = 0	mm	INCH	DIMENSION STYLE MM ONLY		TITLE HSG 2 CKT WITH SEC. LOCK AND EXTERNAL LATCH	
		4 PLACES ± --- ± ---	3 PLACES ± --- ± ---	DRAWN BY FGOTTARD	DATE 2002/06/27	MOLEX INCORPORATED MATERIAL NO. SEE TABLE DOCUMENT NO. SD-94550-001 SHEET NO. 1 OF 1	
		2 PLACES ± 0.10 ± ---	1 PLACE ± 0.2 ± ---	CHECKED BY MTESTAGU	DATE 2002/06/27		
ANGULAR ± 2 °	DRAFT WHERE APPLICABLE		APPROVED BY GZUIN	DATE 2002/06/27	THIS DRAWING CONTAINS INFORMATION THAT IS PROPRIETARY TO MOLEX INCORPORATED AND SHOULD NOT BE USED WITHOUT WRITTEN PERMISSION		