

**PLEASE CHECK WWW.MOLEX.COM FOR LATEST PART INFORMATION**

**Part Number:** [0784990001](#)  
**Status:** **Active**  
**Description:** Camera Socket for Mobile Phone, SMT, Bottom Contact, 6.5x6.5 Camera Module, with Pick-and-Place Cap

**Documents:**

[Drawing \(PDF\)](#) [RoHS Certificate of Compliance \(PDF\)](#)  
[Product Specification PS-78499-001 \(PDF\)](#)

**General**

Product Family	Other Sockets
Series	<a href="#">78499</a>
Comments	With Cap
Component Type	Socket
Product Name	Camera Socket

**Physical**

Circuits (Loaded)	24
Circuits (maximum)	24
Color - Resin	Black
Durability (mating cycles max)	5
Entry Angle	Vertical (Top Entry)
Keying to Mating Part	Yes
Material - Metal	Copper Alloy
Material - Plating Mating	Gold
Material - Plating Termination	Gold
Material - Resin	High Temperature Thermoplastic
PCB Locator	No
PCB Retention	Yes
Packaging Type	Embossed Tape on Reel
Pitch - Mating Interface (in)	0.024 In
Pitch - Mating Interface (mm)	0.60 mm
Pitch - Term. Interface (in)	0.024 In
Pitch - Term. Interface (mm)	0.60 mm
Plating min: Mating (µin)	12
Plating min: Mating (µm)	0.3
Plating min: Termination (µin)	0.8
Plating min: Termination (µm)	0.020
Temperature Range - Operating	-55°C to +85°C
Termination Interface: Style	Surface Mount

**Electrical**

Current - Maximum per Contact	.5A
Voltage - Maximum	50V DC

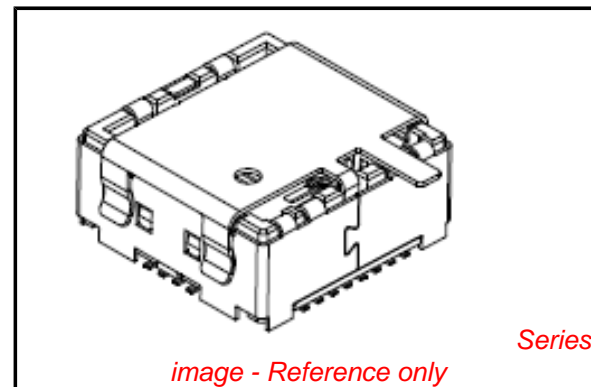
**Solder Process Data**

Duration at Max. Process Temperature (seconds)	10
Lead-free Process Capability	Reflow Capable (SMT only)
Max. Cycles at Max. Process Temperature	10
Process Temperature max. C	260

**Material Info**

**Reference - Drawing Numbers**

Packaging Specification	PK-78499-001
Product Specification	PS-78499-001
Sales Drawing	SD-78499-001



**EU RoHS**

**ELV and RoHS  
Compliant**  
**REACH SVHC  
Contains SVHC: No**  
**Halogen-Free  
Status  
Not Reviewed**

**China RoHS**



**Need more information on product  
environmental compliance?**

Email [productcompliance@molex.com](mailto:productcompliance@molex.com)  
For a multiple part number RoHS Certificate of Compliance, [click here](#)

Please visit the [Contact Us](#) section for any non-product compliance questions.

**Search Parts in this Series**

[78499Series](#)

**Mates With**

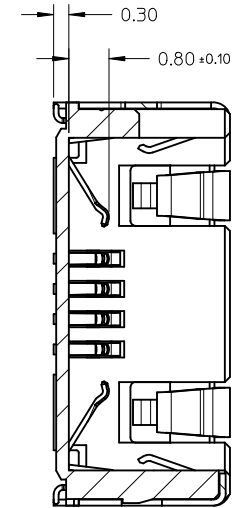
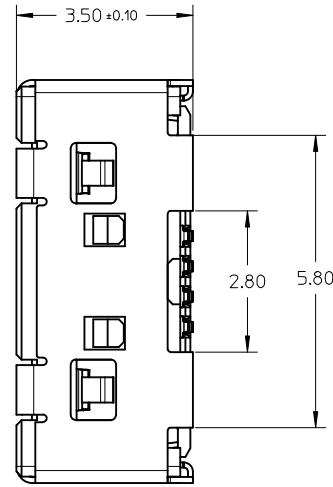
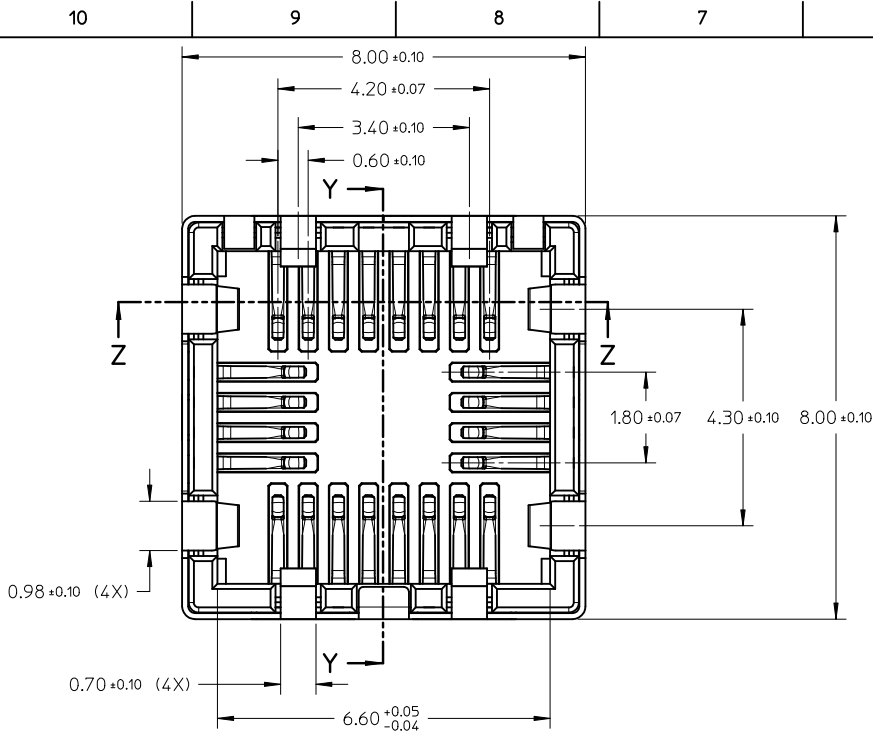
Camera Module

**Use With**

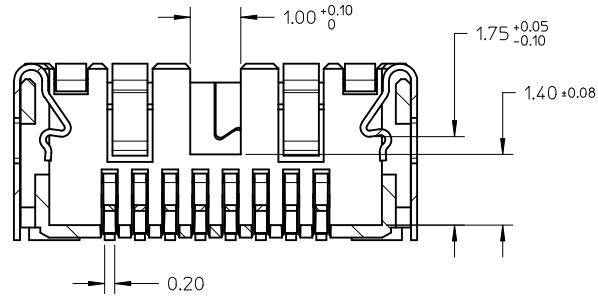
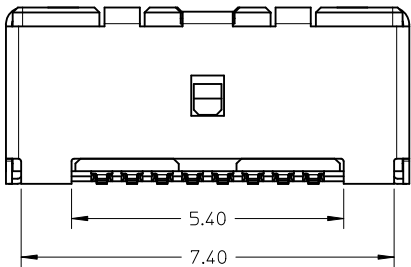
[78499-0501](#) Cap

This document was generated on 05/17/2010

**PLEASE CHECK [WWW.MOLEX.COM](http://WWW.MOLEX.COM) FOR LATEST PART INFORMATION**



SECTION Y-Y

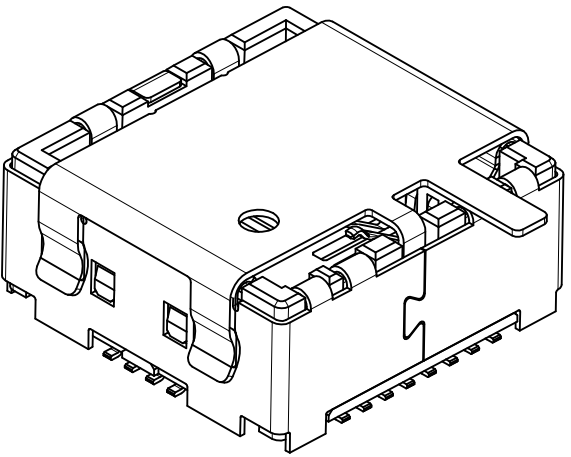
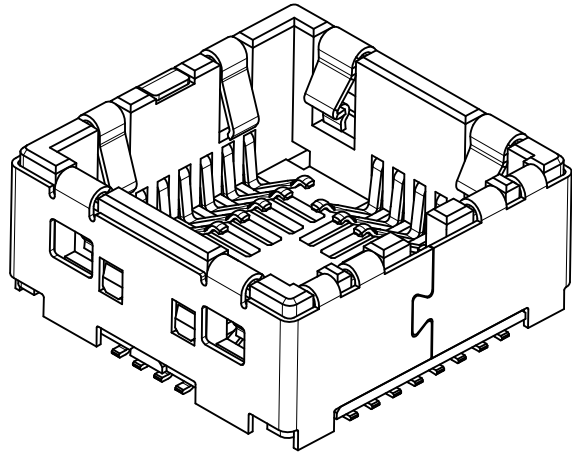
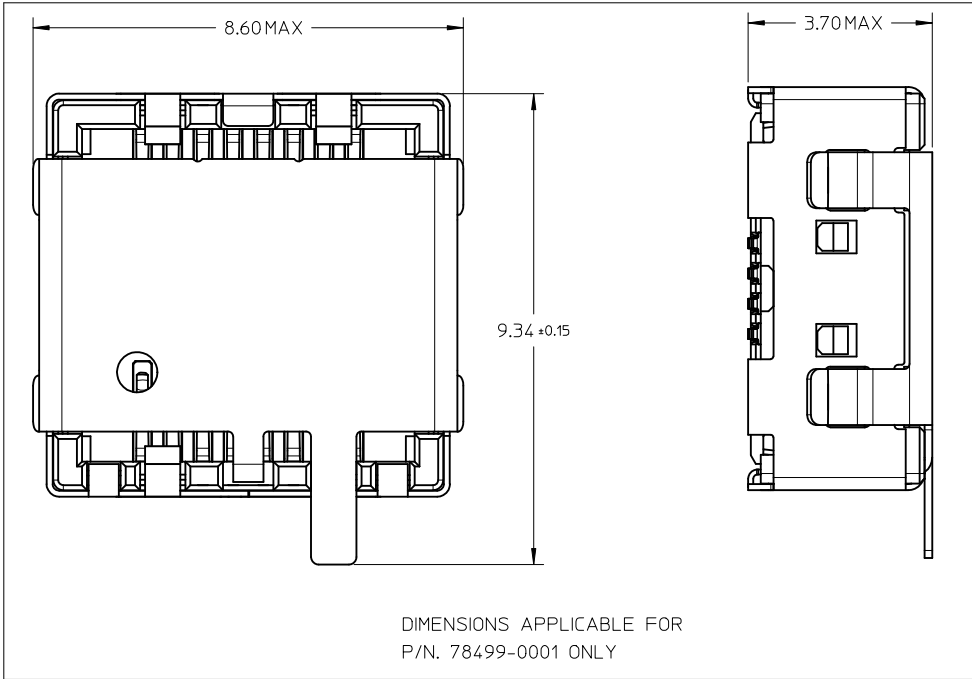


SECTION Z-Z

NOTES:

1. MATERIALS  
HOUSING: HIGH TEMPERATURE PLASTIC, BLACK  
TERMINAL: COPPER ALLOY.  
SHIELD : COPPER ALLOY.
2. FINISHES  
SHIELD : SOLDERABLE NICKEL PLATING OVERALL  
TERMINAL: NICKEL UNDERPLATING 1.0 MICROMETER MIN OVERALL  
GOLD PLATING 0.3 MICROMETER MIN ON CONTACT AREA  
GOLD PLATING 0.02 MICROMETER MIN ON SOLDER TAIL
3. PRODUCT SPECIFICATION : PS-78499-001
4. PACKAGING : TAPE AND REEL. REFER TO PK-78499-001
5. OVERALL COPLANARITY TO BE 0.10 MM MAX

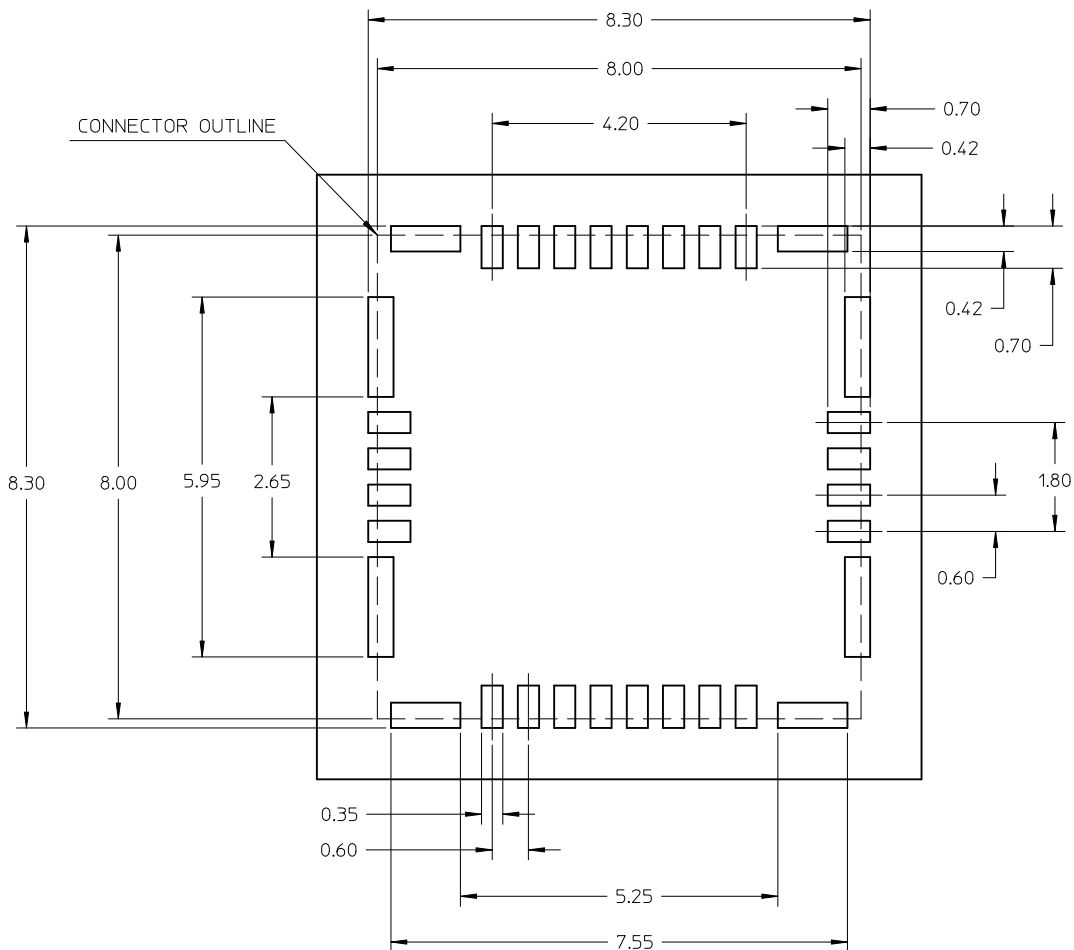
CORRECT GEN TOL EC NO: S2010-0926 DRW:DWLEED1 2010/04/23 CHKD:CGTAN 2009/06/30 APPR:SHLENI 2010/05/21	QUALITY SYMBOLS ▽ <sub>A</sub> =0 ▽ <sub>B</sub> =0 ▽ <sub>C</sub> =0	GENERAL TOLERANCES (UNLESS SPECIFIED)		DIMENSION STYLE MM ONLY		SCALE NTS	DESIGN UNITS METRIC	THIRD ANGLE PROJECTION		
		mm	INCH	DRAWN BY CMTEO	DATE 2009/03/31	TITLE 6.5*6.5 CAMERA SOCKET SMT BOTTOM CONTACT TYPE				
		4 PLACES ± --- ± ---	3 PLACES ± --- ± ---	CHECKED BY CGTAN	DATE 2009/06/30	APPROVED BY SHLENI 2010/05/21				
		2 PLACES ± 0.15 ± ---	1 PLACE ± --- ± ---	APPROVED BY SHLENI 2010/05/21			MATERIAL NO.		DOCUMENT NO.	
ANGULAR ± 1 °		DRAFT WHERE APPLICABLE MUST REMAIN WITHIN DIMENSIONS		SEE TABLE		MOLEX INCORPORATED			SHEET NO. 1 OF 4	
SIZE A3		THIS DRAWING CONTAINS INFORMATION THAT IS PROPRIETARY TO MOLEX INCORPORATED AND SHOULD NOT BE USED WITHOUT WRITTEN PERMISSION								



PART NO.	CAP CONFIGURATION	PACKAGING
78499-0001	WITH PICK AND PLACE CAP	TAPE AND REEL
78499-0002	WITHOUT PICK AND PLACE CAP	

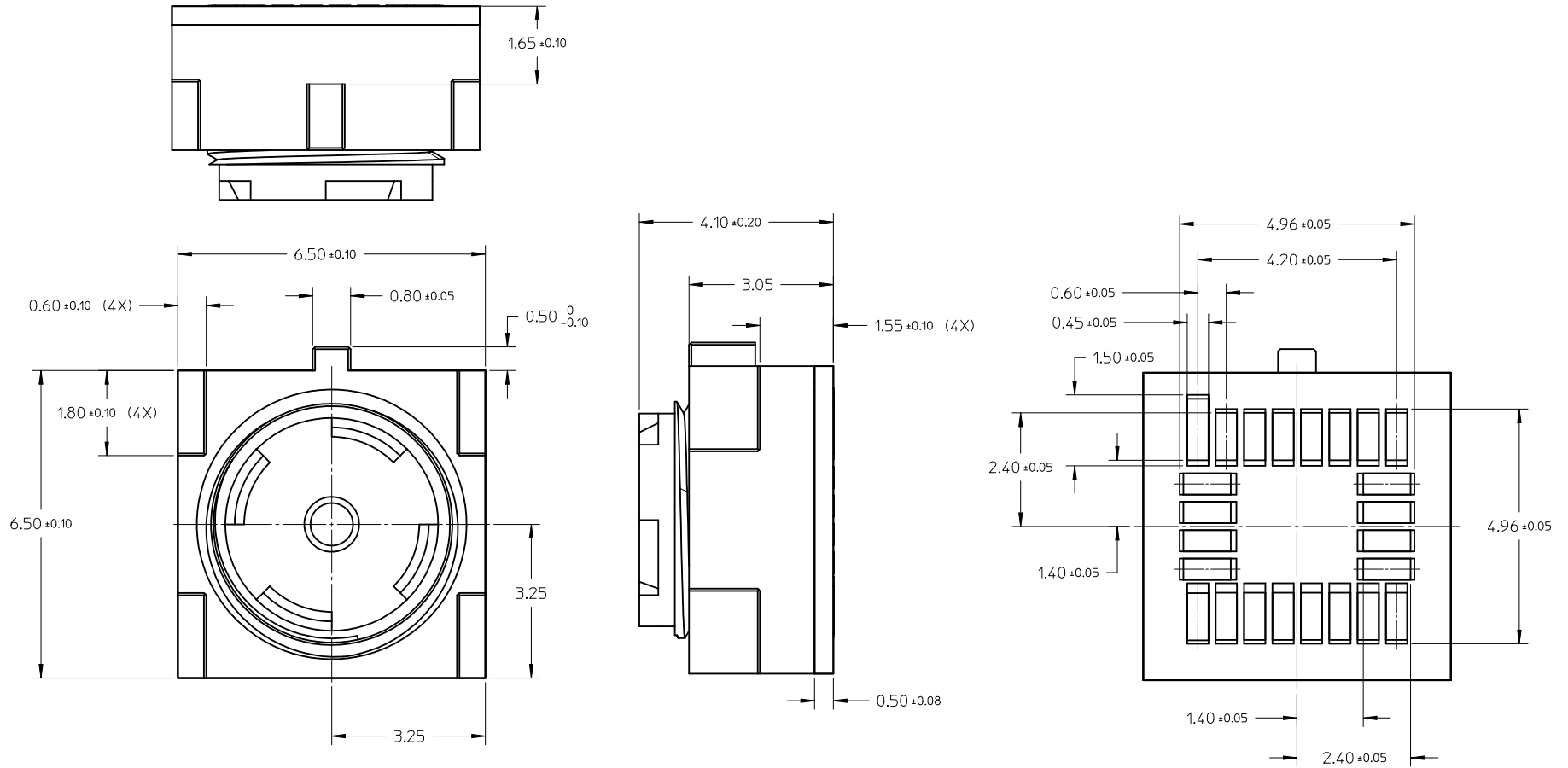
CORRECT GEN TOL EC NO: S2010-0926 DRW:DWLEED1 2010/04/23 CHKD:CGTAN 2009/06/30 APPR:SHLENI 2010/05/21	QUALITY SYMBOLS	GENERAL TOLERANCES (UNLESS SPECIFIED)	DIMENSION STYLE MM ONLY	SCALE NTS	DESIGN UNITS METRIC	THIRD ANGLE PROJECTION																															
	$\nabla_A = 0$ $\nabla_C = 0$ $\nabla_P = 0$	<table border="1"> <thead> <tr> <th></th> <th>mm</th> <th>INCH</th> </tr> </thead> <tbody> <tr> <td>4 PLACES</td> <td>± ---</td> <td>± ---</td> </tr> <tr> <td>3 PLACES</td> <td>± ---</td> <td>± ---</td> </tr> <tr> <td>2 PLACES</td> <td>± 0.15</td> <td>± ---</td> </tr> <tr> <td>1 PLACE</td> <td>± ---</td> <td>± ---</td> </tr> </tbody> </table>		mm	INCH	4 PLACES	± ---	± ---	3 PLACES	± ---	± ---	2 PLACES	± 0.15	± ---	1 PLACE	± ---	± ---	<table border="1"> <thead> <tr> <th>DRAWN BY</th> <th>DATE</th> <th>TITLE</th> </tr> </thead> <tbody> <tr> <td>CMTEO</td> <td>2009/03/31</td> <td rowspan="3">6.5*6.5 CAMERA SOCKET SMT BOTTOM CONTACT TYPE</td> </tr> <tr> <td>CHECKED BY</td> <td>DATE</td> </tr> <tr> <td>CGTAN</td> <td>2009/06/30</td> </tr> <tr> <td>APPROVED BY</td> <td>DATE</td> <td></td> </tr> <tr> <td>SHLENI</td> <td>2010/05/21</td> <td></td> </tr> </tbody> </table>	DRAWN BY	DATE	TITLE	CMTEO	2009/03/31	6.5*6.5 CAMERA SOCKET SMT BOTTOM CONTACT TYPE	CHECKED BY	DATE	CGTAN	2009/06/30	APPROVED BY	DATE		SHLENI	2010/05/21				
		mm	INCH																																		
	4 PLACES	± ---	± ---																																		
3 PLACES	± ---	± ---																																			
2 PLACES	± 0.15	± ---																																			
1 PLACE	± ---	± ---																																			
DRAWN BY	DATE	TITLE																																			
CMTEO	2009/03/31	6.5*6.5 CAMERA SOCKET SMT BOTTOM CONTACT TYPE																																			
CHECKED BY	DATE																																				
CGTAN	2009/06/30																																				
APPROVED BY	DATE																																				
SHLENI	2010/05/21																																				
	ANGULAR ± 1 °	DRAFT WHERE APPLICABLE MUST REMAIN WITHIN DIMENSIONS	SEE TABLE	MATERIAL NO.	DOCUMENT NO.	SHEET NO.																															
A2	REV		SIZE A3	THIS DRAWING CONTAINS INFORMATION THAT IS PROPRIETARY TO MOLEX INCORPORATED AND SHOULD NOT BE USED WITHOUT WRITTEN PERMISSION																																	

# RECOMMENDED PCB LAYOUT



<b>CORRECT GEN TOL</b> EC NO: S2010-0926 DRW: DMLEED1 2010/04/23 CHKD: CGTAN 2009/06/30 APPR: SHLENI 2010/05/21	QUALITY SYMBOLS $F_A=0$ $F_G=0$ $F_P=0$	GENERAL TOLERANCES (UNLESS SPECIFIED) mm INCH 4 PLACES ± --- ± --- 3 PLACES ± --- ± --- 2 PLACES ± 0.15 ± --- 1 PLACE ± --- ± --- ANGULAR ± 1°	DIMENSION STYLE <b>MM ONLY</b> DRAWN BY: CMTEO DATE: 2009/03/31 CHECKED BY: CGTAN DATE: 2009/06/30 APPROVED BY: SHLENI DATE: 2010/05/21	SCALE: NTS DESIGN UNITS: METRIC THIRD ANGLE PROJECTION	TITLE: 6.5*6.5 CAMERA SOCKET SMT BOTTOM CONTACT TYPE MOLEX INCORPORATED DOCUMENT NO. SD-78499-001 SHEET NO. 3 OF 4
	DRAFT WHERE APPLICABLE MUST REMAIN WITHIN DIMENSIONS	SEE TABLE	THIS DRAWING CONTAINS INFORMATION THAT IS PROPRIETARY TO MOLEX INCORPORATED AND SHOULD NOT BE USED WITHOUT WRITTEN PERMISSION		
	A2	A3	A3		
	REV	DESCRIPTION	MATERIAL NO.		

# APPLICABLE CAMERA MODULE



<b>CORRECT GEN TOL</b> EC NO: S2010-0926 DRWING: DML/EE01 2010/04/23 CHKD: CGTAN 2009/06/30 APPR: SHLENI 2010/05/21	QUALITY SYMBOLS $\nabla_A = 0$ $\nabla_C = 0$ $\nabla_P = 0$	GENERAL TOLERANCES (UNLESS SPECIFIED)		DIMENSION STYLE	SCALE	DESIGN UNITS	THIRD ANGLE PROJECTION		
				MM ONLY	NTS	METRIC			
				mm	INCH	DRAWN BY	DATE	TITLE <b>6.5*6.5 CAMERA SOCKET                  SMT BOTTOM CONTACT TYPE</b>	
				4 PLACES ± ---	± ---	CMTEO	2009/03/31		
		3 PLACES ± ---	± ---	CHECKED BY	DATE	<b>MOLEX INCORPORATED</b>			
		2 PLACES ± 0.15	± ---	CGTAN	2009/06/30				
		1 PLACE ± ---	± ---	APPROVED BY	DATE	DOCUMENT NO. <b>SD-78499-001</b>			
		ANGULAR ± 1 °		SHLENI	2010/05/21				
		DRAFT WHERE APPLICABLE MUST REMAIN WITHIN DIMENSIONS		SEE TABLE		SHEET NO. 4 OF 4			
				THIS DRAWING CONTAINS INFORMATION THAT IS PROPRIETARY TO MOLEX INCORPORATED AND SHOULD NOT BE USED WITHOUT WRITTEN PERMISSION					