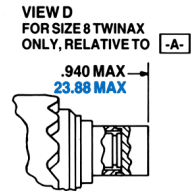
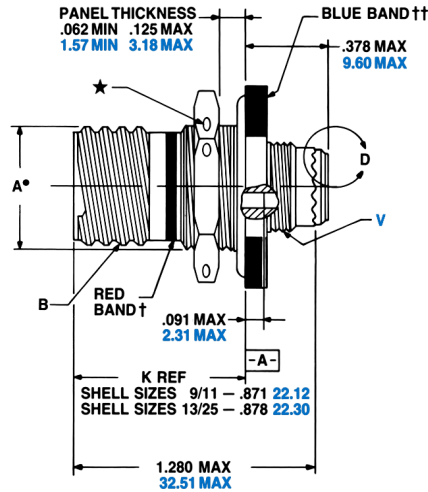
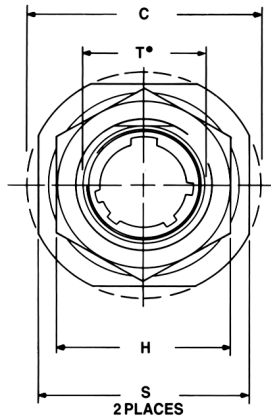


# TV07R (D38999/24)\* – crimp, metal

# CTV07R (D38999/24)\*\* – crimp, composite

## jam nut receptacle

TV07RW-XX-XXX  
 TVS07RK-XX-XXX  
 TVS07RF-XX-XXX  
 TVS07RS-XX-XXX  
 CTV07RW-XX-XXX  
 CTVS07RF-XX-XXX  
 D38999/24



- † Red band indicates fully mated
- †† Blue band indicates rear release contact retention system
- ★ .059 dia. min. 3 lockwire holes  
2.32 dia min.  
Formed lockwire hole design (6 holes) is optional
- \* To complete order number for TV metal connectors, see pages 32 and 33.
- \*\* To complete order number for CTV composite connectors, see pages 34 and 35.

Inches

Shell Size	MS Shell Size Code	A* +.000 -.010	B Thread Class 2A 0.1P-0.3L-TS (Plated)	C Max.	H Hex +.017 -.016	S ±.010	T* +.010 -.000
9	A	.669	.6250	1.199	.875	1.062	.697
11	B	.769	.7500	1.386	1.000	1.250	.822
13	C	.955	.8750	1.511	1.188	1.375	1.007
15	D	1.084	1.0000	1.636	1.312	1.500	1.134
17	E	1.208	1.1875	1.761	1.438	1.625	1.259
19	F	1.333	1.2500	1.949	1.562	1.812	1.384
21	G	1.459	1.3750	2.073	1.688	1.938	1.507
23	H	1.575	1.5000	2.199	1.812	2.062	1.634
25	J	1.709	1.6250	2.323	2.000	2.188	1.759

Millimeters

Shell Size	MS Shell Size Code	A* +.00 -.25	C Max.	H Hex +.43 -.41	S ±.25	T* +.25 -.00	V Thread Metric
9	A	16.99	30.45	22.23	26.97	17.70	M12X1-6g
11	B	19.53	35.20	25.40	31.75	20.88	M15X1-6g
13	C	24.26	38.38	30.18	34.93	25.58	M18X1-6g
15	D	27.53	41.55	33.32	38.10	28.80	M22X1-6g
17	E	30.68	44.73	36.53	41.28	31.98	M25X1-6g
19	F	33.86	49.50	39.67	46.02	35.15	M28X1-6g
21	G	37.06	52.65	42.80	49.23	38.28	M31X1-6g
23	H	40.01	55.85	46.02	52.37	41.50	M34X1-6g
25	J	43.41	59.00	50.80	55.58	44.68	M37X1-6g

All dimensions for reference only.

• D shaped panel cut-out dimensions