

# **LK645D3LZ1U**

## **TFT-LCD Module**

Spec. Issue Date: August 11, 2006

No: LD-18857

**SHARP**

No.	<b>LD-18857</b>
DATE	<b>Aug 11, 2006</b>

TECHNICAL LITERATURE  
FOR  
**TFT - LCD module**

MODEL No. **LK645D3LZ1U**

The technical literature is subject to change without notice.  
So, please contact SHARP or its representative before designing  
your product based on this literature.

AVC DESIGN CENTER  
DEVELOPMENT CENTER  
AVC LIQUID CRYSTAL DISPLAY GROUP  
SHARP CORPORATION



## 1. Application

This technical literature applies to the color 64.5" TFT-LCD module LK645D3LZ1U.

- \* These technical literature sheets are proprietary products of SHARP CORPORATION ("SHARP") and include materials protected under copyright of SHARP. Do not reproduce or cause any third party to reproduce them in any form or by any means, electronic or mechanical, for any purpose, in whole or in part, without the express written permission of SHARP.
- \* In case of using the device for applications such as control and safety equipment for transportation (aircraft, trains, automobiles, etc.), rescue and security equipment and various safety related equipment which require higher reliability and safety, take into consideration that appropriate measures such as fail-safe functions and redundant system design should be taken.
- \* Do not use the device for equipment that requires an extreme level of reliability, such as aerospace applications, telecommunication equipment (trunk lines), nuclear power control equipment and medical or other equipment for life support.
- \* SHARP assumes no responsibility for any damage resulting from the use of the device that does not comply with the instructions and the precautions specified in these specification sheets.
- \* Contact and consult with a SHARP sales representative for any questions about this device.

## 2. Overview

This module is a color active matrix LCD module incorporating amorphous silicon TFT (Thin Film Transistor). It is composed of a color TFT-LCD panel, driver ICs, control circuit, power supply circuit, inverter circuit and back light system etc. Graphics and texts can be displayed on a 1080×RGB×1920 dots panel with 16,777,216 colors by using LVDS (Low Voltage Differential Signaling) to interface, +12V of DC supply voltages.

This module also includes the DC/AC inverter to drive the CCFT. (+24V of DC supply voltage)

And in order to improve the response time of LCD, this module applies the Over Shoot driving (O/S driving) technology for the control circuit. In the O/S driving technology, signals are being applied to the Liquid Crystal according to a pre-fixed process as an image signal of the present frame when a difference is found between image signal of the previous frame and that of the current frame after comparing them.

By using the captioned process, the image signals of this LCD module are being set so that image response can be completed within one frame, as a result, image blur can be improved and clear image performance can be realized.

## 3. Mechanical Specifications

Parameter	Specifications	Unit
Display size	163.9 (Diagonal)	cm
	64.5 (Diagonal)	inch
Active area	803.52 (H) × 1428.48 (V)	mm
Pixel Format	1080 (H) × 1920 (V) (1pixel = R + G + B dot)	pixel
Pixel pitch	0.744(H) × 0.744 (V)	mm
Pixel configuration	R, G, B horizontal stripe	
Display mode	Normally black	
Unit Outline Dimensions (*1)	(907.0 (W) × 1555.3 (H) × 100.0 (D))	mm
Mass	(45.0) +/- 1.0	kg
Surface treatment	Anti glare, low reflection coating Hard coating: 2H	

(\*1) Outline dimensions are shown in Fig.1-1,1-2.

#### 4. Input Terminals

##### 4-1. TFT panel driving

CN1 (Interface signals) (Shown in Fig.1-2)

Using connector : FI-RE41S-HF (Japan Aviation Electronics Ind. , Ltd.)  
 Mating connector : FI-RE41HL,FI-R41H (Japan Aviation Electronics Ind. , Ltd.)  
 Mating LVDS transmitter :THC63LVDM83R(THine) or equivalent device

Pin No.	Symbol	Function	Remark
1	GND	GND	
2	AIN0-	Aport (-)LVDS CH0 differential data input	LVDS
3	AIN0+	Aport (+)LVDS CH0 differential data input	LVDS
4	AIN1-	Aport (-)LVDS CH1 differential data input	LVDS
5	AIN1+	Aport (+)LVDS CH1 differential data input	LVDS
6	AIN2-	Aport (-)LVDS CH2 differential data input	LVDS
7	AIN2+	Aport (+)LVDS CH2 differential data input	LVDS
8	GND	GND	
9	ACK-	Aport LVDS Clock signal(-)	LVDS
10	ACK+	Aport LVDS Clock signal(+)	LVDS
11	AIN3-	Aport (-)LVDS CH3 differential data input	LVDS
12	AIN3+	Aport (+)LVDS CH3 differential data input	LVDS
13	NC	It is required to set non-connection (OPEN)	
14	NC	It is required to set non-connection (OPEN)	
15	GND	GND	
16	BIN0-	Bport (-)LVDS CH0 differential data input	LVDS
17	BIN0+	Bport (+)LVDS CH0 differential data input	LVDS
18	BIN1-	Bport (-)LVDS CH1 differential data input	LVDS
19	BIN1+	Bport (+)LVDS CH1 differential data input	LVDS
20	BIN2-	Bport (-)LVDS CH2 differential data input	LVDS
21	BIN2+	Bport (+)LVDS CH2 differential data input	LVDS
22	GND	GND	
23	BCK-	Bport LVDS Clock signal(-)	LVDS
24	BCK+	Bport LVDS Clock signal(+)	LVDS
25	BIN3-	Bport (-)LVDS CH3 differential data input	LVDS
26	BIN3+	Bport (+)LVDS CH3 differential data input	LVDS
27	NC	It is required to set non-connection (OPEN)	
28	NC	It is required to set non-connection (OPEN)	
29	GND	GND	
30	SELLVDS	Select LVDS data order [Note 1]	10kΩ Pull up :3.3V
31	U/D	Vertical shift direction[Note 2]	10kΩ Pull Down :GND
32	R/L	Horizontal shift direction [Note 2]	10kΩ Pull Down :GND
33	VBRT	Inverter Brightness Control (Analog Voltage:0-3.3V)	[Note 4]
34	Frame1	Frame frequency setting H:60Hz, L:50Hz	10kΩ Pull Down :GND
35	Reserved	It is required to set non-connection (OPEN)	
36	TEMP3	Data3 of panel surface temperature [Note3]	10kΩ Pull Down :GND
37	TEMP2	Data2 of panel surface temperature [Note3]	10kΩ Pull Down :GND
38	TEMP1	Data1 of panel surface temperature [Note3]	10kΩ Pull Down :GND
39	VON	Inverter ON/OFF setting H:ON, L:OFF [Note 4]	10kΩ Pull Down :GND
40	O/Sset	O/S operation setting H:O/S_ON, L:O/S_OFF	10kΩ Pull Down :GND
41	NC	It is required to set non-connection (OPEN)	

[note] GND of a liquid crystal panel drive part has connected with a module chassis.

[note] L,"0": Low level voltage (GND) H,"1": High level voltage(3.3V)

[note]In case of O/S set setting "0"(O/S\_OFF), it should be set the Temp1~3 to "0".

## CN2 (+12V DC power supply Shown in Fig.1-2)

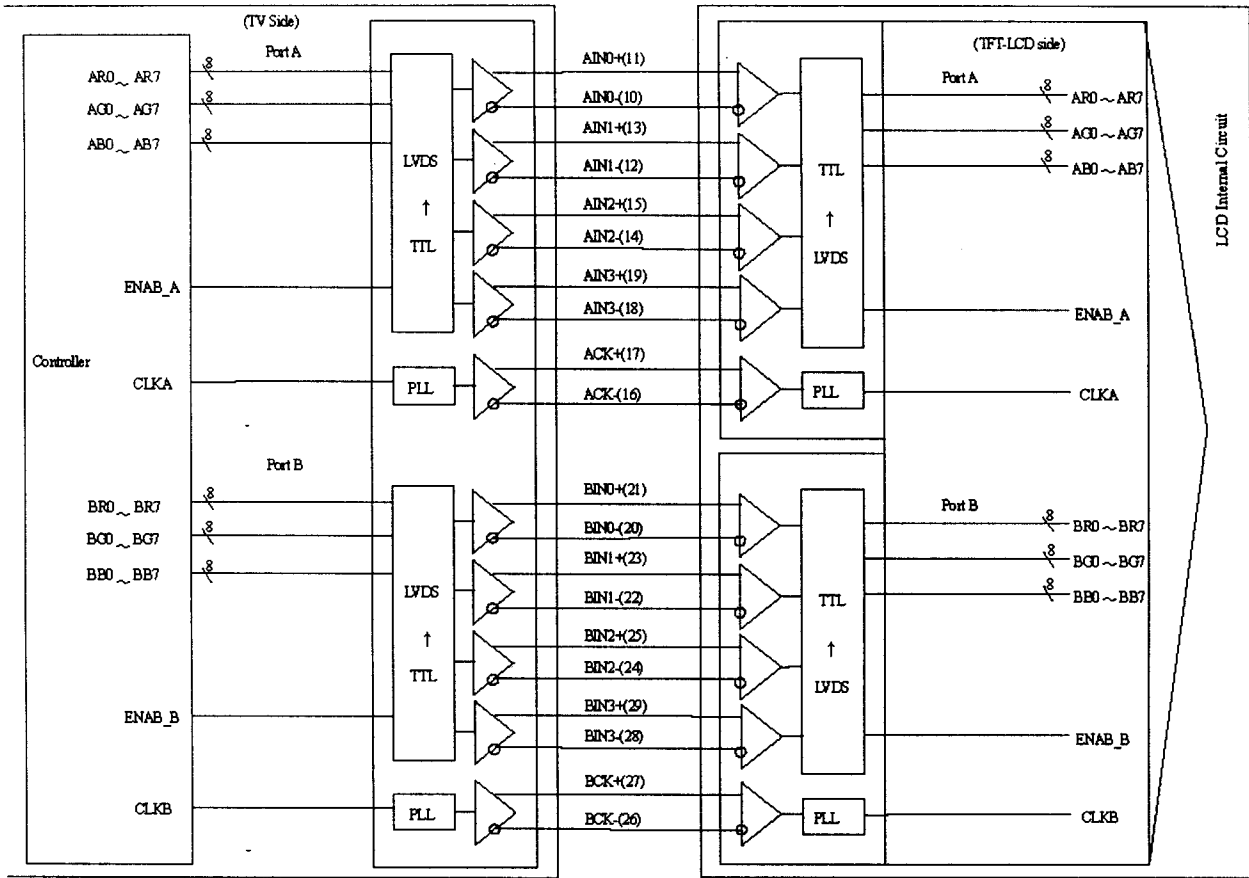
Using connector : SM20B-SHLDS-G-TF(LF) (SN) (J.S.T. Mfg Co.,Ltd.)

Mating connector : SHLDP-20V-S-1 (connector) (J.S.T. Mfg Co.,Ltd.)

: SSSL-003GA1-PO.2 (Terminal) (J.S.T. Mfg Co.,Ltd.)

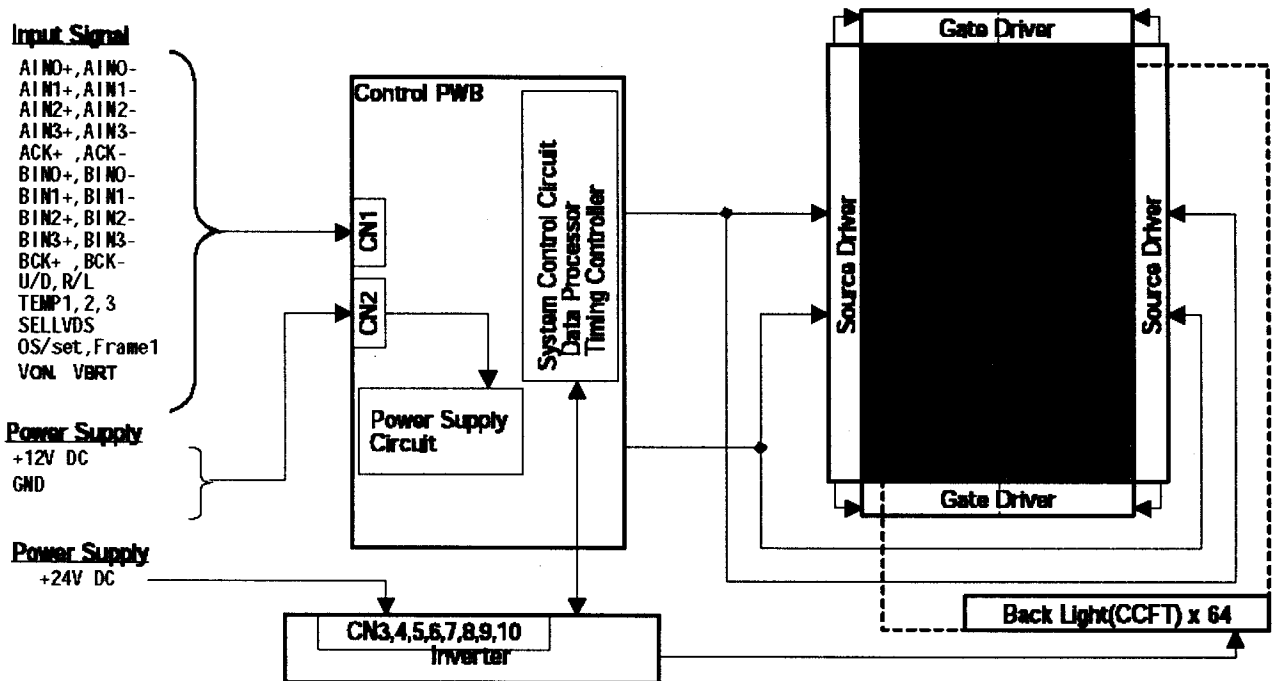
Pin No.	Symbol	Function	Remark
1	VCC	+12V Power Supply	
2	VCC	+12V Power Supply	
3	VCC	+12V Power Supply	
4	VCC	+12V Power Supply	
5	VCC	+12V Power Supply	
6	GND	GND	
7	GND	GND	
8	GND	GND	
9	GND	GND	
10	GND	GND	
11	Reserved	It is required to set non-connection (OPEN)	
12	Reserved	It is required to set non-connection (OPEN)	
13	Reserved	It is required to set non-connection (OPEN)	
14	Reserved	It is required to set non-connection (OPEN)	
15	Reserved	It is required to set non-connection (OPEN)	
16	Reserved	It is required to set non-connection (OPEN)	
17	Reserved	It is required to set non-connection (OPEN)	
18	Reserved	It is required to set non-connection (OPEN)	
19	Reserved	It is required to set non-connection (OPEN)	
20	Reserved	It is required to set non-connection (OPEN)	

• Interface block diagram



Corresponding Transmitter: THC63LVDM83R (Thine) or equivalent device

• Block Diagram (LCD Module)



## [Note 1]SELLVDS

Transmitter		SELLVDS	
Pin No	Data	=L(GND)	=H(3.3V) or Open
51	TA0	R0(LSB)	R2
52	TA1	R1	R3
54	TA2	R2	R4
55	TA3	R3	R5
56	TA4	R4	R6
3	TA5	R5	R7(MSB)
4	TA6	G0(LSB)	G2
6	TB0	G1	G3
7	TB1	G2	G4
11	TB2	G3	G5
12	TB3	G4	G6
14	TB4	G5	G7(MSB)
15	TB5	B0(LSB)	B2
19	TB6	B1	B3
20	TC0	B2	B4
22	TC1	B3	B5
23	TC2	B4	B6
24	TC3	B5	B7(MSB)
27	TC4	NA	NA
28	TC5	NA	NA
30	TC6	DE(*)	DE(*)
50	TD0	R6	R0(LSB)
2	TD1	R7(MSB)	R1
8	TD2	G6	G0(LSB)
10	TD3	G7(MSB)	G1
16	TD4	B6	B0(LSB)
18	TD5	B7(MSB)	B1
25	TD6	NA	NA

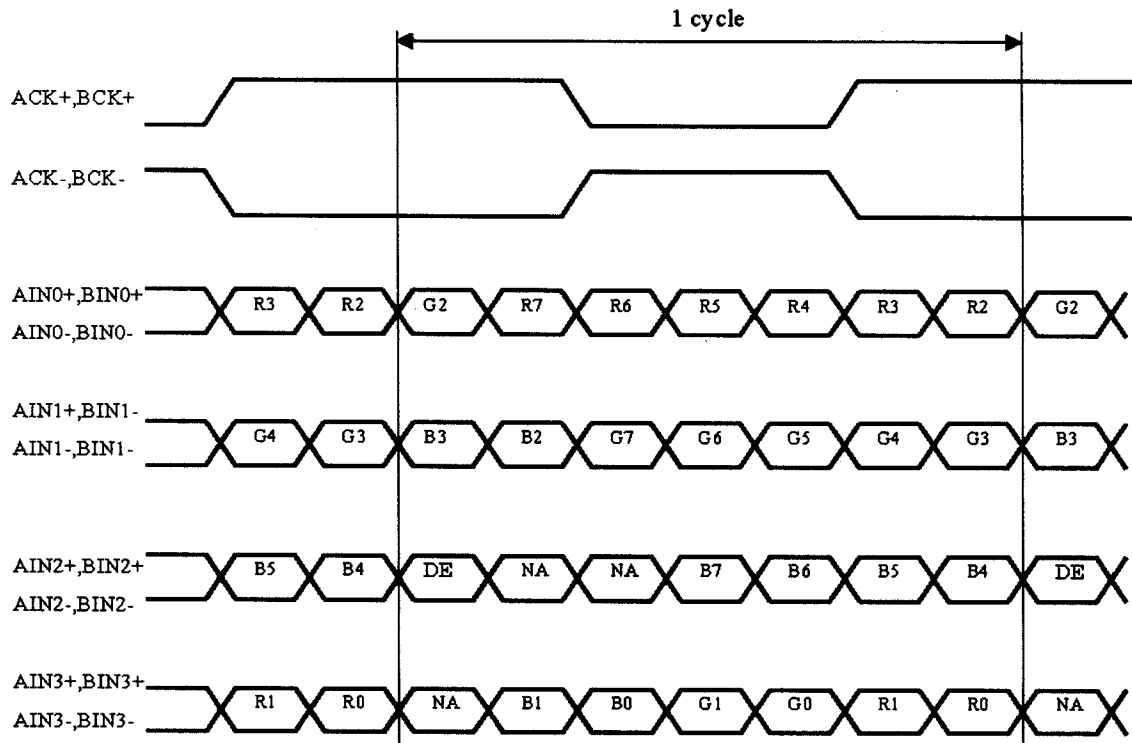
NA: Not Available

DE: Display Enable

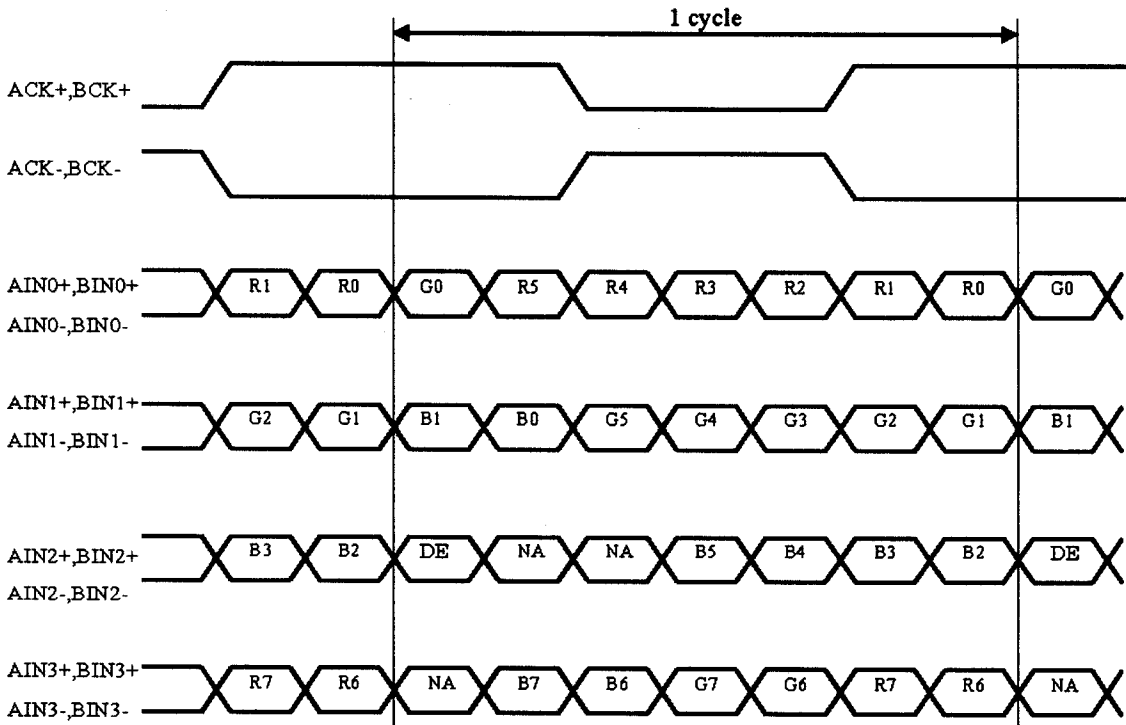
(\*) Since the display position is prescribed by the rise of DE (Display Enable) signal, please do not fix DE signal during operation at "High".



**SELLVDS= High (3.3V) or Open**



**SELLVDS= Low(GND)**



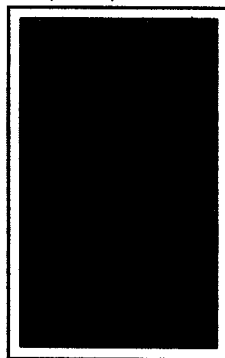
**DE: Display Enable**

**NA: Not Available (Fixed Low)**

[Note 2] Display reversal function

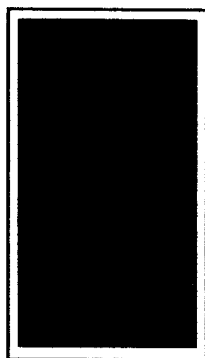
Normal (Default)

R/L : L (GND) U/D: L (GND)



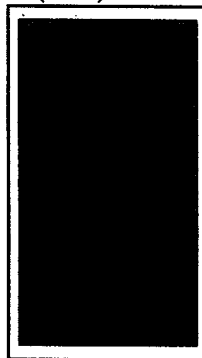
Vertical reverse image

R/L : L (GND) U/D: H (3.3V)



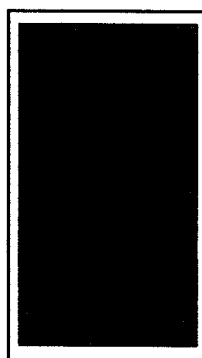
Horizontal reverse image

R/L : H (3.3V) U/D: L (GND)



Horizontal and vertical reverse image

R/L : H(3.3V) U/D: H (3.3V)



[Note 3] O/S Setting

According to the surface temperature of the panel, enter the optimum 3 bit signal into pin No.36,37,38.

Measuring the correlation between detected temperature by the sensor on PWB in users side and actual surface temperature of panel at center, convert the temperature detected by the sensor to the surface temperature of panel to enter the 3 bit temperature data.

Pin no.	Surface temperature of panel							
	0-5°C	5-10°C	10-15°C	15-20°C	20-25°C	25-30°C	30-35°C	35°C and above
36	0	0	0	0	1	1	1	1
37	0	0	1	1	0	0	1	1
38	0	1	0	1	0	1	0	1

\*0: Low level voltage (GND) 1: High level voltage(3.3V)

\*For overlapping temperatures (such as 5°C,10°C,15°C,20°C,25°C, 30°C,35°C) select the optimum parameter, judging from the actual picture image.

[Note 4]

Pin No.	Symbol	Function	Remark
39	V <sub>ON</sub>	Inverter ON/OFF	[Note A]
33	V <sub>BRT</sub>	Brightness Control	[Note B]

\*GND of an inverter board is connected to GND of a module chassis and a liquid crystal panel drive part.

[Note A] Inverter ON/OFF

Input voltage	Function
3.3V	Inverter: ON
0V	Inverter: OFF

**[Note B] Brightness Control**

PWM Brightness Control is regulated by analog input voltage (0V to 3.3V) .

Input voltage	Function
0V	Brightness Control : Dark : (30%)
3.3V	Brightness Control : Bright: (100%)

**4-2. Backlight driving**

CN3, CN4, CN5,CN6,CN7,CN8 (Inverter Power input Pin layout)

Using connector: B10B-PH-K-S(LF)( J.S.T. Mfg Co.,Ltd.)

Mating connector: PHR-10(J.S.T. Mfg Co.,Ltd.)

Pin No.	Symbol	Function
1	V <sub>INV</sub>	24V
2	V <sub>INV</sub>	24V
3	V <sub>INV</sub>	24V
4	V <sub>INV</sub>	24V
5	V <sub>INV</sub>	24V
6	GND	GND
7	GND	GND
8	GND	GND
9	GND	GND
10	GND	GND

\*GND of an inverter board is connected to GND of a module chassis and a liquid crystal panel drive part.

**4-3. The back light system characteristics**

The back light system is direct type with 64 CCFTs (Cold Cathode Fluorescent Tube).

The characteristics of the lamp are shown in the following table.

The value mentioned below is at the case of one CCFT.

Item	Symbol	Min.	Typ.	Max.	Unit	Remarks
Life time	TL	-	(60000)	-	Hour	[Note]

[Note] • Lamp life time is defined as the time when brightness becomes 50% of the original value in the continuous operation under the condition of Ta=25 °C and brightness control(V<sub>BRT</sub>=3.3V).

• Above value is applicable when the short side of LCD module is placed horizontally (Portrait position).

(Lamp lifetime may vary if LCD module is in portrait position due to the change of mercury density inside the lamp.)

**5. Absolute Maximum Ratings**

Parameter	Symbol	Condition	Ratings	Unit	Remark
Input voltage (for Control)	V <sub>I</sub>	Ta=25 °C	-0.3 ~ 3.6	V	[Note 1]
12V supply voltage (for Control)	VCC	Ta=25 °C	0 ~ +14	V	
Input voltage (for Inverter)	V <sub>BRT</sub> V <sub>ON</sub>	Ta=25 °C	0 ~ +6	V	
24V supply voltage (for Inverter)	V <sub>INV</sub>	Ta=25 °C	0 ~ +27	V	
Storage temperature	T <sub>stg</sub>	-	-25 ~ +60	°C	[Note 2]
Operation temperature (Ambient)	T <sub>opa</sub>	-	0 ~ +50	°C	

[Note 1]SELLVDS, R/L,U/D, Frame1,O/S set, Temp1, Temp2, Temp3

[Note 2]Humidity 95%RH Max.(Ta≤40°C)

Maximum wet-bulb temperature at 39 °C or less.(Ta>40 °C) /No condensation.

## 6. Electrical Characteristics

### 6-1. Control circuit driving

 $T_a = 25\text{ }^\circ\text{C}$ 

Parameter	Symbol	Min.	Typ.	Max.	Unit	Remark	
+12V supply voltage	Supply voltage	V <sub>CC</sub>	11.4	12.0	12.6	V	[Note 1]
	Current	I <sub>CC</sub>	-	(1.75)	(2.10)	A	[Note 2]
		I <sub>CCS</sub>	0.3	-	-	A	[Note 7]
Permissible input ripple voltage	V <sub>RP</sub>	-	-	100	mV <sub>P-P</sub>	V <sub>CC</sub> = +12.0V	
Differential input threshold voltage	High	V <sub>TH</sub>	-	-	100	mV	V <sub>CM</sub> = +1.2V [Note 6]
	Low	V <sub>TL</sub>	-100	-	-	mV	
Input Low voltage	V <sub>IL</sub>	-	-	0.8	V	[Note 3]	
Input High voltage	V <sub>IH</sub>	2.0	-	3.3	V		
Input leak current (Low)	I <sub>IL</sub>	-	-	400	μA	V <sub>I</sub> = 0V [Note 4]	
Input leak current (High)	I <sub>IH</sub>	-	-	400	μA	V <sub>I</sub> = 3.3V [Note 5]	
Terminal resistor	R <sub>T</sub>	-	100	-	Ω	Differential input	

[Note] V<sub>CM</sub>: Common mode voltage of LVDS driver.

[Note 1]

#### Input voltage sequences

$$0 < t_1 \leq 20\text{ms}$$

$$0 < t_2 \leq 20\text{ms}$$

$$0 < t_3 \leq 1\text{s}$$

$$0 < t_4 \leq 1\text{s}$$

$$t_5 \geq 1\text{s}$$

$$t_6 \geq 0$$

$$t_7 \geq 1\text{s}$$

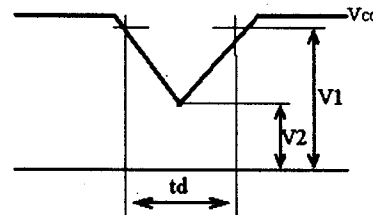
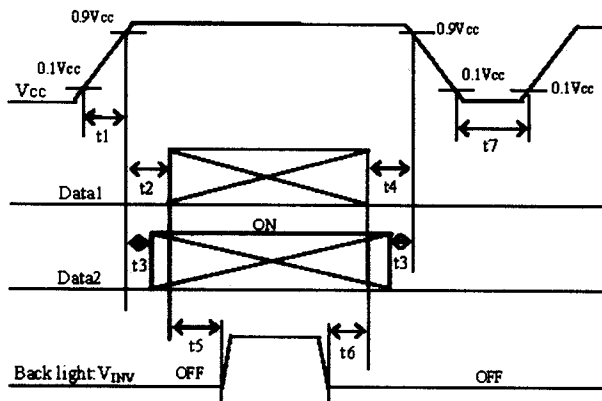
#### Dip conditions for supply voltage

$$\text{a) } 6.5\text{V} \leq V_{CC} < 10.8\text{V}$$

$$t_d \leq 10\text{ms}$$

$$\text{b) } V_{CC} < 6.5\text{V}$$

Dip conditions for supply voltage is based on input voltage sequence.



V1:10.8V  
V2:6.5V

※ Data1: ACK $\pm$ , AIN0 $\pm$ , AIN1 $\pm$ , AIN2 $\pm$ , AIN3 $\pm$ , BCK $\pm$ , BIN0 $\pm$ , BIN1 $\pm$ , BIN2 $\pm$ , BIN3 $\pm$

※ Data2: U/D, R/L, SEL LVDS, Frame1, O/Sset, Temp1, 2, 3

About the relation between data input and back light lighting, please base on the above-mentioned input sequence.

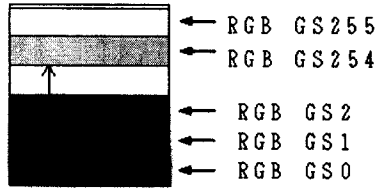
When back light is switched on before panel operation or after a panel operation stop, it may not display normally.

But this phenomenon is not based on change of an incoming signal, and does not give damage to a liquid crystal display.

[Note 2] Maximum current situation: white (RGB GS255)

Typical current situation: 256 gray-bar pattern ( $V_{cc} = +12.0V$ )

The explanation of RGB gray scale is seen in section 8.



$V_{cc} = 12.0V$

$CK = 74.25MHz$

$TT = 14.8\mu s$

[Note 3] U/D,R/L, SELLVDS, Frame1,O/S set, Temp1, Temp2, Temp3

[Note 4] SELLVDS

[Note 5] U/D,R/L, Frame1,O/S set, Temp1, Temp2, Temp3

[Note 6]  $ACK \pm, AIN0 \pm, AIN1 \pm, AIN2 \pm, AIN3 \pm, BCK \pm, BIN0 \pm, BIN1 \pm, BIN2 \pm, BIN3 \pm$

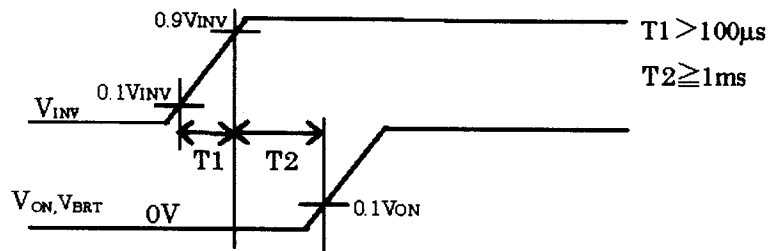
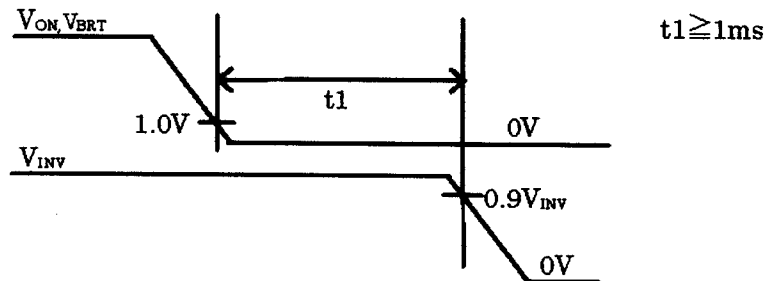
[Note 7] The minimum current value is a value when inputting only voltage ( $V_{cc} = +12V$ ) and cutting an incoming signal (CK,ENAB,DATA).

## 6-2. Inverter driving for back light

The back light system is direct type with 36 CCFTs (Cold Cathode Fluorescent Tube).

 $T_a=25^{\circ}\text{C}$ 

Parameter	Symbol	Min.	Typ.	Max.	Unit	Remark
+24V Current dissipation	$I_{INV1}$	-	(25)	(TBD)	A	$V_{INV} = 24\text{V}$ $V_{BRT} = 3.3\text{V}$ $V_{ON} = 3.3\text{V}$ [Note 1,3]
	$I_{INV2}$	-	(20)	(TBD)	A	
Supply voltage	$V_{INV}$	23.0	24.0	25.0	V	
Permissible input ripple voltage	$V_{RF}$	-	-	200	$\text{mV}_{p-p}$	$V_{INV} = +24\text{V}$
Input voltage (Low)	$V_{ONL}$	0	-	1.0	V	$V_{on}$ [Note 1] impedance=(3.5k $\Omega$ )
Input voltage (High)	$V_{ONH}$	3.0	-	5.0	V	
Brightness control voltage vs Brightness level (Reference value)	-	0	→	3.3	V	impedance=(45k $\Omega$ ) [Note 2]
		(TBD)	→	100	%	

[Note 1] 1)  $V_{INV}$ -turn-on condition2)  $V_{INV}$ -turn-off condition[Note 2]  $V_{BRT}$ 

[Note 3] Current dissipation 1 : The regulation value within 120 minutes after the turning on.

(\*It doesn't include Rush current.)

Current dissipation 2 : The regulation value since then of 120 minutes after the turning on.

[Note] The inverter unit is driving at the following drive frequency.

\*The lamp drive frequency: TBDkHz +/- TBDkHz

\*The burst Brightness control drive frequency: TBDHz +/- TBD Hz

The above drive frequency and the module drive frequency are cause and there is possibility that the backlight display problem occurs. When setting the drive frequency of the module, the interference with the above frequency make not occur.

## 7. Timing characteristics of input signals

### 7-1. Timing characteristics

This LCD module is designed to be used in portrait position other than input signal.

The definition of Input signal is based on landscape position. Therefore, please ensure to take it into account in designing your set.

Timing diagrams of input signal are shown in Fig.2.

60Hz-mode

Parameter	Symbol	Min.	Typ.	Max.	Unit	Remark
Clock	Frequency	55	74.25	80	MHz	
Data enable signal	Horizontal period	984	1100	1650	clock	
		14.8	14.8	-	$\mu$ s	
	Horizontal period (High)	960	960	960	clock	
	Horizontal period(Low)	1.80	1.87	-	$\mu$ s	
	Vertical period	TY	1086	1125	1350	line
Vertical period (High)	TYd	1080	1080	1080	line	

[Note] When vertical period is very long, flicker and etc. may occur.

Please turn off the module after it shows the black screen.

Please make sure that length of vertical period should become of an integral multiple of horizontal length of period. Otherwise, the screen may not display properly.

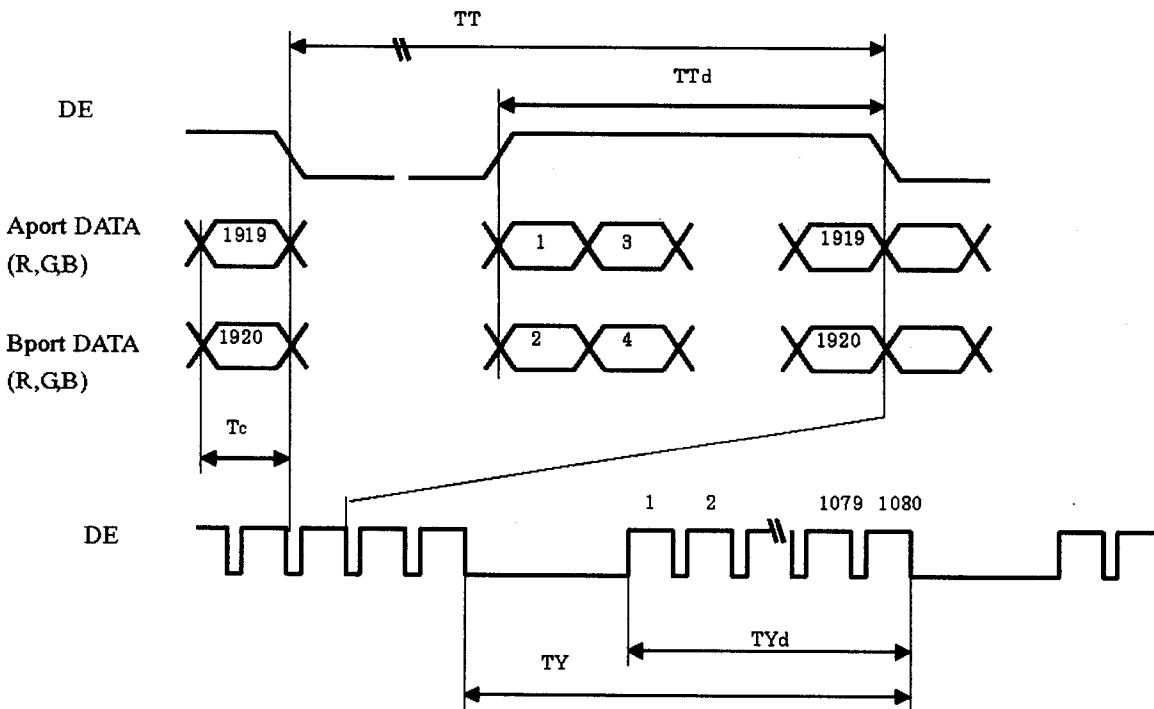
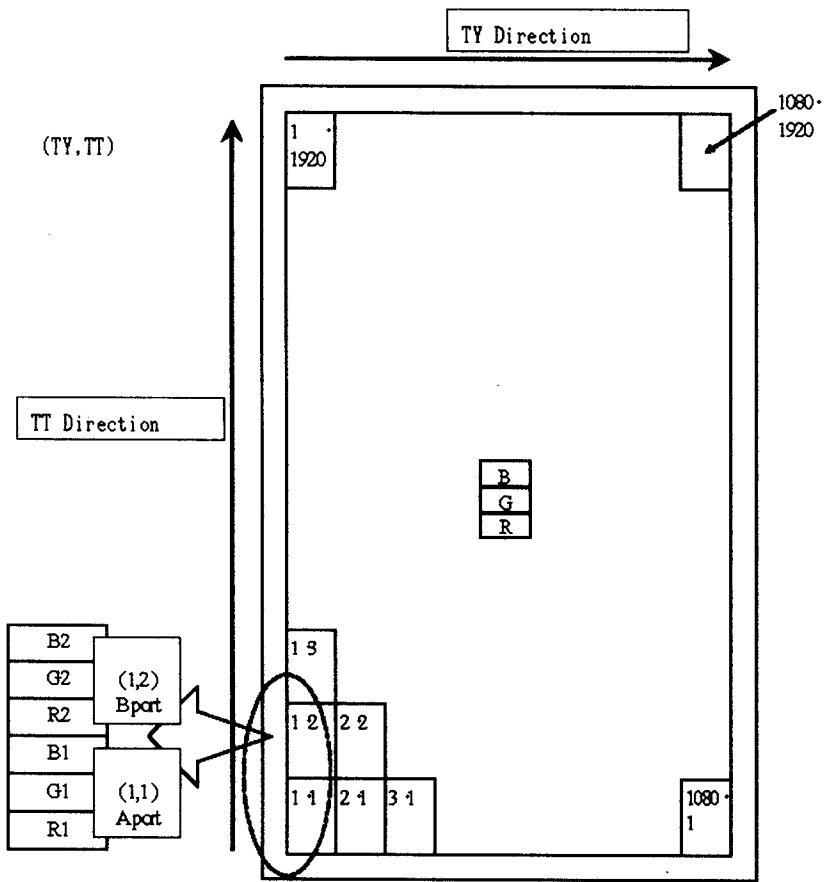


Fig.2 Timing characteristics of input signals

7-2. Input data signal and display position on the screen



Display Position on the screen v.s. Input data signal position on the screen.



## 8. Input Signal, Basic Display Colors and Gray Scale of Each Color

Colors & Gray scale	Data signal																												
	Gray Scale	R0	R1	R2	R3	R4	R5	R6	R7	G0	G1	G2	G3	G4	G5	G6	G7	B0	B1	B2	B3	B4	B5	B6	B7				
Basic Color	Black	—	0	0	0	0	0	0	0	0	0	0	0	0	0	0	0	0	0	0	0	0	0	0	0	0	0	0	
	Blue	—	0	0	0	0	0	0	0	0	0	0	0	0	0	0	0	0	1	1	1	1	1	1	1	1	1	1	1
	Green	—	0	0	0	0	0	0	0	0	1	1	1	1	1	1	1	1	0	0	0	0	0	0	0	0	0	0	0
	Cyan	—	0	0	0	0	0	0	0	0	1	1	1	1	1	1	1	1	1	1	1	1	1	1	1	1	1	1	1
	Red	—	1	1	1	1	1	1	1	1	0	0	0	0	0	0	0	0	0	0	0	0	0	0	0	0	0	0	0
	Magenta	—	1	1	1	1	1	1	1	1	0	0	0	0	0	0	0	0	1	1	1	1	1	1	1	1	1	1	1
	Yellow	—	1	1	1	1	1	1	1	1	1	1	1	1	1	1	1	1	0	0	0	0	0	0	0	0	0	0	0
	White	—	1	1	1	1	1	1	1	1	1	1	1	1	1	1	1	1	1	1	1	1	1	1	1	1	1	1	1
Gray Scale of Red	Black	GS0	0	0	0	0	0	0	0	0	0	0	0	0	0	0	0	0	0	0	0	0	0	0	0	0	0	0	
	↑	GS1	1	0	0	0	0	0	0	0	0	0	0	0	0	0	0	0	0	0	0	0	0	0	0	0	0	0	
	Darker	GS2	0	1	0	0	0	0	0	0	0	0	0	0	0	0	0	0	0	0	0	0	0	0	0	0	0	0	
	↑	↓					↓							↓												↓			
	↓	↓					↓							↓												↓			
	Brighter	GS253	1	0	1	1	1	1	1	1	0	0	0	0	0	0	0	0	0	0	0	0	0	0	0	0	0	0	
	↓	GS254	0	1	1	1	1	1	1	1	0	0	0	0	0	0	0	0	0	0	0	0	0	0	0	0	0	0	
	Red	GS255	1	1	1	1	1	1	1	1	0	0	0	0	0	0	0	0	0	0	0	0	0	0	0	0	0	0	
Gray Scale of Green	Black	GS0	0	0	0	0	0	0	0	0	0	0	0	0	0	0	0	0	0	0	0	0	0	0	0	0	0	0	
	↑	GS1	0	0	0	0	0	0	0	0	1	0	0	0	0	0	0	0	0	0	0	0	0	0	0	0	0	0	
	Darker	GS2	0	0	0	0	0	0	0	0	0	1	0	0	0	0	0	0	0	0	0	0	0	0	0	0	0	0	
	↑	↓					↓							↓												↓			
	↓	↓					↓							↓												↓			
	Brighter	GS253	0	0	0	0	0	0	0	0	1	0	1	1	1	1	1	1	0	0	0	0	0	0	0	0	0	0	
	↓	GS254	0	0	0	0	0	0	0	0	0	1	1	1	1	1	1	1	0	0	0	0	0	0	0	0	0	0	
	Green	GS255	0	0	0	0	0	0	0	0	1	1	1	1	1	1	1	1	0	0	0	0	0	0	0	0	0	0	
Gray Scale of Blue	Black	GS0	0	0	0	0	0	0	0	0	0	0	0	0	0	0	0	0	0	0	0	0	0	0	0	0	0	0	
	↑	GS1	0	0	0	0	0	0	0	0	0	0	0	0	0	0	0	0	1	0	0	0	0	0	0	0	0	0	
	Darker	GS2	0	0	0	0	0	0	0	0	0	0	0	0	0	0	0	0	0	1	0	0	0	0	0	0	0	0	
	↑	↓					↓							↓												↓			
	↓	↓					↓							↓												↓			
	Brighter	GS253	0	0	0	0	0	0	0	0	0	0	0	0	0	0	0	0	1	0	1	1	1	1	1	1	1	1	
	↓	GS254	0	0	0	0	0	0	0	0	0	0	0	0	0	0	0	0	0	1	1	1	1	1	1	1	1	1	
	Blue	GS255	0	0	0	0	0	0	0	0	0	0	0	0	0	0	0	0	1	1	1	1	1	1	1	1	1	1	

0 : Low level voltage, 1 : High level voltage.

Each basic color can be displayed in 256 gray scales from 8 bit data signals. According to the combination of total 24 bit data signals, the 16-million-color display can be achieved on the screen.

### 9. Optical characteristics

$T_a=25^{\circ}\text{C}$ ,  $V_{cc} = 12.0\text{V}$ ,  $V_{INV} = 24.0\text{V}$ , 60Hz-mode

Parameter	Symbol	Condition	Min.	Typ.	Max.	Unit	Remark	
Viewing angle range	Horizontal	$\theta_{21}$ $\theta_{22}$	80	85	-	Deg.	[Note1,4]	
	Vertical	$\theta_{11}$ $\theta_{12}$						80
Contrast ratio		CRn	450	(700)	-			
Response time		$\tau_{r1}$ $\tau_{d1}$		(6)		ms		[Note3,4,5] $V_{BRT}=3.3\text{V}$
Luminance of white	x	$\theta = 0 \text{ deg.}$	(0.261)	(0.291)	(0.321)	-	[Note 4] $V_{BRT}=3.3\text{V}$	
	y		(0.270)	(0.300)	(0.330)	-		
Luminance of red	x		(0.627)	(0.657)	(0.687)	-		
	y		(0.294)	(0.324)	(0.354)	-		
Luminance of green	x		(0.243)	(0.273)	(0.303)	-		
	y		(0.583)	(0.613)	(0.643)	-		
Luminance of blue	x		(0.111)	(0.141)	(0.171)	-		
	y		(0.049)	(0.079)	(0.109)	-		
Luminance of white	$Y_{Li}$		(320)	(400)		$\text{cd/m}^2$	$V_{BRT}=3.3\text{V}$ [Note 4]	
Luminance uniformity	$\delta_w$		-	-	1.25		[Note 6]	

Measurement condition : Set the value of  $V_{BRT}$  to maximum luminance of white.

\*The measurement shall be executed 120 minutes after lighting at rating.

[Note] The optical characteristics are measured using the following equipment.

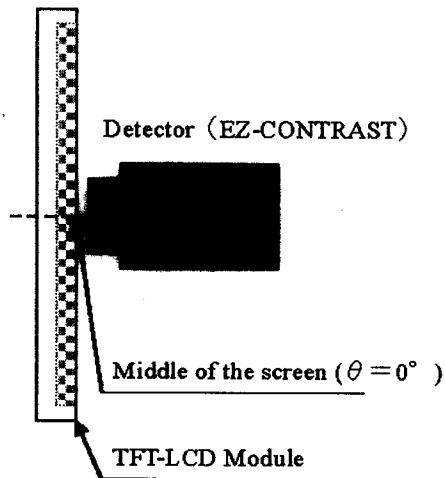


Fig.4-1 Measurement of viewing angle range.

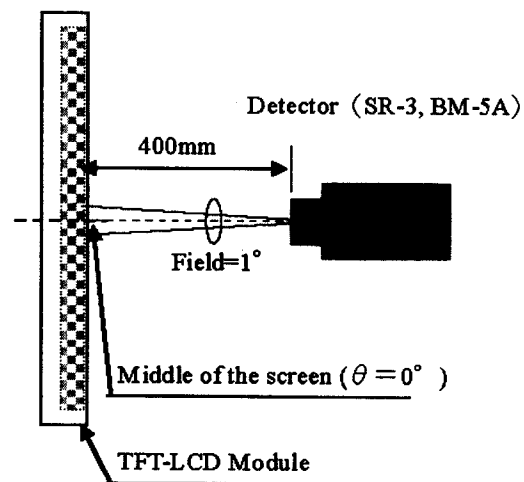
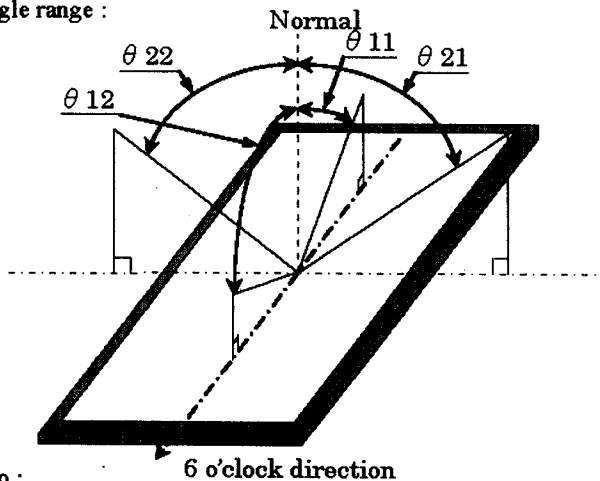


Fig.4-2 Measurement of Contrast, Luminance, Chromaticity and Response time.  
(Contrast, Luminance and Chromaticity: SR-3, Response time: BM-5A).

[Note 1]Definitions of viewing angle range :



[Note 2]Definition of contrast ratio :

The contrast ratio is defined as the following.

$$\text{Contrast Ratio} = \frac{\text{Luminance (brightness) with all pixels white}}{\text{Luminance (brightness) with all pixels black}}$$

[Note 3]Definition of response time

3-1. Response time

The response time ( $\tau d1$  and  $\tau r1$ ) is defined as the following figure and shall be measured by switching the input signal for “five luminance ratio(0%, 25%, 50%, 75%, 100%)” and “five luminance ratio(0%, 25%, 50%, 75%, 100%)”.

	0%	25%	50%	75%	100%
0%		tr:0%-25%	tr:0%-50%	tr:0%-75%	tr:0%-100%
25%	td:25%-0%		tr:25%-50%	tr:25%-75%	tr:25%-100%
50%	td:50%-0%	td:50%-25%		tr:50%-75%	tr:50%-100%
75%	td:75%-0%	td:75%-25%	td:75%-50%		tr:75%-100%
100%	td:100%-0%	td:100%-25%	td:100%-50%	td:100%-75%	

t\*:x-y...response time from level of gray(x) to level of gray(y)

$$\tau r1 = \Sigma(tr:x-y)/10, \tau d1 = \Sigma(td:x-y)/10$$

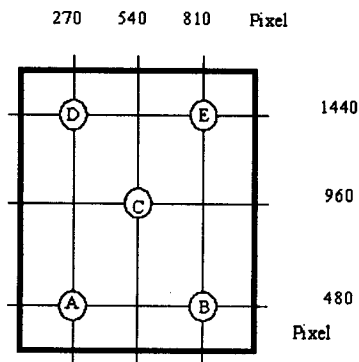
[Note 4]This shall be measured at center of the screen.

[Note 5] Response time is the value when O/S driving is used at typical input time value .

[Note 6]Definition of white uniformity ;

White uniformity is defined as the following with five measurements. (A~E)

$$\delta w = \frac{\text{Maximum luminance of five points (brightness)}}{\text{Minimum luminance of five points (brightness)}}$$



### 10. Handling Precautions of the module

- a) Be sure to turn off the power supply when inserting or disconnecting the cable.
- b) This product is using the parts (inverter, CCFT etc), which generate the high voltage. Therefore, during operating, please don't touch these parts.
- c) Brightness control voltage is switched for "ON" and "OFF", as shown in Fig.4. Voltage difference generated by this switching,  $\Delta V_{INV}$ , may affect a sound output, etc. when the power supply is shared between the inverter and its surrounding circuit. So, separate the power supply of the inverter circuit with the one of its surrounding circuit.

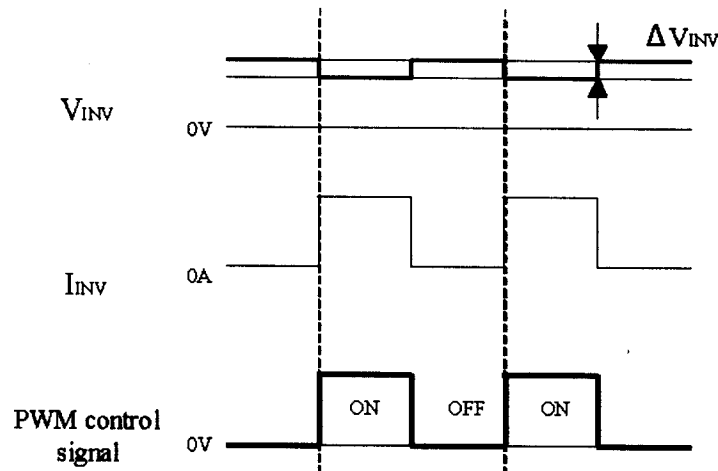


Fig.4 Brightness control voltage.

- \*Since inverter board's GND is not connected to the frame of the LCD module, please connect it with the Customer's GND of inverter power supply.
- d) Be sure to design the cabinet so that the module can be installed without any extra stress such as warp or twist.
  - e) Since the front polarizer is easily damaged, pay attention not to scratch it.
  - f) Since long contact with water may cause discoloration or spots, wipe off water drop immediately.
  - g) When the panel surface is soiled, wipe it with absorbent cotton or other soft cloth.
  - h) Since the panel is made of glass, it may break or crack if dropped or bumped on hard surface. Handle with care.
  - i) Since CMOS LSI is used in this module, take care of static electricity and take the human earth into consideration when handling.
  - j) The module has some printed circuit boards (PCBs) on the back side, take care to keep them form any stress or pressure when handling or installing the module; otherwise some of electronic parts on the PCBs may be damaged.
  - k) Observe all other precautionary requirements in handling components.
  - l) When some pressure is added onto the module from rear side constantly, it causes display non-uniformity issue, functional defect, etc.. So, please avoid such design.
  - m) When giving a touch to the panel at power on supply, it may cause some kinds of degradation. In that case, once turn off the power supply, and turn on after several seconds again, and that is disappear.
  - n) When handling LCD modules and assembling them into cabinets, please be noted that long-term storage in the environment of oxidization or deoxidization gas and the use of such materials as reagent, solvent, adhesive, resin, etc. which generate these gasses, may cause corrosion and discoloration of the LCD modules.

- o) Lamps of the backlight are placed horizontally to the short side of LCD module. So make sure that the LCD module are placed horizontally (Portrait position), as lifetime of backlight becomes shorter if placed at atilt.
- p) Make sure that the LCD module is operated within specified temperature and humidity.Measures against dust, water, vibration, and heat radiation, etc. are required at the cabinet or equipment side.And image retention may occur if same fixed pattern is displayed for a long time. In some cases, it may notdisappear.

Please consider the design and operating environment

## 12. Packing form

- Piling number of cartons: (TBD) maximum
- Packing quantity in one carton: (TBD) pcs.
- Carton size: (TBD) (W) × (TBD) (D) × (TBD) (H)
- Total mass of one carton filled with full modules: (TBD)kg(Max)
- Packing Form are shown in Fig x. (TBD)

## 13. Reliability test item

No.	Test item	Condition
1	High temperature storage test	Ta=60°C 240h
2	Low temperature storage test	Ta=-25°C 240h
3	High temperature and high humidity operation test	Ta=40°C ; 95%RH 240h (No condensation)
4	High temperature operation test	Ta=50°C 240h
5	Low temperature operation test	Ta=0°C 240h
6	Vibration test (non-operation)	Frequency: 10~57Hz/Vibration width (one side): 0.075mm : 58~500Hz/Acceleration: 9.8 m/s <sup>2</sup> Sweep time: 11 minutes Test period: 3 hours (1h for each direction of X, Y, Z)
7	Shock test (non-operation)	Maximum acceleration: 490m/s <sup>4</sup> Pulse width: 11ms, sinusoidal half wave Direction: +/-X, +/-Y, +/-Z, once for each direction.
8	ESD	At the following conditions, it is a thing without incorrect operation and destruction. (1)Non-operation: Contact electric discharge +/-10kV Non-contact electric discharge +/-20kV (2)Operation Contact electric discharge +/-8kV Non-contact electric discharge +/-15kV Conditions: 150pF, 330ohm

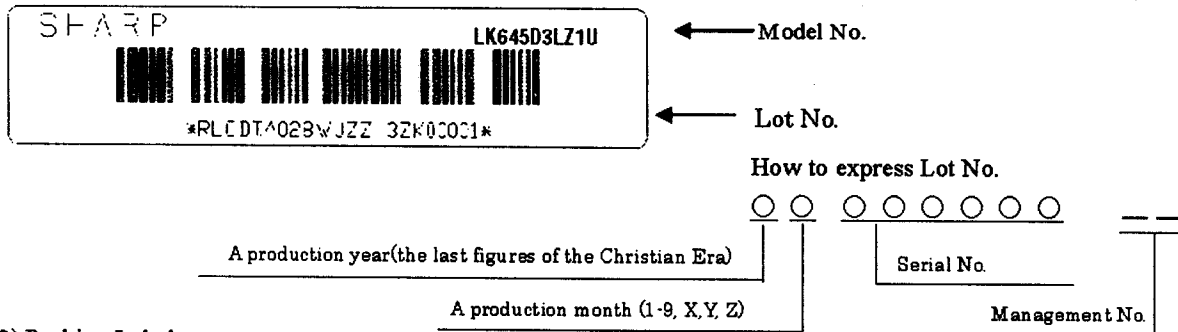
[Result evaluation criteria]

Under the display quality test condition with normal operation state, there shall be no change, which may affect practical display function.

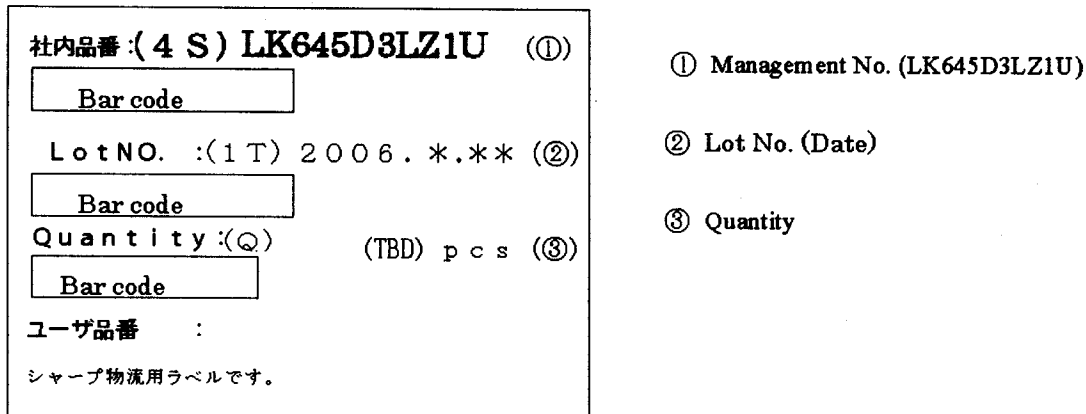
14. Others

1) Lot No. Label;

The label that displays SHARP, product model (LK645D3LZ1U), a product number is stuck on the back of the module.



2) Packing Label



3) Adjusting volume have been set optimally before shipment, so do not change any adjusted value.

If adjusted value is changed, the specification may not be satisfied.

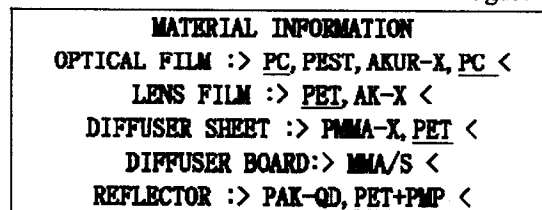
4) Disassembling the module can cause permanent damage and should be strictly avoided.

5) Please be careful since image retention may occur when a fixed pattern is displayed for a long time.

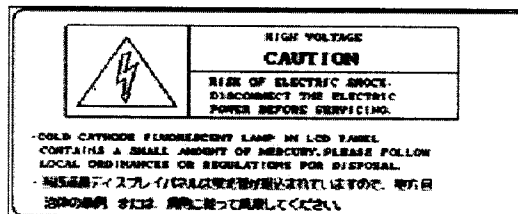
6) The chemical compound, which causes the destruction of ozone layer, is not being used.

7) Label of material information

The optical part material has been described to the module as shown in the figure below.



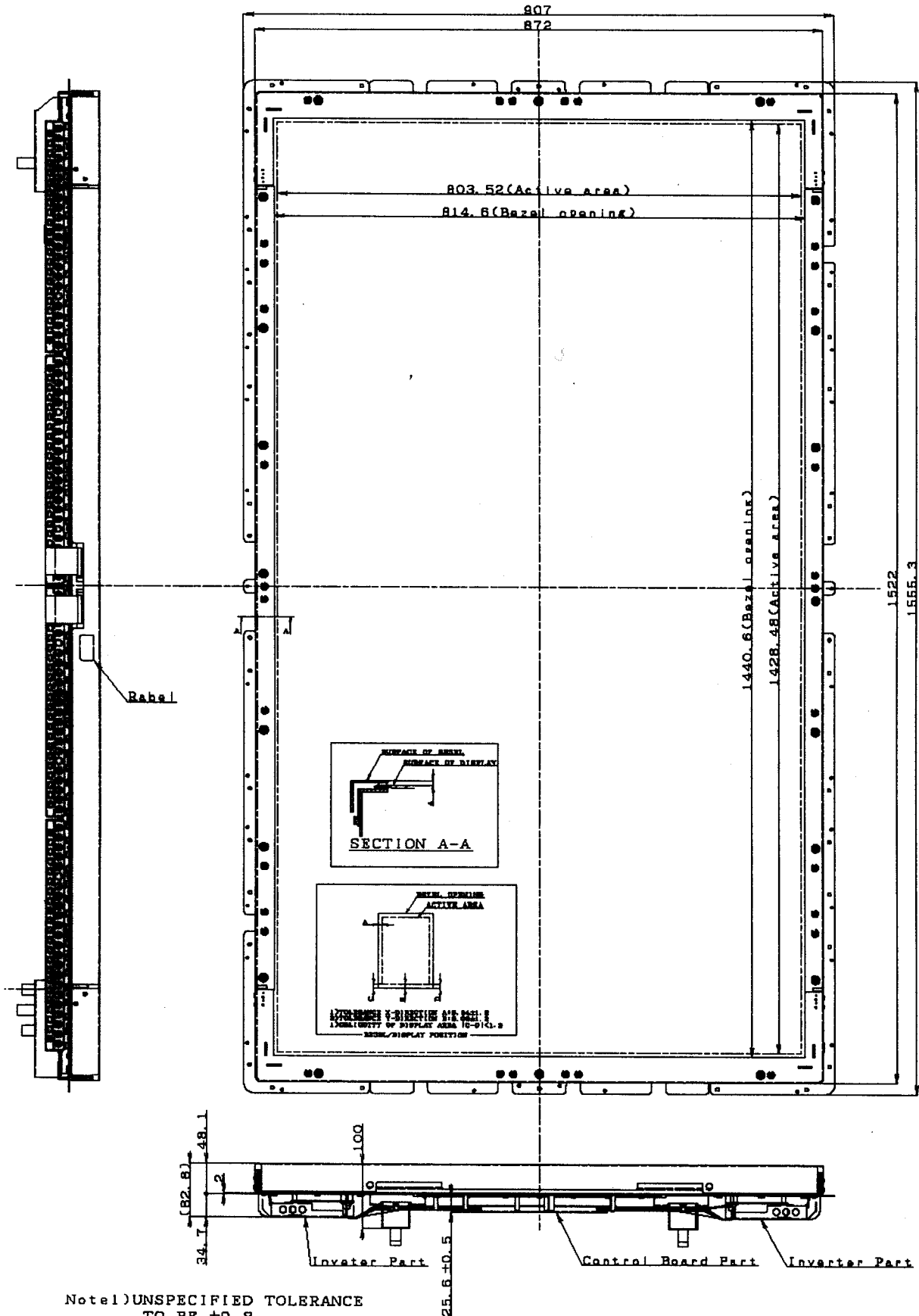
8) Cold cathode fluorescent lamp in LCD PANEL contains a small amount of mercury. Please follow local ordinances or regulations for disposal. The below figure shows the label.



9) When any question or issue occurs, it shall be solved by mutual discussion.

**15. Carton storage condition**

Temperature	0°C to 40°C
Humidity	95%RH or less
Reference condition	: 20°C to 35°C , 85%RH or less (summer) : 5°C to 15°C , 85%RH or less (winter) • the total storage time (40°C,95%RH) : 240h or less
Sunlight	Be sure to shelter a product from the direct sunlight.
Atmosphere	Harmful gas, such as acid and alkali which bites electronic components and/or wires must not be detected.
Notes	Be sure to put cartons on palette or base, don't put it on floor, and store them with removing from wall Please take care of ventilation in storehouse and around cartons, and control changing temperature is within limits of natural environment
Storage life	1 year



Note 1) UNSPECIFIED TOLERANCE TO BE ±0.8.

Fig.1-1 Outline Dimensions (1/2)



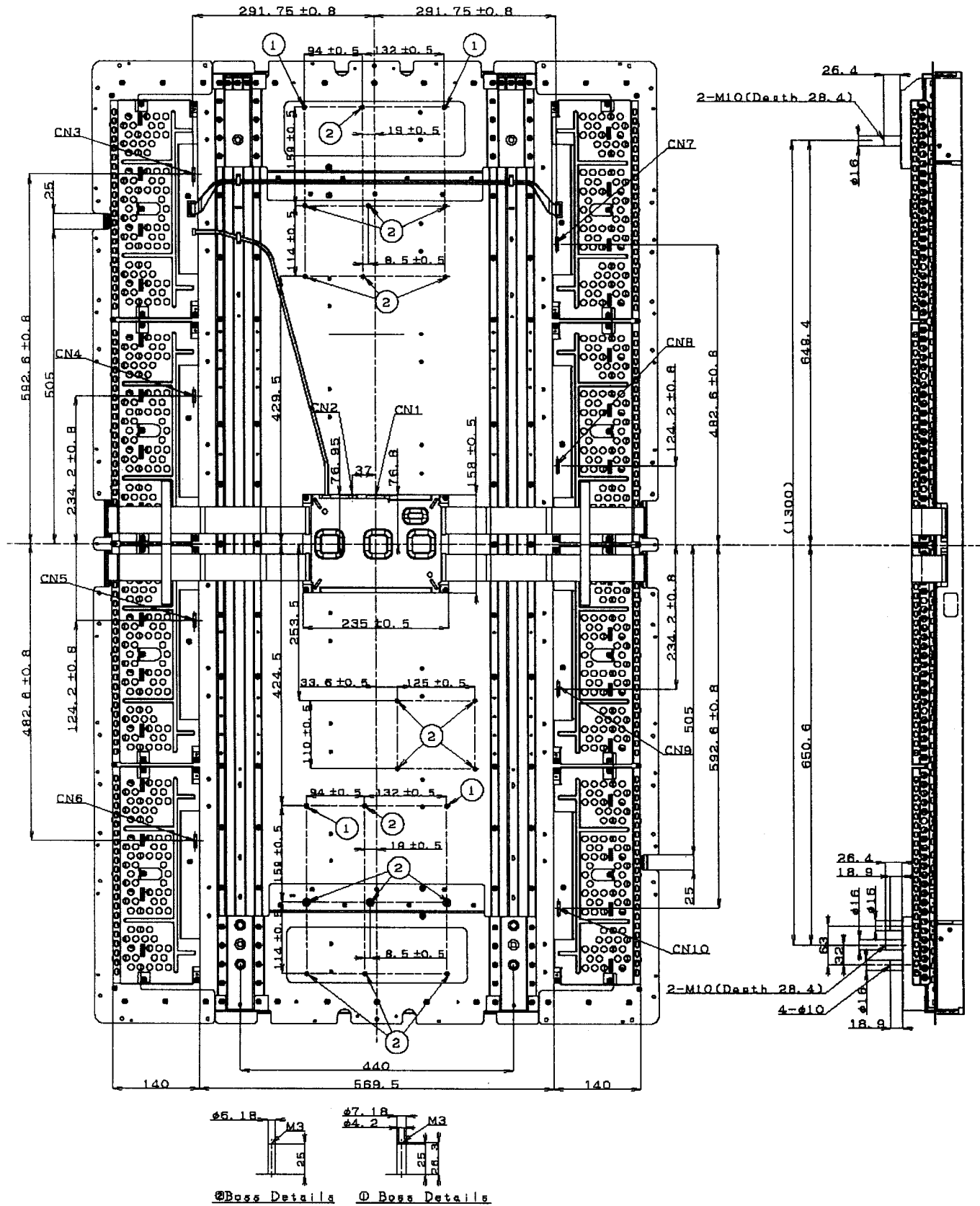


Fig. 1-2 Outline Dimensions (2/2)

**SPECIFICATIONS ARE SUBJECT TO CHANGE WITHOUT NOTICE.**

Suggested applications (if any) are for standard use; See Important Restrictions for limitations on special applications. See Limited Warranty for SHARP's product warranty. The Limited Warranty is in lieu, and exclusive of, all other warranties, express or implied. ALL EXPRESS AND IMPLIED WARRANTIES, INCLUDING THE WARRANTIES OF MERCHANTABILITY, FITNESS FOR USE AND FITNESS FOR A PARTICULAR PURPOSE, ARE SPECIFICALLY EXCLUDED. In no event will SHARP be liable, or in any way responsible, for any incidental or consequential economic or property damage.

---

# SHARP®

## **NORTH AMERICA**

---

SHARP Microelectronics of the Americas  
5700 NW Pacific Rim Blvd.  
Camas, WA 98607, U.S.A.  
Phone: (1) 360-834-2500  
Fax: (1) 360-834-8903  
Fast Info: (1) 800-833-9437  
www.sharpsma.com

## **EUROPE**

---

SHARP Microelectronics Europe  
Division of Sharp Electronics (Europe) GmbH  
Sonninstrasse 3  
20097 Hamburg, Germany  
Phone: (49) 40-2376-2286  
Fax: (49) 40-2376-2232  
www.sharpsme.com

## **JAPAN**

---

SHARP Corporation  
Electronic Components & Devices  
22-22 Nagaike-cho, Abeno-Ku  
Osaka 545-8522, Japan  
Phone: (81) 6-6621-1221  
Fax: (81) 6117-725300/6117-725301  
www.sharp-world.com

## **TAIWAN**

---

SHARP Electronic Components  
(Taiwan) Corporation  
8F-A, No. 16, Sec. 4, Nanking E. Rd.  
Taipei, Taiwan, Republic of China  
Phone: (886) 2-2577-7341  
Fax: (886) 2-2577-7326/2-2577-7328

## **SINGAPORE**

---

SHARP Electronics (Singapore) PTE., Ltd.  
438A, Alexandra Road, #05-01/02  
Alexandra Technopark,  
Singapore 119967  
Phone: (65) 271-3566  
Fax: (65) 271-3855

## **KOREA**

---

SHARP Electronic Components  
(Korea) Corporation  
RM 501 Geosung B/D, 541  
Dohwa-dong, Mapo-ku  
Seoul 121-701, Korea  
Phone: (82) 2-711-5813 ~ 8  
Fax: (82) 2-711-5819

## **CHINA**

---

SHARP Microelectronics of China  
(Shanghai) Co., Ltd.  
28 Xin Jin Qiao Road King Tower 16F  
Pudong Shanghai, 201206 P.R. China  
Phone: (86) 21-5854-7710/21-5834-6056  
Fax: (86) 21-5854-4340/21-5834-6057

### **Head Office:**

No. 360, Bashen Road,  
Xin Development Bldg. 22  
Waigaoqiao Free Trade Zone Shanghai  
200131 P.R. China  
Email: smc@china.global.sharp.co.jp

## **HONG KONG**

---

SHARP-ROXY (Hong Kong) Ltd.  
3rd Business Division,  
17/F, Admiralty Centre, Tower 1  
18 Harcourt Road, Hong Kong  
Phone: (852) 28229311  
Fax: (852) 28660779  
www.sharp.com.hk

### **Shenzhen Representative Office:**

Room 13B1, Tower C,  
Electronics Science & Technology Building  
Shen Nan Zhong Road  
Shenzhen, P.R. China  
Phone: (86) 755-3273731  
Fax: (86) 755-3273735