

FEATURES AND SPECIFICATIONS

Features and Benefits

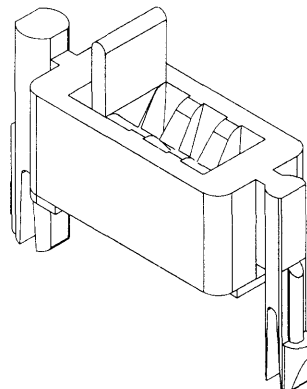
- Sizes 4 to 21 circuits
- For topcoated or solid wire ribbon cable
- Wire range: 26 AWG
- Insulation diameter: 1.20mm max.
- Strip length: 6.00mm
- Polarized for correct insertion to PCB, optional polarization for cable leading (pin 1 to pin 1)

Electrical
Voltage: 250V
Current: 2.5A

Physical
Housing: Glass-filled polyester, UL 94V-0
Operating Temperature: -40 to +85°C

molex® 2.00mm (.079") Pitch Cable Holder

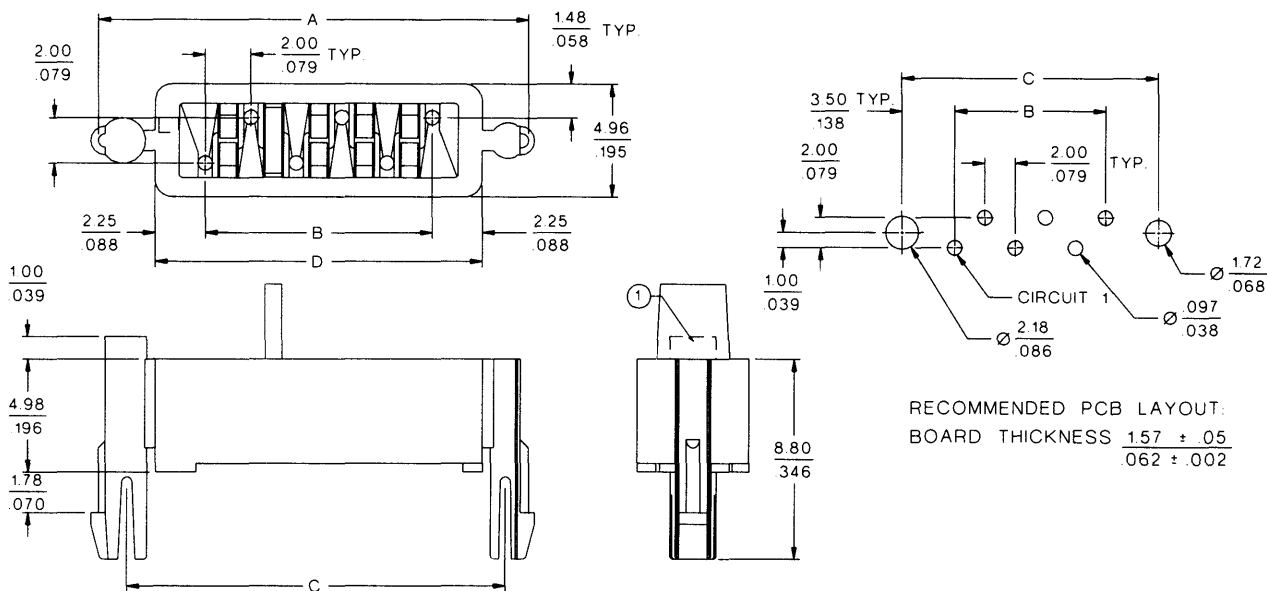
30453 Vertical For Ribbon Cable



Reference Information

Product Specification: 30453-0000
Packaging: Bag
UL File No.: E29179
CSA File No.: LR19980
Designed In: Millimeters

CATALOG DRAWING (FOR REFERENCE ONLY)



ORDERING INFORMATION AND DIMENSIONS

Circuits	Order No.	Dimension			
		A	B	C	D
4	30453-0400	14.90 (.580)	6.00 (.236)	13.00 (.512)	10.50 (.413)
5	30453-0500	16.90 (.660)	8.00 (.315)	15.00 (.591)	12.50 (.492)
6	30453-0600	18.90 (.740)	10.00 (.394)	17.00 (.669)	14.50 (.571)
7	30453-0700	20.90 (.820)	12.00 (.472)	19.00 (.748)	16.50 (.650)
8	30453-0800	22.90 (.900)	14.00 (.551)	21.00 (.827)	18.50 (.728)
9	30453-0900	24.90 (.980)	16.00 (.630)	23.00 (.906)	20.50 (.807)
10	30453-1000	26.90 (1.050)	18.00 (.709)	25.00 (.984)	22.50 (.886)
11	30453-1100	28.90 (1.130)	20.00 (.787)	27.00 (1.063)	24.50 (.965)
12	30453-1200	30.90 (1.210)	22.00 (.866)	29.00 (1.142)	26.50 (1.043)
13	30453-1300	32.90 (1.290)	24.00 (.945)	31.00 (1.220)	28.50 (1.122)
14	30453-1400	34.90 (1.370)	26.00 (1.024)	33.00 (1.299)	30.50 (1.201)
15	30453-1500	36.90 (1.450)	28.00 (1.102)	35.00 (1.378)	32.50 (1.280)
16	30453-1600	38.90 (1.530)	30.00 (1.181)	37.00 (1.457)	34.50 (1.358)
17	30453-1700	40.90 (1.610)	32.00 (1.260)	39.00 (1.535)	36.50 (1.437)
18	30453-1800	42.90 (1.680)	34.00 (1.339)	41.00 (1.614)	38.50 (1.516)
19	30453-1900	44.90 (1.760)	36.00 (1.417)	43.00 (1.693)	40.50 (1.594)
20	30453-2000	46.90 (1.840)	38.00 (1.496)	45.00 (1.772)	42.50 (1.673)
21	30453-2100	48.90 (1.920)	40.00 (1.575)	47.00 (1.850)	44.50 (1.752)