

**PLEASE CHECK WWW.MOLEX.COM FOR LATEST PART INFORMATION**

**Part Number:** [0534081079](#)  
**Status:** **Active**  
**Description:** 1.00mm (.039") Pitch Plug, Surface Mount, Dual Row, Vertical Stacking, 18.00mm (.709") Stack Height, Lead-free, 100 Circuits

**Documents:**

[3D Model](#) [Product Specification PS-52584-003 \(PDF\)](#)  
[Drawing \(PDF\)](#) [RoHS Certificate of Compliance \(PDF\)](#)

**General**

Product Family PCB Headers  
 Series [53408](#)  
 Application Board-to-Board  
 Product Name N/A

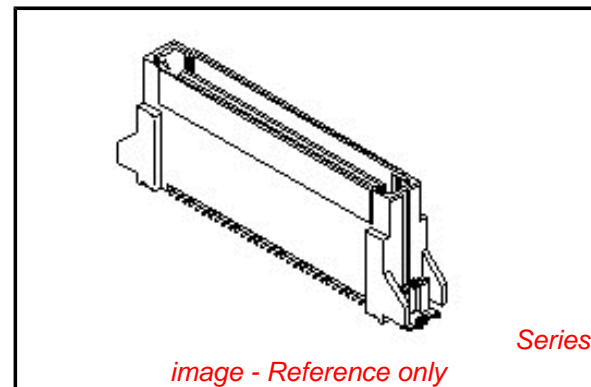
**Physical**

Breakaway No  
 Circuits (Loaded) 100  
 Circuits (maximum) 100  
 Color - Resin Natural  
 Durability (mating cycles max) 50  
 First Mate / Last Break No  
 Glow-Wire Compliant No  
 Guide to Mating Part No  
 Keying to Mating Part None  
 Lock to Mating Part None  
 Mated Height (in) 0.709 In  
 Mated Height (mm) 18.00 mm  
 Material - Metal Phosphor Bronze  
 Material - Plating Mating Gold  
 Material - Plating Termination Tin  
 Material - Resin High Temperature Thermoplastic  
 Number of Rows 2  
 Orientation Vertical  
 PCB Locator Yes  
 PCB Retention Yes  
 PCB Thickness Recommended (in) 0.040 In  
 PCB Thickness Recommended (mm) 1.00 mm  
 Packaging Type Tube  
 Pitch - Mating Interface (in) 0.039 In  
 Pitch - Mating Interface (mm) 1.00 mm  
 Plating min: Mating (µin) 10  
 Plating min: Mating (µm) 0.25  
 Plating min: Termination (µin) 40  
 Plating min: Termination (µm) 1  
 Polarized to PCB No  
 Shrouded Fully  
 Stackable No  
 Temperature Range - Operating -55°C to +85°C  
 Termination Interface: Style Surface Mount

**Electrical**

Current - Maximum per Contact 0.5A  
 Voltage - Maximum 100V

**Material Info**



**EU RoHS**

**ELV and RoHS  
 Compliant**  
**REACH SVHC  
 Contains SVHC: No**  
**Halogen-Free  
 Status  
 Not Reviewed**

**China RoHS**



**Need more information on product  
 environmental compliance?**

Email [productcompliance@molex.com](mailto:productcompliance@molex.com)  
 For a multiple part number RoHS Certificate of  
 Compliance, [click here](#)

Please visit the [Contact Us](#) section for any  
 non-product compliance questions.

**Search Parts in this Series**

[53408Series](#)

**Mates With**

[52584 PCB Receptacle](#)

**Reference - Drawing Numbers**

Product Specification  
Sales Drawing

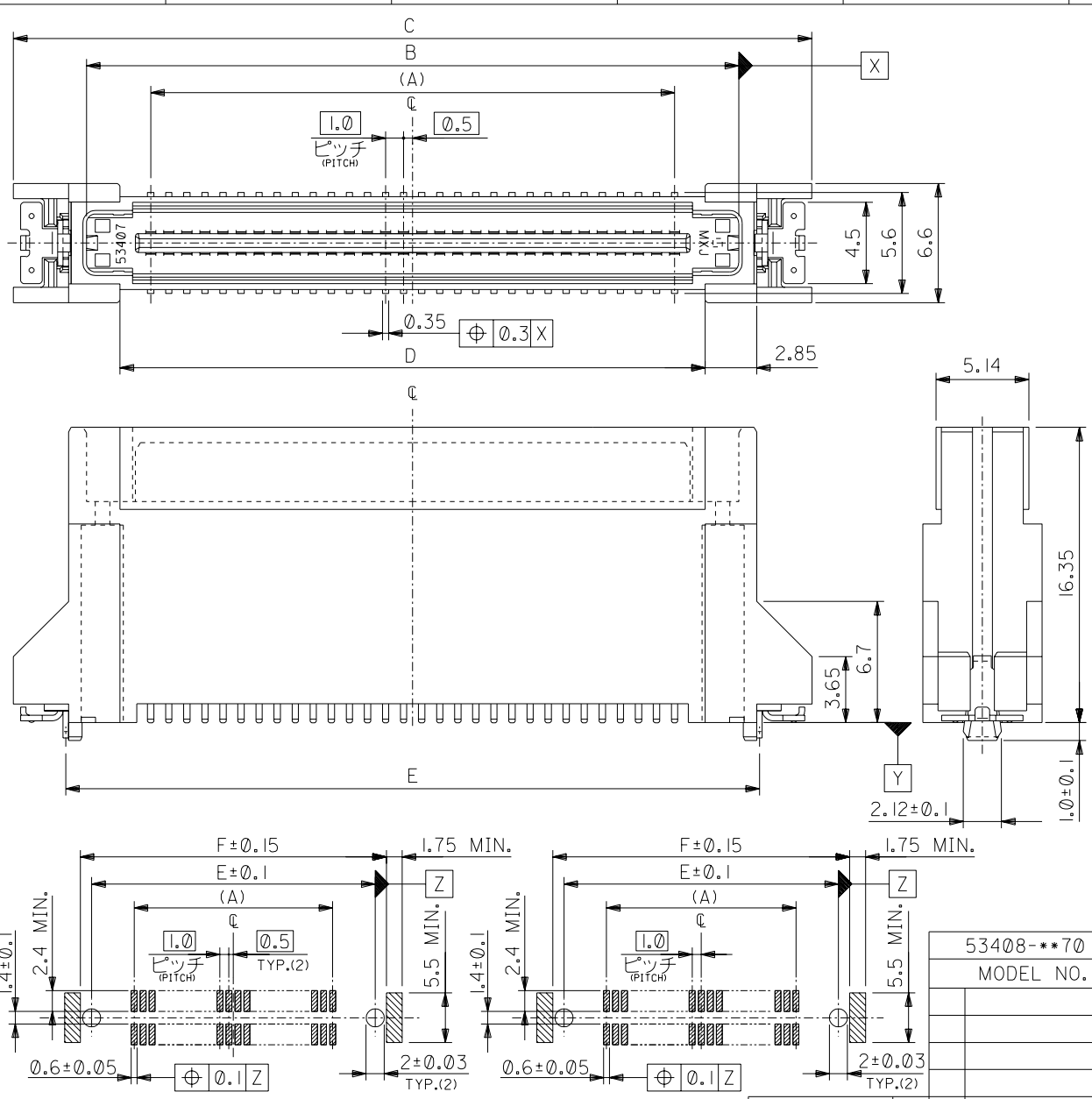
PS-52584-003, RPS-500017-002, RPS-52584-010  
SD-53408-007, SD-53408-008

This document was generated on 04/19/2010

**PLEASE CHECK [WWW.MOLEX.COM](http://WWW.MOLEX.COM) FOR LATEST PART INFORMATION**

DWG. NO. SD-53408-007

ALL DIMENSIONS IN METRIC DO NOT SCALE DRAWING



推奨基板寸法 (20, 24, 60, 80, 100, 120, 140極)  
RECOMMENDED PCB PATTERN LAYOUT (20, 24, 60, 80, 100, 120, 140CKTS.)

推奨基板寸法 (50極)  
RECOMMENDED PCB PATTERN LAYOUT (50 CKTS.)

8. 本製品は 53408-\*\*\*0 の鉛フリー品である。  
THIS PRODUCT IS LEAD FREE OF 53408-\*\*\*0

角度 ANGLE	±3°
30以上 OVER	+0.3
10以上 30未滿 UNDER	+0.25
未滿 10 UNDER	+0.2
一般公差 GENERAL TOLERANCES	

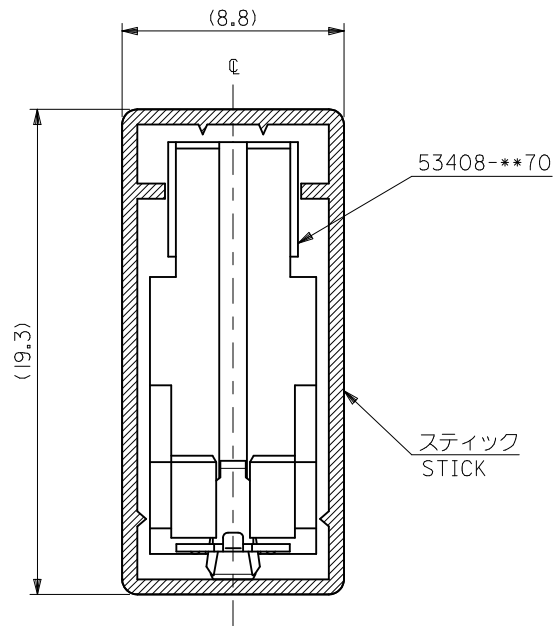
53408-***70	
MODEL NO.	
材料 MATERIAL	注参照 SEE NOTES
仕上げ FINISH	注参照 SEE NOTES
適用電線範囲 WIRE RANGE	—#—
被覆外径 INS. RANGE	—#—
DRAWN BY '04/03/11	CHK'D BY '04/03/11
M.NINOMIYA	K.TOJO
APP'D BY '04/03/11	DR. DATE
M.SASAO	

材料 MATERIAL	注参照 SEE NOTES
仕上げ FINISH	注参照 SEE NOTES
適用電線範囲 WIRE RANGE	—#—
被覆外径 INS. RANGE	—#—
DRAWN BY '04/03/11	CHK'D BY '04/03/11
M.NINOMIYA	K.TOJO
APP'D BY '04/03/11	DR. DATE
M.SASAO	

53408-***70	
MODEL NO.	
材料 MATERIAL	注参照 SEE NOTES
仕上げ FINISH	注参照 SEE NOTES
適用電線範囲 WIRE RANGE	—#—
被覆外径 INS. RANGE	—#—
DRAWN BY '04/03/11	CHK'D BY '04/03/11
M.NINOMIYA	K.TOJO
APP'D BY '04/03/11	DR. DATE
M.SASAO	

- 注) NOTES
- 材質 MATERIAL  
ハウジング: ガラス入り LCP、白色、UL94V-0  
HOUSING: F.LCP, WHITE, UL94V-0  
ターミナル: 燐青銅 (t=0.2)  
TERMINAL: PHOSPHOR BRONZE  
金属ペグ: 燐青銅  
METAL PEG: PHOSPHOR BRONZE
  - メッキ仕様 PLATING  
ターミナル 接点部: 金メッキ 0.25 MICROMETER MIN.  
TERMINAL CONTACT AREA: GOLD 0.25 MICROMETER MIN.  
半田付け部: 錫メッキ 1.0 MICROMETER MIN.  
SOLDER TAIL AREA: TIN 1.0 MICROMETER MIN.  
下地メッキ: ニッケルメッキ 2.0 MICROMETER MIN.  
UNDER-PLATING: NICKEL 2.0 MICROMETER MIN.  
金属ペグ 半田付け部: 錫メッキ 1.0 MICROMETER MIN.  
METAL PEG SOLDER TAIL AREA: TIN 1.0 MICROMETER MIN.  
下地メッキ: ニッケルメッキ 1.0 MICROMETER MIN.  
UNDER-PLATING: NICKEL 1.0 MICROMETER MIN.
  - 推奨基板厚 RECOMMENDED PCB THICKNESS  
1.0±0.1mm
  - テールのバラツキ寸法 TAIL COPLANARITY  
テールは、Y面を基準とし、上へ 0.02 下へ 0.15 の範囲に  
めし、且つテール平坦度は 0.15 とする。  
TAILS TO BE WITHIN 0.02 UPWARD AND 0.15 DOWNWARD FROM Y-DATUM PLANE,  
AND TAIL COPLANARITY TO BE 0.15.
  - ロックは、20、24、50極に設置する。  
LOCK TO BE ADDED TO 20, 24 AND 50 CKTS.
  - 梱包 PACKAGING  
本製品はスティック梱包とし、梱包後の MATERIAL NO. は  
53408-\*\*\*79とする。  
THIS PRODUCTS TO BE PACKED IN TUBE. MATERIAL NO.: 53408-\*\*\*79
  - 同一基板内に複数個 (2個以上) の使用は避けてください。  
MXJ DOES NOT RECOMMEND THE USAGE OF TWO OR MORE OF THESE CONNECTORS  
BETWEEN A SINGLE PAIR OF P.C.BOARD.

80.9	78.4	72.4	84.2	76.02	69	53408-1470	140	
70.9	68.4	62.4	74.2	66.02	59	53408-1270	120	
60.9	58.4	52.4	64.2	56.02	49	53408-1070	100	
50.9	48.4	42.4	54.2	46.02	39	53408-0870	80	
40.9	38.4	32.4	44.2	36.02	29	53408-0670	60	
35.9	33.4	27.4	39.2	31.02	24	53408-0570	50	
22.9	20.4	14.4	26.2	18.02	11	53408-2470	24	
20.9	18.4	12.4	24.2	16.02	9	53408-0270	20	
53408-***70	F	E	D	C	B	(A)	MATERIAL NO.	極数 NO. OF CKTS.



注記  
NOTES

1. スティック両端はキャップ止め。  
BOTH ENDS WITH CAPS.
2. 全 長 : 600±2  
TOTAL LENGTH
3. 肉 厚 : 0.6±0.2  
THICKNESS
4. 本製品は 53408-\*\*\*9 の鉛フリー品である。  
THIS PRODUCT IS LEAD FREE OF 53408-\*\*\*9.

6	53408-1479	140
7	53408-1279	120
8	53408-1079	100
10	53408-0879	80
13	53408-0679	60
14	53408-0579	50
21	53408-2479	24

MATERIAL  
スティック : ポリ塩化ビニル  
STICK : P.V.C.

REVISED	DESCRIPTION
EC NO: J2010-1426	DRWRTS:SUJOKA 2010/01/25
A	CHKD:THARUYAMA 2010/01/27
	APPR:HIRATA 2010/01/27

GENERAL TOLERANCES (UNLESS SPECIFIED)	
10 UNDER	± ---
10 OVER 30 UNDER	± ---
30 OVER	± ---
ANGULAR	± --- °
DRAFT WHERE APPLICABLE MUST REMAIN WITHIN DIMENSIONS	

53408-**79	MODEL NO.	梱包数 QUANTITY	MATERIAL No.	種数 NO. OF CKTS.
DIMENSION STYLE MM ONLY		SCALE ---	DESIGN UNITS METRIC	
DRAWN BY MNINOMIYA		DATE '04/03/11		
CHECKED BY KTOJO		DATE '04/03/11		
APPROVED BY MSASAO		DATE '04/03/11		
MATERIAL NO.		DOCUMENT NO.		SHEET NO.
SEE TABLE		SD-53408-008		1 OF 1
THIS DRAWING CONTAINS INFORMATION THAT IS PROPRIETARY TO MOLEX INCORPORATED AND SHOULD NOT BE USED WITHOUT WRITTEN PERMISSION				