

PLEASE CHECK WWW.MOLEX.COM FOR LATEST PART INFORMATION

Part Number: [0190770025](#)
Status: **Active**
Description: Avikrimp™ Steel Star Ring Tongue Terminal 14-16 AWG Wire, Stud Size 10

Documents:

[Drawing \(PDF\)](#) [RoHS Certificate of Compliance \(PDF\)](#)

Agency Certification

CSA LR18689
 UL E32244

General

Product Family Ring and Spade Terminals
 Series [19077](#)
 Crimp Quality Equipment Yes
 Mil-Spec N/A
 Product Name Avikrimp™
 Type Ring

Physical

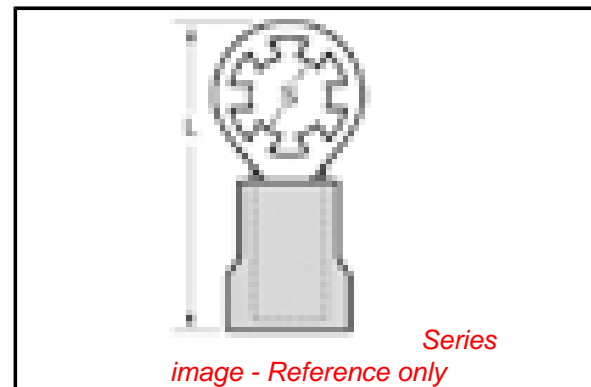
Barrel Type Closed
 Flammability 94V-2
 Insulation Nylon (PA)
 Material - Plating Mating Tin
 Packaging Type Bag
 Plating min: Mating (µin) 100
 Plating min: Mating (µm) 2.5
 Plating min: Termination (µin) 100
 Plating min: Termination (µm) 2.5
 Stud Size 10 (M5)
 Termination Interface: Style Crimp or Compression
 Wire Insulation Diameter 4.29mm (.169") max.
 Wire Size AWG 14, 16
 Wire Size mm² 1.00 - 2.60

Material Info

Old Part Number SRB-S-829-10

Reference - Drawing Numbers

Sales Drawing SD-19077-002



EU RoHS

ELV and RoHS Compliant
REACH SVHC
 Not Reviewed
Halogen-Free Status
Not Reviewed

China RoHS



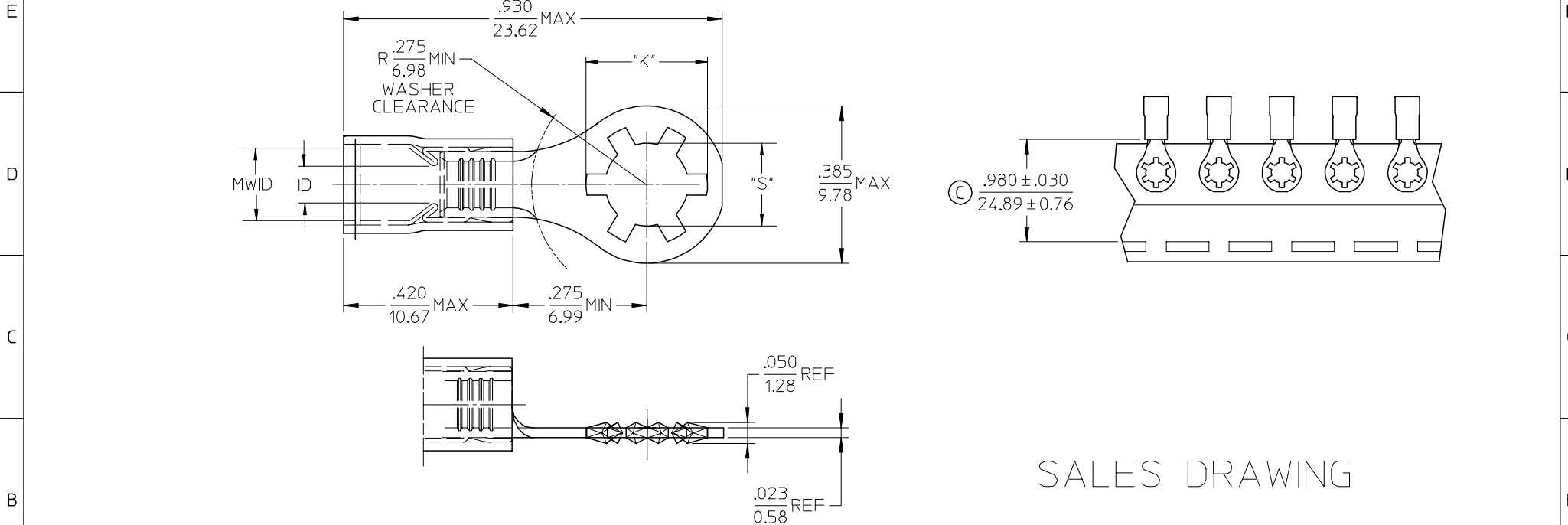
Need more information on product environmental compliance?

Email productcompliance@molex.com
 For a multiple part number RoHS Certificate of Compliance, [click here](#)

Please visit the [Contact Us](#) section for any non-product compliance questions.

Search Parts in this Series
[19077Series](#)

| MATERIAL NO. | ENG. NO. | MATERIAL NO. TAPE MOUNTED | ENG. NO. TAPE MOUNTED | STUD SIZE | "S" ±.005/.127 | "K" REF DIA | WIRE RANGE AWG / MM ² | INSULATION COLOR | I.D. MIN | MWID |
|--------------|--------------|---------------------------|-----------------------|-----------|----------------|-------------|----------------------------------|------------------|-----------|-----------|
| 190770009 | SRA-S-829-06 | 190770010 | SRA-S-829-06T | 6 | .146 (3.71) | .236 (5.99) | 22-18/.25-1.3 | RED | .062/1.57 | .138/3.51 |
| 190770011 | SRA-S-829-08 | 190770012 | SRA-S-829-08T | 8 | .173 (4.39) | .263 (6.68) | | | | |
| 190770013 | SRA-S-829-10 | 190770014 | SRA-S-829-10T | 10 | .198 (5.03) | .288 (7.32) | | | | |
| 190770021 | SRB-S-829-06 | 190770022 | SRB-S-829-06T | 6 | .146 (3.71) | .236 (5.99) | 16-14/1.0-2.6 | BLUE | .086/2.18 | .169/4.29 |
| 190770023 | SRB-S-829-08 | 190770024 | SRB-S-829-08T | 8 | .173 (4.39) | .263 (6.68) | | | | |
| 190770025 | SRB-S-829-10 | 190770026 | SRB-S-829-10T | 10 | .198 (5.03) | .288 (7.32) | | | | |



SALES DRAWING

- NOTES:
- MATERIAL: STEEL.
PLATING: ELECTROPLATE TIN.
 - FERRULE: BRASS ELECTROPLATE TIN.
PLATING: ELECTROPLATE TIN.
 - INSULATION: NYLON.
 - MWID=MAXIMUM WIRE INSULATION DIA.
 - ALL DIMENSIONS IN INCHES (MM).
 - ALL COMPONENTS ARE ROHS COMPLIANT. (C)

| | | | | | | | |
|---|-----------------|---------------------------------------|-------------------------------|-----------------------|---|------------------------|------------------------|
| MODIFY TOL. EC NO: ETC2006-0425 DRWN: CYORK 2006/05/08 CHKD: JMACNEIL 2006/05/11 APPR: RDEROSS 2006/05/11 | QUALITY SYMBOLS | GENERAL TOLERANCES (UNLESS SPECIFIED) | | SCALE 1:1 | DESIGN UNITS INCH | THIRD ANGLE PROJECTION | REVISE ON CAD ONLY |
| | DESCRIPTION | mm | INCH | DIMENSION STYLE IN/MM | | TITLE | |
| | ▼ -0 | 4 PLACES ± --- | ± --- | DRAWN BY DMYRICK | | DATE 03/12/22 | |
| | ▽ -0 | 3 PLACES ± --- | ± .005 | CHECKED BY SBEITZEL | | DATE 03/12/22 | |
| REV | 2 PLACES ± 0.13 | ± .01 | APPROVED BY RDEROSS | | DATE 03/12/22 | | MATERIAL NO. SEE CHART |
| | 1 PLACE ± 0.25 | ± --- | DRAFT WHERE APPLICABLE | | DOCUMENT NO. SD-19077-002 | | SHEET NO. 1 OF 1 |
| | ANGULAR ±1/2° | | MUST REMAIN WITHIN DIMENSIONS | | THIS DRAWING CONTAINS INFORMATION THAT IS PROPRIETARY TO MOLEX INCORPORATED AND SHOULD NOT BE USED WITHOUT WRITTEN PERMISSION | | |