

TECHNICAL DATA
DATA SHEET 1167, REV. A

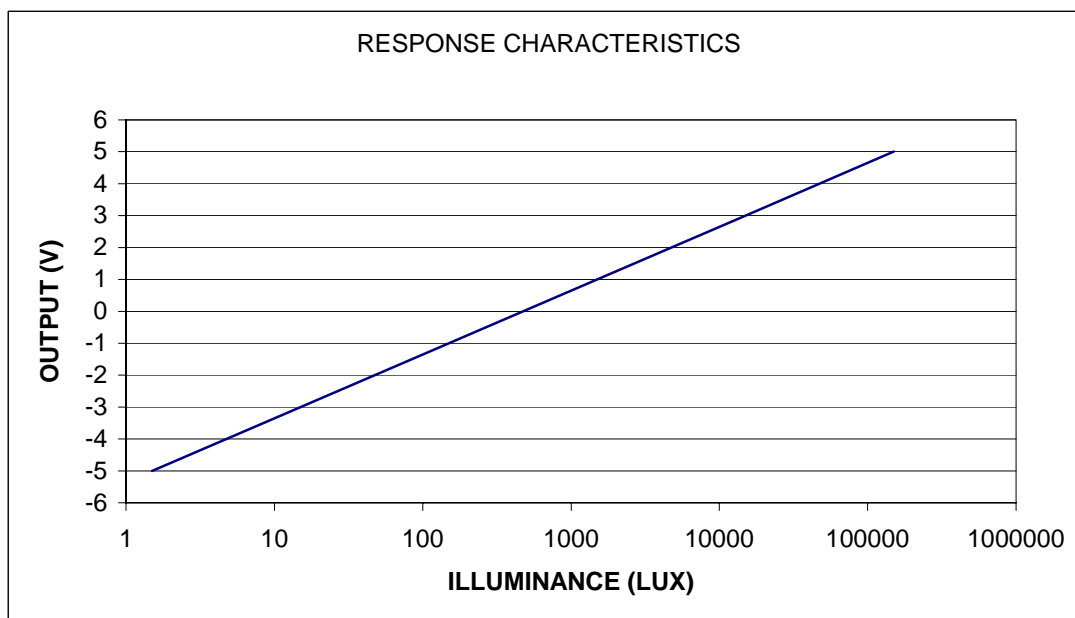
AMBIENT LIGHT SENSOR LOGARITHMIC HYBRID AMPLIFIER

FEATURES:

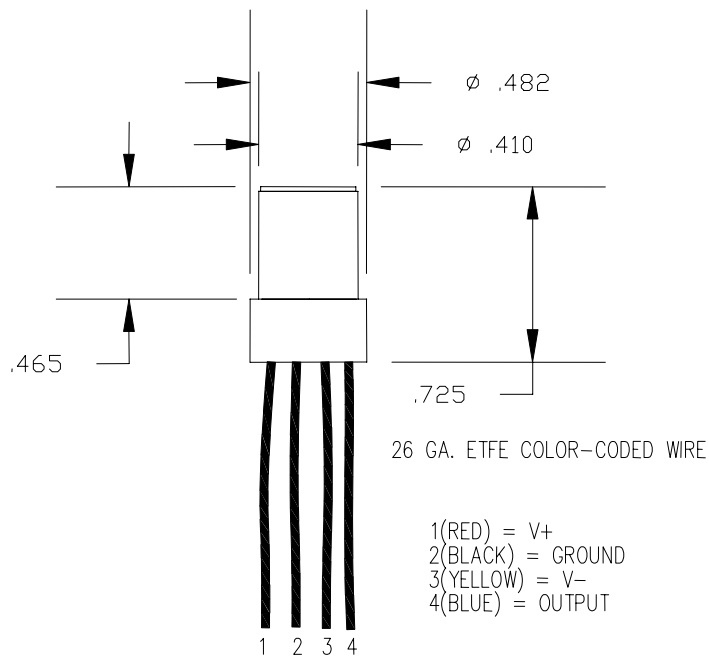
- 2 Volts Per Decade Response
- Wide Field of View
- Very Wide Sensitivity Range
- Filtered to Match Human Eye Model
- Miniature Size
- Internal Temperature Compensation

MAXIMUM RATINGS / ELECTRICAL CHARACTERISTICS

RATINGS/CHARACTERISTIC -- Condition	SYMBOL	MIN.	TYP.	MAX.	UNITS
Supply Voltage	V_{CC}	-	-	+18	Volts
Supply Voltage	V_{CC}	-	-	-18	Volts
Output Voltage -- (± 0.25 Volts) (over input range of 1.5 to 150,000 Lux)	V_O	-5	-	+5	Volts
Insulation Resistance @ 50Vdc	R_I	10	-	-	$M\Omega$
Reduction @ Field of View of $\pm 40^\circ$ from center pole	-	-	-	50	%
Sensitivity (up to 10Hz)	-	1.5	-	150,000	Lux
Operating Temperature Range	T_{OP}	-40	-	+85	$^\circ C$



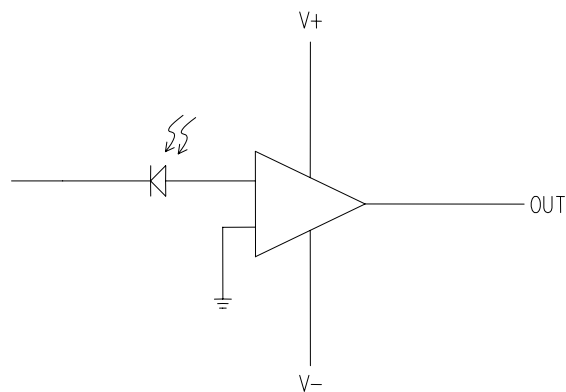
MECHANICAL DIMENSIONS: in Inches



NOMINAL WIRE LENGTH 2.00 +/- 0.25 INCHES. OTHER LENGTHS AVAILABLE UPON REQUEST



BLOCK DIAGRAM:



SENSITRON**TECHNICAL DATA**
DATA SHEET 1167, REV. A

DISCLAIMER:

1- The information given herein, including the specifications and dimensions, is subject to change without prior notice to improve product characteristics. Before ordering, purchasers are advised to contact the Sensitron Semiconductor sales department for the latest version of the datasheet(s).

2- In cases where extremely high reliability is required (such as use in nuclear power control, aerospace and aviation, traffic equipment, medical equipment, and safety equipment), safety should be ensured by using semiconductor devices that feature assured safety or by means of users' fail-safe precautions or other arrangement.

3- In no event shall Sensitron Semiconductor be liable for any damages that may result from an accident or any other cause during operation of the user's units according to the datasheet(s). Sensitron Semiconductor assumes no responsibility for any intellectual property claims or any other problems that may result from applications of information, products or circuits described in the datasheets.

4- In no event shall Sensitron Semiconductor be liable for any failure in a semiconductor device or any secondary damage resulting from use at a value exceeding the absolute maximum rating.

5- No license is granted by the datasheet(s) under any patents or other rights of any third party or Sensitron Semiconductor.

6- The datasheet(s) may not be reproduced or duplicated, in any form, in whole or part, without the expressed written permission of Sensitron Semiconductor.

7- The products (technologies) described in the datasheet(s) are not to be provided to any party whose purpose in their application will hinder maintenance of international peace and safety nor are they to be applied to that purpose by their direct purchasers or any third party. When exporting these products (technologies), the necessary procedures are to be taken in accordance with related laws and regulations.