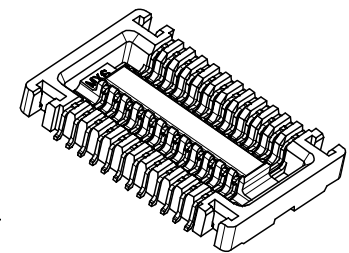
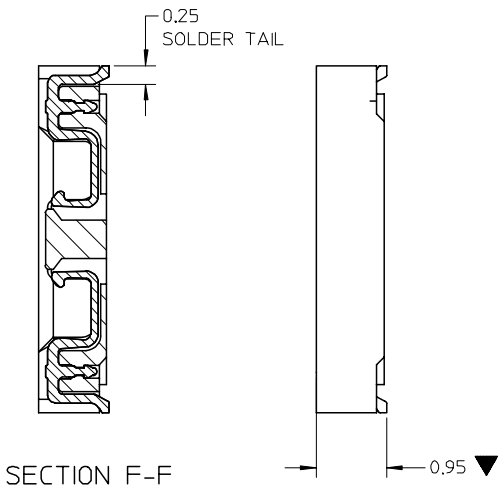
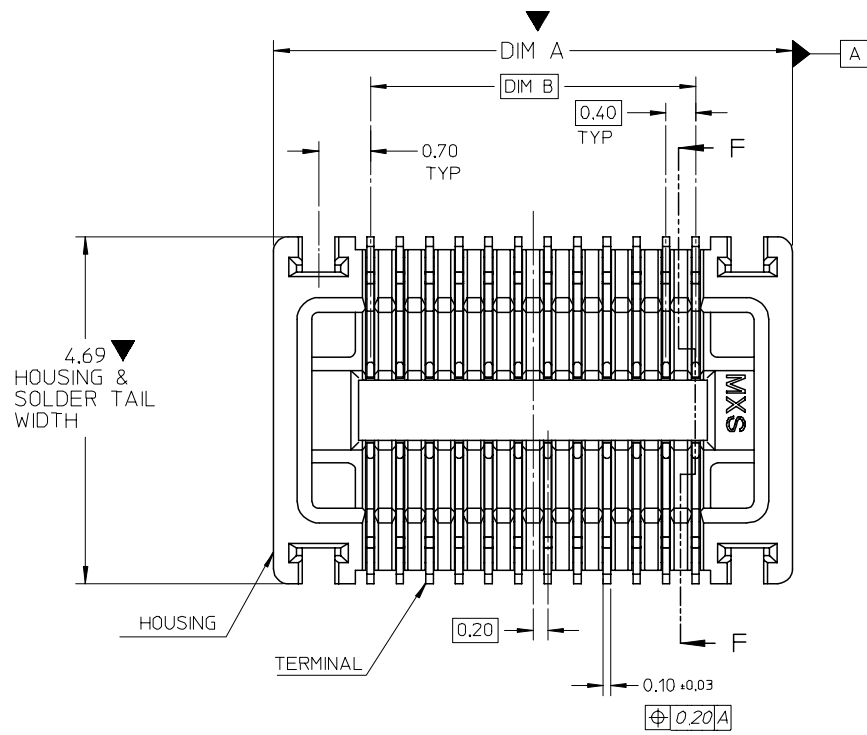
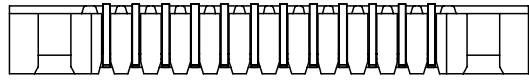


10 9 8 7 6 5 4 3 2 1

CIRCUIT SIZE	PART NUMBER	DIM A	DIM B
14	87820-0014	5.02	2.40
24	87820-1024	7.02	4.40
30	87820-0030	8.22	5.60
40	87820-1040	10.22	7.60
50	87820-0050	12.22	9.60
60	87820-0060	14.22	11.60



EC NO: S2005-0922 2005/06/09 DRAWN: IHO 2005/06/09 CHKD: SRRAMESH 2005/06/09 APPR: GGLLEE 2005/06/09	QUALITY SYMBOLS ▽=3 ▽=0	GENERAL TOLERANCES (UNLESS SPECIFIED)		DIMENSION STYLE MM ONLY		SCALE NTS	DESIGN UNITS METRIC	THIRD ANGLE PROJECTION		
		4 PLACES	± ---	± ---	mm	INCH	DRAWN BY SRRAMESH	DATE 2003/09/15	TITLE SALES DRAWING 0.4MM PITCH, B-T-B CONN. RECEPTACLE MOLEX INCORPORATED	
		3 PLACES	± ---	± ---	mm	INCH	CHECKED BY KNNAGESH	DATE 2003/10/09		
		2 PLACES	± 0.13	± ---	mm	INCH	APPROVED BY SKTOH	DATE 2003/10/09		
1 PLACE	± ---	± ---	mm	INCH	MATERIAL NO. SEE TABLE	DOCUMENT NO. SD-87820-002	SHEET NO. 1 OF 3			
DRAFT WHERE APPLICABLE MUST REMAIN WITHIN DIMENSIONS		SIZE A3		THIS DRAWING CONTAINS INFORMATION THAT IS PROPRIETARY TO MOLEX INCORPORATED AND SHOULD NOT BE USED WITHOUT WRITTEN PERMISSION						

9 8 7 6 5 4 3 2 1

10 9 8 7 6 5 4 3 2 1

F

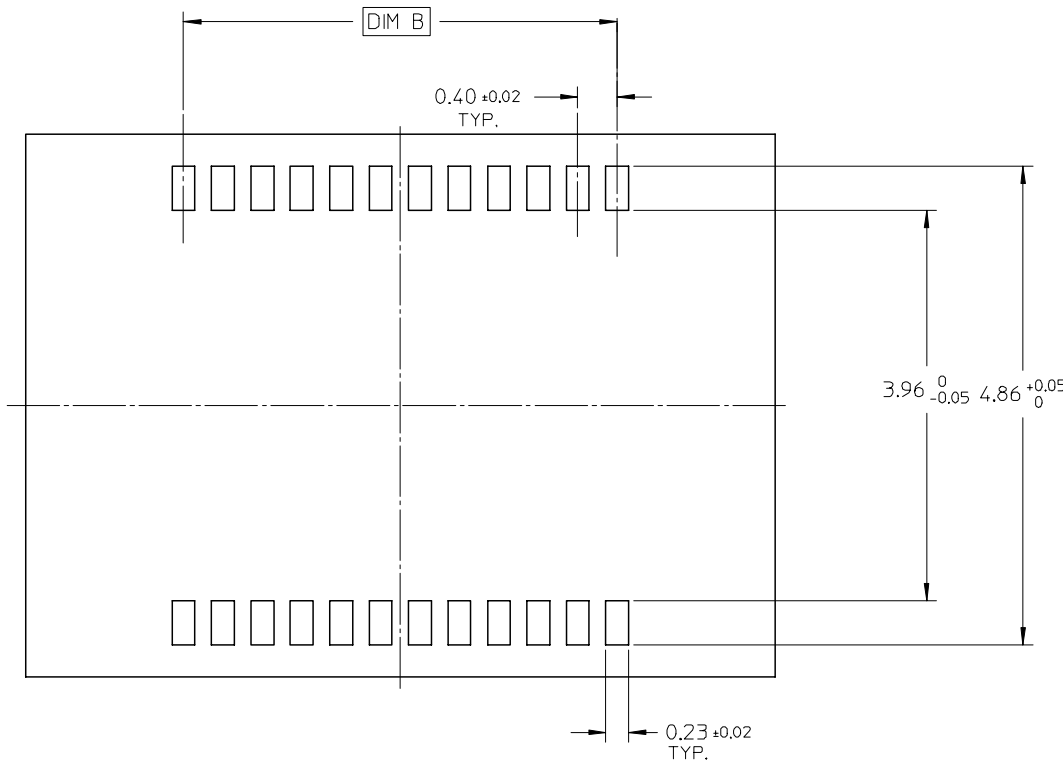
E

D

C

B

A



RECOMMENDED PCB LAYOUT

RECOMMENDED SOLDER PASTE: 120 μ M

NOTES:

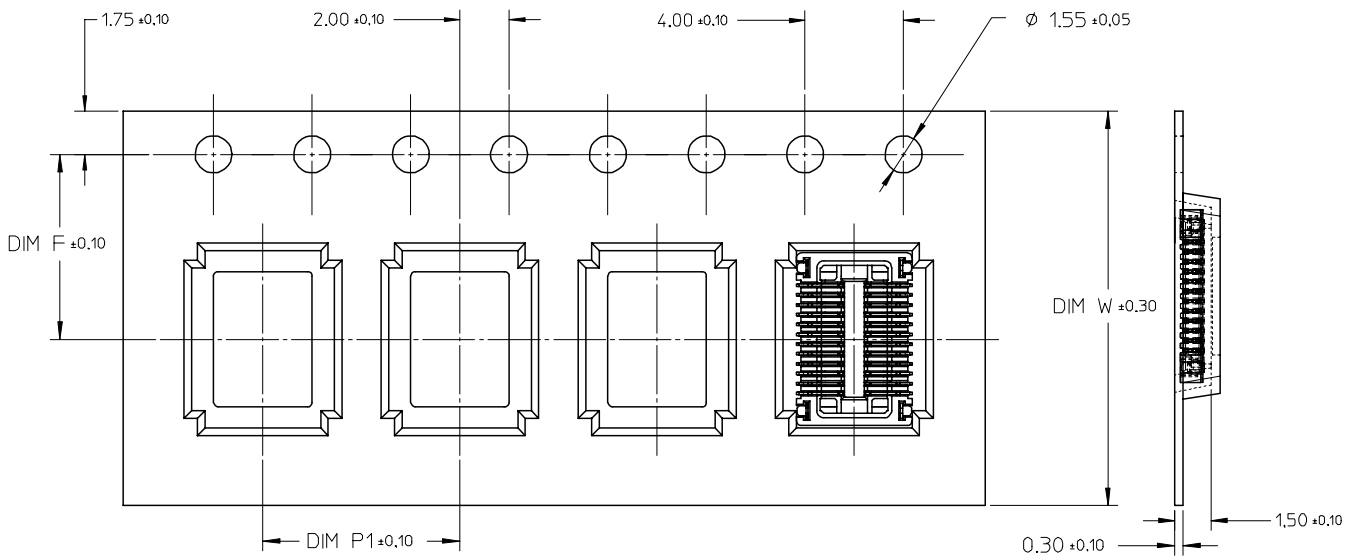
1. MATERIALS:
A.HOUSING : LCP UL 94V-0
B.TERMINAL : COPPER ALLOY
2. PLATING:
A.TERMINAL: 0.1μM MIN.GOLD OVERALL WITH
1.0μM MIN.NICKEL UNDERPLATING
- ▼ 3. TAIL AND NAIL COPLANARITY :0.10 mm MAX.TO BE MEASURED BY PLACING THE CONNECTOR ON A FLAT GAUGED SURFACE.
4. MATE WITH: 87819-****
5. PARTS SHALL BE PACKED IN TAPE AND REEL.
6. 24 CKTS. SHOWN FOR ILLUSTRATION.

EC NO: S2005-0922 2005/06/09	DRAWN: IHO 2005/06/09	CHKD: SRRAMESH 2005/06/09	APPR: GGLLEE 2005/06/09	QUALITY SYMBOLS ▽=1 ▽C=0	GENERAL TOLERANCES (UNLESS SPECIFIED)		DIMENSION STYLE MM ONLY		SCALE NTS	DESIGN UNITS METRIC	THIRD ANGLE PROJECTION	
					mm	INCH	DRAWN BY SRRAMESH	DATE 2003/09/15	TITLE SALES DRAWING 0.4MM PITCH, B-T-B CONN. RECEPTACLE			
B6	REV	DESCRIPTION	REV	DESCRIPTION	4 PLACES	± ---	± ---	APPROVED BY KNNAGESH	DATE 2003/10/09	MOLEX INCORPORATED		
					3 PLACES	± ---	± ---	DATE 2003/10/09				
					2 PLACES	± 0.13	± ---	DATE 2003/10/09	SKTOH	DOCUMENT NO. SD-87820-002	SHEET NO. 2 OF 3	
					1 PLACE	± ---	± ---	MATERIAL NO. SEE TABLE		THIS DRAWING CONTAINS INFORMATION THAT IS PROPRIETARY TO MOLEX INCORPORATED AND SHOULD NOT BE USED WITHOUT WRITTEN PERMISSION		
					ANGULAR ± 3 °							
DRAFT WHERE APPLICABLE MUST REMAIN WITHIN DIMENSIONS					SIZE A3							

9 8 7 6 5 4 3 2 1

10 9 8 7 6 5 4 3 2 1

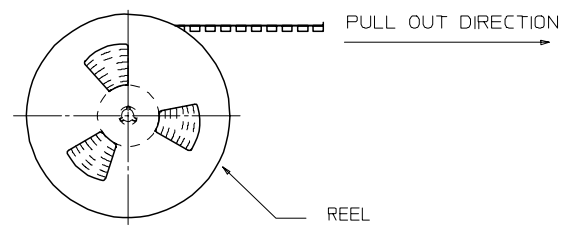
CIRCUIT SIZE	QTY/REEL	DIM W	DIM P1	DIM F
14	1000	16.00	8.00	7.50
24		16.00	8.00	7.50
30	3000	24.00	12.00	11.50
40		24.00	12.00	11.50
50		24.00	12.00	11.50
60		32.00	12.00	14.20



TAPE & REEL DETAIL

NOTES:

- LEADER AND TRAILER TAPE
TOP TAPE LEADER 230±20
25±3 TOP TAPE NON BONDED TAPE
PULL OUT DIRECTION
LEADER PART (EMPTY) 205±15
COMPONENT 195±35
TAIL PART (EMPTY)
- PEELING OFF FORCE OF THE TOP TAPE: 50gf MAX.
- PACKAGING QTY (PCS/REEL):SEE TABLE
- THE TAPE IS TREATED FOR ANTI ESD



TAPE AND REEL ORIENTATION

EC NO: S2005-0922 2005/06/09 DRAWN: IHO 2005/06/09 CHKD: SRRAMESH 2005/06/09 APPR: GGLLEE 2005/06/09	QUALITY SYMBOLS ▽=0 ▽=0	GENERAL TOLERANCES (UNLESS SPECIFIED)		DIMENSION STYLE MM ONLY	SCALE NTS	DESIGN UNITS METRIC	THIRD ANGLE PROJECTION		
		4 PLACES	± ---	± ---	DRAWN BY SRRAMESH	DATE 2003/09/15	SALES DRAWING 0.4MM PITCH, B-T-B CONN. RECEPTACLE		
		3 PLACES	± ---	± ---	CHECKED BY KNNAGESH	DATE 2003/10/09			
		2 PLACES	± 0.13	± ---	APPROVED BY SKTOH	DATE 2003/10/09	MOLEX INCORPORATED DOCUMENT NO. SD-87820-002	SHEET NO. 3 OF 3	
B6	REV	DRAFT WHERE APPLICABLE MUST REMAIN WITHIN DIMENSIONS		SIZE A3	THIS DRAWING CONTAINS INFORMATION THAT IS PROPRIETARY TO MOLEX INCORPORATED AND SHOULD NOT BE USED WITHOUT WRITTEN PERMISSION				

9 8 7 6 5 4 3 2 1