

www.DataSheet4U.com

H8/3927 Series
H8/3927, H8/3926, H8/3925, H8/3924
Hardware Manual

Preface

The H8/300L Series of single-chip microcomputers has the high-speed H8/300L CPU at its core, with many necessary peripheral functions on-chip. The H8/300L CPU instruction set is compatible with the H8/300 CPU.

www.DataSheet4U.com

The H8/3927 Series has a system-on-a-chip architecture that includes such peripheral functions as a D/A converter, ten timers, a 14-bit PWM, a two-channel serial communication interface, and an A/D converter. This makes it ideal for use in advanced control systems.

This manual describes the hardware of the H8/3927 Series. For details on the H8/3927 Series instruction set, refer to the H8/300L Series Programming Manual.

Contents

| | | |
|-----------|--|----|
| Section 1 | Overview | 1 |
| 1.1 | Overview..... | 1 |
| 1.2 | Internal Block Diagram | 5 |
| 1.3 | Pin Arrangement and Functions | 6 |
| 1.3.1 | Pin Arrangement..... | 6 |
| 1.3.2 | Pin Functions | 8 |
| Section 2 | CPU | 13 |
| 2.1 | Overview..... | 13 |
| 2.1.1 | Features..... | 13 |
| 2.1.2 | Address Space..... | 14 |
| 2.1.3 | Register Configuration..... | 14 |
| 2.2 | Register Descriptions..... | 15 |
| 2.2.1 | General Registers..... | 15 |
| 2.2.2 | Control Registers | 15 |
| 2.2.3 | Initial Register Values | 17 |
| 2.3 | Data Formats..... | 17 |
| 2.3.1 | Data Formats in General Registers | 18 |
| 2.3.2 | Memory Data Formats | 19 |
| 2.4 | Addressing Modes | 20 |
| 2.4.1 | Addressing Modes | 20 |
| 2.4.2 | Effective Address Calculation | 22 |
| 2.5 | Instruction Set..... | 26 |
| 2.5.1 | Data Transfer Instructions | 28 |
| 2.5.2 | Arithmetic Operations | 30 |
| 2.5.3 | Logic Operations | 31 |
| 2.5.4 | Shift Operations | 31 |
| 2.5.5 | Bit Manipulations | 33 |
| 2.5.6 | Branching Instructions..... | 37 |
| 2.5.7 | System Control Instructions | 39 |
| 2.5.8 | Block Data Transfer Instruction | 40 |
| 2.6 | Basic Operational Timing..... | 42 |
| 2.6.1 | Access to On-Chip Memory (RAM, ROM) | 42 |
| 2.6.2 | Access to On-Chip Peripheral Modules | 43 |
| 2.7 | CPU States | 45 |
| 2.7.1 | Overview..... | 45 |
| 2.7.2 | Program Execution State | 46 |
| 2.7.3 | Program Halt State..... | 46 |
| 2.7.4 | Exception-Handling State | 46 |
| 2.8 | Memory Map | 47 |
| 2.8.1 | Memory Map | 47 |

| | | |
|---|---|-----------|
| 2.9 | Application Notes | 48 |
| 2.9.1 | Notes on Data Access | 48 |
| 2.9.2 | Notes on Bit Manipulation..... | 50 |
| 2.9.3 | Notes on Use of the EEPMOV Instruction..... | 56 |
| Section 3 Exception Handling..... | | 57 |
| 3.1 | Overview..... | 57 |
| 3.2 | Reset | 57 |
| 3.2.1 | Overview..... | 57 |
| 3.2.2 | Reset Sequence | 57 |
| 3.2.3 | Interrupt Immediately after Reset..... | 59 |
| 3.3 | Interrupts..... | 59 |
| 3.3.1 | Overview..... | 59 |
| 3.3.2 | Interrupt Control Registers | 61 |
| 3.3.3 | External Interrupts | 71 |
| 3.3.4 | Internal Interrupts | 72 |
| 3.3.5 | Interrupt Operations..... | 73 |
| 3.3.6 | Interrupt Response Time..... | 78 |
| 3.4 | Application Notes | 79 |
| 3.4.1 | Notes on Stack Area Use | 79 |
| 3.4.2 | Notes on Rewriting Port Mode Registers | 80 |
| Section 4 Clock Pulse Generators | | 83 |
| 4.1 | Overview..... | 83 |
| 4.1.1 | Block Diagram..... | 83 |
| 4.1.2 | System Clock and Subclock | 83 |
| 4.2 | System Clock Generator | 84 |
| 4.3 | Subclock Generator | 87 |
| 4.4 | Prescalers | 89 |
| 4.5 | Note on Oscillators | 90 |
| Section 5 Power-Down Modes..... | | 91 |
| 5.1 | Overview..... | 91 |
| 5.1.1 | System Control Registers | 94 |
| 5.2 | Sleep Mode | 98 |
| 5.2.1 | Transition to Sleep Mode..... | 98 |
| 5.2.2 | Clearing Sleep Mode | 98 |
| 5.2.3 | Clock Frequency in Sleep (Medium-Speed) Mode | 98 |
| 5.3 | Standby Mode | 99 |
| 5.3.1 | Transition to Standby Mode | 99 |
| 5.3.2 | Clearing Standby Mode | 99 |
| 5.3.3 | Oscillator Settling Time after Standby Mode is Cleared..... | 100 |
| 5.4 | Watch Mode..... | 101 |

| | | |
|---------------------------------|--|------------|
| 5.4.1 | Transition to Watch Mode | 101 |
| 5.4.2 | Clearing Watch Mode..... | 101 |
| 5.4.3 | Oscillator Settling Time after Watch Mode is Cleared | 101 |
| 5.5 | Subsleep Mode..... | 102 |
| 5.5.1 | Transition to Subsleep Mode | 102 |
| 5.5.2 | Clearing Subsleep Mode..... | 102 |
| 5.6 | Subactive Mode | 103 |
| 5.6.1 | Transition to Subactive Mode..... | 103 |
| 5.6.2 | Clearing Subactive Mode | 103 |
| 5.6.3 | Operating Frequency in Subactive Mode | 103 |
| 5.7 | Active (Medium-Speed) Mode | 104 |
| 5.7.1 | Transition to Active (Medium-Speed) Mode | 104 |
| 5.7.2 | Clearing Active (Medium-Speed) Mode | 104 |
| 5.7.3 | Operating Frequency in Active (Medium-Speed) Mode | 104 |
| 5.8 | Direct Transfer..... | 105 |
| Section 6 ROM | | 107 |
| 6.1 | Overview..... | 107 |
| 6.1.1 | Block Diagram..... | 107 |
| 6.2 | PROM Mode..... | 108 |
| 6.2.1 | Setting to PROM Mode | 108 |
| 6.2.2 | Socket Adapter Pin Arrangement and Memory Map | 108 |
| 6.3 | Programming | 111 |
| 6.3.1 | Writing and Verifying..... | 111 |
| 6.3.2 | Programming Precautions..... | 116 |
| 6.4 | Reliability of Programmed Data..... | 117 |
| Section 7 RAM | | 119 |
| 7.1 | Overview..... | 119 |
| 7.1.1 | Block Diagram..... | 119 |
| Section 8 I/O Ports..... | | 121 |
| 8.1 | Overview..... | 121 |
| 8.2 | Port 1 | 123 |
| 8.2.1 | Overview..... | 123 |
| 8.2.2 | Register Configuration and Description | 123 |
| 8.2.3 | Pin Functions | 127 |
| 8.2.4 | Pin States | 128 |
| 8.2.5 | MOS Input Pull-Up..... | 128 |
| 8.3 | Port 3 | 129 |
| 8.3.1 | Overview..... | 129 |
| 8.3.2 | Register Configuration and Description | 129 |
| 8.3.3 | Pin Functions | 134 |

| | | |
|-----------------------|--|-----|
| 8.3.4 | Pin States | 136 |
| 8.3.5 | MOS Input Pull-Up..... | 136 |
| 8.4 | Port 4 | 137 |
| 8.4.1 | Overview..... | 137 |
| 8.4.2 | Register Configuration and Description | 137 |
| 8.4.3 | Pin Functions | 138 |
| 8.4.4 | Pin States | 138 |
| 8.5 | Port 5 | 139 |
| 8.5.1 | Overview..... | 139 |
| 8.5.2 | Register Configuration and Description | 139 |
| 8.5.3 | Pin Functions | 141 |
| 8.5.4 | Pin States | 142 |
| 8.5.5 | MOS Input Pull-Up..... | 142 |
| 8.6 | Port 6 | 143 |
| 8.6.1 | Overview..... | 143 |
| 8.6.2 | Register Configuration and Description | 143 |
| 8.6.3 | Pin Functions | 145 |
| 8.6.4 | Pin States | 145 |
| 8.6.5 | Operation | 146 |
| 8.7 | Port 7 | 148 |
| 8.7.1 | Overview..... | 148 |
| 8.7.2 | Register Configuration and Description | 148 |
| 8.7.3 | Pin Functions | 150 |
| 8.7.4 | Pin States | 150 |
| 8.8 | Port 8 | 151 |
| 8.8.1 | Overview..... | 151 |
| 8.8.2 | Register Configuration and Description | 151 |
| 8.8.3 | Pin Functions | 153 |
| 8.8.4 | Pin States | 154 |
| 8.9 | Port B | 155 |
| 8.9.1 | Overview..... | 155 |
| 8.9.2 | Register Configuration and Description | 155 |
| 8.9.3 | Pin Functions | 156 |
| 8.9.4 | Pin States | 156 |
| 8.10 | Port C | 157 |
| 8.10.1 | Overview..... | 157 |
| 8.10.2 | Register Configuration and Description | 157 |
| 8.10.3 | Pin Functions | 158 |
| 8.10.4 | Pin States | 158 |
| Section 9 Timers..... | | 159 |
| 9.1 | Overview..... | 159 |
| 9.2 | Timer A..... | 161 |

| | | |
|-------|---------------------------------|-----|
| 9.2.1 | Overview..... | 161 |
| 9.2.2 | Register Descriptions..... | 163 |
| 9.2.3 | Timer Operation..... | 165 |
| 9.2.4 | Timer A Operation States | 166 |
| 9.3 | Timer B1..... | 167 |
| 9.3.1 | Overview..... | 167 |
| 9.3.2 | Register Descriptions..... | 168 |
| 9.3.3 | Timer Operation..... | 170 |
| 9.3.4 | Timer B1 Operation States | 171 |
| 9.4 | Timer B2..... | 172 |
| 9.4.1 | Overview..... | 172 |
| 9.4.2 | Register Descriptions..... | 173 |
| 9.4.3 | Timer Operation..... | 175 |
| 9.4.4 | Timer B2 Operation States | 176 |
| 9.5 | Timer B3..... | 177 |
| 9.5.1 | Overview..... | 177 |
| 9.5.2 | Register Descriptions..... | 178 |
| 9.5.3 | Timer Operation..... | 180 |
| 9.5.4 | Timer B3 Operation States | 181 |
| 9.6 | Timer C..... | 182 |
| 9.6.1 | Overview..... | 182 |
| 9.6.2 | Register Descriptions..... | 183 |
| 9.6.3 | Timer Operation..... | 186 |
| 9.6.4 | Timer C Operation States | 187 |
| 9.7 | Timer E..... | 188 |
| 9.7.1 | Overview..... | 188 |
| 9.7.2 | Register Descriptions..... | 189 |
| 9.7.3 | Timer Operation..... | 192 |
| 9.7.4 | Timer E Operation States..... | 194 |
| 9.8 | Timer V..... | 195 |
| 9.8.1 | Overview..... | 195 |
| 9.8.2 | Register Descriptions..... | 198 |
| 9.8.3 | Timer Operation..... | 204 |
| 9.8.4 | Timer V Operation Modes..... | 209 |
| 9.8.5 | Interrupt Sources..... | 209 |
| 9.8.6 | Application Examples..... | 210 |
| 9.8.7 | Application Notes | 212 |
| 9.9 | Timer X..... | 218 |
| 9.9.1 | Overview..... | 218 |
| 9.9.2 | Register Descriptions..... | 222 |
| 9.9.3 | CPU Interface | 233 |
| 9.9.4 | Timer Operation..... | 236 |
| 9.9.5 | Timer X Operation Modes..... | 245 |

| | | |
|---|---|------------|
| 9.9.6 | Interrupt Sources..... | 245 |
| 9.9.7 | Timer X Application Example..... | 246 |
| 9.9.8 | Application Notes | 247 |
| 9.10 | Timer Y..... | 252 |
| 9.10.1 | Overview..... | 252 |
| 9.10.2 | Register Descriptions..... | 253 |
| 9.10.3 | CPU Interface | 256 |
| 9.10.4 | Timer Operation..... | 259 |
| 9.10.5 | Timer Y Operation States | 260 |
| 9.11 | Watchdog Timer | 261 |
| 9.11.1 | Overview..... | 261 |
| 9.11.2 | Register Descriptions..... | 262 |
| 9.11.3 | Timer Operation..... | 265 |
| 9.11.4 | Watchdog Timer Operation States..... | 266 |
| Section 10 Serial Communication Interface..... | | 267 |
| 10.1 | Overview..... | 267 |
| 10.2 | SCI1 | 267 |
| 10.2.1 | Overview..... | 267 |
| 10.2.2 | Register Descriptions..... | 269 |
| 10.2.3 | Operation | 274 |
| 10.2.4 | Interrupts..... | 277 |
| 10.3 | SCI2 | 278 |
| 10.3.1 | Overview..... | 278 |
| 10.3.2 | Register Descriptions..... | 280 |
| 10.3.3 | Operation | 285 |
| 10.3.4 | Interrupts..... | 292 |
| Section 11 14-Bit PWM..... | | 293 |
| 11.1 | Overview..... | 293 |
| 11.1.1 | Features..... | 293 |
| 11.1.2 | Block Diagram..... | 293 |
| 11.1.3 | Pin Configuration..... | 294 |
| 11.1.4 | Register Configuration..... | 294 |
| 11.2 | Register Descriptions..... | 295 |
| 11.2.1 | PWM Control Register (PWCR) | 295 |
| 11.2.2 | PWM Data Registers U and L (PWDRU, PWDRL) | 296 |
| 11.3 | Operation | 297 |
| Section 12 A/D Converter..... | | 299 |
| 12.1 | Overview..... | 299 |
| 12.1.1 | Features..... | 299 |
| 12.1.2 | Block Diagram..... | 299 |

| | | |
|---|--|------------|
| 12.1.3 | Pin Configuration..... | 300 |
| 12.1.4 | Register Configuration..... | 300 |
| 12.2 | Register Descriptions..... | 301 |
| 12.2.1 | A/D Result Register (ADRR)..... | 301 |
| 12.2.2 | A/D Mode Register (AMR)..... | 301 |
| 12.2.3 | A/D Start Register (ADSR)..... | 303 |
| 12.3 | Operation..... | 304 |
| 12.3.1 | A/D Conversion Operation..... | 304 |
| 12.3.2 | Start of A/D Conversion by External Trigger Input..... | 304 |
| 12.4 | Interrupts..... | 305 |
| 12.5 | Typical Use..... | 305 |
| 12.6 | Application Notes..... | 308 |
| Section 13 D/A Converter..... | | 309 |
| 13.1 | Overview..... | 309 |
| 13.1.1 | Features..... | 309 |
| 13.1.2 | Block Diagram..... | 310 |
| 13.1.3 | Pin Configuration..... | 311 |
| 13.1.4 | Register Configuration..... | 311 |
| 13.2 | Register Descriptions..... | 312 |
| 13.2.1 | D/A Data Registers 3 to 0 (DADR3 to DADR0)..... | 312 |
| 13.2.2 | D/A Control Register 0 (DACR0)..... | 312 |
| 13.3 | Operation..... | 314 |
| 13.4 | D/A Converter Operation States..... | 315 |
| 13.5 | Application Notes..... | 315 |
| Section 14 Electrical Characteristics..... | | 317 |
| 14.1 | Absolute Maximum Ratings..... | 317 |
| 14.2 | Electrical Characteristics..... | 318 |
| 14.2.1 | Power Supply Voltage and Operating Range..... | 318 |
| 14.2.2 | DC Characteristics..... | 320 |
| 14.2.3 | AC Characteristics..... | 326 |
| 14.2.4 | A/D Converter Characteristics..... | 329 |
| 14.2.5 | D/A Converter Characteristics..... | 330 |
| 14.3 | Operation Timing..... | 331 |
| 14.4 | Output Load Circuit..... | 335 |
| Appendix A CPU Instruction Set..... | | 337 |
| A.1 | Instructions..... | 337 |
| A.2 | Operation Code Map..... | 345 |
| A.3 | Number of Execution States..... | 347 |

| | | |
|------------|---|-----|
| Appendix B | On-Chip Registers..... | 354 |
| B.1 | I/O Registers (1) | 354 |
| B.2 | I/O Registers (2) | 358 |
| Appendix C | I/O Port Block Diagrams..... | 411 |
| C.1 | Block Diagrams of Port 1 | 411 |
| C.2 | Block Diagrams of Port 3 | 418 |
| C.3 | Block Diagram of Port 4..... | 426 |
| C.4 | Block Diagrams of Port 5 | 427 |
| C.5 | Block Diagram of Port 6..... | 431 |
| C.6 | Block Diagrams of Port 7 | 432 |
| C.7 | Block Diagrams of Port 8 | 436 |
| C.8 | Block Diagram of Port B | 444 |
| C.9 | Block Diagram of Port C | 445 |
| Appendix D | Port States in the Different Processing States..... | 446 |
| Appendix E | Package Dimensions..... | 447 |

Section 1 Overview

1.1 Overview

The H8/300L Series is a series of single-chip microcomputers (MCU: microcomputer unit), built around the high-speed H8/300L CPU and equipped with peripheral system functions on-chip.

Within the H8/300L Series, the H8/3927 Series of microcomputers are equipped with D/A converters. Other on-chip peripheral functions include 10 timers, a 14-bit pulse width modulator (PWM), two serial communication interface channels, an A/D converter, and a realtime output port. Together, these functions make the H8/3927 Series ideally suited for embedded applications in advanced control systems. The size of the on-chip ROM is 60 kbytes in the H8/3927, 48 kbytes in the H8/3926, 40 kbytes in the H8/3925, and 32 kbytes in the H8/3924. Each model has 1 kbyte of on-chip RAM. The ZTAT™* versions of the H8/3927 come with user-programmable PROM.

Table 1 summarizes the features of the H8/3927 Series.

Note: * ZTAT is a trademark of Hitachi, Ltd.

Table 1-1 Features

| Item | Description |
|------|---|
| CPU | <p>High-speed H8/300L CPU</p> <ul style="list-style-type: none">• General-register architecture <p>General registers: Sixteen 8-bit registers (can be used as eight 16-bit registers)</p> <ul style="list-style-type: none">• Operating speed<ul style="list-style-type: none">— Max. operating speed: 5 MHz— Add/subtract: 0.4 μs (operating at 5 MHz)— Multiply/divide: 2.8 μs (operating at 5 MHz)— Can run on 32.768 kHz subclock• Instruction set compatible with H8/300 CPU<ul style="list-style-type: none">— Instruction length of 2 bytes or 4 bytes— Basic arithmetic operations between registers— MOV instruction for data transfer between memory and registers <p>Typical instructions</p> <ul style="list-style-type: none">• Multiply (8 bits \times 8 bits)• Divide (16 bits \div 8 bits)• Bit accumulator• Register-indirect designation of bit position |

Table 1-1 Features (cont)

| Item | Description |
|------------------------|---|
| Interrupts | 35 interrupt sources <ul style="list-style-type: none"> • 13 external interrupt sources (NMI, IRQ₃ to IRQ₀, INT₇ to INT₀) • 22 internal interrupt sources |
| Clock pulse generators | Two on-chip clock pulse generators <ul style="list-style-type: none"> • System clock pulse generator: 1 to 10 MHz • Subclock pulse generator: 32.768 kHz |
| Power-down modes | Seven power-down modes <ul style="list-style-type: none"> • Sleep (high-speed) mode • Sleep (medium-speed) mode • Standby mode • Watch mode • Subsleep mode • Subactive mode • Active (medium-speed) mode |
| Memory | Large on-chip memory <ul style="list-style-type: none"> • H8/3927: 60-kbyte ROM; 1-kbyte RAM • H8/3926: 48-kbyte ROM; 1-kbyte RAM • H8/3925: 40-kbyte ROM; 1-kbyte RAM • H8/3924: 32-kbyte ROM; 1-kbyte RAM |
| I/O ports | 68 pins <ul style="list-style-type: none"> • 56 I/O pins (including 8-pin realtime output port) • 12 input pins |
| Timers | Ten on-chip timers <ul style="list-style-type: none"> • Timer A: 8-bit timer <p>Count-up timer with selection of eight internal clock signals divided from the system clock (\emptyset)* and four clock signals divided from the watch clock (\emptyset_W)*</p> • Timer B1: 8-bit timer <ul style="list-style-type: none"> — Count-up timer with selection of seven internal clock signals or event input from external pin — Auto-reloading <p>Note: * \emptyset and \emptyset_W are defined in section 4, Clock Pulse Generators.</p> |

Table 1-1 Features (cont)

| Item | Description |
|-------------|---|
| Timers | <ul style="list-style-type: none">• Timer B2: 8-bit timer<ul style="list-style-type: none">— Count-up timer with selection of seven internal clock signals— Auto-reloading• Timer B3: 8-bit timer<ul style="list-style-type: none">— Count-up timer with selection of seven internal clock signals— Auto-reloading• Timer C: 8-bit timer<ul style="list-style-type: none">— Count-up/count-down timer with selection of seven internal clock signals or event input from external pin— Auto-reloading• Timer E: 8-bit timer<ul style="list-style-type: none">— Count-up timer with selection of eight internal clock signals— Square-wave output with 50% duty cycle• Timer V: 8-bit timer<ul style="list-style-type: none">— Count-up timer with selection of six internal clock signals or event input from external pin— Compare-match waveform output— Externally triggerable• Timer X: 16-bit timer<ul style="list-style-type: none">— Count-up timer with selection of three internal clock signals or event input from external pin— Output compare (2 output pins)— Input capture (4 input pins)• Timer Y: 16-bit timer<ul style="list-style-type: none">— Count-up timer with selection of seven internal clock signals or event input from external pin— Auto-reloading• Watchdog timer<ul style="list-style-type: none">— Reset signal generated by 8-bit counter overflow |

Table 1-1 Features (cont)

| Item | Specification | | | | | | | | | | | | | | | | | | | | | | | | | | | | | | | | | | |
|--------------------------------|--|-----------------------|--------------------------------|--|--|-------------------------|----------------------|----------------|---------------------|------------|------------|---------------------|--------------------------------|------------|---|--------------------------------|------------|---|--------------------------------|------------|---|--------------------------------|------------|------------|-----------------------|--------------------------------|------------|---|--------------------------------|------------|---|--------------------------------|------------|---|--------------------------------|
| Serial communication interface | Two channels on chip <ul style="list-style-type: none"> • SCI1: synchronous serial interface • Choice of 8-bit or 16-bit data transfer • SCI2: 8-bit synchronous serial interface • Automatic transfer of 32-byte data segments | | | | | | | | | | | | | | | | | | | | | | | | | | | | | | | | | | |
| 14-bit PWM | Pulse-division PWM output for reduced ripple <ul style="list-style-type: none"> • Can be used as a 14-bit D/A converter by connecting to an external low-pass filter. | | | | | | | | | | | | | | | | | | | | | | | | | | | | | | | | | | |
| A/D converter | Successive approximations using a resistance ladder <ul style="list-style-type: none"> • Resolution: 8 bits • Conversion time: 31/∅ or 62/∅ per channel | | | | | | | | | | | | | | | | | | | | | | | | | | | | | | | | | | |
| D/A converter | 8-bit R-2R-type D/A converter <ul style="list-style-type: none"> • 4 analog output channels | | | | | | | | | | | | | | | | | | | | | | | | | | | | | | | | | | |
| Product lineup | <table border="1"> <thead> <tr> <th colspan="4">Product Code</th> </tr> <tr> <th>Mask ROM Version</th> <th>ZTAT™ Version</th> <th>Package</th> <th>ROM/RAM Size</th> </tr> </thead> <tbody> <tr> <td>HD6433927F</td> <td>HD6473927F</td> <td rowspan="4">80-pin QFP (FP-80B)</td> <td>ROM: 60 kbytes RAM: 1 kbyte</td> </tr> <tr> <td>HD6433926F</td> <td>—</td> <td>ROM: 48 kbytes RAM: 1 kbyte</td> </tr> <tr> <td>HD6433925F</td> <td>—</td> <td>ROM: 40 kbytes RAM: 1 kbyte</td> </tr> <tr> <td>HD6433924F</td> <td>—</td> <td>ROM: 32 kbytes RAM: 1 kbyte</td> </tr> <tr> <td>HD6433927X</td> <td>HD6473927X</td> <td rowspan="4">80-pin TQFP (TFP-80F)</td> <td>ROM: 60 kbytes RAM: 1 kbyte</td> </tr> <tr> <td>HD6433926X</td> <td>—</td> <td>ROM: 48 kbytes RAM: 1 kbyte</td> </tr> <tr> <td>HD6433925X</td> <td>—</td> <td>ROM: 40 kbytes RAM: 1 kbyte</td> </tr> <tr> <td>HD6433924X</td> <td>—</td> <td>ROM: 32 kbytes RAM: 1 kbyte</td> </tr> </tbody> </table> | Product Code | | | | Mask ROM Version | ZTAT™ Version | Package | ROM/RAM Size | HD6433927F | HD6473927F | 80-pin QFP (FP-80B) | ROM: 60 kbytes RAM: 1 kbyte | HD6433926F | — | ROM: 48 kbytes RAM: 1 kbyte | HD6433925F | — | ROM: 40 kbytes RAM: 1 kbyte | HD6433924F | — | ROM: 32 kbytes RAM: 1 kbyte | HD6433927X | HD6473927X | 80-pin TQFP (TFP-80F) | ROM: 60 kbytes RAM: 1 kbyte | HD6433926X | — | ROM: 48 kbytes RAM: 1 kbyte | HD6433925X | — | ROM: 40 kbytes RAM: 1 kbyte | HD6433924X | — | ROM: 32 kbytes RAM: 1 kbyte |
| Product Code | | | | | | | | | | | | | | | | | | | | | | | | | | | | | | | | | | | |
| Mask ROM Version | ZTAT™ Version | Package | ROM/RAM Size | | | | | | | | | | | | | | | | | | | | | | | | | | | | | | | | |
| HD6433927F | HD6473927F | 80-pin QFP (FP-80B) | ROM: 60 kbytes RAM: 1 kbyte | | | | | | | | | | | | | | | | | | | | | | | | | | | | | | | | |
| HD6433926F | — | | ROM: 48 kbytes RAM: 1 kbyte | | | | | | | | | | | | | | | | | | | | | | | | | | | | | | | | |
| HD6433925F | — | | ROM: 40 kbytes RAM: 1 kbyte | | | | | | | | | | | | | | | | | | | | | | | | | | | | | | | | |
| HD6433924F | — | | ROM: 32 kbytes RAM: 1 kbyte | | | | | | | | | | | | | | | | | | | | | | | | | | | | | | | | |
| HD6433927X | HD6473927X | 80-pin TQFP (TFP-80F) | ROM: 60 kbytes RAM: 1 kbyte | | | | | | | | | | | | | | | | | | | | | | | | | | | | | | | | |
| HD6433926X | — | | ROM: 48 kbytes RAM: 1 kbyte | | | | | | | | | | | | | | | | | | | | | | | | | | | | | | | | |
| HD6433925X | — | | ROM: 40 kbytes RAM: 1 kbyte | | | | | | | | | | | | | | | | | | | | | | | | | | | | | | | | |
| HD6433924X | — | | ROM: 32 kbytes RAM: 1 kbyte | | | | | | | | | | | | | | | | | | | | | | | | | | | | | | | | |

1.2 Internal Block Diagram

Figure 1-1 shows a block diagram of the H8/3927 Series.

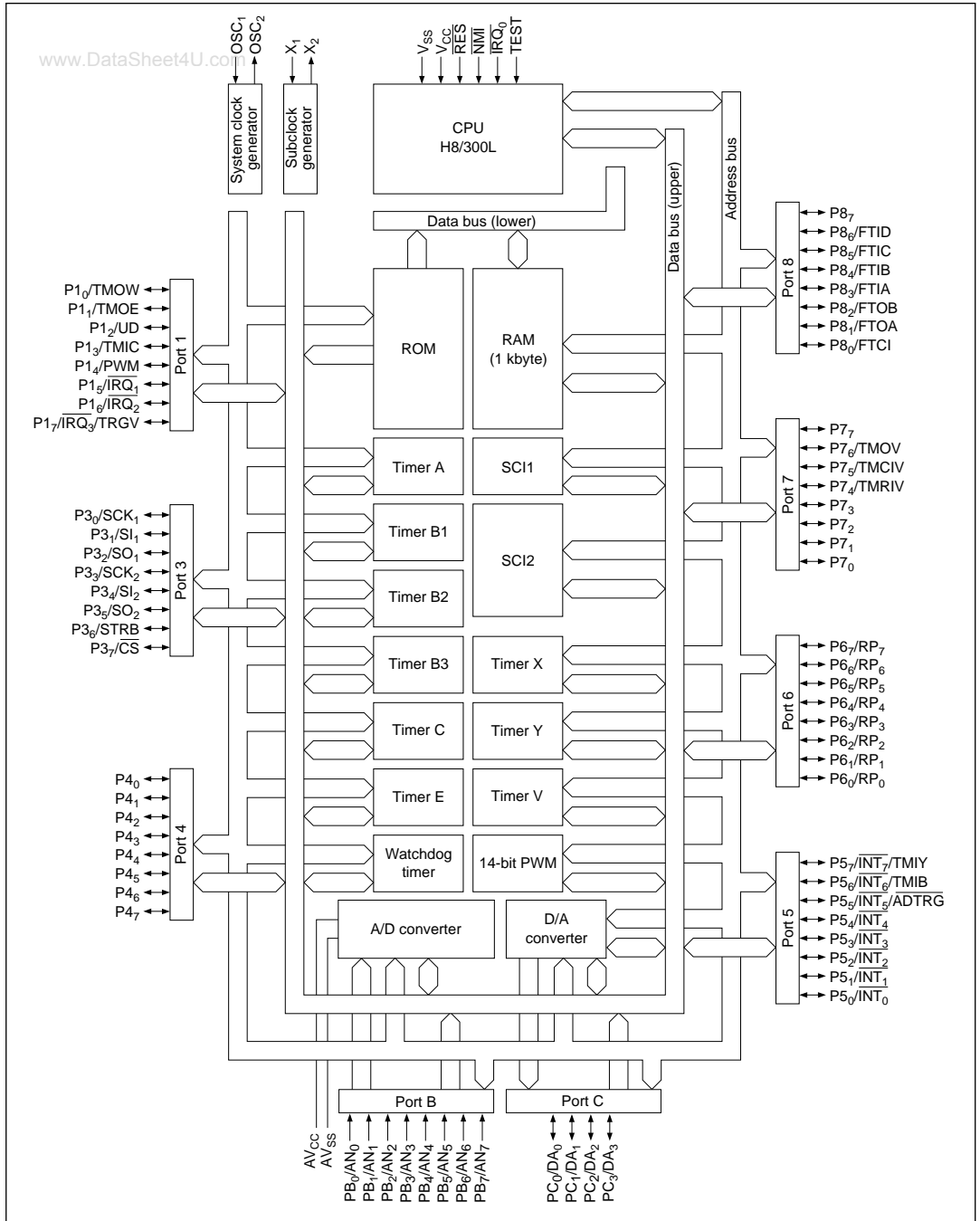


Figure 1-1 Block Diagram

1.3 Pin Arrangement and Functions

1.3.1 Pin Arrangement

The H8/3927 Series pin arrangement is shown in figures 1-2 and 1-3.

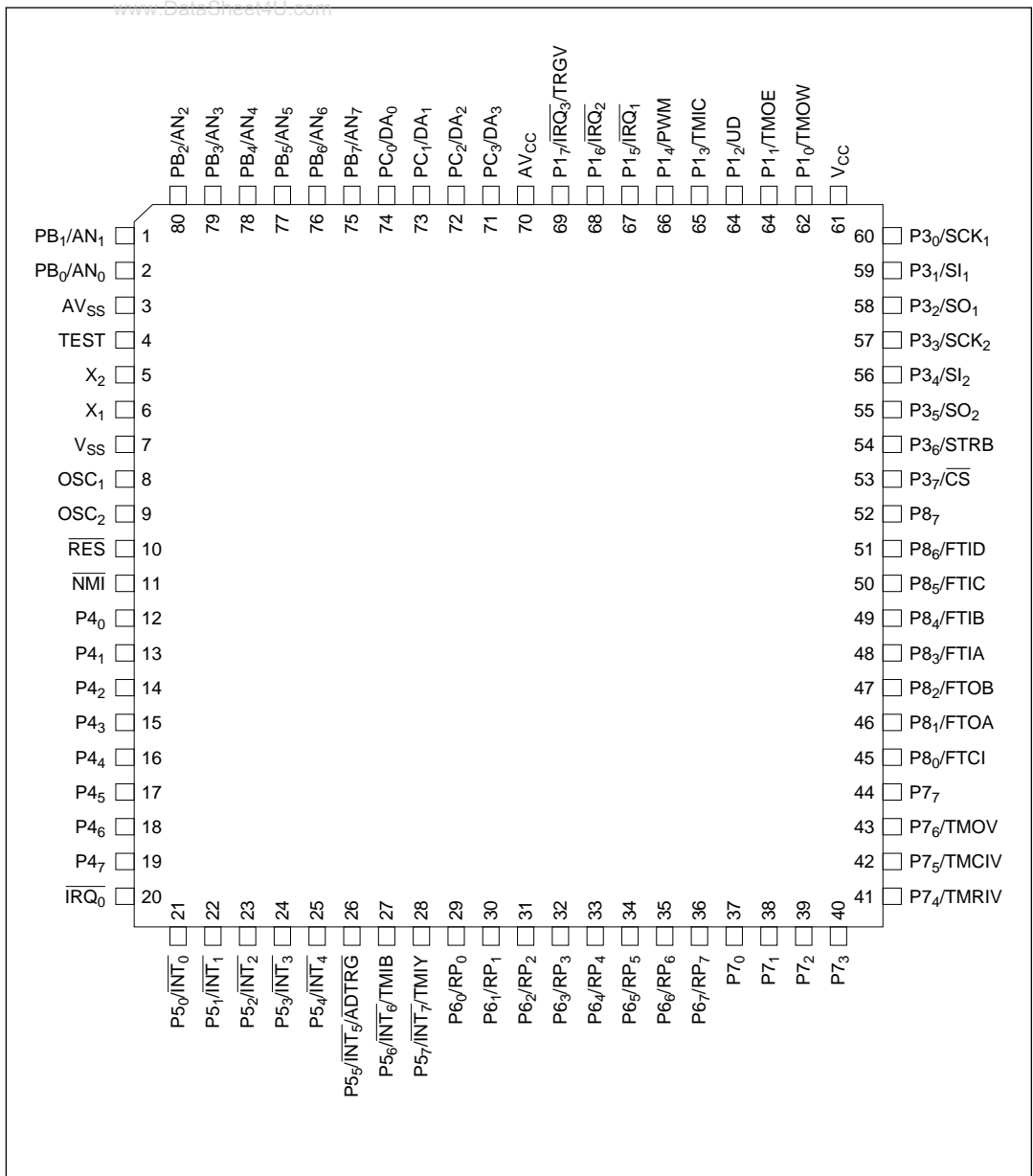


Figure 1-2 Pin Arrangement (TFP-80F: Top View)

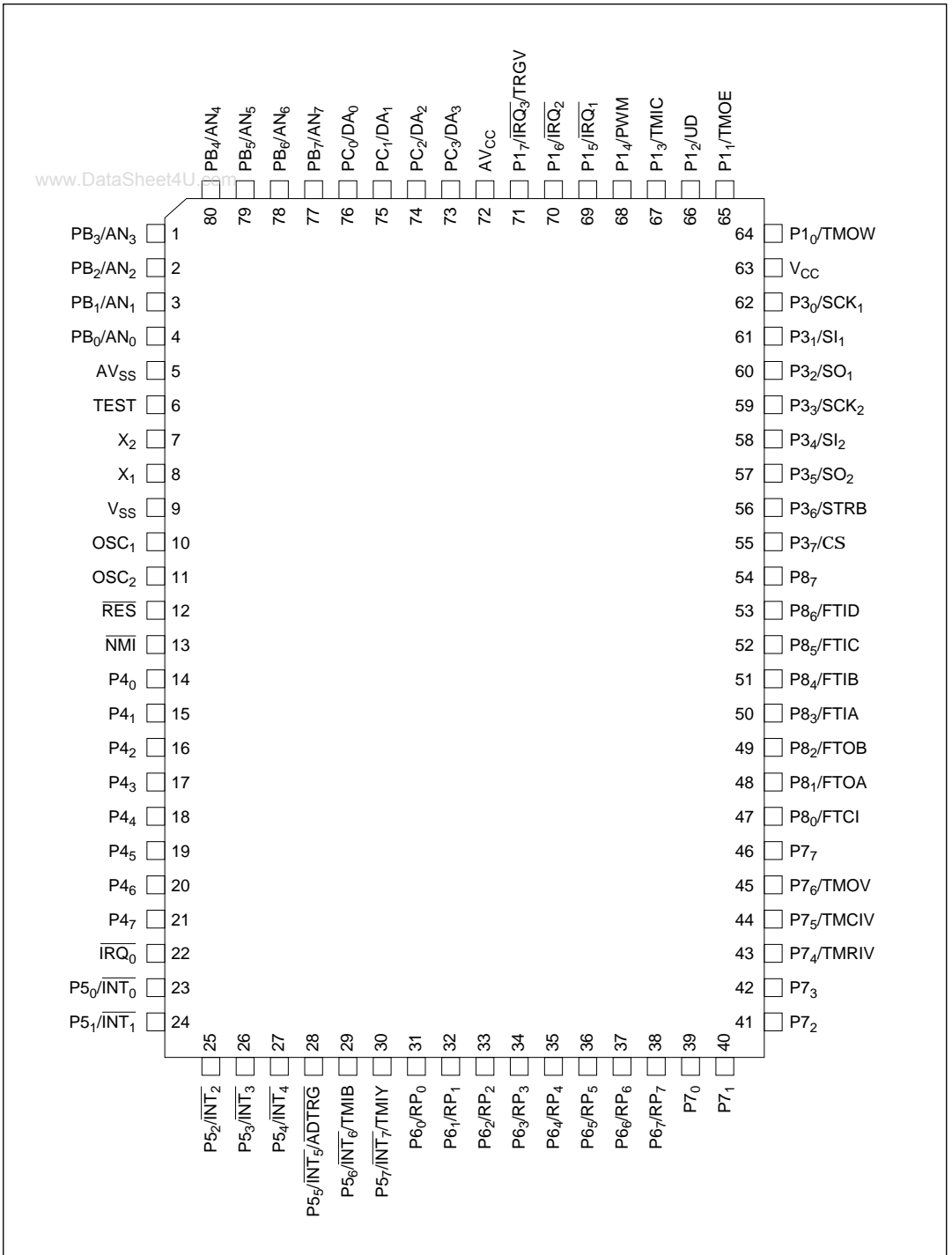


Figure 1-3 Pin Arrangement (FP-80B: Top View)

1.3.2 Pin Functions

Table 1-2 outlines the pin functions of the H8/3927 Series.

Table 1-2 Pin Functions

| Type | Symbol | Pin No. | | I/O | Name and Functions |
|-------------------|-----------|---------|--------|--------|---|
| | | TFP-80F | FP-80B | | |
| Power source pins | V_{CC} | 61 | 63 | Input | Power supply: All V_{CC} pins should be connected to the system power supply (+5 V) |
| | V_{SS} | 7 | 9 | Input | Ground: All V_{SS} pins should be connected to the system power supply (0 V) |
| | AV_{CC} | 70 | 72 | Input | Analog power supply: This is the power supply pin for the A/D converter. When the A/D converter is not used, connect this pin to the system power supply (+5 V). |
| | AV_{SS} | 3 | 5 | Input | Analog ground: This is the A/D converter ground pin. It should be connected to the system power supply (0 V). |
| Clock pins | OSC_1 | 8 | 10 | Input | System clock: These pins connect to a crystal or ceramic oscillator, or can be used to input an external clock. See section 4, Clock Pulse Generators, for a typical connection diagram. |
| | OSC_2 | 9 | 11 | Output | |
| | X_1 | 6 | 8 | Input | Subclock: These pins connect to a 32.768-kHz crystal oscillator. See section 4, Clock Pulse Generators, for a typical connection diagram. |
| | X_2 | 5 | 7 | Output | |
| System control | RES | 10 | 12 | Input | Reset: When this pin is driven low, the chip is reset |
| | TEST | 4 | 6 | Input | Test: This is a test pin, not for use in application systems. It should be connected to V_{SS} . |

Table 1-2 Pin Functions (cont)

| Type | Symbol | Pin No. | | I/O | Name and Functions |
|--|---|-------------|-------------|--------|---|
| | | TFP-80F | FP-80B | | |
| Interrupt pins <small>www.DataSheet4U.com</small> | NMI | 11 | 13 | Input | Nonmaskable interrupt: This is an input pin for an edge-sensitive nonmaskable interrupt, with a selection of rising or falling edge. |
| | $\overline{\text{IRQ}}_0$ | 20 | 22 | Input | IRQ interrupt request 0 to 3: These are input pins for edge-sensitive external interrupts, with a selection of rising or falling edge. |
| | $\overline{\text{IRQ}}_1$ | 67 | 69 | | |
| | $\overline{\text{IRQ}}_2$ | 68 | 70 | | |
| | $\overline{\text{IRQ}}_3$ | 69 | 71 | | |
| | $\overline{\text{INT}}_7$ to $\overline{\text{INT}}_0$ | 28 to 21 | 30 to 23 | Input | INT interrupt request 0 to 7: These are input pins for edge-sensitive external interrupts, with a selection of rising or falling edge. |
| Timer pins | TMOW | 62 | 64 | Output | Clock output: This is an output pin for waveforms generated by the timer A output circuit |
| | TMIB | 27 | 29 | Input | Timer B1 event counter input: This is an event input pin for input to the timer B1 counter |
| | TMIC | 65 | 67 | Input | Timer C event counter input: This is an event input pin for input to the timer C counter |
| | UD | 64 | 66 | Input | Timer C up/down select: This pin selects whether timer C counts up or down. High input selects up-counting. Low input selects down-counting. |
| | TMOE | 63 | 65 | Output | Timer E output: This is an output pin for a square wave generated by counter overflow in timer E |
| | TMOV | 43 | 45 | Output | Timer V output: This is an output pin for waveforms generated by the timer V output compare function |
| | TMCIV | 42 | 44 | Input | Timer V event input: This is an event input pin for input to the timer V counter |
| | TMRIV | 41 | 43 | Input | Timer V counter reset: This is a counter reset input pin for timer V |

Table 1-2 Pin Functions (cont)

| Type | Symbol | Pin No. | | I/O | Name and Functions |
|--|------------------------------------|------------------|------------------|--------|--|
| | | TFP-80F | FP-80B | | |
| Timer pins www.DataSheet4U.com | TRGV | 69 | 71 | Input | Timer V counter trigger input: This is a trigger input pin for the timer V counter and realtime output port. |
| | FTCI | 45 | 47 | Input | Timer X clock input: This is an external clock input pin for input to the timer X counter |
| | FTOA | 46 | 48 | Output | Timer X output compare A output: This is an output pin for timer X output compare A |
| | FTOB | 47 | 49 | Output | Timer X output compare B output: This is an output pin for timer X output compare B |
| | FTIA | 48 | 50 | Input | Timer X input capture A input: This is an input pin for timer X input capture A |
| | FTIB | 49 | 51 | Input | Timer X input capture B input: This is an input pin for timer X input capture B |
| | FTIC | 50 | 52 | Input | Timer X input capture C input: This is an input pin for timer X input capture C |
| | FTID | 51 | 53 | Input | Timer X input capture D input: This is an input pin for timer X input capture D |
| | TMIY | 28 | 30 | Input | Timer Y clock input: This is an external clock input pin for input to the timer Y counter |
| 14-bit PWM pin | PWM | 66 | 68 | Output | 14-bit PWM output: This is an output pin for waveforms generated by the 14-bit PWM |
| I/O ports | PB ₇ to PB ₀ | 75 to 80, 1 to 2 | 77 to 80, 1 to 4 | Input | Port B: This is an 8-bit input port |
| | PC ₃ to PC ₀ | 71 to 74 | 73 to 76 | Input | Port C: This is a 4-bit input port |
| | P1 ₇ to P1 ₀ | 69 to 62 | 71 to 64 | I/O | Port 1: This is an 8-bit I/O port. Input or output can be designated for each bit by means of port control register 1 (PCR1). |
| | P3 ₇ to P3 ₀ | 53 to 60 | 55 to 62 | I/O | Port 3: This is an 8-bit I/O port. Input or output can be designated for each bit by means of port control register 3 (PCR3). |

Table 1-2 Pin Functions (cont)

| Type | Symbol | Pin No. | | I/O | Name and Functions | |
|------------------|---------------------------------------|-----------------|-------------|--------|--|--|
| | | TFP-80F | FP-80B | | | |
| I/O ports | P4 ₇ to P4 ₀ | 19 to 12 | 21 to 14 | I/O | Port 4: This is an 8-bit I/O port. Input or output can be designated for each pin by means of port control register 4 (PCR4). | |
| | P5 ₇ to P5 ₀ | 28 to 21 | 30 to 23 | I/O | Port 5: This is an 8-bit I/O port. Input or output can be designated for each bit by means of port control register 5 (PCR5). | |
| | P6 ₇ to P6 ₀ | 36 to 29 | 38 to 31 | I/O | Port 6: This is an 8-bit I/O port. Input or output can be designated for each bit by means of port control register 6 (PCR6). | |
| | RP ₇ to RP ₀ | 36 to 29 | 38 to 31 | Output | Port 6: This is an 8-bit realtime output port | |
| | P7 ₇ to P7 ₀ | 44 to 37 | 46 to 39 | I/O | Port 7: This is an 8-bit I/O port. Input or output can be designated for each bit by means of port control register 7 (PCR7). | |
| | P8 ₇ to P8 ₀ | 52 to 45 | 54 to 47 | I/O | Port 8: This is an 8-bit I/O port. Input or output can be designated for each bit by means of port control register 8 (PCR8). | |
| | Serial communication interface (SCI) | SI ₁ | 59 | 61 | Input | SCI1 receive data input: This is the SCI1 data input pin |
| | | SO ₁ | 58 | 60 | Output | SCI1 send data output: This is the SCI1 data output pin |
| SCK ₁ | | 60 | 62 | I/O | SCI1 clock I/O : This is the SCI1 clock I/O pin | |
| SI ₂ | | 56 | 58 | Input | SCI2 receive data input: This is the SCI2 data input pin | |
| SO ₂ | | 55 | 57 | Output | SCI2 send data output: This is the SCI2 data output pin | |
| SCK ₂ | | 57 | 59 | I/O | SCI2 clock I/O : This is the SCI2 clock I/O pin | |
| CS | | 53 | 55 | Input | SCI2 chip select input: This pin controls the start of SCI2 transfers | |
| STRB | | 54 | 56 | Output | SCI2 strobe output: This pin outputs a strobe pulse each time a byte of data is transferred | |

Table 1-2 Pin Functions (cont)

| Type | Symbol | Pin No. | | I/O | Name and Functions |
|---------------|---------------------------------------|---------------------|---------------------|--------|--|
| | | TFP-80F | FP-80B | | |
| A/D converter | AN ₇ to AN ₀ | 79 to 80, 1 to 2 | 77 to 80, 1 to 4 | Input | Analog input channels 7 to 0: These are analog data input channels to the A/D converter |
| | ADTRG | 26 | 28 | Input | A/D converter trigger input: This is the external trigger input pin to the A/D converter |
| D/A converter | DA ₃ to DA ₀ | 71 to 74 | 73 to 76 | Output | Analog output channels 3 to 0: These are analog data output channels from the D/A converter |

Section 2 CPU

2.1 Overview

The H8/300L CPU has sixteen 8-bit general registers, which can also be paired as eight 16-bit registers. Its concise instruction set is designed for high-speed operation.

2.1.1 Features

Features of the H8/300L CPU are listed below.

- General-register architecture
Sixteen 8-bit general registers, also usable as eight 16-bit general registers
- Instruction set with 55 basic instructions, including:
 - Multiply and divide instructions
 - Powerful bit-manipulation instructions
- Eight addressing modes
 - Register direct
 - Register indirect
 - Register indirect with displacement
 - Register indirect with post-increment or pre-decrement
 - Absolute address
 - Immediate
 - Program-counter relative
 - Memory indirect
- 64-kbyte address space
- High-speed operation
 - All frequently used instructions are executed in two to four states
 - High-speed arithmetic and logic operations
 - 8- or 16-bit register-register add or subtract: 0.4 μ s*
 - 8 \times 8-bit multiply: 2.8 μ s*
 - 16 \div 8-bit divide: 2.8 μ s*
- Low-power operation modes
SLEEP instruction for transfer to low-power operation

Note: * These values are at $\phi = 5$ MHz.

2.1.2 Address Space

The H8/300L CPU supports an address space of up to 64 kbytes for storing program code and data.

See 2.8, Memory Map, for details of the memory map.

2.1.3 Register Configuration

Figure 2-1 shows the register structure of the H8/300L CPU. There are two groups of registers: the general registers and control registers.

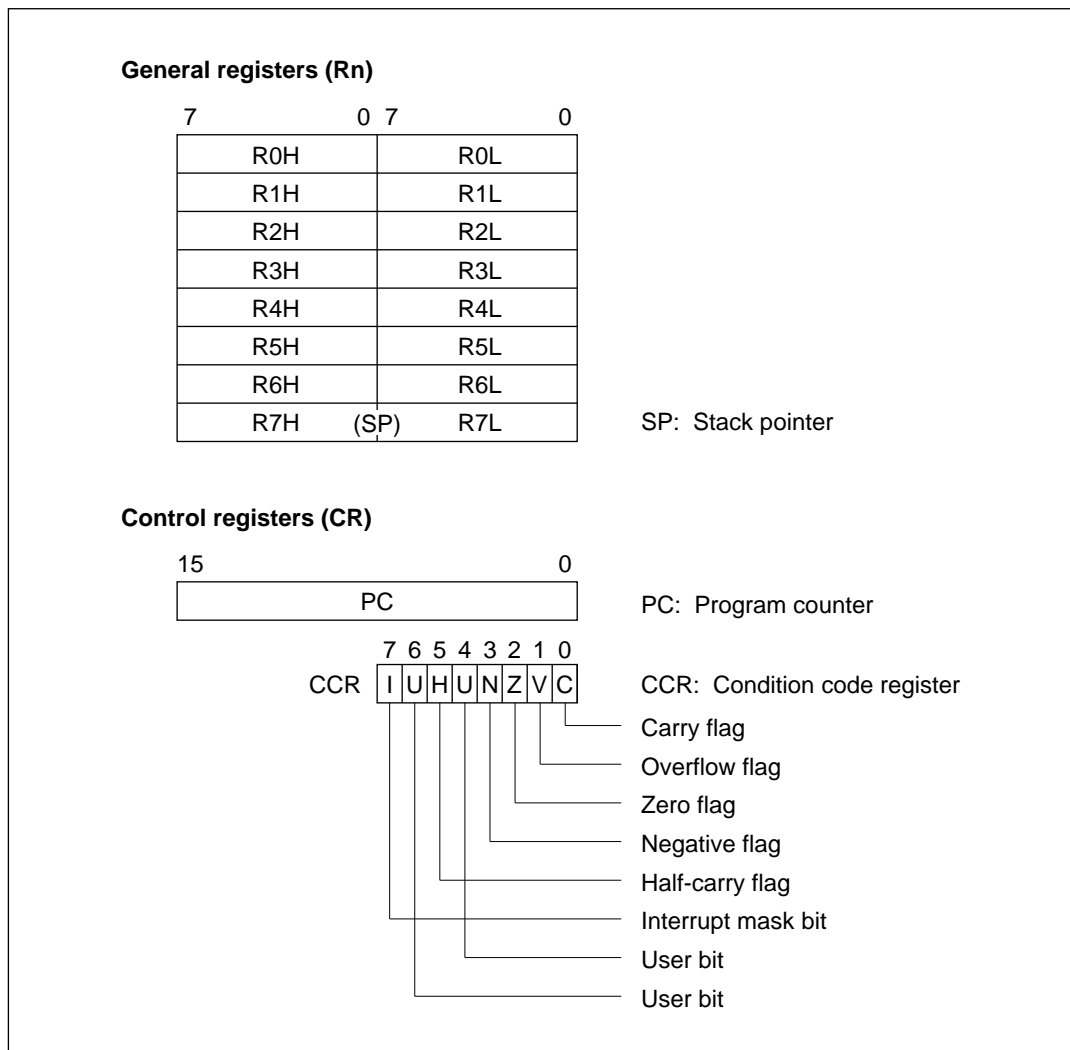


Figure 2-1 CPU Registers

2.2 Register Descriptions

2.2.1 General Registers

All the general registers can be used as both data registers and address registers.

When used as data registers, they can be accessed as 16-bit registers (R0 to R7), or the high bytes (R0H to R7H) and low bytes (R0L to R7L) can be accessed separately as 8-bit registers.

When used as address registers, the general registers are accessed as 16-bit registers (R0 to R7).

R7 also functions as the stack pointer (SP), used implicitly by hardware in exception processing and subroutine calls. When it functions as the stack pointer, as indicated in figure 2-2, SP (R7) points to the top of the stack.

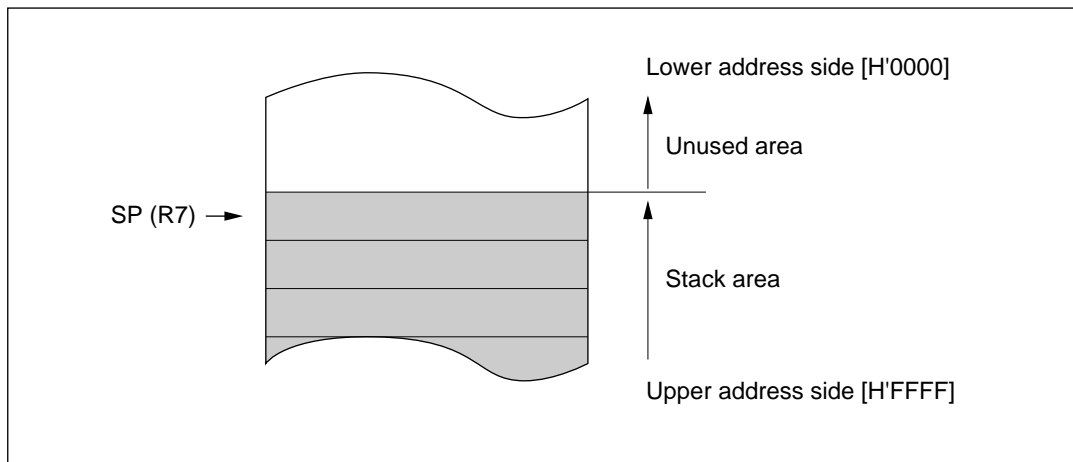


Figure 2-2 Stack Pointer

2.2.2 Control Registers

The CPU control registers include a 16-bit program counter (PC) and an 8-bit condition code register (CCR).

Program Counter (PC): This 16-bit register indicates the address of the next instruction the CPU will execute. All instructions are fetched 16 bits (1 word) at a time, so the least significant bit of the PC is ignored (always regarded as 0).

Condition Code Register (CCR): This 8-bit register contains internal status information, including the interrupt mask bit (I) and half-carry (H), negative (N), zero (Z), overflow (V), and carry (C) flags. These bits can be read and written by software (using the LDC, STC, ANDC, ORC, and XORC instructions). The N, Z, V, and C flags are used as branching conditions for conditional branching (Bcc) instructions.

Bit 7—Interrupt Mask Bit (I): When this bit is set to 1, interrupts are masked. This bit is set to 1 automatically at the start of exception handling. The interrupt mask bit may be read and written by software. For further details, see section 3.3, Interrupts.

Bit 6—User Bit (U): Can be used freely by the user.

Bit 5—Half-Carry Flag (H): When the ADD.B, ADDX.B, SUB.B, SUBX.B, CMP.B, or NEG.B instruction is executed, this flag is set to 1 if there is a carry or borrow at bit 3, and is cleared to 0 otherwise.

The H flag is used implicitly by the DAA and DAS instructions.

When the ADD.W, SUB.W, or CMP.W instruction is executed, the H flag is set to 1 if there is a carry or borrow at bit 11, and is cleared to 0 otherwise.

Bit 4—User Bit (U): Can be used freely by the user.

Bit 3—Negative Flag (N): Indicates the most significant bit (sign bit) of the result of an instruction.

Bit 2—Zero Flag (Z): Set to 1 to indicate a zero result, and cleared to 0 to indicate a non-zero result.

Bit 1—Overflow Flag (V): Set to 1 when an arithmetic overflow occurs, and cleared to 0 at other times.

Bit 0—Carry Flag (C): Set to 1 when a carry occurs, and cleared to 0 otherwise. Used by:

- Add instructions, to indicate a carry
- Subtract instructions, to indicate a borrow
- Shift and rotate instructions, to store the value shifted out of the end bit

The carry flag is also used as a bit accumulator by bit manipulation instructions.

Some instructions leave some or all of the flag bits unchanged.

Refer to the *H8/300L Series Programming Manual* for the action of each instruction on the flag bits.

2.2.3 Initial Register Values

When the CPU is reset, the program counter (PC) is initialized to the value stored at address H'0000 in the vector table, and the I bit in the CCR is set to 1. The other CCR bits and the general registers are not initialized. In particular, the stack pointer (R7) is not initialized. The stack pointer should be initialized by software, by the first instruction executed after a reset.

www.DataSheet4U.com

2.3 Data Formats

The H8/300L CPU can process 1-bit data, 4-bit (BCD) data, 8-bit (byte) data, and 16-bit (word) data.

- Bit manipulation instructions operate on 1-bit data specified as bit n in a byte operand ($n = 0, 1, 2, \dots, 7$).
- All arithmetic and logic instructions except ADDS and SUBS can operate on byte data.
- The MOV.W, ADD.W, SUB.W, CMP.W, ADDS, SUBS, MULXU (8 bits \times 8 bits), and DIVXU (16 bits \div 8 bits) instructions operate on word data.
- The DAA and DAS instructions perform decimal arithmetic adjustments on byte data in packed BCD form. Each nibble of the byte is treated as a decimal digit.

2.3.1 Data Formats in General Registers

Data of all the sizes above can be stored in general registers as shown in figure 2-3.

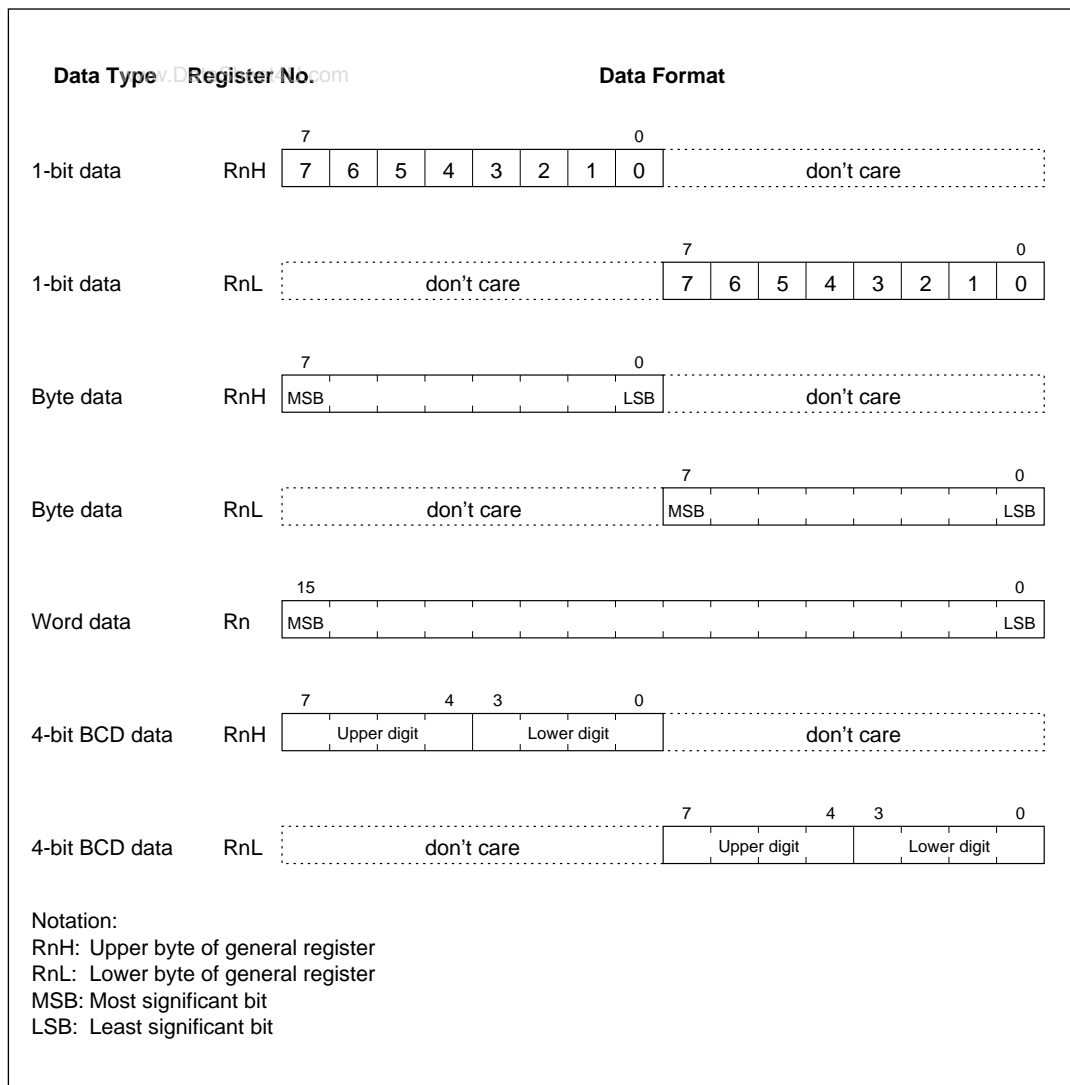


Figure 2-3 Register Data Formats

2.3.2 Memory Data Formats

Figure 2-4 indicates the data formats in memory. For access by the H8/300L CPU, word data stored in memory must always begin at an even address. In word access the least significant bit of the address is regarded as 0. If an odd address is specified, the access is performed at the preceding even address. This rule affects the MOV.W instruction, and also applies to instruction fetching.

www.DataSheet4U.com

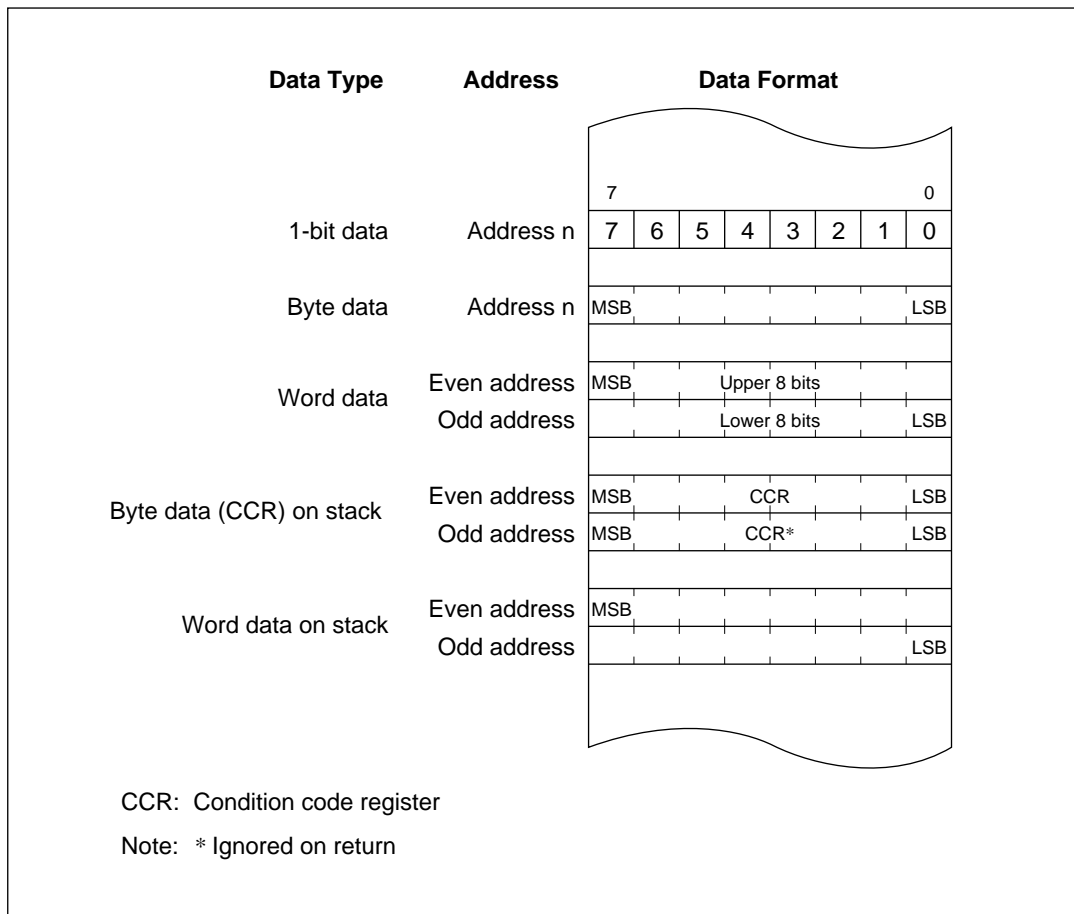


Figure 2-4 Memory Data Formats

When the stack is accessed using R7 as an address register, word access should always be performed. When the CCR is pushed on the stack, two identical copies of the CCR are pushed to make a complete word. When they are restored, the lower byte is ignored.

2.4 Addressing Modes

2.4.1 Addressing Modes

The H8/300L CPU supports the eight addressing modes listed in table 2-1. Each instruction uses a subset of these addressing modes.

www.DataSheet4U.com

Table 2-1 Addressing Modes

| No. | Address Modes | Symbol |
|-----|---|-----------------|
| 1 | Register direct | Rn |
| 2 | Register indirect | @Rn |
| 3 | Register indirect with displacement | @(d:16, Rn) |
| 4 | Register indirect with post-increment Register indirect with pre-decrement | @Rn+ @-Rn |
| 5 | Absolute address | @aa:8 or @aa:16 |
| 6 | Immediate | #xx:8 or #xx:16 |
| 7 | Program-counter relative | @(d:8, PC) |
| 8 | Memory indirect | @@aa:8 |

1. **Register Direct—Rn:** The register field of the instruction specifies an 8- or 16-bit general register containing the operand.

Only the MOV.W, ADD.W, SUB.W, CMP.W, ADDS, SUBS, MULXU (8 bits × 8 bits), and DIVXU (16 bits ÷ 8 bits) instructions have 16-bit operands.

2. **Register Indirect—@Rn:** The register field of the instruction specifies a 16-bit general register containing the address of the operand in memory.
3. **Register Indirect with Displacement—@(d:16, Rn):** The instruction has a second word (bytes 3 and 4) containing a displacement which is added to the contents of the specified general register to obtain the operand address in memory.

This mode is used only in MOV instructions. For the MOV.W instruction, the resulting address must be even.

4. Register Indirect with Post-Increment or Pre-Decrement—@Rn+ or @-Rn:

- Register indirect with post-increment—@Rn+

The @Rn+ mode is used with MOV instructions that load registers from memory.

The register field of the instruction specifies a 16-bit general register containing the address of the operand. After the operand is accessed, the register is incremented by 1 for MOV.B or 2 for MOV.W. For MOV.W, the original contents of the 16-bit general register must be even.

- Register indirect with pre-decrement—@-Rn

The @-Rn mode is used with MOV instructions that store register contents to memory.

The register field of the instruction specifies a 16-bit general register which is decremented by 1 or 2 to obtain the address of the operand in memory. The register retains the decremented value. The size of the decrement is 1 for MOV.B or 2 for MOV.W. For MOV.W, the original contents of the register must be even.

5. Absolute Address—@aa:8 or @aa:16: The instruction specifies the absolute address of the operand in memory.

The absolute address may be 8 bits long (@aa:8) or 16 bits long (@aa:16). The MOV.B and bit manipulation instructions can use 8-bit absolute addresses. The MOV.B, MOV.W, JMP, and JSR instructions can use 16-bit absolute addresses.

For an 8-bit absolute address, the upper 8 bits are assumed to be 1 (H'FF). The address range is H'FF00 to H'FFFF (65280 to 65535).

6. Immediate—#xx:8 or #xx:16: The instruction contains an 8-bit operand (#xx:8) in its second byte, or a 16-bit operand (#xx:16) in its third and fourth bytes. Only MOV.W instructions can contain 16-bit immediate values.

The ADDS and SUBS instructions implicitly contain the value 1 or 2 as immediate data. Some bit manipulation instructions contain 3-bit immediate data in the second or fourth byte of the instruction, specifying a bit number.

7. Program-Counter Relative—@(d:8, PC): This mode is used in the Bcc and BSR instructions. An 8-bit displacement in byte 2 of the instruction code is sign-extended to 16 bits and added to the program counter contents to generate a branch destination address. The possible branching range is -126 to +128 bytes (-63 to +64 words) from the current address. The displacement should be an even number.

- 8. Memory Indirect—@@aa:8:** This mode can be used by the JMP and JSR instructions. The second byte of the instruction code specifies an 8-bit absolute address. The word located at this address contains the branch destination address.

The upper 8 bits of the absolute address are assumed to be 0 (H'00), so the address range is from H'0000 to H'00FF (0 to 255). Note that with the H8/300L Series, the lower end of the address area is also used as a vector area. See 3.3, Interrupts, for details on the vector area.

If an odd address is specified as a branch destination or as the operand address of a MOV.W instruction, the least significant bit is regarded as 0, causing word access to be performed at the address preceding the specified address. See 2.3.2, Memory Data Formats, for further information.

2.4.2 Effective Address Calculation

Table 2-2 shows how effective addresses are calculated in each of the addressing modes.

Arithmetic and logic instructions use register direct addressing (1). The ADD.B, ADDX, SUBX, CMP.B, AND, OR, and XOR instructions can also use immediate addressing (6).

Data transfer instructions can use all addressing modes except program-counter relative (7) and memory indirect (8).

Bit manipulation instructions use register direct (1), register indirect (2), or absolute addressing (5) to specify a byte operand, and 3-bit immediate addressing (6) to specify a bit position in that byte. The BSET, BCLR, BNOT, and BTST instructions can also use register direct addressing (1) to specify the bit position.

Table 2-2 Effective Address Calculation

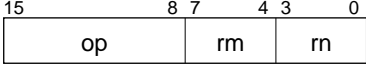
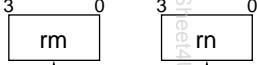
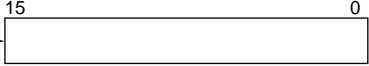
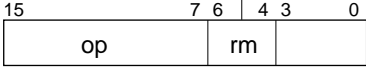
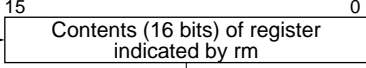
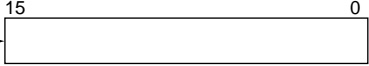
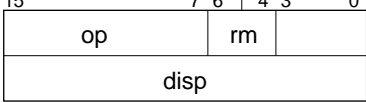
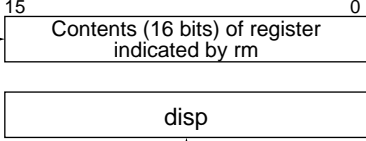
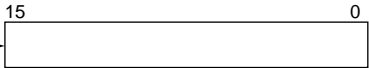
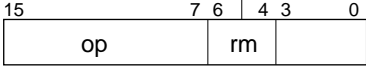
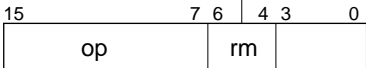
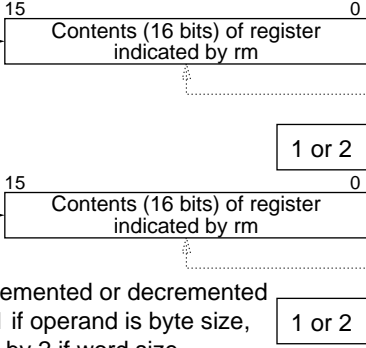
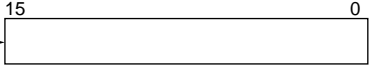

| No. | Addressing Mode and Instruction Format | Effective Address Calculation Method | Effective Address (EA) |
|-----|---|---|---|
| 1 | Register direct, Rn  | Operand is contents of registers indicated by rm/rn  |  |
| 2 | Register indirect, @Rn  |  |  |
| 3 | Register indirect with displacement, @(d:16, Rn)  |  |  |
| 4 | Register indirect with post-increment, @Rn+  Register indirect with pre-decrement, @-Rn  |  <p>Incremented or decremented by 1 if operand is byte size, and by 2 if word size</p> |   |

Table 2-2 Effective Address Calculation (cont)

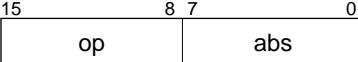
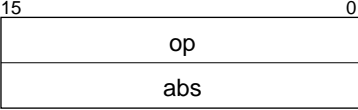
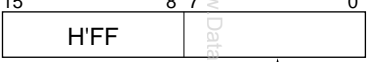

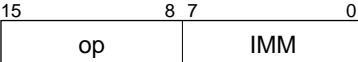
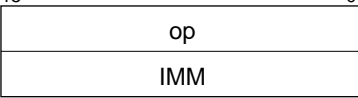
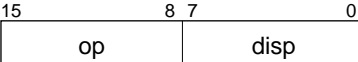
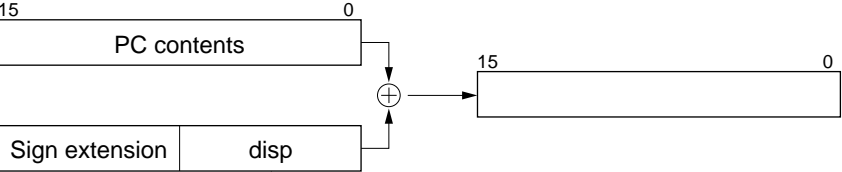

| No. | Addressing Mode and Instruction Format | Effective Address Calculation Method | Effective Address (EA) |
|-----|--|--|---|
| 5 | <p>Absolute address</p> <p>@aa:8</p>  <p>@aa:16</p>  | <p>Effective Address Calculation Method</p> <p>For @aa:8, the 'abs' field is used directly as the EA.</p> <p>For @aa:16, the 'abs' field is sign-extended to 16 bits to form the EA.</p> | <p>Effective Address (EA)</p>   |
| 6 | <p>Immediate</p> <p>#xx:8</p>  <p>#xx:16</p>  | <p>Effective Address Calculation Method</p> <p>The immediate value is used directly as the EA.</p> | <p>Effective Address (EA)</p> <p>Operand is 1- or 2-byte immediate data</p> |
| 7 | <p>Program-counter relative</p> <p>@(d:8, PC)</p>  | <p>Effective Address Calculation Method</p>  | <p>Effective Address (EA)</p>  |

Table 2-2 Effective Address Calculation (cont)

| No. | Addressing Mode and Instruction Format | Effective Address Calculation Method | Effective Address (EA) |
|-----|--|--------------------------------------|------------------------|
| 8 | Memory indirect, @@aa:8 | | |

Notation:

rm, rn: Register field

op: Operation field

disp: Displacement

IMM: Immediate data

abs: Absolute address

2.5 Instruction Set

The H8/300L Series can use a total of 55 instructions, which are grouped by function in table 2-3.

Table 2-3 Instruction Set

| Function | Instructions | Number |
|-----------------------|--|-----------|
| Data transfer | MOV, PUSH*1, POP*1 | 1 |
| Arithmetic operations | ADD, SUB, ADDX, SUBX, INC, DEC, ADDS, SUBS, DAA, DAS, MULXU, DIVXU, CMP, NEG | 14 |
| Logic operations | AND, OR, XOR, NOT | 4 |
| Shift | SHAL, SHAR, SHLL, SHLR, ROTL, ROTR, ROTXL, ROTXR | 8 |
| Bit manipulation | BSET, BCLR, BNOT, BTST, BAND, BIAN, BOR, BIOR, BXOR, BIXOR, BLD, BILD, BST, BIST | 14 |
| Branch | Bcc*2, JMP, BSR, JSR, RTS | 5 |
| System control | RTE, SLEEP, LDC, STC, ANDC, ORC, XORC, NOP | 8 |
| Block data transfer | EEPMOV | 1 |
| | | Total: 55 |

Notes: 1. PUSH Rn is equivalent to MOV.W Rn, @-SP.

POP Rn is equivalent to MOV.W @SP+, Rn.

2. Bcc is a conditional branch instruction in which cc represents a condition code.

The following sections give a concise summary of the instructions in each category, and indicate the bit patterns of their object code. The notation used is defined next.

Notation

| | |
|--------------|--|
| Rd | General register (destination) |
| Rs | General register (source) |
| Rn | General register |
| (EAd), <EAd> | Destination operand |
| (EAs), <EAs> | Source operand |
| CCR | Condition code register |
| N | N (negative) flag of CCR |
| Z | Z (zero) flag of CCR |
| V | V (overflow) flag of CCR |
| C | C (carry) flag of CCR |
| PC | Program counter |
| SP | Stack pointer |
| #IMM | Immediate data |
| disp | Displacement |
| + | Addition |
| - | Subtraction |
| × | Multiplication |
| ÷ | Division |
| ^ | AND logical |
| ∨ | OR logical |
| ⊕ | Exclusive OR logical |
| → | Move |
| ~ | Logical negation (logical complement) |
| :3 | 3-bit length |
| :8 | 8-bit length |
| :16 | 16-bit length |
| (), < > | Contents of operand indicated by effective address |

2.5.1 Data Transfer Instructions

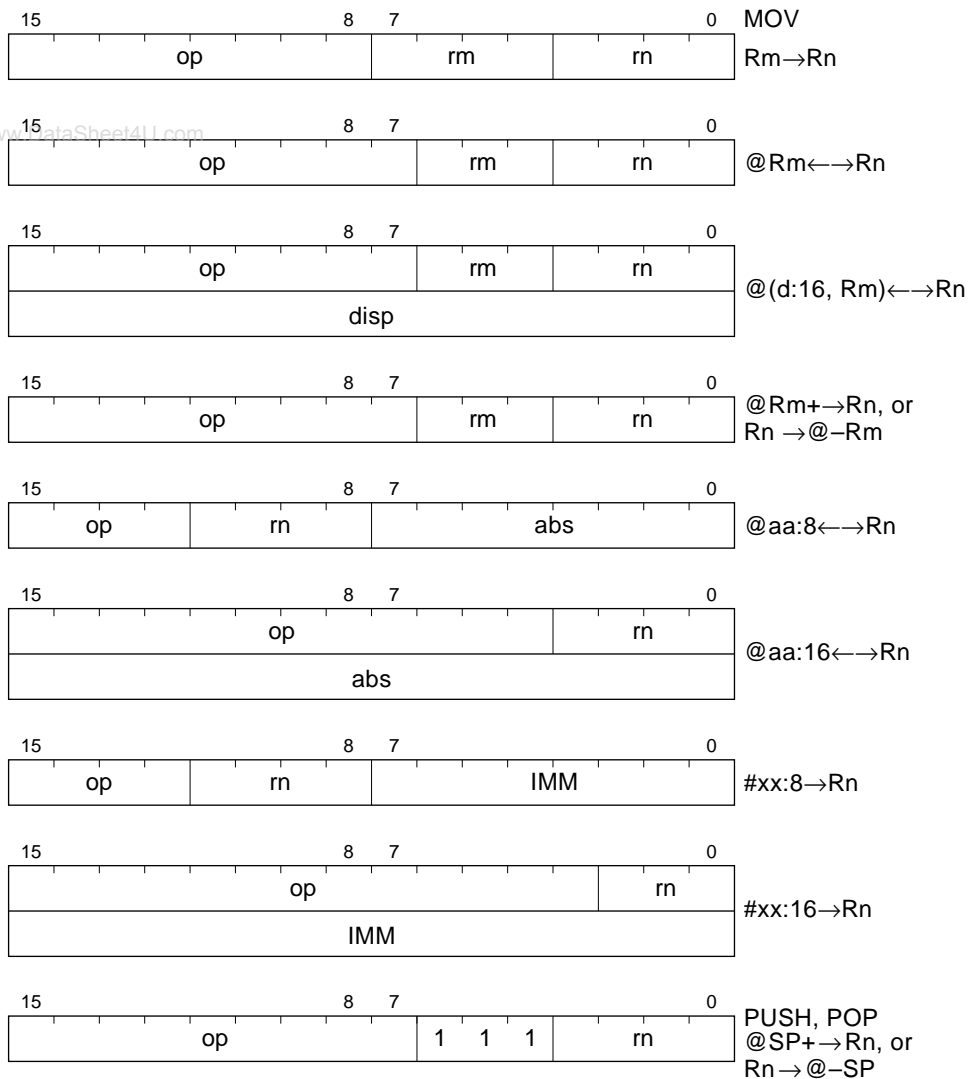
Table 2-4 describes the data transfer instructions. Figure 2-5 shows their object code formats.

Table 2-4 Data Transfer Instructions

| Instruction | Size* | Function |
|--------------------|--------------|--|
| MOV | B/W | (EAs) → Rd, Rs → (EAd) Moves data between two general registers or between a general register and memory, or moves immediate data to a general register. The Rn, @Rn, @(d:16, Rn), @aa:16, #xx:16, @-Rn, and @Rn+ addressing modes are available for byte or word data. The @aa:8 addressing mode is available for byte data only. The @-R7 and @R7+ modes require word operands. Do not specify byte size for these two modes. |
| POP | W | @SP+ → Rn Pops a 16-bit general register from the stack. Equivalent to MOV.W @SP+, Rn. |
| PUSH | W | Rn → @-SP Pushes a 16-bit general register onto the stack. Equivalent to MOV.W Rn, @-SP. |

Notes: * Size: Operand size
B: Byte
W: Word

Certain precautions are required in data access. See 2.9.1, Notes on Data Access, for details.



Notation:

- op: Operation field
- rm, rn: Register field
- disp: Displacement
- abs: Absolute address
- IMM: Immediate data

Figure 2-5 Data Transfer Instruction Codes

2.5.2 Arithmetic Operations

Table 2-5 describes the arithmetic instructions.

Table 2-5 Arithmetic Instructions

| Instruction | Size* | Function |
|--------------|-------|---|
| ADD SUB | B/W | $Rd \pm Rs \rightarrow Rd$, $Rd + \#IMM \rightarrow Rd$ Performs addition or subtraction on data in two general registers, or addition on immediate data and data in a general register. Immediate data cannot be subtracted from data in a general register. Word data can be added or subtracted only when both words are in general registers. |
| ADDX SUBX | B | $Rd \pm Rs \pm C \rightarrow Rd$, $Rd \pm \#IMM \pm C \rightarrow Rd$ Performs addition or subtraction with carry or borrow on byte data in two general registers, or addition or subtraction on immediate data and data in a general register. |
| INC DEC | B | $Rd \pm 1 \rightarrow Rd$ Increments or decrements a general register |
| ADDS SUBS | W | $Rd \pm 1 \rightarrow Rd$, $Rd \pm 2 \rightarrow Rd$ Adds or subtracts 1 or 2 to or from a general register |
| DAA DAS | B | Rd decimal adjust $\rightarrow Rd$ Decimal-adjusts (adjusts to packed BCD) an addition or subtraction result in a general register by referring to the CCR |
| MULXU | B | $Rd \times Rs \rightarrow Rd$ Performs 8-bit \times 8-bit unsigned multiplication on data in two general registers, providing a 16-bit result |
| DIVXU | B | $Rd \div Rs \rightarrow Rd$ Performs 16-bit \div 8-bit unsigned division on data in two general registers, providing an 8-bit quotient and 8-bit remainder |
| CMP | B/W | $Rd - Rs$, $Rd - \#IMM$ Compares data in a general register with data in another general register or with immediate data, and indicates the result in the CCR. Word data can be compared only between two general registers. |
| NEG | B | $0 - Rd \rightarrow Rd$ Obtains the two's complement (arithmetic complement) of data in a general register |

Notes: * Size: Operand size
 B: Byte
 W: Word

2.5.3 Logic Operations

Table 2-6 describes the four instructions that perform logic operations.

Table 2-6 Logic Operation Instructions

| Instruction | Size* | Function |
|-------------|-------|--|
| AND | B | $Rd \wedge Rs \rightarrow Rd$, $Rd \wedge \#IMM \rightarrow Rd$ Performs a logical AND operation on a general register and another general register or immediate data |
| OR | B | $Rd \vee Rs \rightarrow Rd$, $Rd \vee \#IMM \rightarrow Rd$ Performs a logical OR operation on a general register and another general register or immediate data |
| XOR | B | $Rd \oplus Rs \rightarrow Rd$, $Rd \oplus \#IMM \rightarrow Rd$ Performs a logical exclusive OR operation on a general register and another general register or immediate data |
| NOT | B | $\sim Rd \rightarrow Rd$ Obtains the one's complement (logical complement) of general register contents |

Notes: * Size: Operand size
B: Byte

2.5.4 Shift Operations

Table 2-7 describes the eight shift instructions.

Table 2-7 Shift Instructions

| Instruction | Size* | Function |
|----------------|-------|---|
| SHAL SHAR | B | $Rd \text{ shift} \rightarrow Rd$ Performs an arithmetic shift operation on general register contents |
| SHLL SHLR | B | $Rd \text{ shift} \rightarrow Rd$ Performs a logical shift operation on general register contents |
| ROTL ROTR | B | $Rd \text{ rotate} \rightarrow Rd$ Rotates general register contents |
| ROTXL ROTXR | B | $Rd \text{ rotate through carry} \rightarrow Rd$ Rotates general register contents through the C (carry) bit |

Notes: * Size: Operand size
B: Byte

Figure 2-6 shows the instruction code format of arithmetic, logic, and shift instructions.

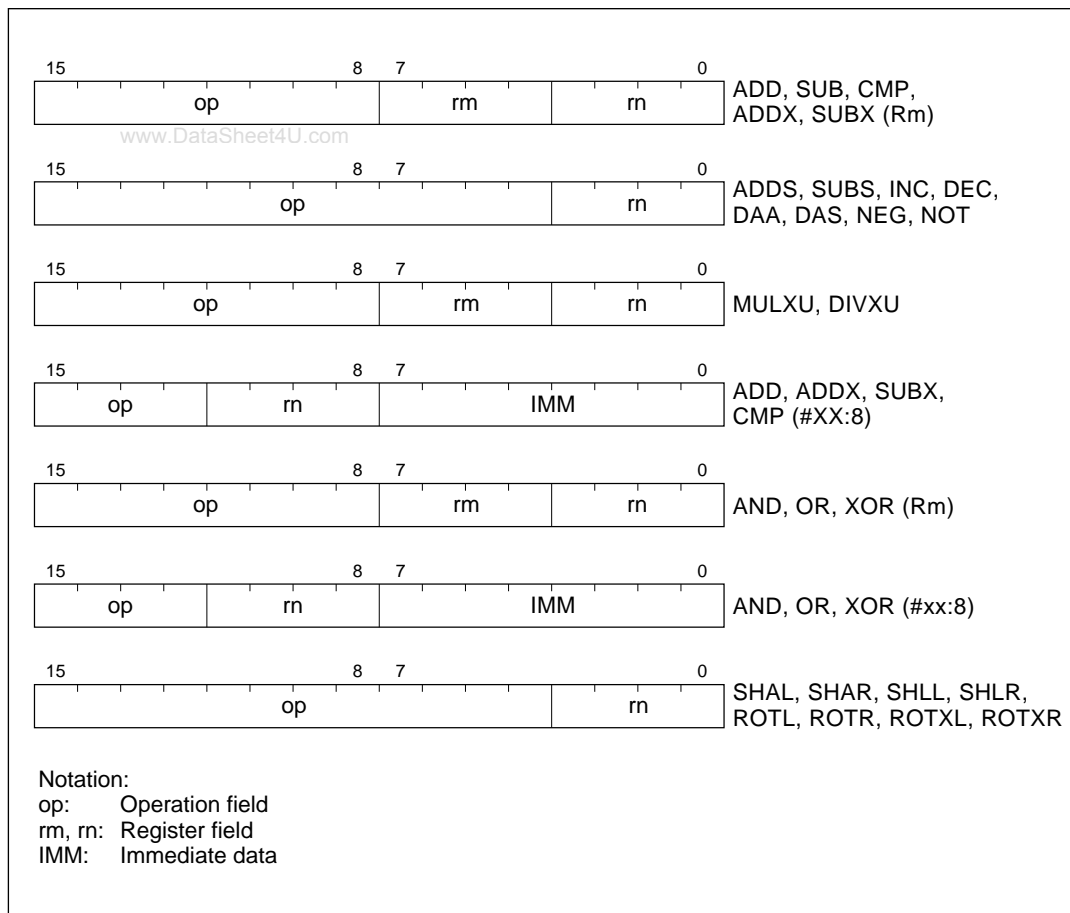


Figure 2-6 Arithmetic, Logic, and Shift Instruction Codes

2.5.5 Bit Manipulations

Table 2-8 describes the bit-manipulation instructions. Figure 2-7 shows their object code formats.

Table 2-8 Bit-Manipulation Instructions

| Instruction | Size* | Function |
|-------------|-------|---|
| BSET | B | $1 \rightarrow (\text{<bit-No.> of <EAd>})$ Sets a specified bit in a general register or memory to 1. The bit number is specified by 3-bit immediate data or the lower three bits of a general register. |
| BCLR | B | $0 \rightarrow (\text{<bit-No.> of <EAd>})$ Clears a specified bit in a general register or memory to 0. The bit number is specified by 3-bit immediate data or the lower three bits of a general register. |
| BNOT | B | $\sim (\text{<bit-No.> of <EAd>}) \rightarrow (\text{<bit-No.> of <EAd>})$ Inverts a specified bit in a general register or memory. The bit number is specified by 3-bit immediate data or the lower three bits of a general register. |
| BTST | B | $\sim (\text{<bit-No.> of <EAd>}) \rightarrow Z$ Tests a specified bit in a general register or memory and sets or clears the Z flag accordingly. The bit number is specified by 3-bit immediate data or the lower three bits of a general register. |
| BAND | B | $C \wedge (\text{<bit-No.> of <EAd>}) \rightarrow C$ ANDs the C flag with a specified bit in a general register or memory, and stores the result in the C flag. |
| BIAND | B | $C \wedge [\sim (\text{<bit-No.> of <EAd>})] \rightarrow C$ ANDs the C flag with the inverse of a specified bit in a general register or memory, and stores the result in the C flag. The bit number is specified by 3-bit immediate data. |
| BOR | B | $C \vee (\text{<bit-No.> of <EAd>}) \rightarrow C$ ORs the C flag with a specified bit in a general register or memory, and stores the result in the C flag. |
| BIOR | B | $C \vee [\sim (\text{<bit-No.> of <EAd>})] \rightarrow C$ ORs the C flag with the inverse of a specified bit in a general register or memory, and stores the result in the C flag. The bit number is specified by 3-bit immediate data. |

Notes: * Size: Operand size

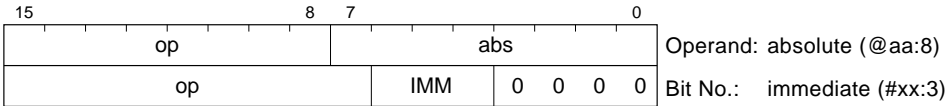
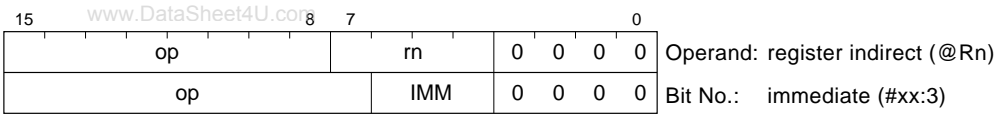
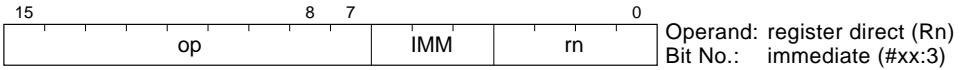
B: Byte

Table 2-8 Bit-Manipulation Instructions (cont)

| Instruction | Size* | Function |
|--------------------|--------------|--|
| BXOR | B | $C \oplus$ (<bit-No.> of <EAd>) \rightarrow C XORs the C flag with a specified bit in a general register or memory, and stores the result in the C flag. |
| BIXOR | B | $C \oplus$ [\sim (<bit-No.> of <EAd>)] \rightarrow C XORs the C flag with the inverse of a specified bit in a general register or memory, and stores the result in the C flag. The bit number is specified by 3-bit immediate data. |
| BLD | B | (<bit-No.> of <EAd>) \rightarrow C Copies a specified bit in a general register or memory to the C flag. |
| BILD | B | \sim (<bit-No.> of <EAd>) \rightarrow C Copies the inverse of a specified bit in a general register or memory to the C flag. The bit number is specified by 3-bit immediate data. |
| BST | B | $C \rightarrow$ (<bit-No.> of <EAd>) Copies the C flag to a specified bit in a general register or memory. |
| BIST | B | $\sim C \rightarrow$ (<bit-No.> of <EAd>) Copies the inverse of the C flag to a specified bit in a general register or memory. The bit number is specified by 3-bit immediate data. |

Notes: * Size: Operand size
B: Byte

Certain precautions are required in bit manipulation. See 2.9.2, Notes on Bit Manipulation, for details.

BIAND, BIOR, BIXOR, BILD, BIST**Notation:**

op: Operation field
 rm, rn: Register field
 abs: Absolute address
 IMM: Immediate data

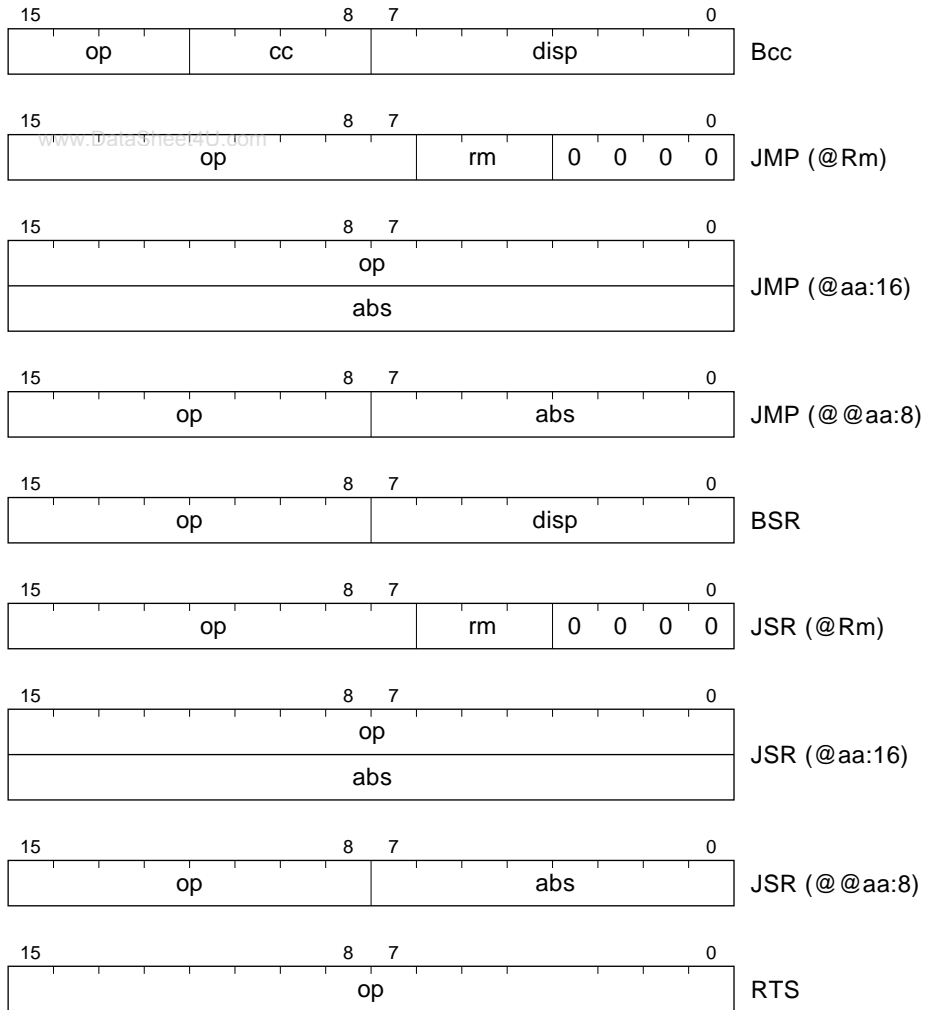
Figure 2-7 Bit Manipulation Instruction Codes (cont)

2.5.6 Branching Instructions

Table 2-9 describes the branching instructions. Figure 2-8 shows their object code formats.

Table 2-9 Branching Instructions

| Instruction | Size | Function | | | | | | | | | | | | | | | | | | | | | | | | | | | | | | | | | | | | | | | | | | | | | | | | | | | |
|--------------------|----------------------------|---|-----------------|--------------------|------------------|----------|---------------|--------|----------|---------------|-------|-----|------|----------------|-----|-------------|----------------|-----------|----------------------------|---------|-----------|-----------------|---------|-----|-----------|---------|-----|-------|---------|-----|----------------|---------|-----|--------------|---------|-----|------|---------|-----|-------|---------|-----|------------------|------------------|-----|-----------|------------------|-----|--------------|---------------------------|-----|---------------|---------------------------|
| Bcc | — | Branches to the designated address if condition cc is true. The branching conditions are given below. | | | | | | | | | | | | | | | | | | | | | | | | | | | | | | | | | | | | | | | | | | | | | | | | | | | |
| | | <table border="1"> <thead> <tr> <th>Mnemonic</th> <th>Description</th> <th>Condition</th> </tr> </thead> <tbody> <tr> <td>BRA (BT)</td> <td>Always (true)</td> <td>Always</td> </tr> <tr> <td>BRN (BF)</td> <td>Never (false)</td> <td>Never</td> </tr> <tr> <td>BHI</td> <td>High</td> <td>$C \vee Z = 0$</td> </tr> <tr> <td>BLS</td> <td>Low or same</td> <td>$C \vee Z = 1$</td> </tr> <tr> <td>BCC (BHS)</td> <td>Carry clear (high or same)</td> <td>$C = 0$</td> </tr> <tr> <td>BCS (BLO)</td> <td>Carry set (low)</td> <td>$C = 1$</td> </tr> <tr> <td>BNE</td> <td>Not equal</td> <td>$Z = 0$</td> </tr> <tr> <td>BEQ</td> <td>Equal</td> <td>$Z = 1$</td> </tr> <tr> <td>BVC</td> <td>Overflow clear</td> <td>$V = 0$</td> </tr> <tr> <td>BVS</td> <td>Overflow set</td> <td>$V = 1$</td> </tr> <tr> <td>BPL</td> <td>Plus</td> <td>$N = 0$</td> </tr> <tr> <td>BMI</td> <td>Minus</td> <td>$N = 1$</td> </tr> <tr> <td>BGE</td> <td>Greater or equal</td> <td>$N \oplus V = 0$</td> </tr> <tr> <td>BLT</td> <td>Less than</td> <td>$N \oplus V = 1$</td> </tr> <tr> <td>BGT</td> <td>Greater than</td> <td>$Z \vee (N \oplus V) = 0$</td> </tr> <tr> <td>BLE</td> <td>Less or equal</td> <td>$Z \vee (N \oplus V) = 1$</td> </tr> </tbody> </table> | Mnemonic | Description | Condition | BRA (BT) | Always (true) | Always | BRN (BF) | Never (false) | Never | BHI | High | $C \vee Z = 0$ | BLS | Low or same | $C \vee Z = 1$ | BCC (BHS) | Carry clear (high or same) | $C = 0$ | BCS (BLO) | Carry set (low) | $C = 1$ | BNE | Not equal | $Z = 0$ | BEQ | Equal | $Z = 1$ | BVC | Overflow clear | $V = 0$ | BVS | Overflow set | $V = 1$ | BPL | Plus | $N = 0$ | BMI | Minus | $N = 1$ | BGE | Greater or equal | $N \oplus V = 0$ | BLT | Less than | $N \oplus V = 1$ | BGT | Greater than | $Z \vee (N \oplus V) = 0$ | BLE | Less or equal | $Z \vee (N \oplus V) = 1$ |
| Mnemonic | Description | Condition | | | | | | | | | | | | | | | | | | | | | | | | | | | | | | | | | | | | | | | | | | | | | | | | | | | |
| BRA (BT) | Always (true) | Always | | | | | | | | | | | | | | | | | | | | | | | | | | | | | | | | | | | | | | | | | | | | | | | | | | | |
| BRN (BF) | Never (false) | Never | | | | | | | | | | | | | | | | | | | | | | | | | | | | | | | | | | | | | | | | | | | | | | | | | | | |
| BHI | High | $C \vee Z = 0$ | | | | | | | | | | | | | | | | | | | | | | | | | | | | | | | | | | | | | | | | | | | | | | | | | | | |
| BLS | Low or same | $C \vee Z = 1$ | | | | | | | | | | | | | | | | | | | | | | | | | | | | | | | | | | | | | | | | | | | | | | | | | | | |
| BCC (BHS) | Carry clear (high or same) | $C = 0$ | | | | | | | | | | | | | | | | | | | | | | | | | | | | | | | | | | | | | | | | | | | | | | | | | | | |
| BCS (BLO) | Carry set (low) | $C = 1$ | | | | | | | | | | | | | | | | | | | | | | | | | | | | | | | | | | | | | | | | | | | | | | | | | | | |
| BNE | Not equal | $Z = 0$ | | | | | | | | | | | | | | | | | | | | | | | | | | | | | | | | | | | | | | | | | | | | | | | | | | | |
| BEQ | Equal | $Z = 1$ | | | | | | | | | | | | | | | | | | | | | | | | | | | | | | | | | | | | | | | | | | | | | | | | | | | |
| BVC | Overflow clear | $V = 0$ | | | | | | | | | | | | | | | | | | | | | | | | | | | | | | | | | | | | | | | | | | | | | | | | | | | |
| BVS | Overflow set | $V = 1$ | | | | | | | | | | | | | | | | | | | | | | | | | | | | | | | | | | | | | | | | | | | | | | | | | | | |
| BPL | Plus | $N = 0$ | | | | | | | | | | | | | | | | | | | | | | | | | | | | | | | | | | | | | | | | | | | | | | | | | | | |
| BMI | Minus | $N = 1$ | | | | | | | | | | | | | | | | | | | | | | | | | | | | | | | | | | | | | | | | | | | | | | | | | | | |
| BGE | Greater or equal | $N \oplus V = 0$ | | | | | | | | | | | | | | | | | | | | | | | | | | | | | | | | | | | | | | | | | | | | | | | | | | | |
| BLT | Less than | $N \oplus V = 1$ | | | | | | | | | | | | | | | | | | | | | | | | | | | | | | | | | | | | | | | | | | | | | | | | | | | |
| BGT | Greater than | $Z \vee (N \oplus V) = 0$ | | | | | | | | | | | | | | | | | | | | | | | | | | | | | | | | | | | | | | | | | | | | | | | | | | | |
| BLE | Less or equal | $Z \vee (N \oplus V) = 1$ | | | | | | | | | | | | | | | | | | | | | | | | | | | | | | | | | | | | | | | | | | | | | | | | | | | |
| JMP | — | Branches unconditionally to a specified address | | | | | | | | | | | | | | | | | | | | | | | | | | | | | | | | | | | | | | | | | | | | | | | | | | | |
| BSR | — | Branches to a subroutine at a specified address | | | | | | | | | | | | | | | | | | | | | | | | | | | | | | | | | | | | | | | | | | | | | | | | | | | |
| JSR | — | Branches to a subroutine at a specified address | | | | | | | | | | | | | | | | | | | | | | | | | | | | | | | | | | | | | | | | | | | | | | | | | | | |
| RTS | — | Returns from a subroutine | | | | | | | | | | | | | | | | | | | | | | | | | | | | | | | | | | | | | | | | | | | | | | | | | | | |



Notation:

- op: Operation field
- cc: Condition field
- rm: Register field
- disp: Displacement
- abs: Absolute address

Figure 2-8 Branching Instruction Codes

2.5.7 System Control Instructions

Table 2-10 describes the system control instructions. Figure 2-9 shows their object code formats.

Table 2-10 System Control Instructions

| Instruction | Size* | Function |
|--------------------|--------------|---|
| RTE | — | Returns from an exception-handling routine |
| SLEEP | — | Causes a transition from active mode to a power-down mode. See section 5, Power-Down Modes, for details. |
| LDC | B | $R_s \rightarrow CCR$, $\#IMM \rightarrow CCR$ Moves immediate data or general register contents to the condition code register |
| STC | B | $CCR \rightarrow R_d$ Copies the condition code register to a specified general register |
| ANDC | B | $CCR \wedge \#IMM \rightarrow CCR$ Logically ANDs the condition code register with immediate data |
| ORC | B | $CCR \vee \#IMM \rightarrow CCR$ Logically ORs the condition code register with immediate data |
| XORC | B | $CCR \oplus \#IMM \rightarrow CCR$ Logically exclusive-ORs the condition code register with immediate data |
| NOP | — | $PC + 2 \rightarrow PC$ Only increments the program counter |

Notes: * Size: Operand size

B: Byte

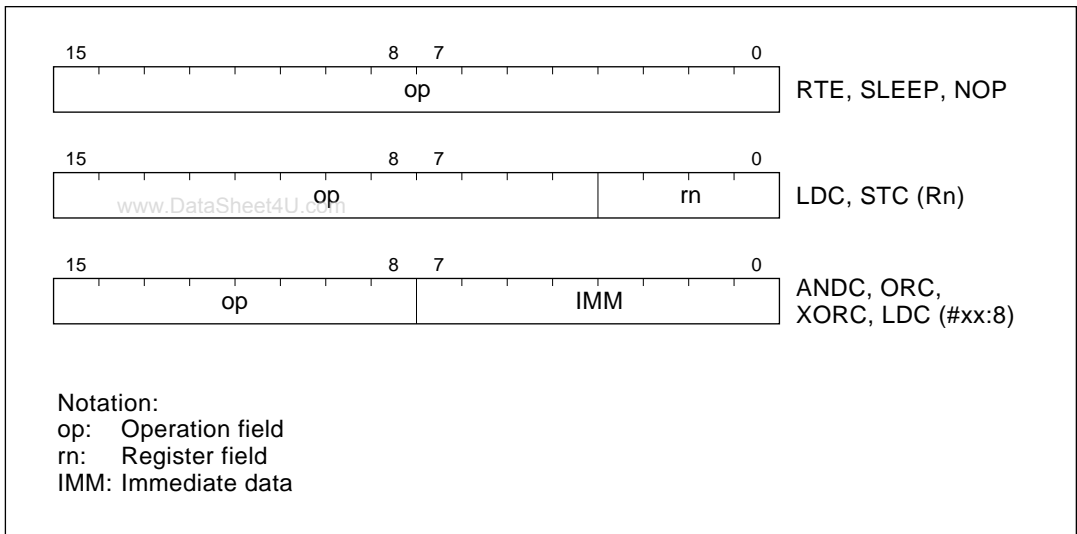


Figure 2-9 System Control Instruction Codes

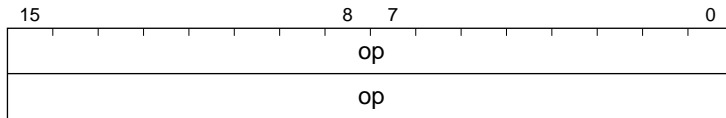
2.5.8 Block Data Transfer Instruction

Table 2-11 describes the block data transfer instruction. Figure 2-10 shows its object code format.

Table 2-11 Block Data Transfer Instruction

| Instruction | Size | Function |
|-------------|------|--|
| EEPMOV | — | <p>If R4L \neq 0 then</p> <p>repeat @R5+ \rightarrow @R6+ R4L - 1 \rightarrow R4L</p> <p>until R4L = 0</p> <p>else next;</p> <p>Moves a data block according to parameters set in general registers R4L, R5, and R6.</p> <p>R4L: Size of block (bytes)</p> <p>R5: Starting source address</p> <p>R6: Starting destination address</p> <p>Execution of the next instruction starts as soon as the block transfer is completed.</p> |

Certain precautions are required in using the EEPMOV instruction. See 2.9.3, Notes on Use of the EEPMOV Instruction, for details.



www.DataSheet4U.com

Notation:

op: Operation field

Figure 2-10 Block Data Transfer Instruction Code

2.6 Basic Operational Timing

CPU operation is synchronized by a system clock (ϕ) or a subclock (ϕ_{SUB}). For details on these clock signals see section 4, Clock Pulse Generators. The period from a rising edge of ϕ or ϕ_{SUB} to the next rising edge is called one state. A bus cycle consists of two states or three states. The cycle differs depending on whether access is to on-chip memory or to on-chip peripheral modules.

www.DataSheet4U.com

2.6.1 Access to On-Chip Memory (RAM, ROM)

Access to on-chip memory takes place in two states. The data bus width is 16 bits, allowing access in byte or word size. Figure 2-11 shows the on-chip memory access cycle.

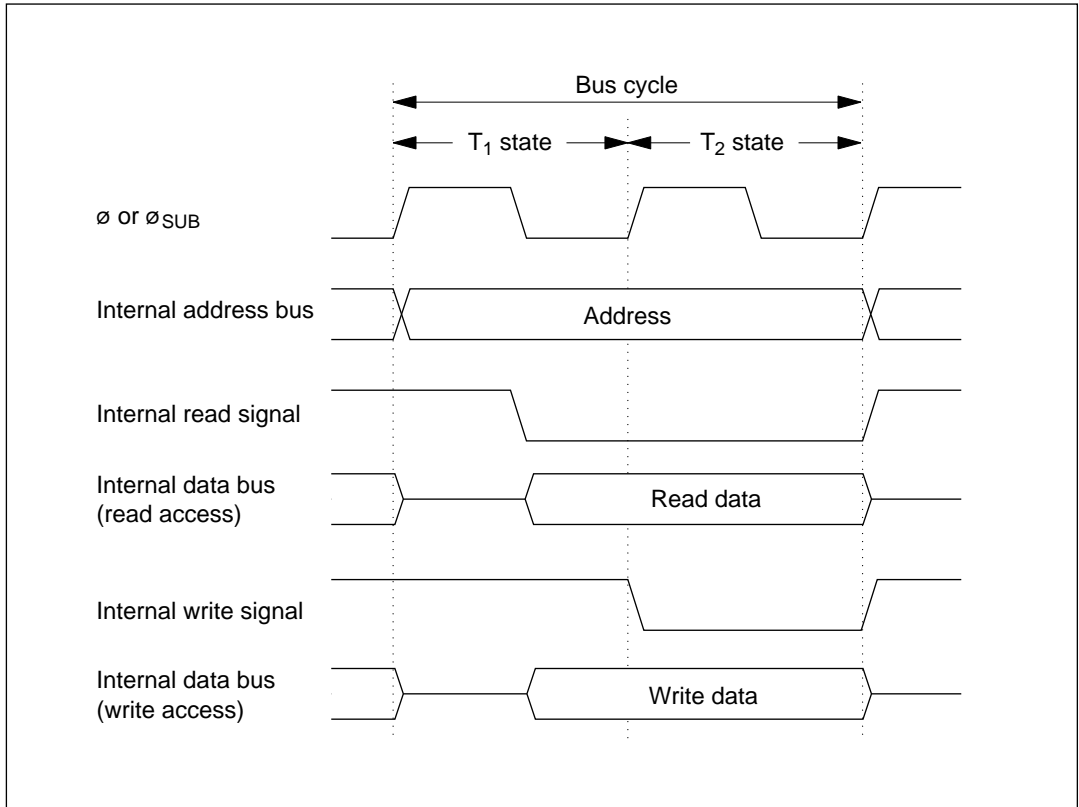


Figure 2-11 On-Chip Memory Access Cycle

2.6.2 Access to On-Chip Peripheral Modules

On-chip peripheral modules are accessed in two states or three states. The data bus width is 8 bits, so access is by byte size only. This means that for accessing word data, two instructions must be used. Figures 2-12 and 2-13 show the on-chip peripheral module access cycle.

Two-state access to on-chip peripheral modules

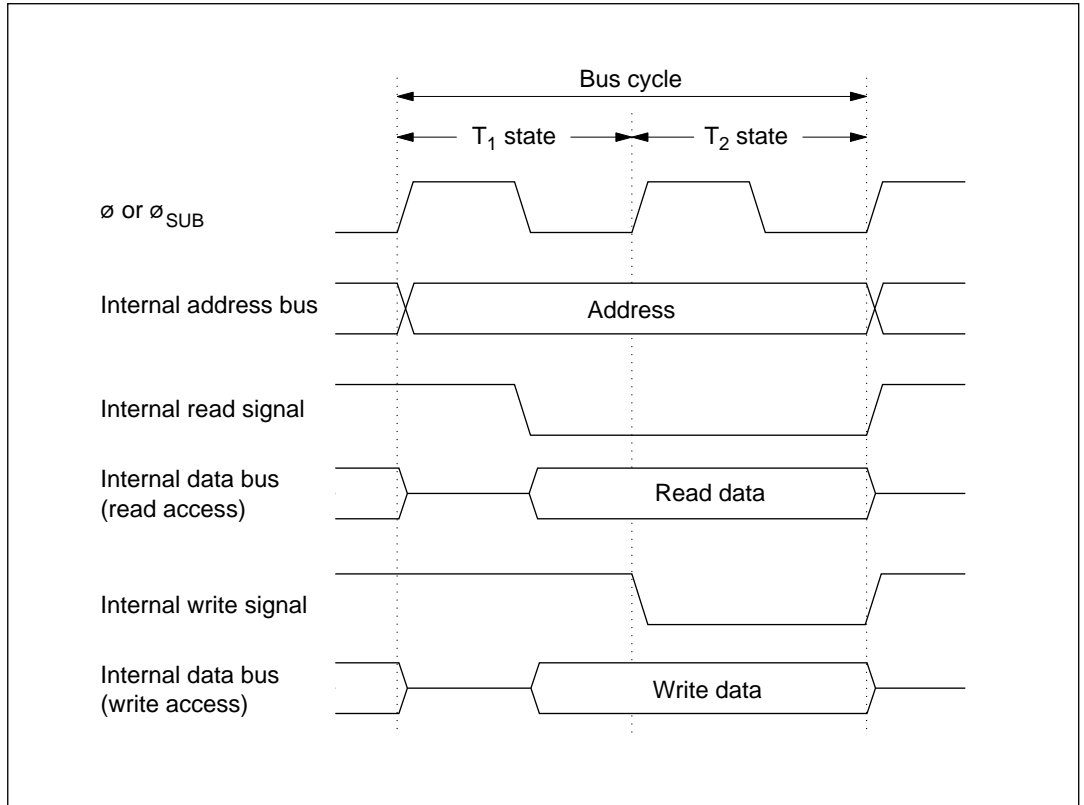


Figure 2-12 On-Chip Peripheral Module Access Cycle (2-State Access)

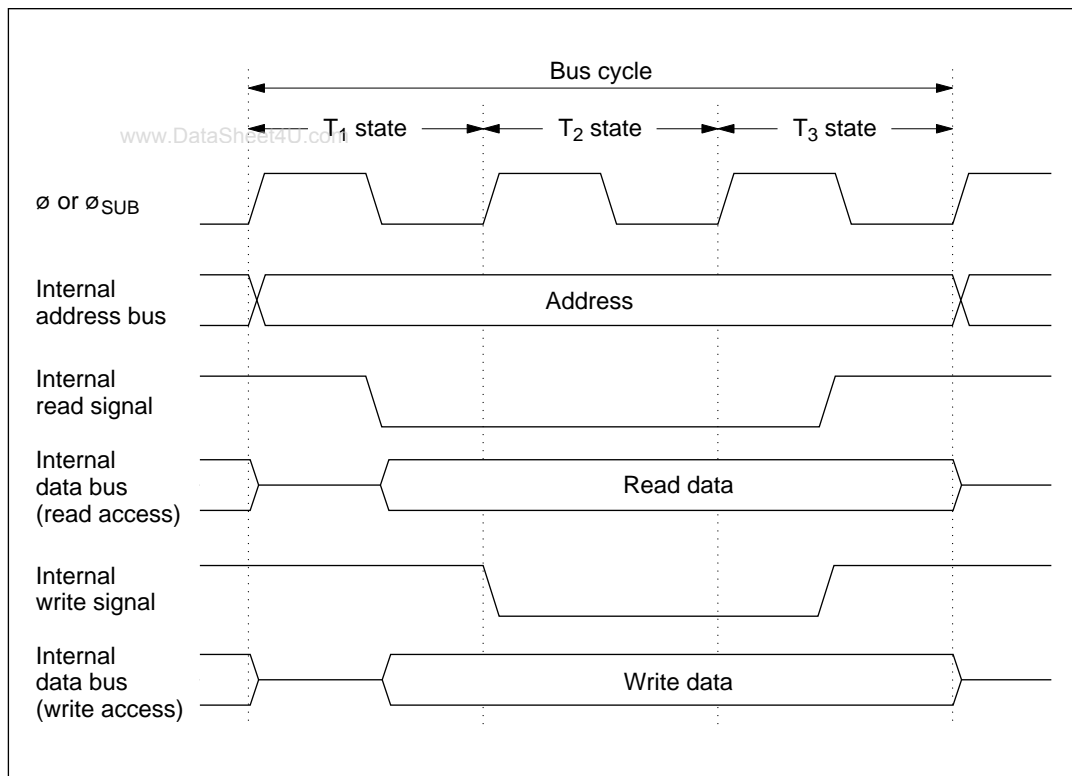


Figure 2-13 On-Chip Peripheral Module Access Cycle (3-State Access)

2.7 CPU States

2.7.1 Overview

There are four CPU states: the reset state, program execution state, program halt state, and exception-handling state. The program execution state includes active (high-speed or medium-speed) mode and subactive mode. In the program halt state there are a sleep (high-speed or medium-speed) mode, standby mode, watch mode, and sub-sleep mode. These states are shown in figure 2-14. Figure 2-15 shows the state transitions.

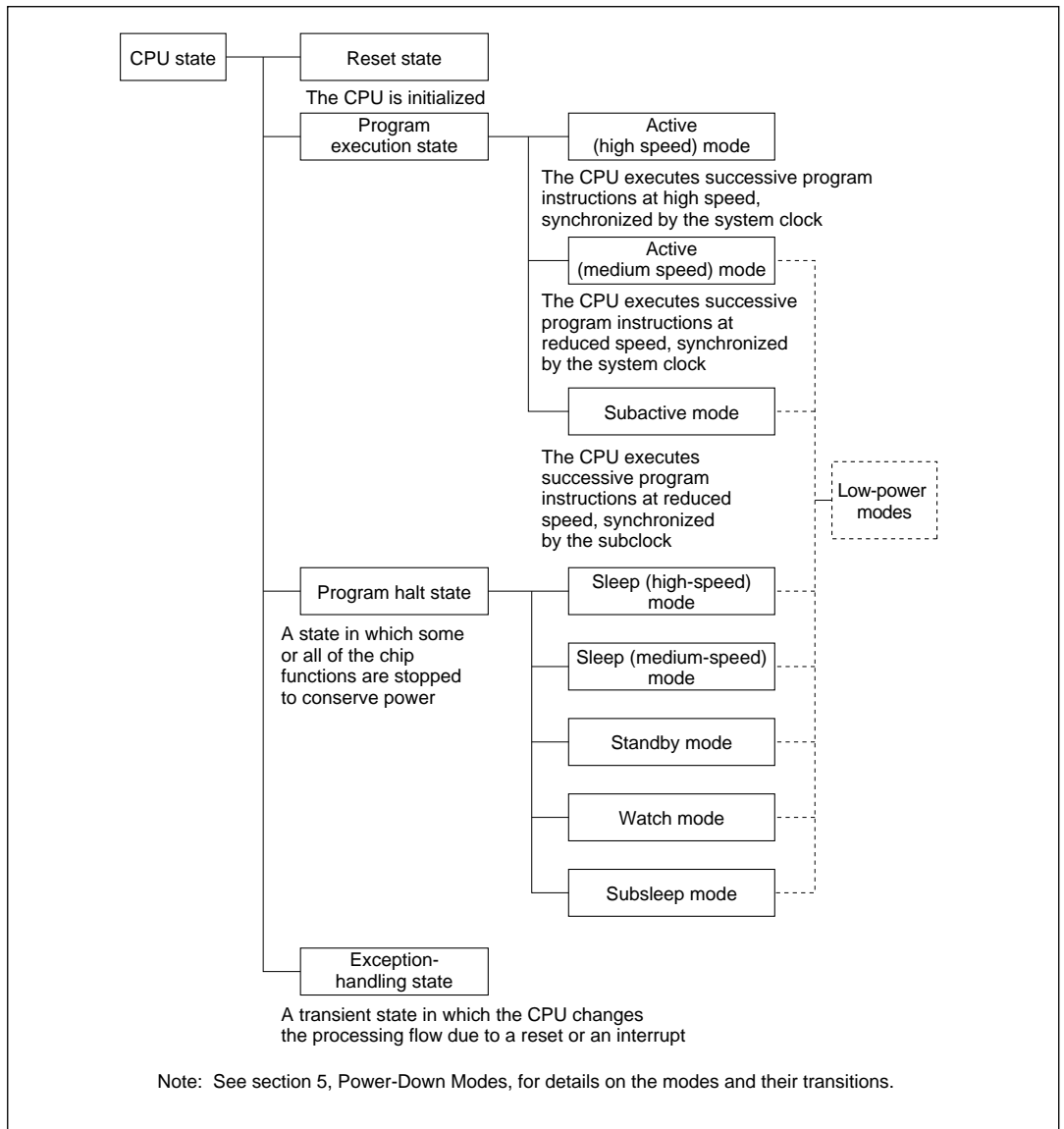


Figure 2-14 CPU Operation States

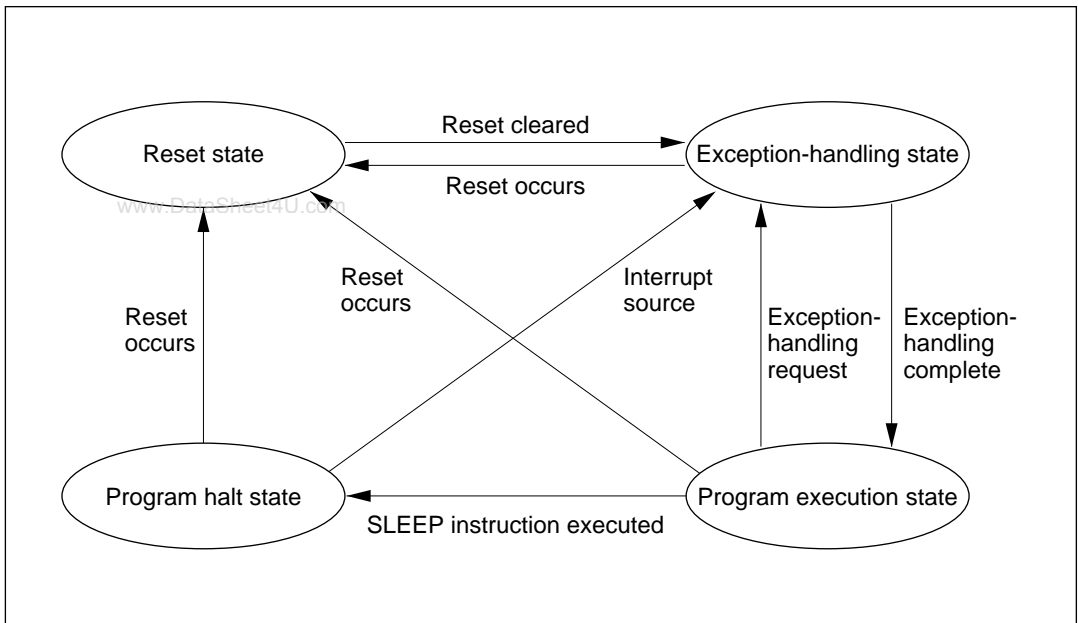


Figure 2-15 State Transitions

2.7.2 Program Execution State

In the program execution state the CPU executes program instructions in sequence.

There are three modes in this state, two active modes (high speed and medium speed) and one subactive mode. Operation is synchronized with the system clock in active mode (high speed and medium speed), and with the subclock in subactive mode. See section 5, Power-Down Modes for details on these modes.

2.7.3 Program Halt State

In the program halt state there are four modes: sleep mode, standby mode, watch mode, and subsleep mode. See section 5, Power-Down Modes for details on these modes.

2.7.4 Exception-Handling State

The exception-handling state is a transient state occurring when exception handling is started by a reset or interrupt and the CPU changes its normal processing flow. In exception handling caused by an interrupt, SP (R7) is referenced and the PC and CCR values are saved on the stack.

For details on interrupt handling, see section 3.3, Interrupts.

2.8 Memory Map

2.8.1 Memory Map

Figure 2-16 shows a memory map of the H8/3927 Series.

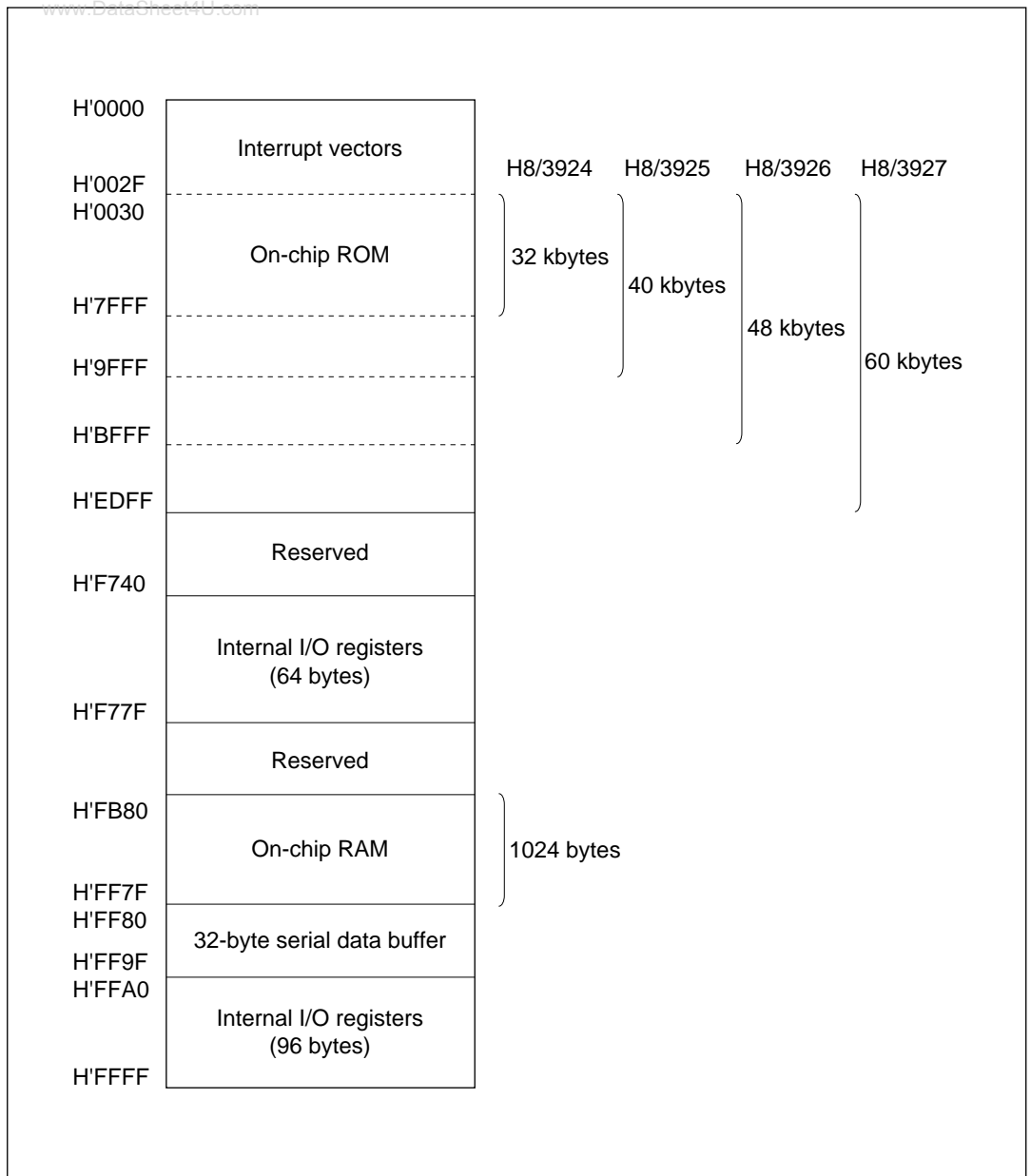


Figure 2-16 H8/3927 Series Memory Map

2.9 Application Notes

2.9.1 Notes on Data Access

1. The address space of the H8/300L CPU includes empty areas in addition to the RAM, registers, and ROM areas available to the user. If these empty areas are mistakenly accessed by an application program, the following results will occur.

Data transfer from CPU to empty area:

The transferred data will be lost. This action may also cause the CPU to misoperate.

Data transfer from empty area to CPU:

Unpredictable data is transferred.

2. Internal data transfer to or from on-chip modules other than the ROM and RAM areas makes use of an 8-bit data width. If word access is attempted to these areas, the following results will occur.

Word access from CPU to I/O register area:

Upper byte: Will be written to I/O register.

Lower byte: Transferred data will be lost.

Word access from I/O register to CPU:

Upper byte: Will be written to upper part of CPU register.

Lower byte: Unpredictable data will be written to lower part of CPU register.

Byte size instructions should therefore be used when transferring data to or from I/O registers other than the on-chip ROM and RAM areas. Figure 2-17 shows the data size and number of states in which on-chip peripheral modules can be accessed.

| | | Access | | States |
|----------|--------------------------------------|--------|------|----------|
| | | Word | Byte | |
| H'0000 | Interrupt vector area (48 bytes) | | | 2 |
| H'002F | | | | |
| H'0030 | On-chip ROM | ○ | ○ | 2 |
| | | | | |
| | | | | |
| | | | | |
| H'EDFF*1 | Reserved | — | — | — |
| H'F740 | Internal I/O registers (64 bytes) | × | ○ | 2 or 3*2 |
| H'F77F | | | | |
| | Reserved | — | — | — |
| H'FB80 | On-chip RAM | ○ | ○ | 2 |
| H'FF7F | | | | |
| H'FF80 | 32-byte serial data buffer | × | ○ | 2 |
| H'FF9F | | | | |
| H'FFA0 | Internal I/O registers (96 bytes) | × | ○ | 2 or 3*2 |
| H'FFFF | | | | |

○ : Access possible
 × : Not possible

Notes: The H8/3927 is shown as an example.

1. The H8/3926 ROM occupies 48 kbytes up to address H'BFFF. The H8/3925 ROM occupies 40 kbytes up to address H'9FFF. The H8/3924 ROM occupies 32 kbytes up to address H'7FFF.
2. Internal I/O registers defined in areas assigned to timer X (H'F770 to H'F77F) and timer V (H'FFB8 to H'FFBD) are accessed in three states.

Figure 2-17 Data Size and Number of States for Access to and from On-Chip Peripheral Modules

2.9.2 Notes on Bit Manipulation

The BSET, BCLR, BNOT, BST, and BIST instructions read one byte of data, modify the data, then write the data byte again. Special care is required when using these instructions in cases where two registers are assigned to the same address, in the case of registers that include write-only bits, and when the instruction accesses an I/O port.

www.DataSheet4U.com

| Order of Operation | Operation |
|--------------------|---|
| 1 Read | Read byte data at the designated address |
| 2 Modify | Modify a designated bit in the read data |
| 3 Write | Write the altered byte data to the designated address |

1. Bit manipulation in two registers assigned to the same address

Example 1: timer load register and timer counter

Figure 2-18 shows an example in which two timer registers share the same address. When a bit manipulation instruction accesses the timer load register and timer counter of a reloadable timer, since these two registers share the same address, the following operations take place.

| Order of Operation | Operation |
|--------------------|---|
| 1 Read | Timer counter data is read (one byte) |
| 2 Modify | The CPU modifies (sets or resets) the bit designated in the instruction |
| 3 Write | The altered byte data is written to the timer load register |

The timer counter is counting, so the value read is not necessarily the same as the value in the timer load register. As a result, bits other than the intended bit in the timer load register may be modified to the timer counter value.

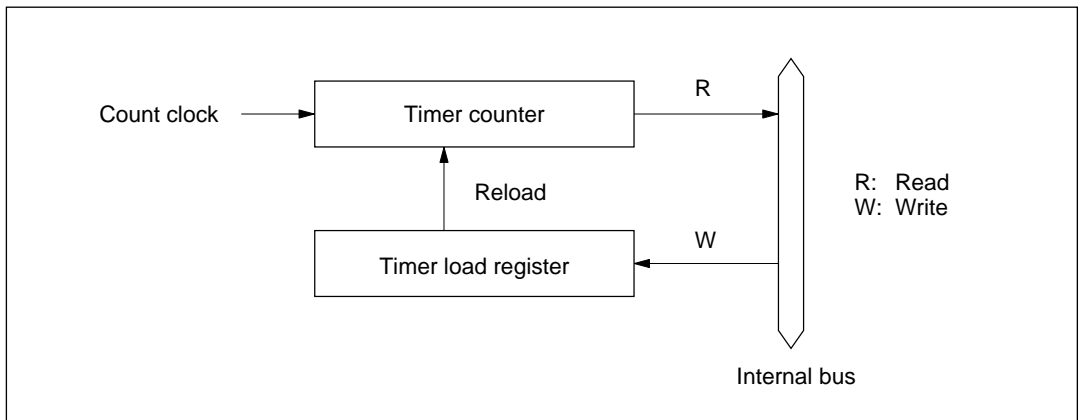


Figure 2-18 Timer Configuration Example

Example 2: BSET instruction executed designating port 3

P3₇ and P3₆ are designated as input pins, with a low-level signal input at P3₇ and a high-level signal at P3₆. The remaining pins, P3₅ to P3₀, are output pins and output low-level signals. In this example, the BSET instruction is used to change pin P3₀ to high-level output.

[A: Prior to executing BSET]

| | P3 ₇ | P3 ₆ | P3 ₅ | P3 ₄ | P3 ₃ | P3 ₂ | P3 ₁ | P3 ₀ |
|--------------|-----------------|-----------------|-----------------|-----------------|-----------------|-----------------|-----------------|-----------------|
| Input/output | Input | Input | Output | Output | Output | Output | Output | Output |
| Pin state | Low level | High level | Low level | Low level | Low level | Low level | Low level | Low level |
| PCR3 | 0 | 0 | 1 | 1 | 1 | 1 | 1 | 1 |
| PDR3 | 1 | 0 | 0 | 0 | 0 | 0 | 0 | 0 |

[B: BSET instruction executed]

```
BSET #0 , @PDR3
```

The BSET instruction is executed designating port 3.

[C: After executing BSET]

| | P3 ₇ | P3 ₆ | P3 ₅ | P3 ₄ | P3 ₃ | P3 ₂ | P3 ₁ | P3 ₀ |
|--------------|-----------------|-----------------|-----------------|-----------------|-----------------|-----------------|-----------------|-----------------|
| Input/output | Input | Input | Output | Output | Output | Output | Output | Output |
| Pin state | Low level | High level | Low level | Low level | Low level | Low level | Low level | High level |
| PCR3 | 0 | 0 | 1 | 1 | 1 | 1 | 1 | 1 |
| PDR3 | 0 | 1 | 0 | 0 | 0 | 0 | 0 | 1 |

[D: Explanation of how BSET operates]

When the BSET instruction is executed, first the CPU reads port 3.

Since P3₇ and P3₆ are input pins, the CPU reads the pin states (low-level and high-level input). P3₅ to P3₀ are output pins, so the CPU reads the value in PDR3. In this example PDR3 has a value of H'80, but the value read by the CPU is H'40.

Next, the CPU sets bit 0 of the read data to 1, changing the PDR3 data to H'41. Finally, the CPU writes this value (H'41) to PDR3, completing execution of BSET.

As a result of this operation, bit 0 in PDR3 becomes 1, and P3₀ outputs a high-level signal. However, bits 7 and 6 of PDR3 end up with different values.

To avoid this problem, store a copy of the PDR3 data in a work area in memory. Perform the bit manipulation on the data in the work area, then write this data to PDR3.

[A: Prior to executing BSET]

```
MOV. B #80, R0L
MOV. B R0L, @RAM0
MOV. B R0L, @PDR3
```

The PDR3 value (H'80) is written to a work area in memory (RAM0) as well as to PDR3.

| | P3 ₇ | P3 ₆ | P3 ₅ | P3 ₄ | P3 ₃ | P3 ₂ | P3 ₁ | P3 ₀ |
|--------------|-----------------|-----------------|-----------------|-----------------|-----------------|-----------------|-----------------|-----------------|
| Input/output | Input | Input | Output | Output | Output | Output | Output | Output |
| Pin state | Low level | High level | Low level | Low level | Low level | Low level | Low level | Low level |
| PCR3 | 0 | 0 | 1 | 1 | 1 | 1 | 1 | 1 |
| PDR3 | 1 | 0 | 0 | 0 | 0 | 0 | 0 | 0 |
| RAM0 | 1 | 0 | 0 | 0 | 0 | 0 | 0 | 0 |

[B: BSET instruction executed]

```
BSET #0, @RAM0
```

The BSET instruction is executed designating the PDR3 work area (RAM0).

[C: After executing BSET]

```
MOV. B  @RAM0 , R0L
MOV. B  R0L ,  @PDR3
```

The work area (RAM0) value is written to PDR3.

| | P3₇ | P3₆ | P3₅ | P3₄ | P3₃ | P3₂ | P3₁ | P3₀ |
|--------------|-----------------------|-----------------------|-----------------------|-----------------------|-----------------------|-----------------------|-----------------------|-----------------------|
| Input/output | Input | Input | Output | Output | Output | Output | Output | Output |
| Pin state | Low level | High level | Low level | Low level | Low level | Low level | Low level | High level |
| PCR3 | 0 | 0 | 1 | 1 | 1 | 1 | 1 | 1 |
| PDR3 | 1 | 0 | 0 | 0 | 0 | 0 | 0 | 1 |
| RAM0 | 1 | 0 | 0 | 0 | 0 | 0 | 0 | 1 |

2. Bit manipulation in a register containing a write-only bit

Example 3: BCLR instruction executed designating port 3 control register PCR3

As in the examples above, P3₇ and P3₆ are input pins, with a low-level signal input at P3₇ and a high-level signal at P3₆. The remaining pins, P3₅ to P3₀, are output pins that output low-level signals. In this example, the BCLR instruction is used to change pin P3₀ to an input port. It is assumed that a high-level signal will be input to this input pin.

[A: Prior to executing BCLR]

| | P3₇ | P3₆ | P3₅ | P3₄ | P3₃ | P3₂ | P3₁ | P3₀ |
|--------------|-----------------------|-----------------------|-----------------------|-----------------------|-----------------------|-----------------------|-----------------------|-----------------------|
| Input/output | Input | Input | Output | Output | Output | Output | Output | Output |
| Pin state | Low level | High level | Low level | Low level | Low level | Low level | Low level | Low level |
| PCR3 | 0 | 0 | 1 | 1 | 1 | 1 | 1 | 1 |
| PDR3 | 1 | 0 | 0 | 0 | 0 | 0 | 0 | 0 |

[B: BCLR instruction executed]

```
BCLR  #0 ,  @PCR3
```

The BCLR instruction is executed designating PCR3.

[C: After executing BCLR]

| | P3₇ | P3₆ | P3₅ | P3₄ | P3₃ | P3₂ | P3₁ | P3₀ |
|--------------|-----------------------|-----------------------|-----------------------|-----------------------|-----------------------|-----------------------|-----------------------|-----------------------|
| Input/output | Output | Output | Output | Output | Output | Output | Output | Input |
| Pin state | Low level | High level | Low level | Low level | Low level | Low level | Low level | High level |
| PCR3 | 1 | 1 | 1 | 1 | 1 | 1 | 1 | 0 |
| PDR3 | 1 | 0 | 0 | 0 | 0 | 0 | 0 | 0 |

[D: Explanation of how BCLR operates]

When the BCLR instruction is executed, first the CPU reads PCR3. Since PCR3 is a write-only register, the CPU reads a value of H'FF, even though the PCR3 value is actually H'3F.

Next, the CPU clears bit 0 in the read data to 0, changing the data to H'FE. Finally, this value (H'FE) is written to PCR3 and BCLR instruction execution ends.

As a result of this operation, bit 0 in PCR3 becomes 0, making P3₀ an input port. However, bits 7 and 6 in PCR3 change to 1, so that P3₇ and P3₆ change from input pins to output pins.

To avoid this problem, store a copy of the PCR3 data in a work area in memory. Perform the bit manipulation on the data in the work area, then write this data to PCR3.

[A: Prior to executing BCLR]

| |
|-------------------|
| MOV. B #3F, R0L |
| MOV. B R0L, @RAM0 |
| MOV. B R0L, @PCR3 |

The PCR3 value (H'3F) is written to a work area in memory (RAM0) as well as to PCR3.

| | P3₇ | P3₆ | P3₅ | P3₄ | P3₃ | P3₂ | P3₁ | P3₀ |
|--------------|-----------------------|-----------------------|-----------------------|-----------------------|-----------------------|-----------------------|-----------------------|-----------------------|
| Input/output | Input | Input | Output | Output | Output | Output | Output | Output |
| Pin state | Low level | High level | Low level | Low level | Low level | Low level | Low level | Low level |
| PCR3 | 0 | 0 | 1 | 1 | 1 | 1 | 1 | 1 |
| PDR3 | 1 | 0 | 0 | 0 | 0 | 0 | 0 | 0 |
| RAM0 | 0 | 0 | 1 | 1 | 1 | 1 | 1 | 1 |

[B: BCLR instruction executed]

```
BCLR #0, @RAM0
```

The BCLR instruction is executed designating the PCR3 work area (RAM0).

[C: After executing BCLR]

```
MOV. B @RAM0, R0L
MOV. B R0L, @PCR3
```

The work area (RAM0) value is written to PCR3.

| | P3 ₇ | P3 ₆ | P3 ₅ | P3 ₄ | P3 ₃ | P3 ₂ | P3 ₁ | P3 ₀ |
|--------------|-----------------|-----------------|-----------------|-----------------|-----------------|-----------------|-----------------|-----------------|
| Input/output | Input | Input | Output | Output | Output | Output | Output | Output |
| Pin state | Low level | High level | Low level | Low level | Low level | Low level | Low level | High level |
| PCR3 | 0 | 0 | 1 | 1 | 1 | 1 | 1 | 0 |
| PDR3 | 1 | 0 | 0 | 0 | 0 | 0 | 0 | 0 |
| RAM0 | 0 | 0 | 1 | 1 | 1 | 1 | 1 | 0 |

Table 2-12 lists the pairs of registers that share identical addresses. Table 2-13 lists the registers that contain write-only bits.

Table 2-12 Registers with Shared Addresses

| Register Name | Abbreviation | Address |
|---|----------------------|---------|
| Output compare register AH and output compare register BH (timer X) | OCRAH/OCRBH | H'F774 |
| Output compare register AL and output compare register BL (timer X) | OCRAL/OCRBL | H'F775 |
| Timer counter B1 and timer load register B1 | (timer B1) TCB1/TLB1 | H'FFB3 |
| Timer counter B2 and timer load register B2 | (timer B2) TCB2/TLB2 | H'FFC3 |
| Timer counter B3 and timer load register B3 | (timer B3) TCB3/TLB3 | H'FFE3 |
| Timer counter C and timer load register C | (timer C) TCC/TLC | H'FFB5 |
| Timer counter E and timer load register E | (timer E) TCE/TLE | H'FFB7 |
| Timer counter YH and timer load register YH | (timer Y) TCYH/TLYH | H'FFCE |
| Timer counter YL and timer load register YL | (timer Y) TCYL/TLYL | H'FFCF |
| Port data register 1* | PDR1 | H'FFD4 |
| Port data register 3* | PDR3 | H'FFD6 |
| Port data register 4* | PDR4 | H'FFD7 |
| Port data register 5* | PDR5 | H'FFD8 |
| Port data register 6* | PDR6 | H'FFD9 |
| Port data register 7* | PDR7 | H'FFDA |
| Port data register 8* | PDR8 | H'FFDB |

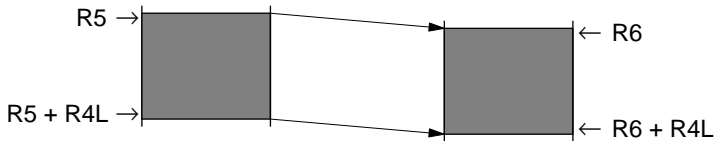
Note: * Port data registers have the same addresses as input pins.

Table 2-13 Registers with Write-Only Bits

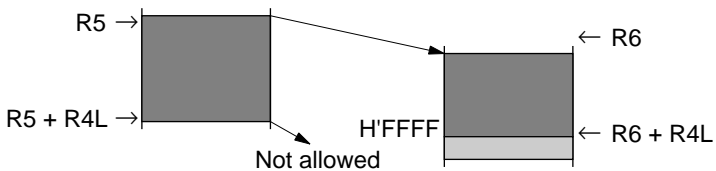
| Register Name | Abbreviation | Address |
|-------------------------|--------------|---------|
| Port control register 1 | PCR1 | H'FFE4 |
| Port control register 3 | PCR3 | H'FFE6 |
| Port control register 4 | PCR4 | H'FFE7 |
| Port control register 5 | PCR5 | H'FFE8 |
| Port control register 6 | PCR6 | H'FFE9 |
| Port control register 7 | PCR7 | H'FFEA |
| Port control register 8 | PCR8 | H'FFEB |
| PWM control register | PWCR | H'FFD0 |
| PWM data register U | PWDRU | H'FFD1 |
| PWM data register L | PWDRL | H'FFD2 |

2.9.3 Notes on Use of the EEPMOV Instruction

- The EEPMOV instruction is a block data transfer instruction. It moves the number of bytes specified by R4L from the address specified by R5 to the address specified by R6.



- When setting R4L and R6, make sure that the final destination address ($R6 + R4L$) does not exceed H'FFFF. The value in R6 must not change from H'FFFF to H'0000 during execution of the instruction.



Section 3 Exception Handling

3.1 Overview

Exception handling is performed in the H8/3927 Series when a reset or interrupt occurs. Table 3-1 shows the priorities of these two types of exception handling.

Table 3-1 Exception Handling Types and Priorities

| Priority | Exception Source | Time of Start of Exception Handling |
|----------|------------------|---|
| High | Reset | Exception handling starts as soon as the reset state is cleared |
| ↑ | Interrupt | When an interrupt is requested, exception handling starts after execution of the present instruction or the exception handling in progress is completed |
| Low | | |

3.2 Reset

3.2.1 Overview

A reset is the highest-priority exception. The internal state of the CPU and the registers of the on-chip peripheral modules are initialized.

3.2.2 Reset Sequence

1. Reset by $\overline{\text{RES}}$ pin

As soon as the RES pin goes low, all processing is stopped and the chip enters the reset state.

To make sure the chip is reset properly, observe the following precautions.

- At power on: Hold the $\overline{\text{RES}}$ pin low until the clock pulse generator output stabilizes.
- Resetting during operation: Hold the RES pin low for at least 10 system clock cycles.

Reset exception handling begins when the $\overline{\text{RES}}$ pin is held low for a given period, then returned to the high level.

Reset exception handling takes place as follows.

- The CPU internal state and the registers of on-chip peripheral modules are initialized, with the I bit of the condition code register (CCR) set to 1.
- The PC is loaded from the reset exception handling vector address (H'0000 to H'0001), after which the program starts executing from the address indicated in PC.

When system power is turned on or off, the RES pin should be held low.

Figure 3-1 shows the reset sequence starting from RES input.

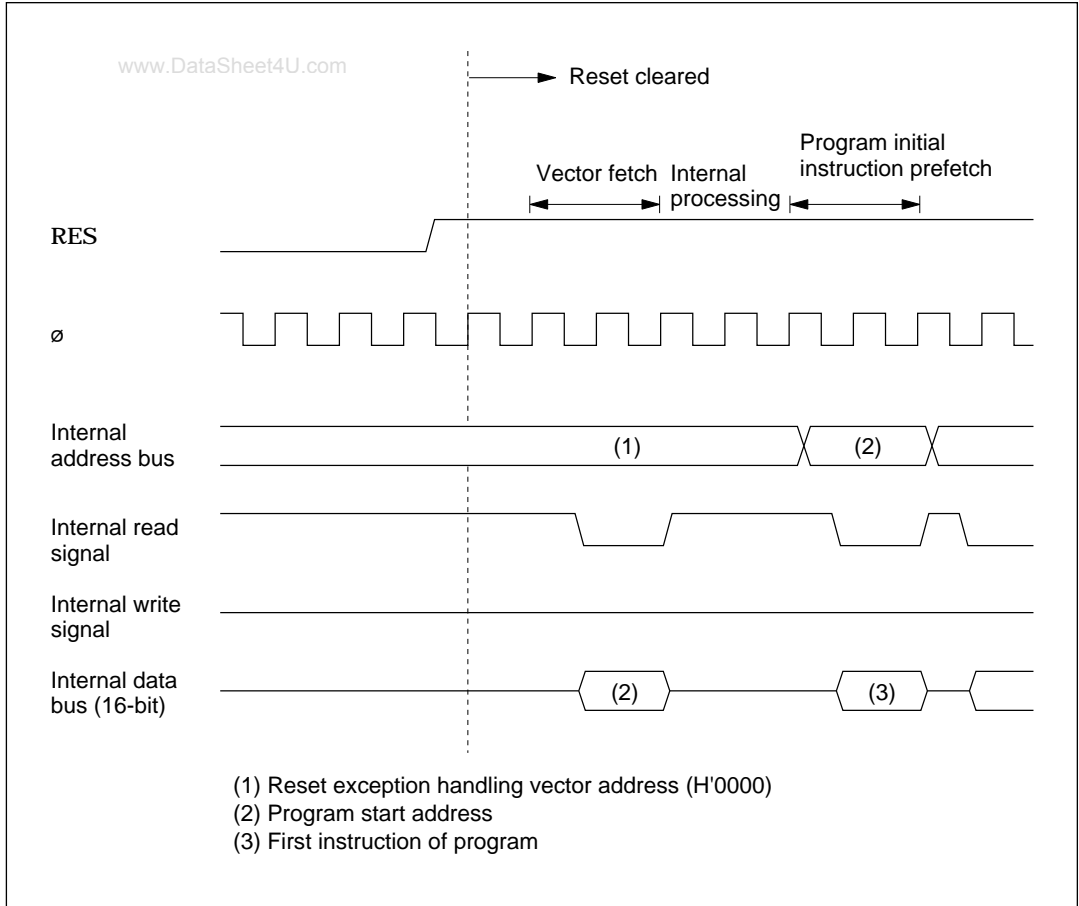


Figure 3-1 Reset Sequence

2. Reset by watchdog timer

The watchdog timer counter (TCW) starts counting up when the WDON bit is set to 1 in the watchdog timer control/status register (TCSRW). If TCW overflows, the WRST bit is set to 1 in TCSRW and the chip enters the reset state. While the WRST bit is set to 1 in TCSRW, when TCW overflows the reset state is cleared and reset exception handling begins. The same reset exception handling is carried out as for input at the RES pin. For details on the watchdog timer, see 9.11, Watchdog Timer.

3.2.3 Interrupt Immediately after Reset

After a reset, if an interrupt were to be accepted before the stack pointer (SP: R7) was initialized, PC and CCR would not be pushed onto the stack correctly, resulting in program runaway. To prevent this, immediately after reset exception handling all interrupts are masked. For this reason, the initial program instruction is always executed immediately after a reset. This instruction should initialize the stack pointer (e.g. MOV.W #xx: 16, SP).

3.3 Interrupts

3.3.1 Overview

The interrupt sources include 13 external interrupts (NMI, IRQ₃ to IRQ₀, INT₇ to INT₀) and 22 internal interrupts from on-chip peripheral modules. Table 3-2 shows the interrupt sources, their priorities, and their vector addresses. When more than one interrupt is requested, the interrupt with the highest priority is processed.

The interrupts have the following features:

- NMI has the highest priority and is always accepted. The other internal and external interrupts can be masked by the I bit in CCR. When the I bit is set to 1, interrupt request flags can be set but the interrupts are not accepted, except for NMI.
- NMI, IRQ₃ to IRQ₀, and INT₇ to INT₀ can be set independently to either rising edge sensing or falling edge sensing.

Table 3-2 Interrupt Sources and Their Priorities

| Interrupt Source | Interrupt | Vector Number | Vector Address | Priority |
|------------------------------|--|---------------|------------------|---------------|
| RES | Reset | 0 | H'0000 to H'0001 | High |
| NMI | NMI | 3 | H'0006 to H'0007 | ↑ ↓ Low |
| IRQ ₀ | IRQ ₀ | 4 | H'0008 to H'0009 | |
| IRQ ₁ | IRQ ₁ | 5 | H'000A to H'000B | |
| IRQ ₂ | IRQ ₂ | 6 | H'000C to H'000D | |
| IRQ ₃ | IRQ ₃ | 7 | H'000E to H'000F | |
| INT ₀ | INT ₀ | 8 | H'0010 to H'0011 | |
| INT ₁ | INT ₁ | | | |
| INT ₂ | INT ₂ | | | |
| INT ₃ | INT ₃ | | | |
| INT ₄ | INT ₄ | | | |
| INT ₅ | INT ₅ | | | |
| INT ₆ | INT ₆ | | | |
| INT ₇ | INT ₇ | | | |
| Timer Y | Timer Y overflow | 9 | H'0012 to H'0013 | |
| Timer A | Timer A overflow | 10 | H'0014 to H'0015 | |
| Timer B1 | Timer B1 overflow | 11 | H'0016 to H'0017 | |
| Timer B2 | Timer B2 overflow | 12 | H'0018 to H'0019 | |
| Timer B3 | Timer B3 overflow | 13 | H'001A to H'001B | |
| Timer C | Timer C overflow or underflow | 14 | H'001C to H'001D | |
| Timer E | Timer E overflow | 15 | H'001E to H'001F | |
| Timer X | Timer X input capture A Timer X input capture B Timer X input capture C Timer X input capture D Timer X compare match A Timer X compare match B Timer X overflow | 16 | H'0020 to H'0021 | |
| Timer V | Timer V compare match A Timer V compare match B Timer V overflow | 17 | H'0022 to H'0023 | |
| SCI1 | SCI1 transfer complete | 19 | H'0026 to H'0027 | |
| SCI2 | SCI2 transfer complete SCI2 transfer abort | 20 | H'0028 to H'0029 | |
| A/D | A/D conversion end | 22 | H'002C to H'002D | |
| (SLEEP instruction executed) | Direct transfer | 23 | H'002E to H'002F | Low |

Note: * Vector addresses H'0002 to H'0005, H'0024 to H'0025, and H'002A to H'002B are reserved and cannot be used.

3.3.2 Interrupt Control Registers

Table 3-3 lists the registers that control interrupts.

Table 3-3 Interrupt Control Registers

| Name | Abbreviation | R/W | Initial Value | Address |
|----------------------------------|--------------|------|---------------|---------|
| Interrupt edge select register 1 | IEGR1 | R/W | H'70 | H'FFF2 |
| Interrupt edge select register 2 | IEGR2 | R/W | H'00 | H'FFF3 |
| Interrupt enable register 1 | IENR1 | R/W | H'10 | H'FFF4 |
| Interrupt enable register 2 | IENR2 | R/W | H'00 | H'FFF5 |
| Interrupt enable register 3 | IENR3 | R/W | H'00 | H'FFF6 |
| Interrupt request register 1 | IRR1 | R/W* | H'10 | H'FFF7 |
| Interrupt request register 2 | IRR2 | R/W* | H'00 | H'FFF8 |
| Interrupt request register 3 | IRR3 | R/W* | H'00 | H'FFF9 |

Note: * Write is enabled only for writing of 0 to clear a flag.

1. Interrupt edge select register 1 (IEGR1)

| Bit | 7 | 6 | 5 | 4 | 3 | 2 | 1 | 0 |
|---------------|-------|---|---|---|------|------|------|------|
| | NMIEG | — | — | — | IEG3 | IEG2 | IEG1 | IEG0 |
| Initial value | 0 | 1 | 1 | 1 | 0 | 0 | 0 | 0 |
| Read/Write | R/W | — | — | — | R/W | R/W | R/W | R/W |

IEGR1 is an 8-bit read/write register, used to designate whether pins $\overline{\text{NMI}}$ and $\overline{\text{IRQ}}_3$ to $\overline{\text{IRQ}}_0$ are set to rising edge sensing or falling edge sensing. Upon reset, IEGR1 is initialized to H'70.

Bit 7: NMI edge select (NMIEG)

Bit 7 selects the input sensing of the $\overline{\text{NMI}}$ pin.

Bit 7

| NMIEG | Description |
|-------|---|
| 0 | Falling edge of NMI pin input is detected (initial value) |
| 1 | Rising edge of NMI pin input is detected |

Bits 6 to 4: Reserved bits

Bits 6 to 4 are reserved; they are always read as 1, and cannot be modified.

Bit 3: IRQ₃ edge select (IEG3)

Bit 3 selects the input sensing of pin $\overline{\text{IRQ}}_3$.

Bit 3

| IEG3 | Description | |
|-------------|---|-----------------|
| 0 | Falling edge of $\overline{\text{IRQ}}_3$ pin input is detected | (initial value) |
| 1 | Rising edge of $\overline{\text{IRQ}}_3$ pin input is detected | |

Bit 2: IRQ₂ edge select (IEG2)

Bit 2 selects the input sensing of pin $\overline{\text{IRQ}}_2$.

Bit 2

| IEG2 | Description | |
|-------------|---|-----------------|
| 0 | Falling edge of $\overline{\text{IRQ}}_2$ pin input is detected | (initial value) |
| 1 | Rising edge of $\overline{\text{IRQ}}_2$ pin input is detected | |

Bit 1: IRQ₁ edge select (IEG1)

Bit 1 selects the input sensing of pin $\overline{\text{IRQ}}_1$.

Bit 1

| IEG1 | Description | |
|-------------|---|-----------------|
| 0 | Falling edge of $\overline{\text{IRQ}}_1$ pin input is detected | (initial value) |
| 1 | Rising edge of $\overline{\text{IRQ}}_1$ pin input is detected | |

Bit 0: IRQ₀ edge select (IEG0)

Bit 0 selects the input sensing of pin $\overline{\text{IRQ}}_0$.

Bit 0

| IEG0 | Description | |
|-------------|---|-----------------|
| 0 | Falling edge of $\overline{\text{IRQ}}_0$ pin input is detected | (initial value) |
| 1 | Rising edge of $\overline{\text{IRQ}}_0$ pin input is detected | |

2. Interrupt edge select register 2 (IEGR2)

| | | | | | | | | |
|---------------|--------|--------|--------|--------|--------|--------|--------|--------|
| Bit | 7 | 6 | 5 | 4 | 3 | 2 | 1 | 0 |
| | INTEG7 | INTEG6 | INTEG5 | INTEG4 | INTEG3 | INTEG2 | INTEG1 | INTEG0 |
| Initial value | 0 | 0 | 0 | 0 | 0 | 0 | 0 | 0 |
| Read/Write | R/W | R/W | R/W | R/W | R/W | R/W | R/W | R/W |

IEGR2 is an 8-bit read/write register, used to designate whether pins \overline{INT}_7 to \overline{INT}_0 , TMIY, and TMIB are set to rising edge sensing or falling edge sensing. Upon reset, IEGR2 is initialized to H'00.

Bit 7: \overline{INT}_7 edge select (INTEG7)

Bit 7 selects the input sensing of the \overline{INT}_7 pin and TMIY pin.

Bit 7

| INTEG7 | Description |
|--------|---|
| 0 | Falling edge of \overline{INT}_7 and TMIY pin input is detected (initial value) |
| 1 | Rising edge of \overline{INT}_7 and TMIY pin input is detected |

Bit 6: \overline{INT}_6 edge select (INTEG6)

Bit 6 selects the input sensing of the \overline{INT}_6 pin and TMIB pin.

Bit 6

| INTEG6 | Description |
|--------|---|
| 0 | Falling edge of \overline{INT}_6 and TMIB pin input is detected (initial value) |
| 1 | Rising edge of \overline{INT}_6 and TMIB pin input is detected |

Bits 5 to 0: \overline{INT}_5 to \overline{INT}_0 edge select (INTEG5 to INTEG0)

Bits 5 to 0 select the input sensing of pins \overline{INT}_5 to \overline{INT}_0 .

Bit n

| INTEGn | Description |
|--------|--|
| 0 | Falling edge of \overline{INT}_n pin input is detected (initial value) |
| 1 | Rising edge of \overline{INT}_n pin input is detected |

(n = 5 to 0)

3. Interrupt enable register 1 (IENR1)

| Bit | 7 | 6 | 5 | 4 | 3 | 2 | 1 | 0 |
|---------------|--------|-------|-------|---|-------|-------|-------|-------|
| | IENRB1 | IENRA | IENRY | — | IENR3 | IENR2 | IENR1 | IENR0 |
| Initial value | 0 | 0 | 0 | 1 | 0 | 0 | 0 | 0 |
| Read/Write | R/W | R/W | R/W | — | R/W | R/W | R/W | R/W |

IENR1 is an 8-bit read/write register that enables or disables interrupt requests. Upon reset, IENR1 is initialized to H'10.

Bit 7: Timer B1 interrupt enable (IENRB1)

Bit 7 enables or disables timer B1 overflow interrupt requests.

Bit 7

| IENRB1 | Description | |
|--------|--------------------------------------|-----------------|
| 0 | Disables timer B1 interrupt requests | (initial value) |
| 1 | Enables timer B1 interrupt requests | |

Bit 6: Timer A interrupt enable (IENRA)

Bit 6 enables or disables timer A overflow interrupt requests.

Bit 6

| IENRA | Description | |
|-------|-------------------------------------|-----------------|
| 0 | Disables timer A interrupt requests | (initial value) |
| 1 | Enables timer A interrupt requests | |

Bit 5: Timer Y interrupt enable (IENRY)

Bit 5 enables or disables timer Y overflow interrupt requests.

Bit 5

| IENRY | Description | |
|-------|-------------------------------------|-----------------|
| 0 | Disables timer Y interrupt requests | (initial value) |
| 1 | Enables timer Y interrupt requests | |

Bit 4: Reserved bit

Bit 4 is reserved; it is always read as 1, and cannot be modified.

Bits 3 to 0: IRQ₃ to IRQ₀ interrupt enable (IEN3 to IEN0)

Bits 3 to 0 enable or disable IRQ₃ to IRQ₀ interrupt requests.

| Bit n IENn | Description |
|---------------|--|
| 0 | Disables interrupt requests from pin $\overline{\text{IRQ}}_n$ (initial value) |
| 1 | Enables interrupt requests from pin $\overline{\text{IRQ}}_n$ |

(n = 3 to 0)

4. Interrupt enable register 2 (IENR2)

| Bit | 7 | 6 | 5 | 4 | 3 | 2 | 1 | 0 |
|---------------|-------|-------|-------|-------|-------|-------|--------|--------|
| | IENDT | IENAD | IENS2 | IENS1 | IENTE | IENTC | IENTB3 | IENTB2 |
| Initial value | 0 | 0 | 0 | 0 | 0 | 0 | 0 | 0 |
| Read/Write | R/W | R/W | R/W | R/W | R/W | R/W | R/W | R/W |

IENR2 is an 8-bit read/write register that enables or disables interrupt requests. Upon reset, IENR2 is initialized to H'00.

Bit 7: Direct transfer interrupt enable (IENDT)

Bit 7 enables or disables direct transfer interrupt requests.

| Bit 7 IENDT | Description |
|----------------|---|
| 0 | Disables direct transfer interrupt requests (initial value) |
| 1 | Enables direct transfer interrupt requests |

Bit 6: A/D converter interrupt enable (IENAD)

Bit 6 enables or disables A/D converter interrupt requests.

| Bit 6 IENAD | Description |
|----------------|---|
| 0 | Disables A/D converter interrupt requests (initial value) |
| 1 | Enables A/D converter interrupt requests |

Bit 5: SCI2 interrupt enable (IENS2)

Bit 5 enables or disables SCI2 transfer complete and transfer abort interrupt requests.

| Bit 5 IENS2 | Description | |
|------------------------|----------------------------------|-----------------|
| 0 | Disables SCI2 interrupt requests | (initial value) |
| 1 | Enables SCI2 interrupt requests | |

Bit 4: SCI1 interrupt enable (IENS1)

Bit 4 enables or disables SCI1 transfer complete interrupt requests.

| Bit 4 IENS1 | Description | |
|------------------------|----------------------------------|-----------------|
| 0 | Disables SCI1 interrupt requests | (initial value) |
| 1 | Enables SCI1 interrupt requests | |

Bit 3: Timer E interrupt enable (IENTE)

Bit 3 enables or disables timer E overflow interrupt requests.

| Bit 3 IENTE | Description | |
|------------------------|-------------------------------------|-----------------|
| 0 | Disables timer E interrupt requests | (initial value) |
| 1 | Enables timer E interrupt requests | |

Bit 2: Timer C interrupt enable (IENTC)

Bit 2 enables or disables timer C overflow and underflow interrupt requests.

| Bit 2 IENTC | Description | |
|------------------------|-------------------------------------|-----------------|
| 0 | Disables timer C interrupt requests | (initial value) |
| 1 | Enables timer C interrupt requests | |

Bit 1: Timer B3 interrupt enable (IENTB3)

Bit 1 enables or disables timer B3 overflow interrupt requests.

| Bit 1 IENTB3 | Description | |
|-------------------------|--------------------------------------|-----------------|
| 0 | Disables timer B3 interrupt requests | (initial value) |
| 1 | Enables timer B3 interrupt requests | |

Bit 0: Timer B2 interrupt enable (IENTB2)

Bit 0 enables or disables timer B2 overflow interrupt requests.

Bit 0

| IENTB2 | Description | (initial value) |
|--------|--------------------------------------|-----------------|
| 0 | Disables timer B2 interrupt requests | (initial value) |
| 1 | Enables timer B2 interrupt requests | |

5. Interrupt enable register 3 (IENR3)

| Bit | 7 | 6 | 5 | 4 | 3 | 2 | 1 | 0 |
|---------------|--------|--------|--------|--------|--------|--------|--------|--------|
| | INTEN7 | INTEN6 | INTEN5 | INTEN4 | INTEN3 | INTEN2 | INTEN1 | INTEN0 |
| Initial value | 0 | 0 | 0 | 0 | 0 | 0 | 0 | 0 |
| Read/Write | R/W | R/W | R/W | R/W | R/W | R/W | R/W | R/W |

IENR3 is an 8-bit read/write register that enables or disables INT₇ to INT₀ interrupt requests. Upon reset, IENR3 is initialized to H'00.

Bits 7 to 0: INT₇ to INT₀ interrupt enable (INTEN7 to INTEN0)

Bits 7 to 0 enable or disable INT₇ to INT₀ interrupt requests.

Bit n

| INTENn | Description | (initial value) |
|--------|---|-----------------|
| 0 | Disables interrupt requests from pin \overline{INT}_n | (initial value) |
| 1 | Enables interrupt requests from pin \overline{INT}_n | |

(n = 7 to 0)

6. Interrupt request register 1 (IRR1)

| Bit | 7 | 6 | 5 | 4 | 3 | 2 | 1 | 0 |
|---------------|--------|-------|-------|---|-------|-------|-------|-------|
| | IRRTB1 | IRRTA | IRRTY | — | IRRI3 | IRRI2 | IRRI1 | IRRI0 |
| Initial value | 0 | 0 | 0 | 1 | 0 | 0 | 0 | 0 |
| Read/Write | R/W* | R/W* | R/W* | — | R/W* | R/W* | R/W* | R/W* |

Note: * Only a write of 0 for flag clearing is possible

IRR1 is an 8-bit read/write register, in which a corresponding flag is set to 1 when a timer B1, timer A, timer Y, or IRQ₃ to IRQ₀ interrupt is requested. The flags are not cleared automatically when an interrupt is accepted. It is necessary to write 0 to clear each flag. Upon reset, IRR1 is initialized to H'10.

Bit 7: Timer B1 interrupt request flag (IRRTB1)

| Bit 7 IRRTB1 | Description | |
|-----------------|--|-----------------|
| 0 | Clearing conditions: When IRRTB1 = 1, it is cleared by writing 0 | (initial value) |
| 1 | Setting conditions: When the timer B1 counter value overflows from H'FF to H'00 | |

Bit 6: Timer A interrupt request flag (IRRTA)

| Bit 6 IRRTA | Description | |
|----------------|---|-----------------|
| 0 | Clearing conditions: When IRRTA = 1, it is cleared by writing 0 | (initial value) |
| 1 | Setting conditions: When the timer A counter value overflows from H'FF to H'00 | |

Bit 5: Timer Y interrupt request flag (IRRTY)

| Bit 5 IRRTY | Description | |
|----------------|---|-----------------|
| 0 | Clearing conditions: When IRRTY = 1, it is cleared by writing 0 | (initial value) |
| 1 | Setting conditions: When the timer Y counter value overflows from H'FFFF to H'0000 | |

Bit 4: Reserved bit

Bit 4 is reserved; it is always read as 1, and cannot be modified.

Bits 3 to 0: IRQ₃ to IRQ₀ interrupt request flags (IRRI3 to IRRI0)

| Bit n IRRI _n | Description | |
|----------------------------|---|-----------------|
| 0 | Clearing conditions: When IRRI _n = 1, it is cleared by writing 0 | (initial value) |
| 1 | Setting conditions: When pin $\overline{\text{IRQ}}_n$ is designated for interrupt input and the designated signal edge is input | (n = 3 to 0) |

7. Interrupt request register 2 (IRR2)

| Bit | 7 | 6 | 5 | 4 | 3 | 2 | 1 | 0 |
|---------------|-------|-------|-------|-------|-------|-------|--------|--------|
| | IRRDT | IRRAD | IRRS2 | IRRS1 | IRRTE | IRRTC | IRRTB3 | IRRTB2 |
| Initial value | 0 | 0 | 0 | 0 | 0 | 0 | 0 | 0 |
| Read/Write | R/W* | R/W* | R/W* | R/W* | R/W* | R/W* | R/W* | R/W* |

Note: * Only a write of 0 for flag clearing is possible

IRR2 is an 8-bit read/write register, in which a corresponding flag is set to 1 when a direct transfer, A/D converter, SCI2, SCI1, timer E, timer C, timer B3, or timer B2 interrupt is requested. The flags are not cleared automatically when an interrupt is accepted. It is necessary to write 0 to clear each flag. Upon reset, IRR2 is initialized to H'00.

Bit 7: Direct transfer interrupt request flag (IRRDT)

Bit 7

| IRRDT | Description |
|-------|---|
| 0 | Clearing conditions: When IRRDT = 1, it is cleared by writing 0 (initial value) |
| 1 | Setting conditions: When a direct transfer is made by executing a SLEEP instruction while DTON = 1 in SYSCR2 |

Bit 6: A/D converter interrupt request flag (IRRAD)

Bit 6

| IRRAD | Description |
|-------|--|
| 0 | Clearing conditions: When IRRAD = 1, it is cleared by writing 0 (initial value) |
| 1 | Setting conditions: When A/D conversion is completed and ADSF is cleared to 0 in ADSR |

Bit 5: SCI2 interrupt request flag (IRRS2)

Bit 5

| IRRS2 | Description |
|-------|---|
| 0 | Clearing conditions: When IRRS2 = 1, it is cleared by writing 0 (initial value) |
| 1 | Setting conditions: When an SCI2 transfer is completed or aborted |

Bit 4: SCI1 interrupt request flag (IRRS1)

| Bit 4 IRRS1 | Description | |
|------------------------|--|-----------------|
| 0 | Clearing conditions: When IRRS1 = 1, it is cleared by writing 0 | (initial value) |
| 1 | Setting conditions: When an SCI1 transfer is completed | |

Bit 3: Timer E interrupt request flag (IRRTE)

| Bit 3 IRRTE | Description | |
|------------------------|---|-----------------|
| 0 | Clearing conditions: When IRRTE = 1, it is cleared by writing 0 | (initial value) |
| 1 | Setting conditions: When the timer E counter value overflows from H'FF to H'00 | |

Bit 2: Timer C interrupt request flag (IRRTC)

| Bit 2 IRRTC | Description | |
|------------------------|---|-----------------|
| 0 | Clearing conditions: When IRRTC = 1, it is cleared by writing 0 | (initial value) |
| 1 | Setting conditions: When the timer C counter value overflows from H'FF to H'00 or underflows from H'00 to H'FF | |

Bit 1: Timer B3 interrupt request flag (IRRTB3)

| Bit 1 IRRTB3 | Description | |
|-------------------------|--|-----------------|
| 0 | Clearing conditions: When IRRTB3 = 1, it is cleared by writing 0 | (initial value) |
| 1 | Setting conditions: When the timer B3 counter value overflows from H'FF to H'00 | |

Bit 0: Timer B2 interrupt request flag (IRRTB2)

| Bit 0 IRRTB2 | Description | |
|-------------------------|--|-----------------|
| 0 | Clearing conditions: When IRRTB2 = 1, it is cleared by writing 0 | (initial value) |
| 1 | Setting conditions: When the timer B2 counter value overflows from H'FF to H'00 | |

8. Interrupt request register 3 (IRR3)

| Bit | 7 | 6 | 5 | 4 | 3 | 2 | 1 | 0 |
|---------------|-------|-------|-------|-------|-------|-------|-------|-------|
| | INTF7 | INTF6 | INTF5 | INTF4 | INTF3 | INTF2 | INTF1 | INTF0 |
| Initial value | 0 | 0 | 0 | 0 | 0 | 0 | 0 | 0 |
| Read/Write | R/W* | R/W* | R/W* | R/W* | R/W* | R/W* | R/W* | R/W* |

Note: * Only a write of 0 for flag clearing is possible

IRR3 is an 8-bit read/write register, in which a corresponding flag is set to 1 by a transition at pin \overline{INT}_7 to \overline{INT}_0 . The flags are not cleared automatically when an interrupt is accepted. It is necessary to write 0 to clear each flag. Upon reset, IRR3 is initialized to H'00.

Bits 7 to 0: INT_7 to INT_0 interrupt request flags (INTF7 to INTF0)

| Bit n | INTFn | Description |
|-------|-------|--|
| 0 | | Clearing conditions: When INTFn = 1, it is cleared by writing 0 (initial value) |
| 1 | | Setting conditions: When the designated signal edge is input at pin \overline{INT}_n |

(n = 7 to 0)

Note: Pins \overline{INT}_7 to \overline{INT}_0 are multiplexed with port 5. Even in port usage of these pins, whenever the designated edge is input or output, the corresponding bit INTFn is set to 1.

3.3.3 External Interrupts

There are 13 external interrupts: NMI, IRQ_3 to IRQ_0 , an INT_7 to INT_0 .

1. NMI interrupt

The NMI interrupt is requested by input at the NMI pin. This interrupt can be detected by either rising edge sensing or falling edge sensing, depending on the setting of bit NMIEG in IEGR1. The NMI interrupt has highest priority and is always accepted, regardless of the setting of the I bit in CCR. The NMI interrupt has exception vector 3. When NMI exception handling is initiated, the I bit is set to 1 in CCR.

2. Interrupts IRQ_3 to IRQ_0

Interrupts IRQ_3 to IRQ_0 are requested by input signals to pins \overline{IRQ}_3 to \overline{IRQ}_0 . These interrupts are detected by either rising edge sensing or falling edge sensing, depending on the settings of bits IEG3 to IEG0 in IEGR1.

When these pins are designated as pins \overline{IRQ}_3 to \overline{IRQ}_0 in port mode register 1 and the designated edge is input, the corresponding bit in IRR1 is set to 1, requesting an interrupt. Recognition of these interrupt requests can be disabled individually by clearing bits IEN3 to IEN0 to 0 in IENR1. These interrupts can all be masked by setting the I bit to 1 in CCR.

When IRQ_3 to IRQ_0 interrupt exception handling is initiated, the I bit is set to 1 in CCR. Vector numbers 7 to 4 are assigned to interrupts IRQ_3 to IRQ_0 . The order of priority is from IRQ_0 (high) to IRQ_3 (low). Table 3-2 gives details.

3. INT interrupts

INT interrupts are requested by input signals to pins \overline{INT}_7 to \overline{INT}_0 . These interrupts are detected by either rising edge sensing or falling edge sensing, depending on the settings of bits INTEG7 to INTEG0 in IEGR2.

When the designated edge is input at pins \overline{INT}_7 to \overline{INT}_0 , the corresponding bit in IRR1 is set to 1, requesting an interrupt. Recognition of these interrupt requests can be disabled individually by clearing bits INTEN7 to INTEN0 to 0 in IENR3. These interrupts can all be masked by setting the I bit to 1 in CCR.

When INT interrupt exception handling is initiated, the I bit is set to 1 in CCR. Vector number 8 is assigned to the INT interrupts. All eight interrupts have the same vector number, so the interrupt-handling routine must discriminate the interrupt source.

Note: Pins \overline{INT}_7 to \overline{INT}_0 are multiplexed with port 5. Even in port usage of these pins, whenever the designated edge is input or output, the corresponding bit INTFn is set to 1.

3.3.4 Internal Interrupts

There are 22 internal interrupts that can be requested by the on-chip peripheral modules. When a peripheral module requests an interrupt, the corresponding bit in IRR1 or IRR2 is set to 1. Recognition of individual interrupt requests can be disabled by clearing the corresponding bit in IENR1 or IENR2. All these interrupts can be masked by setting the I bit to 1 in CCR. When internal interrupt handling is initiated, the I bit is set to 1 in CCR. Vector numbers from 23 to 9 are assigned to these interrupts. Table 3-2 shows the order of priority of interrupts from on-chip peripheral modules.

3.3.5 Interrupt Operations

Interrupts are controlled by an interrupt controller. Figure 3-2 shows a block diagram of the interrupt controller. Figure 3-3 shows the flow up to interrupt acceptance.

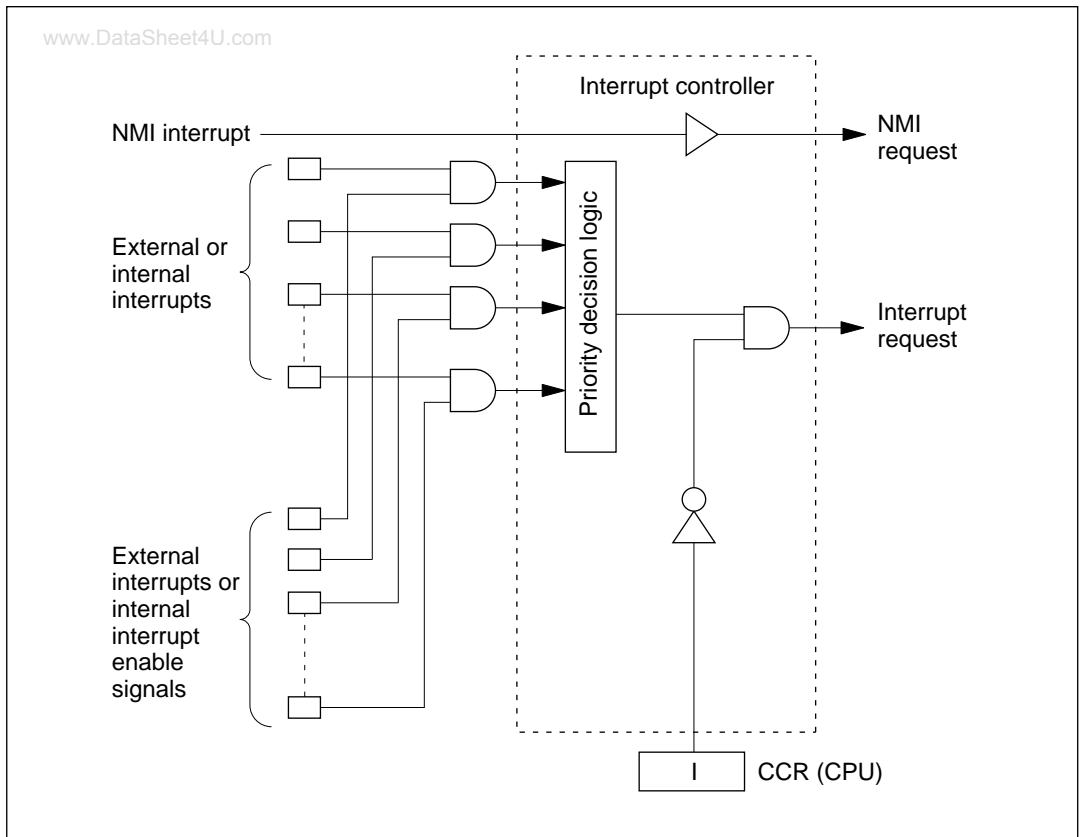


Figure 3-2 Block Diagram of Interrupt Controller

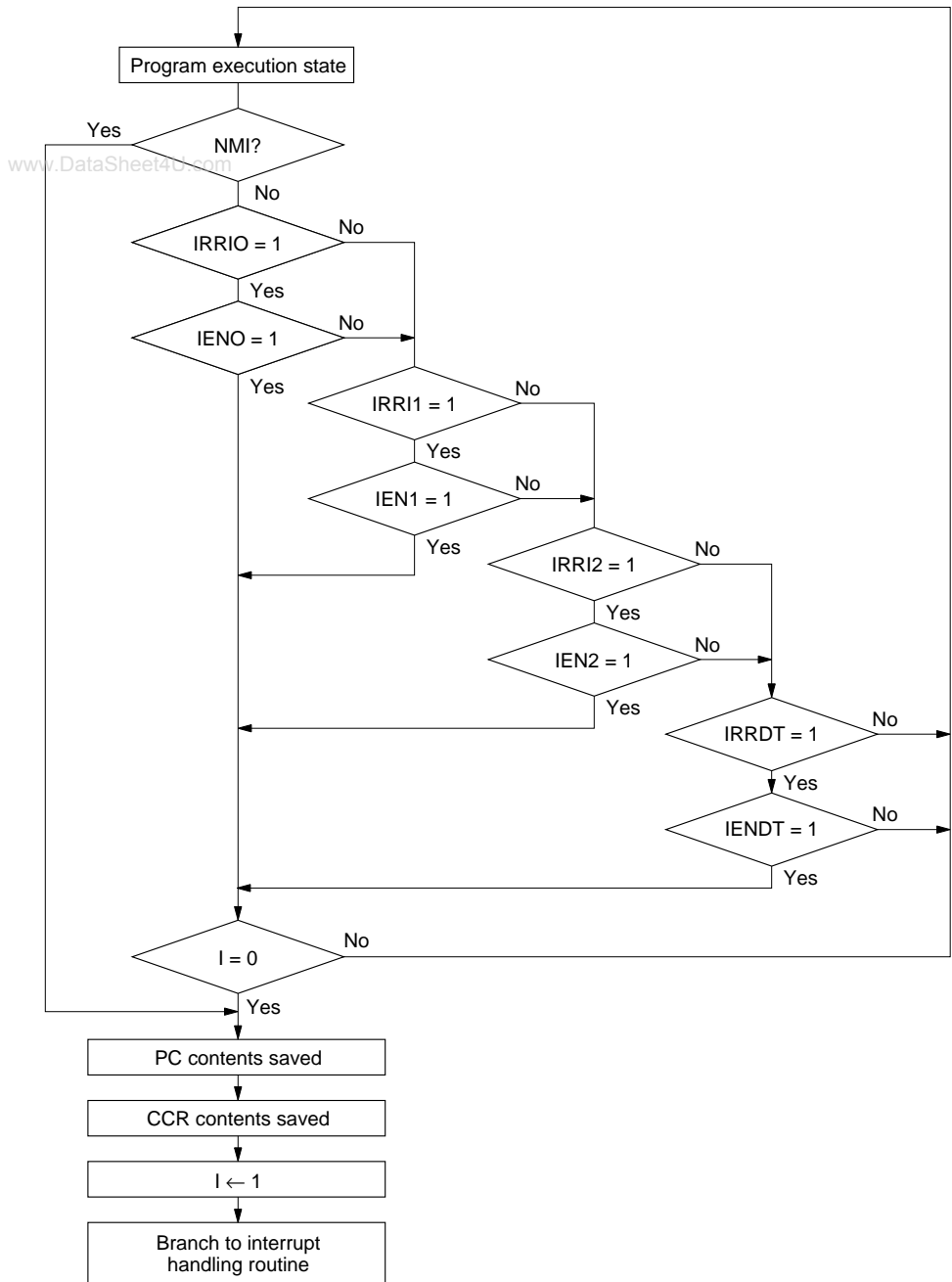
Interrupt operation is described as follows.

- When an interrupt condition is met while the interrupt enable register bit is set to 1, an interrupt request signal is sent to the interrupt controller.
- When the interrupt controller receives an interrupt request, it sets the interrupt request flag.
- From among the interrupts with interrupt request flags set to 1, the interrupt controller selects the interrupt request with the highest priority and holds the others pending. (Refer to table 3-2 for a list of interrupt priorities.)
- The interrupt controller checks the I bit of CCR. If the I bit is 0, the selected interrupt request is accepted; if the I bit is 1, the interrupt request is held pending.

- If the interrupt is accepted, after processing of the current instruction is completed, both PC and CCR are pushed onto the stack. The state of the stack at this time is shown in figure 3-4. The PC value pushed onto the stack is the address of the first instruction to be executed upon return from interrupt handling.
- The I bit of CCR is set to 1, masking further interrupts.
www.DataSheet4U.com
- The vector address corresponding to the accepted interrupt is generated, and the interrupt handling routine located at the address indicated by the contents of the vector address is executed.

Notes:

1. When disabling interrupts by clearing bits in an interrupt enable register, or when clearing bits in an interrupt request register, always do so while interrupts are masked ($I = 1$).
2. If the above clear operations are performed while $I = 0$, and as a result a conflict arises between the clear instruction and an interrupt request, exception processing for the interrupt will be executed after the clear instruction has been executed.



Notation:
 PC: Program counter
 CCR: Condition code register
 I: I bit of CCR

Figure 3-3 Flow up to Interrupt Acceptance

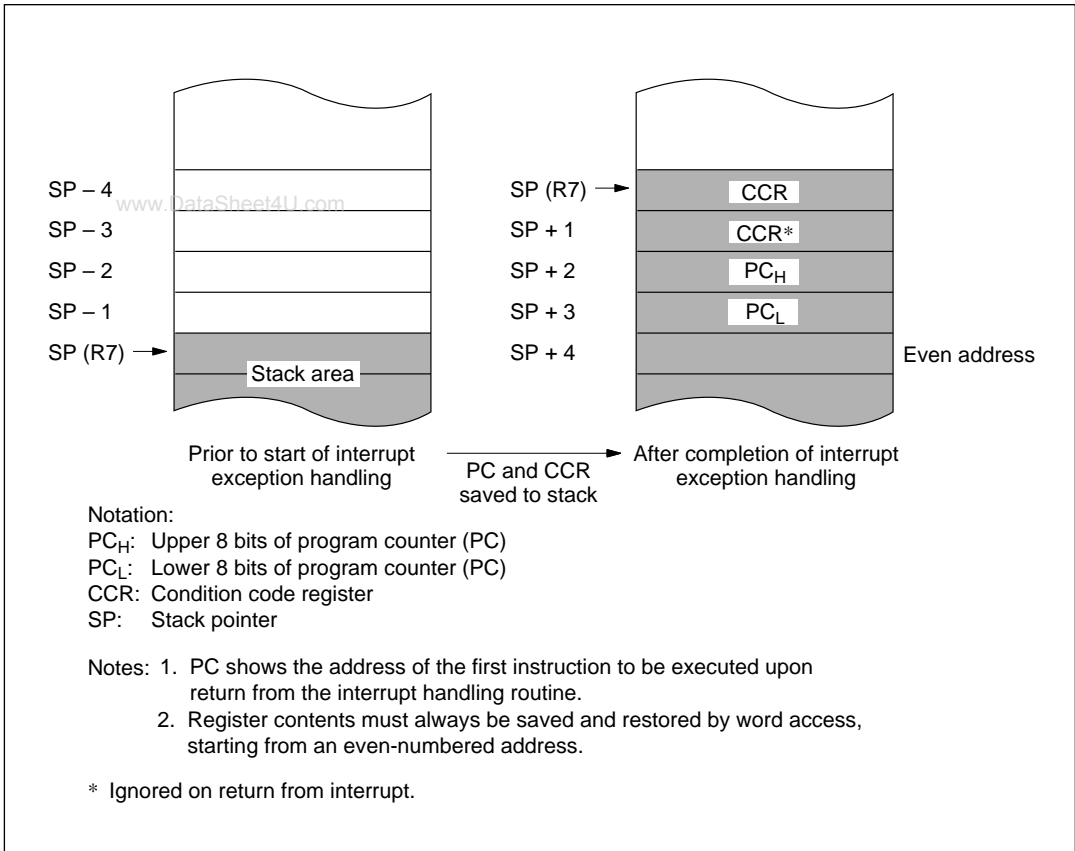
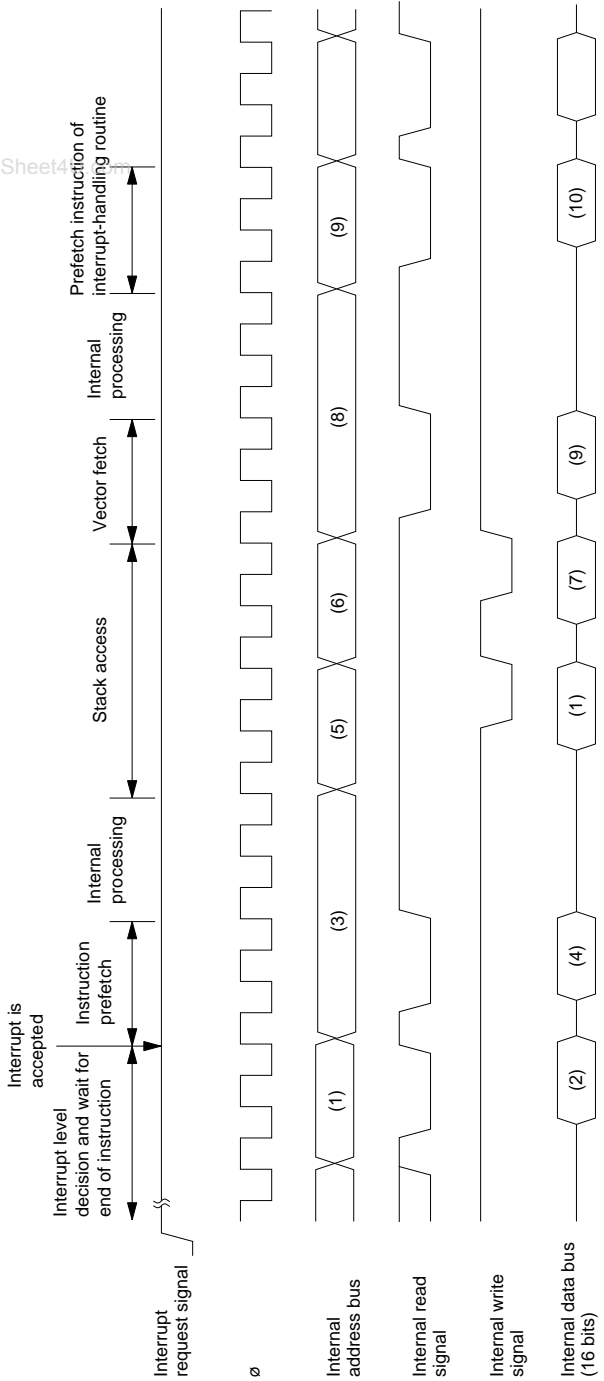


Figure 3-4 Stack State after Completion of Interrupt Exception Handling

Figure 3-5 shows a typical interrupt sequence where the program area is in the on-chip ROM and the stack area is in the on-chip RAM.



- (1) Instruction prefetch address (Instruction is not executed. Address is saved as PC contents, becoming return address.)
- (2)(4) Instruction code (not executed)
- (3) Instruction prefetch address (Instruction is not executed.)
- (5) SP - 2
- (6) SP - 4
- (7) CCR
- (8) Vector address
- (9) Starting address of interrupt-handling routine (contents of vector)
- (10) First instruction of interrupt-handling routine

Figure 3-5 Interrupt Sequence

3.3.6 Interrupt Response Time

Table 3-4 shows the number of wait states after an interrupt request flag is set until the first instruction of the interrupt handler is executed.

Table 3-4 Interrupt Wait States

www.DataSheet4U.com

| Item | States |
|---|---------------|
| Waiting time for completion of executing instruction* | 1 to 13 |
| Saving of PC and CCR to stack | 4 |
| Vector fetch | 2 |
| Instruction fetch | 4 |
| Internal processing | 4 |
| Total | 15 to 27 |

Note: * Not including EEPMOV instruction.

3.4 Application Notes

3.4.1 Notes on Stack Area Use

When word data is accessed in the H8/3927 Series, the least significant bit of the address is regarded as 0. Access to the stack always takes place in word size, so the stack pointer (SP: R7) should never indicate an odd address. Use PUSH Rn (MOV.W Rn, @-SP) or POP Rn (MOV.W @SP+, Rn) to save or restore register values.

Setting an odd address in SP may cause a program to crash. An example is shown in figure 3-6.

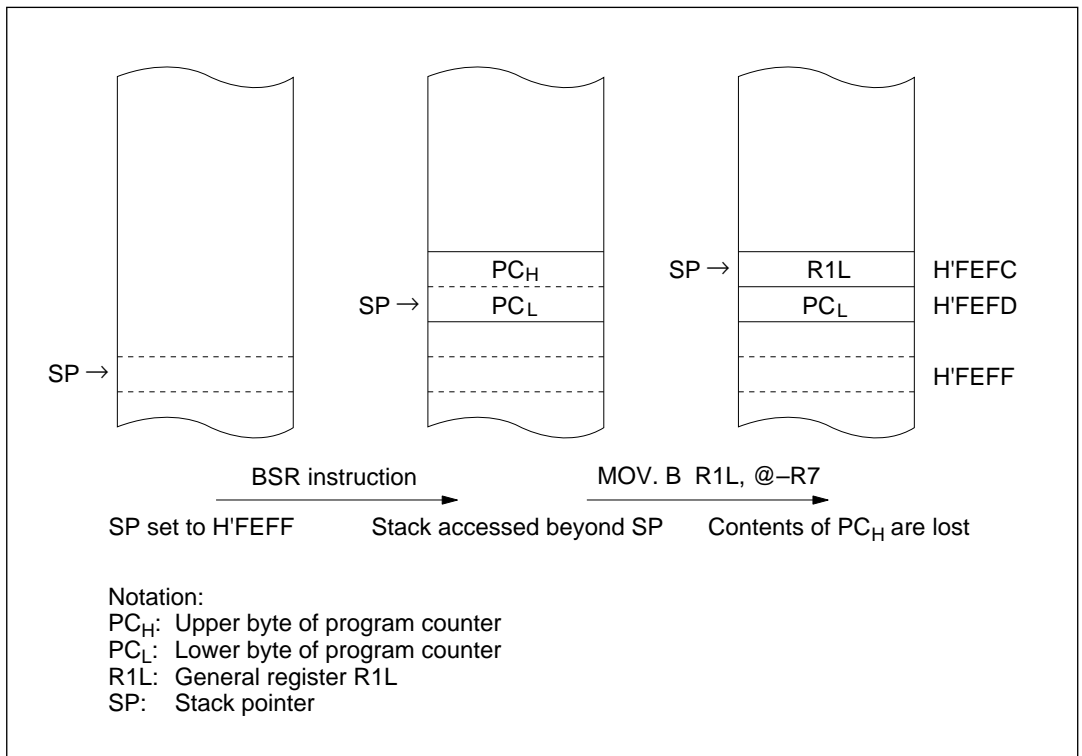


Figure 3-6 Operation when Odd Address is Set in SP

When CCR contents are saved to the stack during interrupt exception handling or restored when RTE is executed, this also takes place in word size. Both the upper and lower bytes of word data are saved to the stack; on return, the even address contents are restored to CCR while the odd address contents are ignored.

3.4.2 Notes on Rewriting Port Mode Registers

When a port mode register is rewritten to switch the functions of external interrupt pins, the following points should be observed.

When an external interrupt pin function is switched by rewriting the port mode register that controls pins \overline{IRQ}_3 to \overline{IRQ}_1 , the interrupt request flag may be set to 1 at the time the pin function is switched, even if no valid interrupt is input at the pin. Be sure to clear the interrupt request flag to 0 after switching pin functions. Table 3-5 shows the conditions under which interrupt request flags are set to 1 in this way.

Table 3-5 Conditions under which Interrupt Request Flag is Set to 1

| Interrupt Request Flags Set to 1 | | Conditions |
|----------------------------------|------|--|
| IRR1 | IRR3 | When PMR1 bit IRQ3 is changed from 0 to 1 while pin \overline{IRQ}_3 is low and IEGR bit IEG3 = 0. |
| | | When PMR1 bit IRQ3 is changed from 1 to 0 while pin \overline{IRQ}_3 is low and IEGR bit IEG3 = 1. |
| IRR2 | IRR2 | When PMR1 bit IRQ2 is changed from 0 to 1 while pin \overline{IRQ}_2 is low and IEGR bit IEG2 = 0. |
| | | When PMR1 bit IRQ2 is changed from 1 to 0 while pin \overline{IRQ}_2 is low and IEGR bit IEG2 = 1. |
| IRR1 | IRR1 | When PMR1 bit IRQ1 is changed from 0 to 1 while pin \overline{IRQ}_1 is low and IEGR bit IEG1 = 0. |
| | | When PMR1 bit IRQ1 is changed from 1 to 0 while pin \overline{IRQ}_1 is low and IEGR bit IEG1 = 1. |

Figure 3-7 shows the procedure for setting a bit in a port mode register and clearing the interrupt request flag.

When switching a pin function, mask the interrupt before setting the bit in the port mode register. After accessing the port mode register, execute at least one instruction (e.g., NOP), then clear the interrupt request flag from 1 to 0. If the instruction to clear the flag is executed immediately after the port mode register access without executing an intervening instruction, the flag will not be cleared.

An alternative method is to avoid the setting of interrupt request flags when pin functions are switched by keeping the pins at the high level so that the conditions in table 3-5 do not occur.

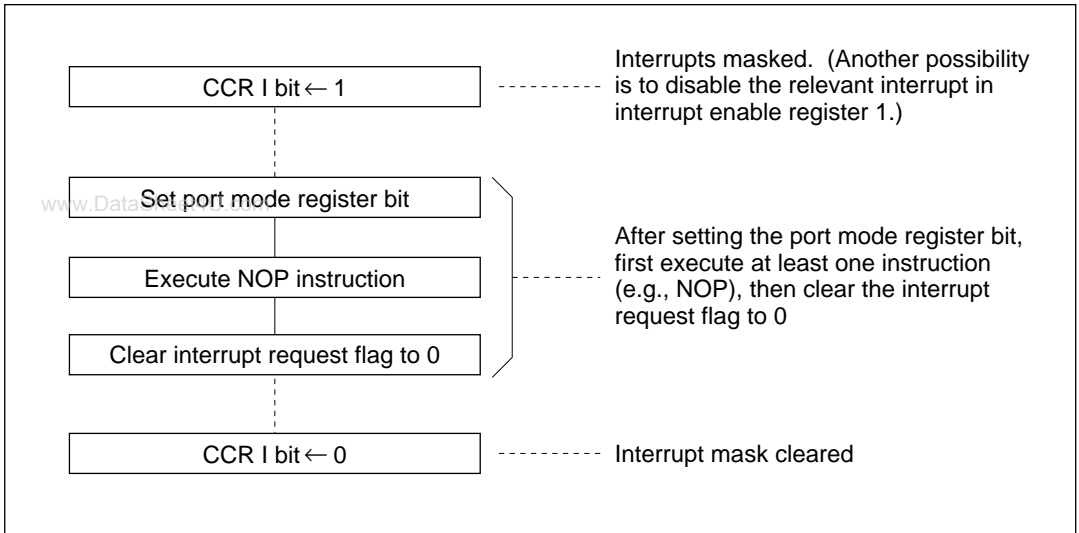


Figure 3-7 Port Mode Register Setting and Interrupt Request Flag Clearing Procedure

Section 4 Clock Pulse Generators

4.1 Overview

Clock oscillator circuitry (CPG: clock pulse generator) is provided on-chip, including both a system clock pulse generator and a subclock pulse generator. The system clock pulse generator consists of a system clock oscillator and system clock dividers. The subclock pulse generator consists of a subclock oscillator circuit and a subclock divider.

4.1.1 Block Diagram

Figure 4-1 shows a block diagram of the clock pulse generators.

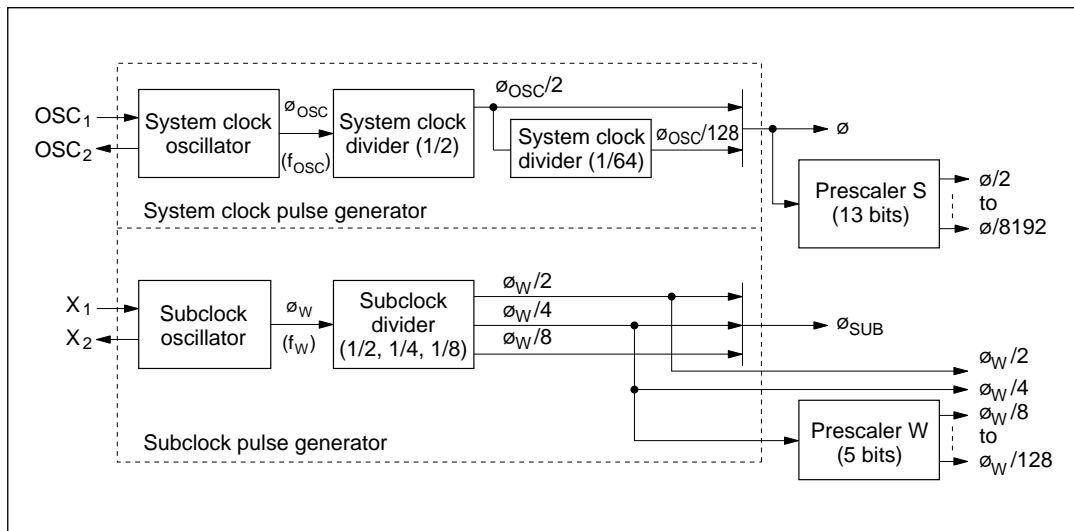


Figure 4-1 Block Diagram of Clock Pulse Generators

4.1.2 System Clock and Subclock

The basic clock signals that drive the CPU and on-chip peripheral modules are ϕ and ϕ_{SUB} . Four of the clock signals have names: ϕ is the system clock, ϕ_{SUB} is the subclock, ϕ_{OSC} is the oscillator clock, and ϕ_W is the watch clock.

The clock signals available for use by peripheral modules are $\phi/2$, $\phi/4$, $\phi/8$, $\phi/16$, $\phi/32$, $\phi/64$, $\phi/128$, $\phi/256$, $\phi/512$, $\phi/1024$, $\phi/2048$, $\phi/4096$, $\phi/8192$, $\phi_W/2$, $\phi_W/4$, $\phi_W/8$, $\phi_W/16$, $\phi_W/32$, $\phi_W/64$, and $\phi_W/128$. The clock requirements differ from one module to another.

4.2 System Clock Generator

Clock pulses can be supplied to the system clock divider either by connecting a crystal or ceramic oscillator, or by providing external clock input.

1. Connecting a crystal oscillator

www.DataSheet4U.com

Figure 4-2 shows a typical method of connecting a crystal oscillator.

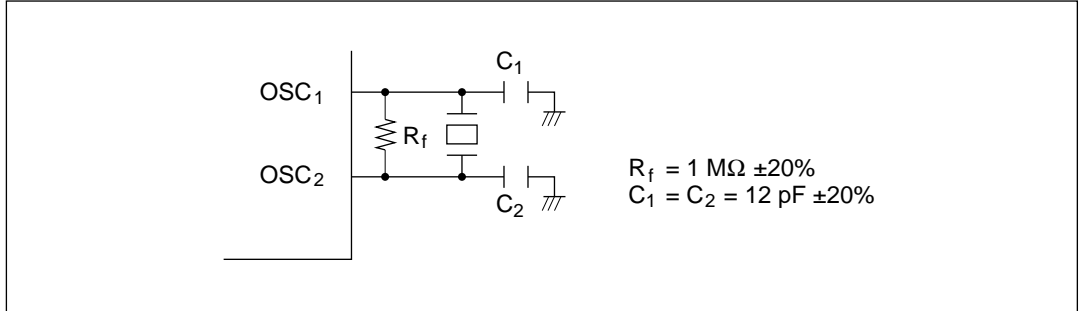


Figure 4-2 Typical Connection to Crystal Oscillator

Figure 4-3 shows the equivalent circuit of a crystal oscillator. An oscillator having the characteristics given in table 4-1 should be used.

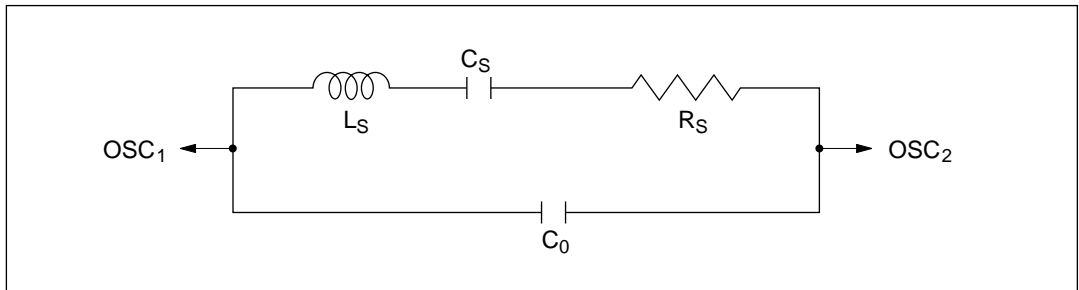


Figure 4-3 Equivalent Circuit of Crystal Oscillator

Table 4-1 Crystal Oscillator Parameters

| | | | | |
|------------------------|----------|-----|----|----|
| Frequency | 2 | 4 | 8 | 10 |
| R_S max (Ω) | 500 | 100 | 50 | 30 |
| C_0 (pF) | 7 pF max | | | |

2. Connecting a ceramic oscillator

Figure 4-4 shows a typical method of connecting a ceramic oscillator.

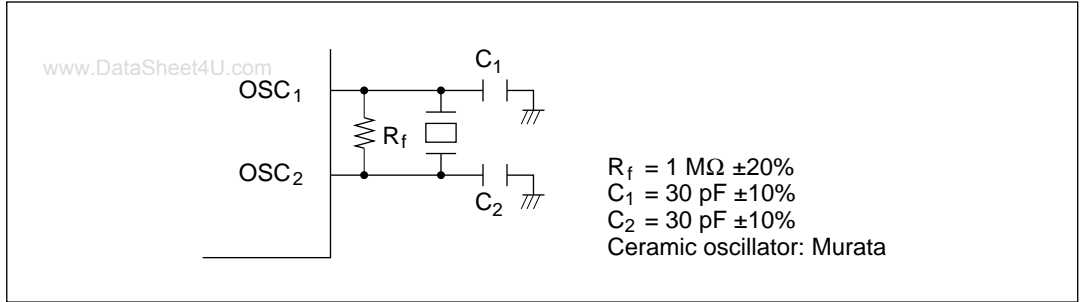


Figure 4-4 Typical Connection to Ceramic Oscillator

3. Notes on board design

When generating clock pulses by connecting a crystal or ceramic oscillator, pay careful attention to the following points.

Avoid running signal lines close to the oscillator circuit, since the oscillator may be adversely affected by induction currents. (See figure 4-5.)

The board should be designed so that the oscillator and load capacitors are located as close as possible to pins OSC₁ and OSC₂.

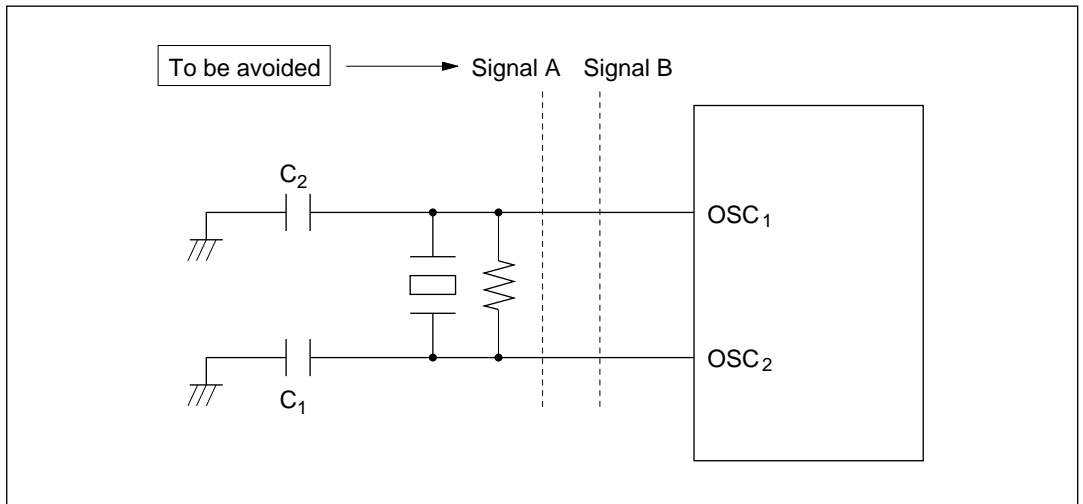


Figure 4-5 Board Design of Oscillator Circuit

4. External clock input method

Connect an external clock signal to pin OSC₁, and leave pin OSC₂ open. Figure 4-6 shows a typical connection.

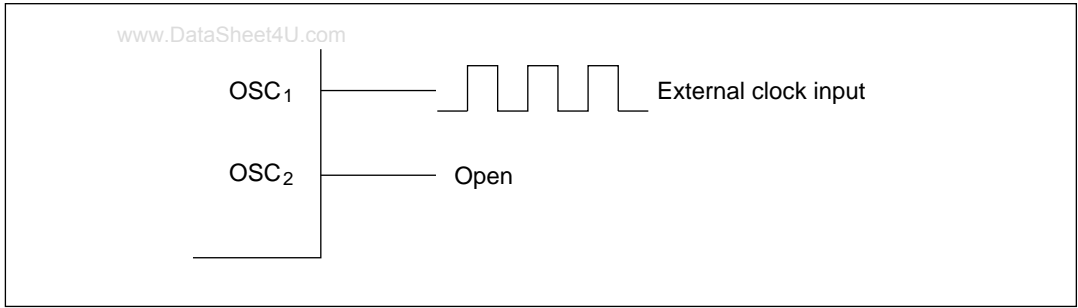


Figure 4-6 External Clock Input (Example)

| Frequency | Oscillator Clock (ϕ_{OSC}) |
|------------------|---|
| Duty cycle | 45% to 55% |

4.3 Subclock Generator

1. Connecting a 32.768-kHz crystal oscillator

Clock pulses can be supplied to the subclock divider by connecting a 32.768-kHz crystal oscillator, as shown in figure 4-7. Follow the same precautions as noted under 4.2.3 for the system clock.

www.DataSheet4U.com

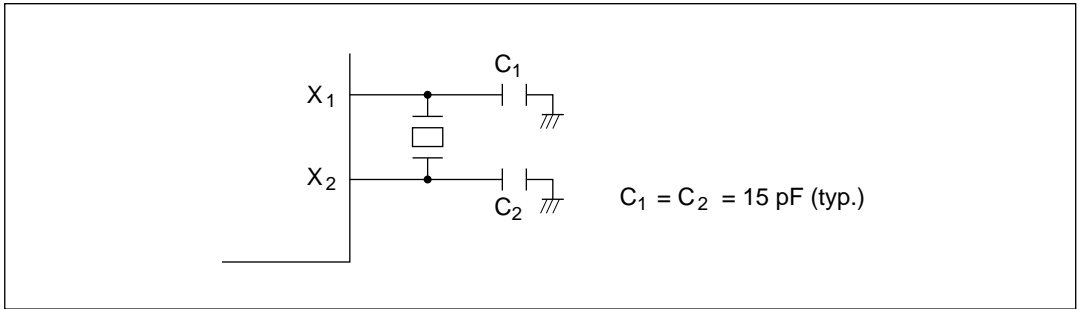


Figure 4-7 Typical Connection to 32.768-kHz Crystal Oscillator (Subclock)

Figure 4-8 shows the equivalent circuit of the 32.768-kHz crystal oscillator.

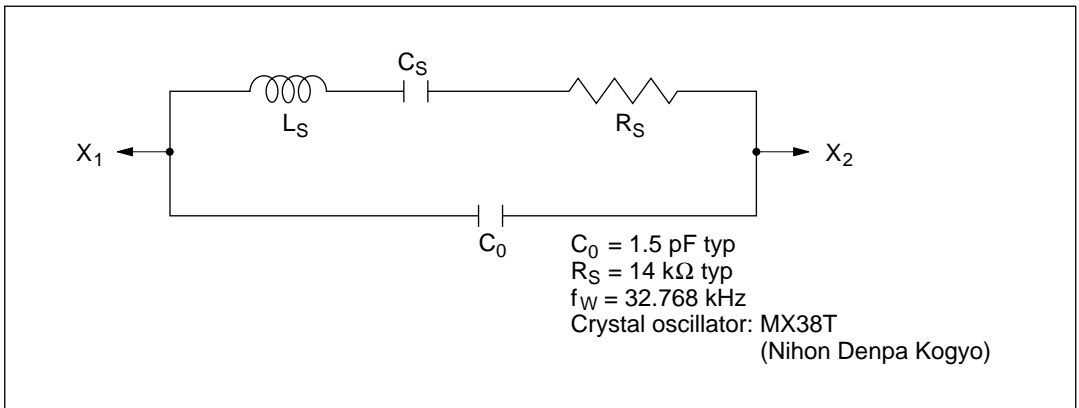


Figure 4-8 Equivalent Circuit of 32.768-kHz Crystal Oscillator

2. Pin connection when not using subclock

When the subclock is not used, connect pin X_1 to V_{CC} and leave pin X_2 open, as shown in figure 4-9.

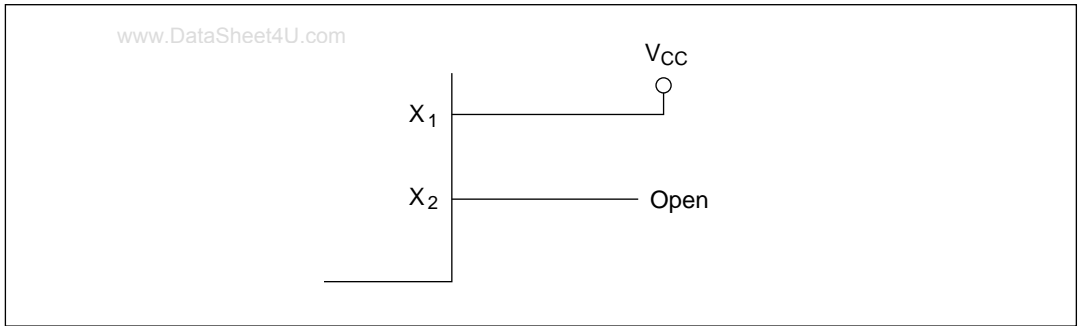


Figure 4-9 Pin Connection when not Using Subclock

4.4 Prescalers

The H8/3927 Series is equipped with two on-chip prescalers having different input clocks (prescaler S and prescaler W). Prescaler S is a 13-bit counter using the system clock (ϕ) as its input clock. Its prescaled outputs provide internal clock signals for on-chip peripheral modules. Prescaler W is a 5-bit counter using a 32.768-kHz signal divided by 4 ($\phi_W/4$) as its input clock. Its prescaled outputs are used by timer A as a time base for timekeeping.

1. Prescaler S (PSS)

Prescaler S is a 13-bit counter using the system clock (ϕ) as its input clock. It is incremented once per clock period.

Prescaler S is initialized to H'0000 by a reset, and starts counting on exit from the reset state.

In standby mode, watch mode, subactive mode, and subsleep mode, the system clock pulse generator stops. Prescaler S also stops and is initialized to H'0000.

The CPU cannot read or write prescaler S.

The output from prescaler S is shared by the on-chip peripheral modules. The divider ratio can be set separately for each on-chip peripheral function.

In active (medium-speed) mode the clock input to prescaler S is $\phi_{OSC}/128$.

2. Prescaler W (PSW)

Prescaler W is a 5-bit counter using a 32.768 kHz signal divided by 4 ($\phi_W/4$) as its input clock.

Prescaler W is initialized to H'00 by a reset, and starts counting on exit from the reset state.

Even in standby mode, watch mode, subactive mode, or subsleep mode, prescaler W continues functioning so long as clock signals are supplied to pins X₁ and X₂.

Prescaler W can be reset by setting 1s in bits TMA3 and TMA2 of timer mode register A (TMA).

Output from prescaler W can be used to drive timer A, in which case timer A functions as a time base for timekeeping.

4.5 Note on Oscillators

Oscillator characteristics are closely related to board design and should be carefully evaluated by the user, referring to the examples shown in this section. Oscillator circuit constants will differ depending on the oscillator element, stray capacitance in its interconnecting circuit, and other factors. Suitable constants should be determined in consultation with the oscillator element manufacturer. Design the circuit so that the oscillator element never receives voltages exceeding its maximum rating.

Section 5 Power-Down Modes

5.1 Overview

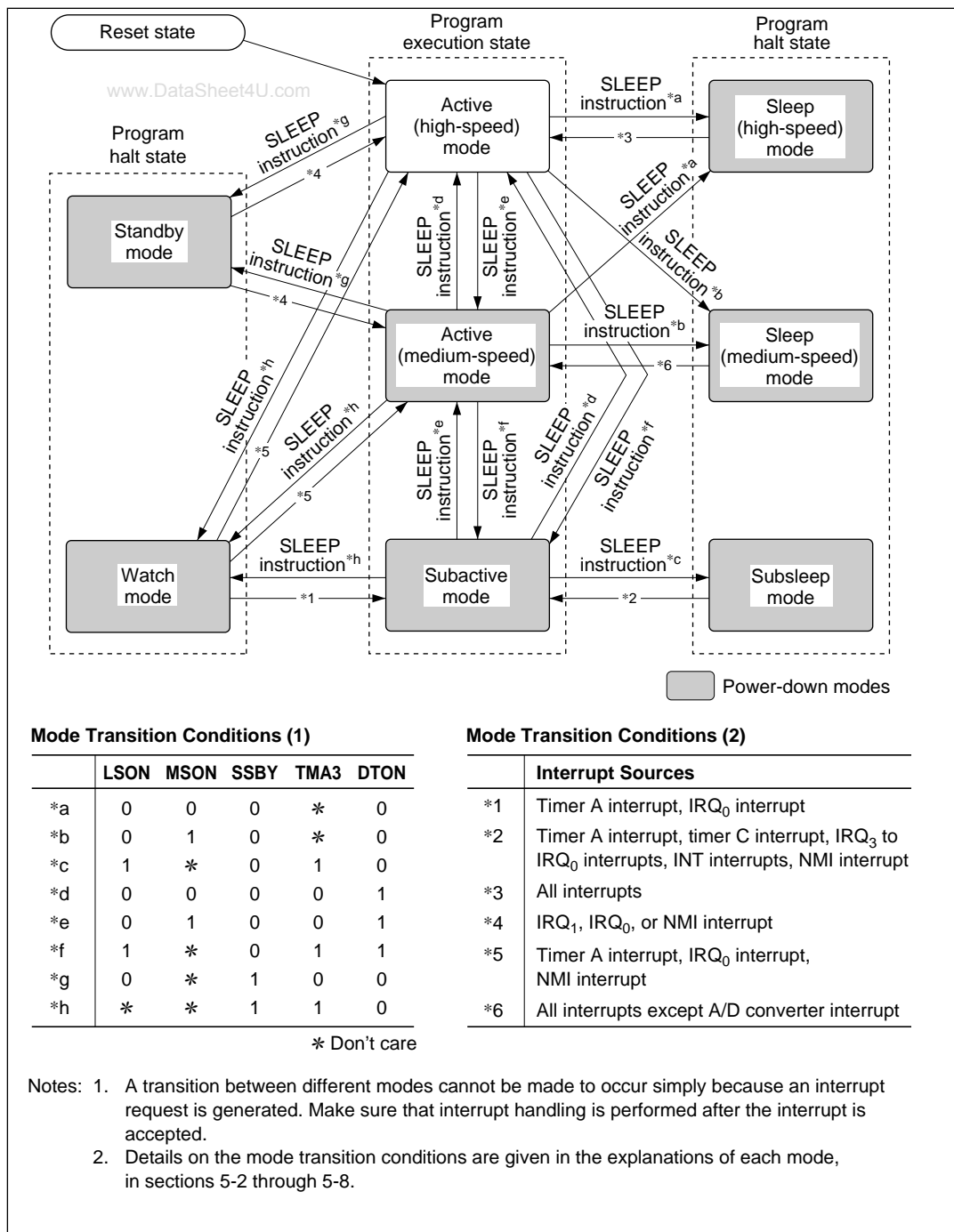
The H8/3927 Series has eight modes of operation after a reset. These include seven power-down modes, in which power dissipation is significantly reduced. Table 5-1 gives a summary of the eight operating modes.

Table 5-1 Operating Modes

| Operating Mode | Description |
|----------------------------|--|
| Active (high-speed) mode | The CPU and all on-chip peripheral functions are operable on the system clock |
| Active (medium-speed) mode | The CPU and all on-chip peripheral functions are operable on the system clock, but at 1/64 the speed in active (high-speed) mode |
| Subactive mode | The CPU, timer C, and the time-base function of timer A are operable on the subclock |
| Sleep (high-speed) mode | The CPU halts. On-chip peripheral functions except PWM are operable on the system clock |
| Sleep (medium-speed) mode | The CPU halts. On-chip peripheral functions except PWM are operable on the system clock, but at 1/64 the speed in active (high-speed) mode |
| Subsleep mode | The CPU halts. Timer C and the time-base function of timer A are operable on the subclock |
| Watch mode | The CPU halts. The time-base function of timer A is operable on the subclock |
| Standby mode | The CPU and all on-chip peripheral functions halt |

Of these eight operating modes, all but the active (high-speed) mode are power-down modes. In this section the two active modes (high-speed and medium speed) will be referred to collectively as active mode, and the two sleep modes (high-speed and medium speed) will be referred to collectively as sleep mode.

Figure 5-1 shows the transitions among these operation modes. Table 5-2 indicates the internal states in each mode.



Mode Transition Conditions (1)

| | LSON | MSON | SSBY | TMA3 | DTON |
|----|------|------|------|------|------|
| *a | 0 | 0 | 0 | * | 0 |
| *b | 0 | 1 | 0 | * | 0 |
| *c | 1 | * | 0 | 1 | 0 |
| *d | 0 | 0 | 0 | 0 | 1 |
| *e | 0 | 1 | 0 | 0 | 1 |
| *f | 1 | * | 0 | 1 | 1 |
| *g | 0 | * | 1 | 0 | 0 |
| *h | * | * | 1 | 1 | 0 |

* Don't care

Mode Transition Conditions (2)

| | Interrupt Sources |
|----|--|
| *1 | Timer A interrupt, IRQ ₀ interrupt |
| *2 | Timer A interrupt, timer C interrupt, IRQ ₃ to IRQ ₀ interrupts, INT interrupts, NMI interrupt |
| *3 | All interrupts |
| *4 | IRQ ₁ , IRQ ₀ , or NMI interrupt |
| *5 | Timer A interrupt, IRQ ₀ interrupt, NMI interrupt |
| *6 | All interrupts except A/D converter interrupt |

- Notes:
1. A transition between different modes cannot be made to occur simply because an interrupt request is generated. Make sure that interrupt handling is performed after the interrupt is accepted.
 2. Details on the mode transition conditions are given in the explanations of each mode, in sections 5-2 through 5-8.

Figure 5-1 Mode Transition Diagram

Table 5-2 Internal State in Each Operating Mode

| Function | Active Mode | | Sleep Mode | | Watch Mode | Subactive Mode | Subsleep Mode | Standby Mode | |
|-------------------------|------------------|--------------|------------|--------------|------------|----------------|--------------------------|--------------------------|------------|
| | High-Speed | Medium-Speed | High-Speed | Medium-Speed | | | | | |
| System clock oscillator | Functions | Functions | Functions | Functions | Halted | Halted | Halted | Halted | |
| Subclock oscillator | Functions | Functions | Functions | Functions | Functions | Functions | Functions | Functions | |
| CPU operations | Instructions | Functions | Functions | Halted | Halted | Halted | Functions | Halted | Halted |
| | Registers | | | Retained | Retained | Retained | | Retained | Retained |
| | RAM | | | | | | | | |
| | I/O ports | | | | | | | | Retained*1 |
| External interrupts | NMI | Functions | Functions | Functions | Functions | Functions | Functions | Functions | Functions |
| | IRQ ₀ | Functions | Functions | Functions | Functions | Functions | Functions | Functions | Functions |
| | IRQ ₁ | | | | | Retained*4 | | | |
| | IRQ ₂ | | | | | | | | Retained*4 |
| | IRQ ₃ | | | | | | | | |
| | INT ₀ | Functions | Functions | Functions | Functions | Retained*4 | Functions | Functions | Retained*4 |
| | INT ₁ | | | | | | | | |
| | INT ₂ | | | | | | | | |
| | INT ₃ | | | | | | | | |
| Peripheral functions | Timer A | Functions | Functions | Functions | Functions | Functions*3 | Functions*3 | Functions*3 | Retained |
| | Timer B1 | | | | | Retained | Retained | Retained | |
| | Timer B2 | | | | | | | | |
| | Timer B3 | | | | | | | | |
| | Timer C | | | | | | Functions/ retained*2 | Functions/ retained*2 | |
| | Timer E | | | | | | Retained | Retained | |
| | Timer V | | | | | Reset | Reset | Reset | Reset |
| | Timer X | | | | | | | | |
| | Timer Y | | | | | Retained | Retained | Retained | Retained |
| | Watchdog timer | | | | | | | | |
| | SCI1 | | | | | | | | |
| | SCI2 | | | | | | | | |
| | PWM | | | Retained | Retained | | | | |
| | A/D converter | | Retained | Functions | | | | | |
| D/A converter | | Functions | | | Functions | Functions | Functions | Reset*5 | |

- Notes:
1. Register contents are retained, but output is in high-impedance state.
 2. Functions only if external clock or internal $\phi_{W/4}$ clock is selected; otherwise halted and retained.
 3. Functions if timekeeping time-base function is selected.
 4. External interrupt requests are ignored. Interrupt request register contents are not altered.
 5. Data register contents are retained, but output is in high-impedance state.

5.1.1 System Control Registers

The operation mode is selected using the system control registers described in table 5-3.

Table 5-3 System Control Register

| Name | Abbreviation | R/W | Initial Value | Address |
|---------------------------|--------------|-----|---------------|---------|
| System control register 1 | SYSCR1 | R/W | H'07 | H'FFF0 |
| System control register 2 | SYSCR2 | R/W | H'E0 | H'FFF1 |

1. System control register 1 (SYSCR1)

| Bit | 7 | 6 | 5 | 4 | 3 | 2 | 1 | 0 |
|---------------|------|------|------|------|------|---|---|---|
| | SSBY | STS2 | STS1 | STS0 | LSON | — | — | — |
| Initial value | 0 | 0 | 0 | 0 | 0 | 1 | 1 | 1 |
| Read/Write | R/W | R/W | R/W | R/W | R/W | — | — | — |

SYSCR1 is an 8-bit read/write register for control of the power-down modes.

Upon reset, SYSCR1 is initialized to H'07.

Bit 7: Software standby (SSBY)

This bit designates transition to standby mode or watch mode.

| Bit 7 SSBY | Description |
|---------------|--|
| 0 | <ul style="list-style-type: none"> When a SLEEP instruction is executed in active mode, a transition is made to sleep mode (initial value) When a SLEEP instruction is executed in subactive mode, a transition is made to subsleep mode |
| 1 | <ul style="list-style-type: none"> When a SLEEP instruction is executed in active mode, a transition is made to standby mode or watch mode When a SLEEP instruction is executed in subactive mode, a transition is made to watch mode |

Bits 6 to 4: Standby timer select 2 to 0 (STS2 to STS0)

These bits designate the time the CPU and peripheral modules wait for stable clock operation after exiting from standby mode or watch mode to active mode due to an interrupt. The designation should be made according to the clock frequency so that the waiting time is at least 10 ms.

| Bit 6 STS2 | Bit 5 STS1 | Bit 4 STS0 | Description |
|---------------|---------------|---------------|--|
| 0 | 0 | 0 | Wait time = 8,192 states (initial value) |
| 0 | 0 | 1 | Wait time = 16,384 states |
| 0 | 1 | 0 | Wait time = 32,768 states |
| 0 | 1 | 1 | Wait time = 65,536 states |
| 1 | * | * | Wait time = 131,072 states |

Note: * Don't care

Bit 3: Low speed on flag (LSON)

This bit chooses the system clock (ϕ) or subclock (ϕ_{SUB}) as the CPU operating clock when watch mode is cleared. The resulting operation mode depends on the combination of other control bits and interrupt input.

| Bit 3 LSON | Description |
|---------------|---|
| 0 | The CPU operates on the system clock (ϕ) (initial value) |
| 1 | The CPU operates on the subclock (ϕ_{SUB}) |

Bits 2 to 0: Reserved bits

These bits are reserved; they are always read as 1, and cannot be modified.

2. System control register 2 (SYSCR2)

| Bit | 7 | 6 | 5 | 4 | 3 | 2 | 1 | 0 |
|---------------|---|---|---|-------|------|------|-----|-----|
| | — | — | — | NESEL | DTON | MSON | SA1 | SA0 |
| Initial value | 1 | 1 | 1 | 0 | 0 | 0 | 0 | 0 |
| Read/Write | — | — | — | R/W | R/W | R/W | R/W | R/W |

SYSCR2 is an 8-bit read/write register for power-down mode control.

Upon reset, SYSCR2 is initialized to H'E0.

Bits 7 to 5: Reserved bits

These bits are reserved; they are always read as 1, and cannot be modified.

Bit 4: Noise elimination sampling frequency select (NESEL)

This bit selects the frequency at which the watch clock signal (ϕ_W) generated by the subclock pulse generator is sampled, in relation to the oscillator clock (ϕ_{OSC}) generated by the system clock pulse generator. When $\phi_{OSC} = 2$ to 10 MHz, clear NESEL to 0.

Bit 4

| NESEL | Description |
|-------|----------------------------------|
| 0 | Sampling rate is $\phi_{OSC}/16$ |
| 1 | Sampling rate is $\phi_{OSC}/4$ |

Bit 3: Direct transfer on flag (DTON)

This bit designates whether or not to make direct transitions among active (high-speed), active (medium-speed) and subactive mode when a SLEEP instruction is executed. The mode to which the transition is made after the SLEEP instruction is executed depends on a combination of this and other control bits.

Bit 3

| DTON | Description |
|------|---|
| 0 | <ul style="list-style-type: none">• When a SLEEP instruction is executed in active mode, a transition (initial value) is made to standby mode, watch mode, or sleep mode• When a SLEEP instruction is executed in subactive mode, a transition is made to watch mode or subsleep mode |
| 1 | <ul style="list-style-type: none">• When a SLEEP instruction is executed in active (high-speed) mode, a direct transition is made to active (medium-speed) mode if SSBY = 0, MSON = 1, and LSON = 0, or to subactive mode if SSBY = 1, TMA3 = 1, and LSON = 1• When a SLEEP instruction is executed in active (medium-speed) mode, a direct transition is made to active (high-speed) mode if SSBY = 0, MSON = 0, and LSON = 0, or to subactive mode if SSBY = 1, TMA3 = 1, and LSON = 1• When a SLEEP instruction is executed in subactive mode, a direct transition is made to active (high-speed) mode if SSBY = 1, TMA3 = 1, LSON = 0, and MSON = 0, or to active (medium-speed) mode if SSBY = 1, TMA3 = 1, LSON = 0, and MSON = 1 |

Bit 2: Medium speed on flag (MSON)

After standby, watch, or sleep mode is cleared, this bit selects active (high-speed) or active (medium-speed) mode.

Bit 2

| MSON | Description |
|------|--|
| 0 | <ul style="list-style-type: none"> After standby, watch, or sleep mode is cleared, operation is in active (high-speed) mode When a SLEEP instruction is executed in active mode, a transition is made to sleep (high-speed) mode (initial value) |
| 1 | <ul style="list-style-type: none"> After standby, watch, or sleep mode is cleared, operation is in active (medium-speed) mode When a SLEEP instruction is executed in active mode, a transition is made to sleep (medium-speed) mode |

Bits 1 and 0: Subactive mode clock select (SA1 and SA0)

These bits select the CPU clock rate ($\phi_W/2$, $\phi_W/4$, or $\phi_W/8$) in subactive mode. SA1 and SA0 cannot be modified in subactive mode.

| Bit 1 SA1 | Bit 0 SA0 | Description |
|--------------|--------------|----------------------------|
| 0 | 0 | $\phi_W/8$ (initial value) |
| 0 | 1 | $\phi_W/4$ |
| 1 | * | $\phi_W/2$ |

Note: * Don't care

5.2 Sleep Mode

5.2.1 Transition to Sleep Mode

1. Transition to sleep (high-speed) mode

The system goes from active mode to sleep (high-speed) mode when a SLEEP instruction is executed while the SSBY and LSON bits in SYSCR1 and the MSON and DTON bits in SYSCR2 are all cleared to 0. In sleep (high-speed) mode CPU operation is halted but the on-chip peripheral functions other than PWM are operational. CPU register contents are retained.

2. Transition to sleep (medium-speed) mode

The system goes from active mode to sleep (medium-speed) mode when a SLEEP instruction is executed while the SSBY and LSON bits in SYSCR1 are cleared to 0, the MSON bit in SYSCR2 is set to 1, and the DTON bit in SYSCR2 is cleared to 0. In sleep (medium-speed) mode, as in sleep (high-speed) mode, CPU operation is halted but the on-chip peripheral functions other than PWM are operational. The clock frequency in sleep (medium-speed) mode is 1/64 the frequency in sleep (high-speed) mode, however. CPU register contents are retained.

5.2.2 Clearing Sleep Mode

Sleep mode is cleared by any interrupt (timer A, timer B1, timer B2, timer B3, timer C, timer E, timer X, timer Y, timer V, IRQ₃ to IRQ₀, INT₇ to INT₀, NMI, SCI2, SCI1, or A/D converter) or by input at the RES pin. Sleep (medium-speed) mode is not cleared by an A/D converter interrupt, however.

- Clearing by interrupt

When an interrupt is requested, sleep mode is cleared and interrupt exception handling starts. A transition is made from sleep (high-speed) mode to active (high-speed) mode, or from sleep (medium-speed) mode to active (medium-speed) mode. Sleep mode is not cleared if the I bit of the condition code register (CCR) is set to 1 or the particular interrupt is disabled in the interrupt enable register.

- Clearing by RES input

When the $\overline{\text{RES}}$ pin goes low, the CPU goes into the reset state and sleep mode is cleared.

5.2.3 Clock Frequency in Sleep (Medium-Speed) Mode

Operation in sleep (medium-speed) mode is clocked at 1/64 the frequency in sleep (high-speed) mode.

5.3 Standby Mode

5.3.1 Transition to Standby Mode

The system goes from active mode to standby mode when a SLEEP instruction is executed while the SSBY bit in SYSCR1 is set to 1, the LSON bit in SYSCR1 is cleared to 0, and bit TMA3 in TMA is cleared to 0. In standby mode the clock pulse generator stops, so the CPU and on-chip peripheral modules stop functioning, but as long as the rated voltage is supplied, the contents of CPU registers, on-chip RAM, and some on-chip peripheral module registers are retained. On-chip RAM contents will be further retained down to a minimum RAM data retention voltage. The I/O ports go to the high-impedance state.

5.3.2 Clearing Standby Mode

Standby mode is cleared by an interrupt (IRQ₁, IRQ₀, or NMI) or by input at the $\overline{\text{RES}}$ pin.

- Clearing by interrupt

When an interrupt is requested, the system clock pulse generator starts. After the time set in bits STS2–STS0 in SYSCR1 has elapsed, a stable system clock signal is supplied to the entire chip, standby mode is cleared, and interrupt exception handling starts. Operation resumes in active (high-speed) mode if MSON = 0 in SYSCR2, or active (medium-speed) mode if MSON = 1. Standby mode is not cleared if the I bit of CCR is set to 1 or the particular interrupt is disabled in the interrupt enable register.

- Clearing by $\overline{\text{RES}}$ input

When the $\overline{\text{RES}}$ pin goes low, the system clock pulse generator starts and standby mode is cleared. After the pulse generator output has stabilized, if the $\overline{\text{RES}}$ pin is driven high, the CPU starts reset exception handling. Since system clock signals are supplied to the entire chip as soon as the system clock pulse generator starts functioning, the $\overline{\text{RES}}$ pin should be kept at the low level until the pulse generator output stabilizes.

5.3.3 Oscillator Settling Time after Standby Mode is Cleared

Bits STS2 to STS0 in SYSCR1 should be set as follows.

- When a crystal oscillator is used

The table below gives settings for various operating frequencies. Set bits STS2 to STS0 for a waiting time of at least 10 ms.

- When an external clock is used

Any values may be set. Normally the minimum time (STS2 = STS1 = STS0 = 0) should be set.

Table 5-3 Clock Frequency and Settling Time (times are in ms)

| STS2 | STS1 | STS0 | Waiting Time | 5 MHz | 4 MHz | 2 MHz | 1 MHz | 0.5 MHz |
|------|------|------|----------------|-------|-------|-------|-------|---------|
| 0 | 0 | 0 | 8,192 states | 1.6 | 2.0 | 4.1 | 8.2 | 16.4 |
| 0 | 0 | 1 | 16,384 states | 3.2 | 4.1 | 8.2 | 16.4 | 32.8 |
| 0 | 1 | 0 | 32,768 states | 6.6 | 8.2 | 16.4 | 32.8 | 65.5 |
| 0 | 1 | 1 | 65,536 states | 13.1 | 16.4 | 32.8 | 65.5 | 131.1 |
| 1 | * | * | 131,072 states | 26.2 | 32.8 | 65.5 | 131.1 | 262.1 |

Note: * Don't care

5.4 Watch Mode

5.4.1 Transition to Watch Mode

The system goes from active or subactive mode to watch mode when a SLEEP instruction is executed while the SSBY bit in SYSCR1 is set to 1 and bit TMA3 in TMA is set to 1.

www.DataSheet4U.com

In watch mode, operation of on-chip peripheral modules other than timer A is halted. As long as a minimum required voltage is applied, the contents of CPU registers, the on-chip RAM and some registers of the on-chip peripheral modules, are retained. I/O ports keep the same states as before the transition.

5.4.2 Clearing Watch Mode

Watch mode is cleared by an interrupt (timer A, IRQ₀, NMI) or by a low input at the RES pin.

- Clearing by interrupt

When watch mode is cleared by a timer A interrupt or IRQ₀ interrupt, the mode to which a transition is made depends on the settings of LSON in SYSCR1 and MSON in SYSCR2. If both LSON and MSON are cleared to 0, transition is to active (high-speed) mode; if LSON = 0 and MSON = 1, transition is to active (medium-speed) mode; if LSON = 1, transition is to subactive mode. When watch mode is cleared by an NMI interrupt request, the transition is to active (high-speed) mode if MSON = 0 or to active (medium-speed) mode if MSON = 1, but never to subactive mode. When the transition is to active mode, after the time set in SYSCR1 bits STS2–STS0 has elapsed, a stable clock signal is supplied to the entire chip, watch mode is cleared, and interrupt exception handling starts. Watch mode is not cleared if the I bit of CCR is set to 1 or the particular interrupt is disabled in the interrupt enable register.

- Clearing by RES input

Clearing by $\overline{\text{RES}}$ pin is the same as for standby mode; see 5.3.2, Clearing Standby Mode.

5.4.3 Oscillator Settling Time after Watch Mode is Cleared

The waiting time is the same as for standby mode; see 5.3.3, Oscillator Settling Time after Standby Mode is Cleared.

5.5 Subsleep Mode

5.5.1 Transition to Subsleep Mode

The system goes from subactive mode to subsleep mode when a SLEEP instruction is executed while the SSBY bit in SYSCR1 is cleared to 0, LSON bit in SYSCR1 is set to 1, and TMA3 bit in TMA is set to 1. In subsleep mode, operation of on-chip peripheral modules other than timer A and timer C is halted. As long as a minimum required voltage is applied, the contents of CPU registers, the on-chip RAM and some registers of the on-chip peripheral modules are retained. I/O ports keep the same states as before the transition.

5.5.2 Clearing Subsleep Mode

Subsleep mode is cleared by an interrupt (timer A, timer C, NMI, IRQ₃ to IRQ₀, INT₇ to INT₀) or by a low input at the $\overline{\text{RES}}$ pin.

- Clearing by interrupt

When an interrupt is requested, subsleep mode is cleared and interrupt exception handling starts. Subsleep mode is not cleared if the I bit of CCR is set to 1 or the particular interrupt is disabled in the interrupt enable register.

- Clearing by $\overline{\text{RES}}$ input

Clearing by $\overline{\text{RES}}$ pin is the same as for standby mode; see 5.3.2, Clearing Standby Mode.

5.6 Subactive Mode

5.6.1 Transition to Subactive Mode

Subactive mode is entered from watch mode if a timer A, IRQ_0 , or NMI interrupt is requested while the LSON bit in SYSCR1 is set to 1. From subsleep mode, subactive mode is entered if a timer A, timer C, NMI, IRQ_3 to IRQ_0 , or INT_7 to INT_0 interrupt is requested. A transition to subactive mode does not take place if the I bit of CCR is set to 1 or the particular interrupt is disabled in the interrupt enable register.

5.6.2 Clearing Subactive Mode

Subactive mode is cleared by a SLEEP instruction or by a low input at the RES pin.

- Clearing by SLEEP instruction

If a SLEEP instruction is executed while the SSBY bit in SYSCR1 is set to 1 and TMA3 bit in TMA is set to 1, subactive mode is cleared and watch mode is entered. If a SLEEP instruction is executed while $SSBY = 0$ and $LSON = 1$ in SYSCR1 and $TMA3 = 1$ in TMA, subsleep mode is entered. Direct transfer to active mode is also possible; see 5.8, Direct Transfer, below.

- Clearing by RES pin

Clearing by RES pin is the same as for standby mode; see 5.3.2, Clearing Standby Mode.

5.6.3 Operating Frequency in Subactive Mode

The operating frequency in subactive mode is set in bits SA1 and SA0 in SYSCR2. The choices are $\phi_W/2$, $\phi_W/4$, and $\phi_W/8$.

5.7 Active (Medium-Speed) Mode

5.7.1 Transition to Active (Medium-Speed) Mode

If the MSON bit in SYSCR2 is set to 1 while the LSON bit in SYSCR1 is cleared to 0, a transition to active (medium-speed) mode results from IRQ₀, IRQ₁, or NMI interrupts in standby mode, timer A, IRQ₀, or NMI interrupts in watch mode, or any interrupt in sleep mode. A transition to active (medium-speed) mode does not take place if the I bit of CCR is set to 1 or the particular interrupt is disabled in the interrupt enable register.

5.7.2 Clearing Active (Medium-Speed) Mode

Active (medium-speed) mode is cleared by a SLEEP instruction or by a low input at the RES pin.

- Clearing by SLEEP instruction

A transition to standby mode takes place if the SLEEP instruction is executed while the SSBY bit in SYSCR1 is set to 1, the LSON bit in SYSCR1 is cleared to 0, and the TMA3 bit in TMA is cleared to 0. The system goes to watch mode if the SSBY bit in SYSCR1 is set to 1 and bit TMA3 in TMA is set to 1 when a SLEEP instruction is executed.

When both SSBY and LSON are cleared to 0 in SYSCR1 and a SLEEP instruction is executed, sleep (high-speed) mode is entered if MSON is cleared to 0 in SYSCR2, and sleep (medium-speed) mode is entered if MSON is set to 1. Direct transfer to active (high-speed) mode or to subactive mode is also possible. See 5.8, Direct Transfer, below for details.

- Clearing by $\overline{\text{RES}}$ pin

When the $\overline{\text{RES}}$ pin goes low, the CPU enters the reset state and active (medium-speed) mode is cleared.

5.7.3 Operating Frequency in Active (Medium-Speed) Mode

In active (medium-speed) mode, the CPU is clocked at 1/64 the frequency in active (high-speed) mode.

5.8 Direct Transfer

The CPU can execute programs in three modes: active (high-speed) mode, active (medium-speed) mode, and subactive mode. A direct transfer is a transition among these three modes without the stopping of program execution. A direct transfer can be made by executing a SLEEP instruction while the DTON bit in SYSCR2 is set to 1. After the mode transition, direct transfer interrupt exception handling starts.

If the direct transfer interrupt is disabled in interrupt enable register 2, a transition is made instead to sleep mode or watch mode. Note that if a direct transition is attempted while the I bit in CCR is set to 1, sleep mode or watch mode will be entered, and it will be impossible to clear the resulting mode by means of an interrupt.

- Direct transfer from active (high-speed) mode to active (medium-speed) mode

When a SLEEP instruction is executed in active (high-speed) mode while the SSBY and LSON bits in SYSCR1 are cleared to 0, the MSON bit in SYSCR2 is set to 1, and the DTON bit in SYSCR2 is set to 1, a transition is made to active (medium-speed) mode via sleep mode.

- Direct transfer from active (medium-speed) mode to active (high-speed) mode

When a SLEEP instruction is executed in active (medium-speed) mode while the SSBY and LSON bits in SYSCR1 are cleared to 0, the MSON bit in SYSCR2 is cleared to 0, and the DTON bit in SYSCR2 is set to 1, a transition is made to active (high-speed) mode via sleep mode.

- Direct transfer from active (high-speed) mode to subactive mode

When a SLEEP instruction is executed in active (high-speed) mode while the SSBY and LSON bits in SYSCR1 are set to 1, the DTON bit in SYSCR2 is set to 1, and the TMA3 bit in TMA is set to 1, a transition is made to subactive mode via watch mode.

- Direct transfer from subactive mode to active (high-speed) mode

When a SLEEP instruction is executed in subactive mode while the SSBY bit in SYSCR1 is set to 1, the LSON bit in SYSCR1 is set to 1, the MSON bit in SYSCR2 is cleared to 0, the DTON bit in SYSCR2 is set to 1, and the TMA3 bit in TMA is set to 1, a transition is made directly to active (high-speed) mode via watch mode after the waiting time set in SYSCR1 bits STS2 to STS0 has elapsed.

- Direct transfer from active (medium-speed) mode to subactive mode

When a SLEEP instruction is executed in active (medium-speed) while the SSBY and LSON bits in SYSCR1 are set to 1, the DTON bit in SYSCR2 is set to 1, and the TMA3 bit in TMA is set to 1, a transition is made to subactive mode via watch mode.

- Direct transfer from subactive mode to active (medium-speed) mode

When a SLEEP instruction is executed in subactive mode while the SSBY bit in SYSCR1 is set to 1, the LSON bit in SYSCR1 is set to 1, the MSON bit in SYSCR2 is set to 1, the DTON bit in SYSCR2 is set to 1, and the TMA3 bit in TMA is set to 1, a transition is made directly to active (medium-speed) mode via watch mode after the waiting time set in SYSCR1 bits STS2 to STS0 has elapsed.

Section 6 ROM

6.1 Overview

The H8/3927 has 60 kbytes of on-chip mask ROM or PROM. The H8/3926 has 48 kbytes of mask ROM. The H8/3925 has 40 kbytes of mask ROM. The H8/3924 has 32 kbytes of mask ROM. The ROM is connected to the CPU by a 16-bit data bus, allowing high-speed two-state access for both byte data and word data.

6.1.1 Block Diagram

Figure 6-1 shows a block diagram of the on-chip ROM.

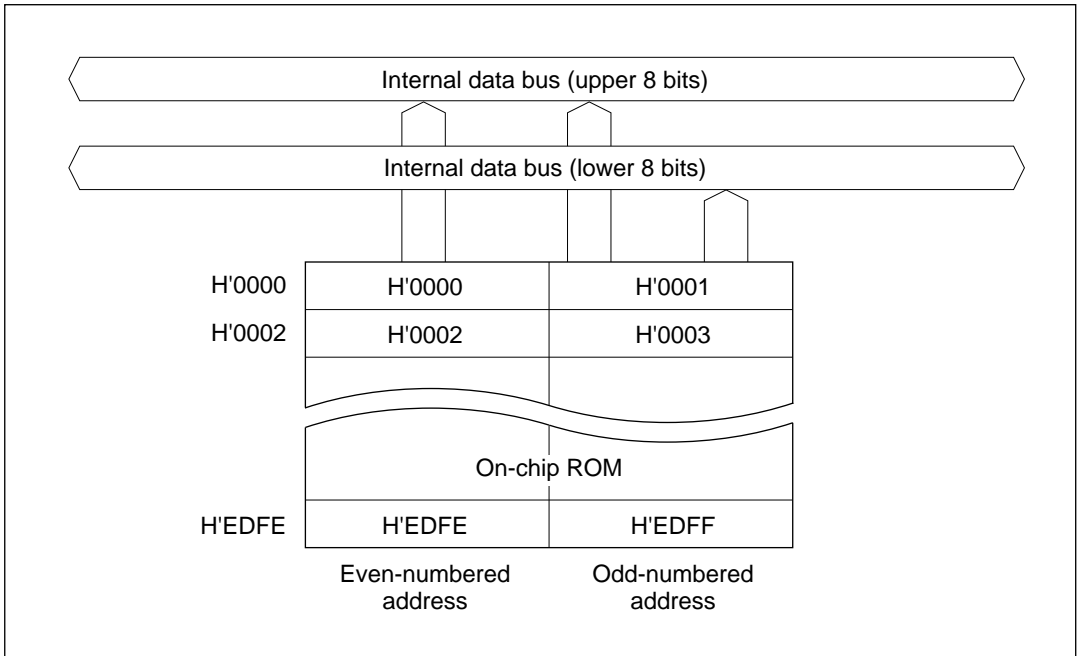


Figure 6-1 ROM Block Diagram (H8/3927)

6.2 PROM Mode

6.2.1 Setting to PROM Mode

If the on-chip ROM is PROM, setting the chip to PROM mode stops operation as a microcontroller and allows the PROM to be programmed in the same way as the standard HN27C101 EPROM. Page programming is not supported, however. Table 6-1 shows how to set the chip to PROM mode.

Table 6-1 Setting to PROM Mode

| Pin Name | Setting |
|----------------------------------|------------|
| TEST | High level |
| PB ₄ /AN ₄ | Low level |
| PB ₅ /AN ₅ | |
| PB ₆ /AN ₆ | High level |

6.2.2 Socket Adapter Pin Arrangement and Memory Map

A standard PROM programmer can be used to program the PROM. A socket adapter is required for conversion to 32 pins, as listed in table 6-2.

Figure 6-2 shows the pin-to-pin wiring of the socket adapter. Figure 6-3 shows a memory map.

Table 6-2 Socket Adapter

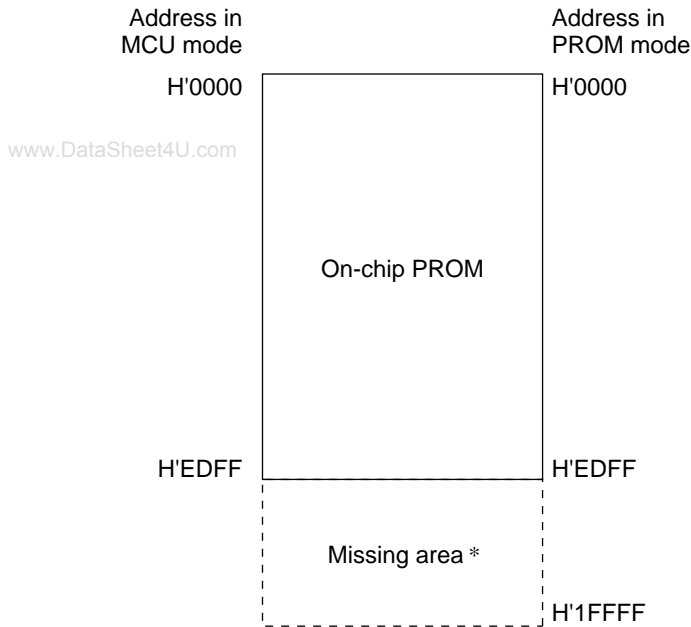
| Package | Socket Adapter |
|------------------|----------------|
| 80-pin (FP-80B) | HS3927ESF01H |
| 80-pin (TFP-80F) | HS3927ESN01H* |

Note: * Under development

| H8/3927 | | | EPROM socket | |
|---------|--------|------------------|------------------|-------------------|
| TFP-80F | FP-80B | Pin | Pin | HN27C101 (32-pin) |
| 10 | 12 | RES | V _{PP} | 1 |
| 29 | 31 | P6 ₀ | EO ₀ | 13 |
| 30 | 32 | P6 ₁ | EO ₁ | 14 |
| 31 | 33 | P6 ₂ | EO ₂ | 15 |
| 32 | 34 | P6 ₃ | EO ₃ | 17 |
| 33 | 35 | P6 ₄ | EO ₄ | 18 |
| 34 | 36 | P6 ₅ | EO ₅ | 19 |
| 35 | 37 | P6 ₆ | EO ₆ | 20 |
| 36 | 38 | P6 ₇ | EO ₇ | 21 |
| 52 | 54 | P8 ₇ | EA ₀ | 12 |
| 51 | 53 | P8 ₆ | EA ₁ | 11 |
| 50 | 52 | P8 ₅ | EA ₂ | 10 |
| 49 | 51 | P8 ₄ | EA ₃ | 9 |
| 48 | 50 | P8 ₃ | EA ₄ | 8 |
| 47 | 49 | P8 ₂ | EA ₅ | 7 |
| 46 | 48 | P8 ₁ | EA ₆ | 6 |
| 45 | 47 | P8 ₀ | EA ₇ | 5 |
| 37 | 39 | P7 ₀ | EA ₈ | 27 |
| 11 | 13 | NMI | EA ₉ | 26 |
| 39 | 41 | P7 ₂ | EA ₁₀ | 23 |
| 40 | 42 | P7 ₃ | EA ₁₁ | 25 |
| 41 | 43 | P7 ₄ | EA ₁₂ | 4 |
| 42 | 44 | P7 ₅ | EA ₁₃ | 28 |
| 43 | 45 | P7 ₆ | EA ₁₄ | 29 |
| 66 | 68 | P1 ₄ | EA ₁₅ | 3 |
| 67 | 69 | P1 ₅ | EA ₁₆ | 2 |
| 44 | 46 | P7 ₇ | CE | 22 |
| 38 | 40 | P7 ₁ | OE | 24 |
| 65 | 67 | P1 ₃ | PGM | 31 |
| 61 | 63 | V _{CC} | V _{CC} | 32 |
| 70 | 72 | AV _{CC} | | |
| 4 | 6 | TEST | | |
| 6 | 8 | X ₁ | | |
| 76 | 78 | PB ₆ | | |
| 63 | 65 | P1 ₁ | | |
| 64 | 66 | P1 ₂ | | |
| 68 | 70 | P1 ₆ | | |
| 7 | 9 | V _{SS} | V _{SS} | 16 |
| 3 | 5 | AV _{SS} | | |
| 78 | 80 | PB ₄ | | |
| 77 | 79 | PB ₅ | | |

Note: Pins not indicated in the figure should be left open.

Figure 6-2 Socket Adapter Pin Correspondence (with HN27C101)



Note: * If read in PROM mode, this address area returns unpredictable output data. When programming with a PROM programmer, be sure to specify addresses from H'0000 to H'EDFF. If address H'EE00 and higher addresses are programmed by mistake, it may become impossible to program the PROM or verify the programmed data. When programming, assign H'FF data to this address area (H'EE00 to H'1FFFF).

Figure 6-3 H8/3927 Memory Map in PROM Mode

6.3 Programming

The write, verify, and other modes are selected as shown in table 6-3 in PROM mode.

Table 6-3 Mode Selection in PROM Mode

www.DataSheet4U.com

| Mode | Pin | | | | | | |
|----------------------|-----|----|-----|-----------------|-----------------|------------------------------------|-------------------------------------|
| | CE | OE | PGM | V _{PP} | V _{CC} | EO ₇ to EO ₀ | EA ₁₆ to EA ₀ |
| Write | L | H | L | V _{PP} | V _{CC} | Data input | Address input |
| Verify | L | L | H | V _{PP} | V _{CC} | Data output | Address input |
| Programming disabled | L | L | L | V _{PP} | V _{CC} | High impedance | Address input |
| | L | H | H | | | | |
| | H | L | L | | | | |
| | H | H | H | | | | |

Notation

L: Low level

H: High level

V_{PP}: V_{PP} level

V_{CC}: V_{CC} level

The specifications for writing and reading the on-chip PROM are identical to those for the standard HN27C101 EPROM. Page programming is not supported, however. The PROM writer must not be set to page mode. A PROM programmer that provides only page programming mode cannot be used. When selecting a PROM programmer, check that it supports a byte-by-byte high-speed, high-reliability programming method. Be sure to set the address range to H'0000 to H'EDFF.

6.3.1 Writing and Verifying

An efficient, high-speed, high-reliability method is available for writing and verifying the PROM data. This method achieves high speed without voltage stress on the device and without lowering the reliability of written data. The basic flow of this high-speed, high-reliability programming method is shown in figure 6-4.

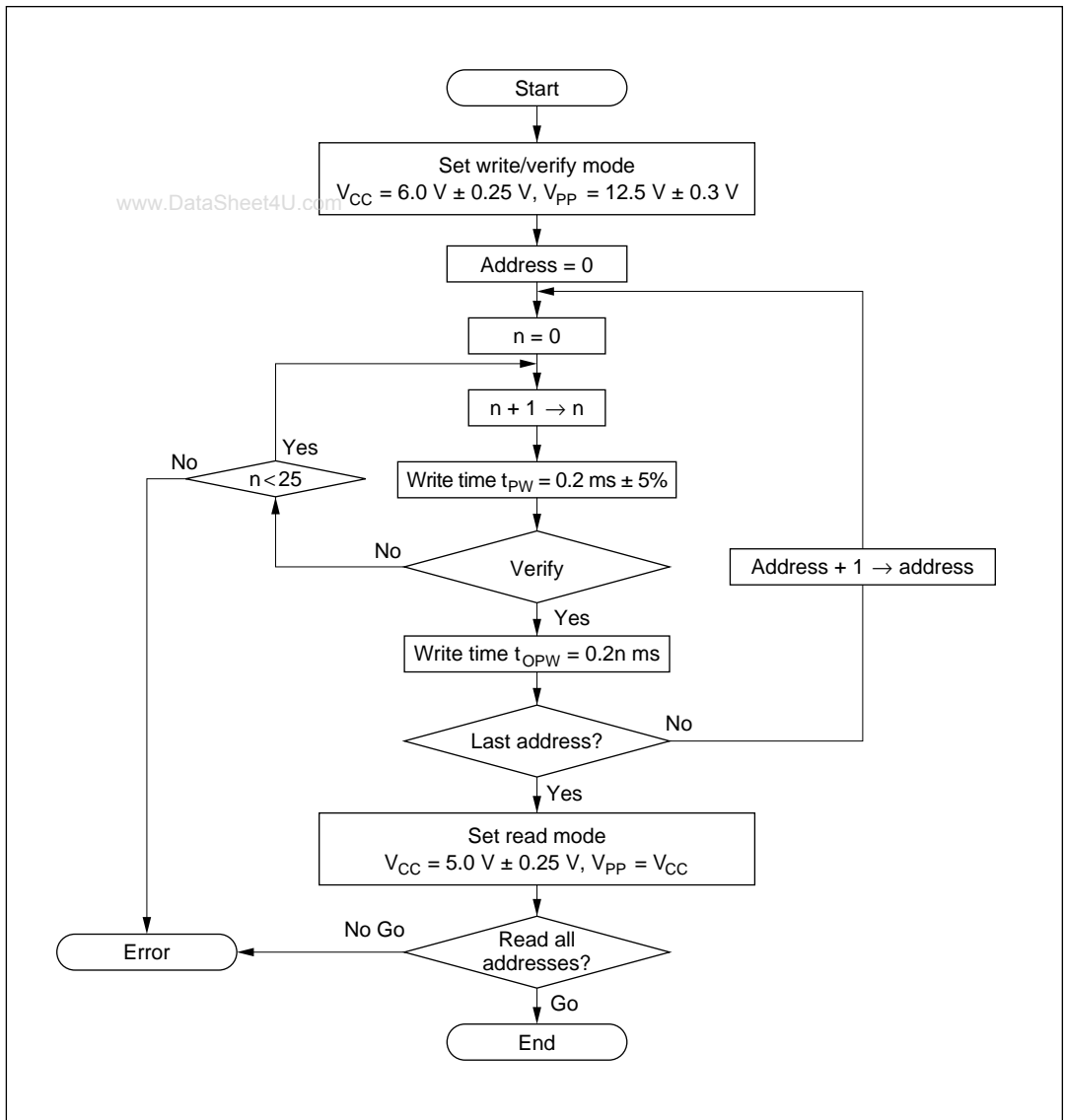


Figure 6-4 High-Speed, High-Reliability Programming Flow Chart

Table 6-4 and table 6-5 give the electrical characteristics in programming mode.

Table 6-4 DC Characteristics

(Conditions: $V_{CC} = 6.0 \text{ V} \pm 0.25 \text{ V}$, $V_{PP} = 12.5 \text{ V} \pm 0.3 \text{ V}$, $V_{SS} = 0 \text{ V}$, $T_a = 25^\circ\text{C} \pm 5^\circ\text{C}$)

| Item | | Symbol | Min | Typ | Max | Unit | Test Condition |
|---------------------------|---|-----------------|------|-----|-----------------------|------|------------------------------------|
| Input high-level voltage | EO ₇ to EO ₀ , EA ₁₆ to EA ₀ OE, CE, PGM | V _{IH} | 2.4 | — | V _{CC} + 0.3 | V | |
| Input low-level voltage | EO ₇ to EO ₀ , EA ₁₆ to EA ₀ OE, CE, PGM | V _{IL} | -0.3 | — | 0.8 | V | |
| Output high-level voltage | EO ₇ to EO ₀ | V _{OH} | 2.4 | — | — | V | I _{OH} = -200 μA |
| Output low-level voltage | EO ₇ to EO ₀ | V _{OL} | — | — | 0.45 | V | I _{OL} = 0.8 mA |
| Input leakage current | EO ₇ to EO ₀ , EA ₁₆ to EA ₀ OE, CE, PGM | I _{LI} | — | — | 2 | μA | V _{in} = 5.25 V/ 0.5 V |
| V _{CC} current | | I _{CC} | — | — | 40 | mA | |
| V _{PP} current | | I _{PP} | — | — | 40 | mA | |

Table 6-5 AC Characteristics(Conditions: $V_{CC} = 6.0\text{ V} \pm 0.25\text{ V}$, $V_{PP} = 12.5\text{ V} \pm 0.3\text{ V}$, $T_a = 25^\circ\text{C} \pm 5^\circ\text{C}$)

| Item | Symbol | Min | Typ | Max | Unit | Test Condition |
|---|----------------|------|------|------|---------------|----------------|
| Address setup time | t_{AS} | 2 | — | — | μs | Figure 6-5*1 |
| OE setup time | t_{OES} | 2 | — | — | μs | |
| Data setup time | t_{DS} | 2 | — | — | μs | |
| Address hold time | t_{AH} | 0 | — | — | μs | |
| Data hold time | t_{DH} | 2 | — | — | μs | |
| Data output disable time | t_{DF}^{*2} | — | — | 130 | ns | |
| V_{PP} setup time | t_{VPS} | 2 | — | — | μs | |
| Programming pulse width | t_{PW} | 0.19 | 0.20 | 0.21 | ms | |
| PGM pulse width for overwrite programming | t_{OPW}^{*3} | 0.19 | — | 5.25 | ms | |
| V_{CC} setup time | t_{VCS} | 2 | — | — | μs | |
| CE setup time | t_{CES} | 2 | — | — | μs | |
| Data output delay time | t_{OE} | 0 | — | 200 | ns | |

Notes: 1. Input pulse level: 0.45 V to 2.4 V

Input rise time/fall time $\leq 20\text{ ns}$

Timing reference levels Input: 0.8 V, 2.0 V

Output: 0.8 V, 2.0 V

- t_{DF} is defined at the point at which the output is floating and the output level cannot be read.
- t_{OPW} is defined by the value given in figure 6-4, High-Speed, High-Reliability Programming Flow Chart.

Figure 6-5 shows a write/verify timing diagram.

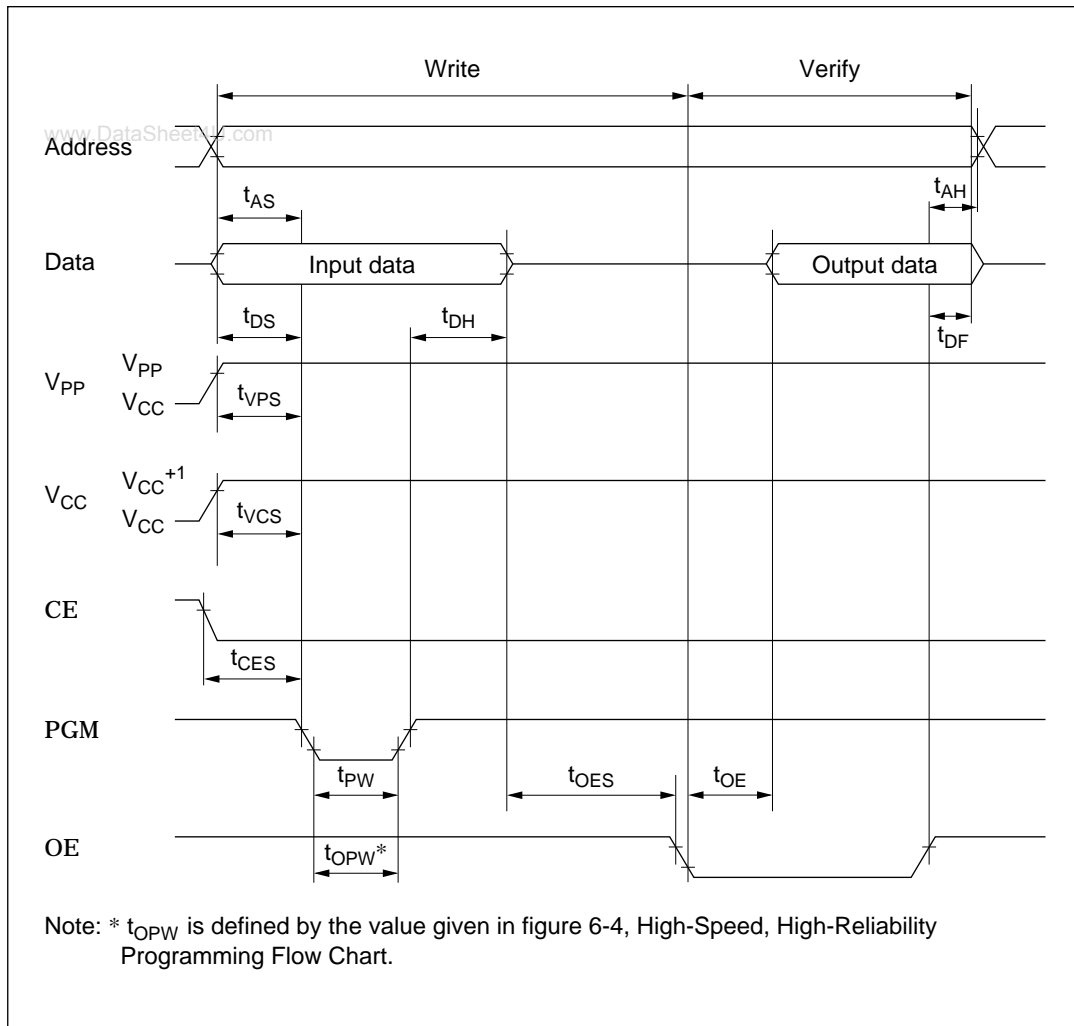


Figure 6-5 PROM Write/Verify Timing

6.3.2 Programming Precautions

- Use the specified programming voltage and timing.

The programming voltage in PROM mode (V_{PP}) is 12.5 V. Use of a higher voltage can permanently damage the chip. Be especially careful with respect to PROM programmer overshoot. DataSheet4U.com

Setting the PROM programmer to Hitachi specifications for the HN27C101 will result in correct V_{PP} of 12.5 V.

- Make sure the index marks on the PROM programmer socket, socket adapter, and chip are properly aligned. If they are not, the chip may be destroyed by excessive current flow. Before programming, be sure that the chip is properly mounted in the PROM programmer.
- Avoid touching the socket adapter or chip while programming, since this may cause contact faults and write errors.
- Select the programming mode carefully. The chip cannot be programmed in page programming mode.
- When programming with a PROM programmer, be sure to specify addresses from H'0000 to H'EDFF. If address H'EE00 and higher addresses are programmed by mistake, it may become impossible to program the PROM or verify the programmed data. When programming, assign H'FF data to the address area from H'EE00 to H'1FFFF.

6.4 Reliability of Programmed Data

A highly effective way of assuring data retention characteristics after programming is to screen the chips by baking them at a temperature of 150°C. This quickly eliminates PROM memory cells prone to initial data retention failure.

Figure 6-6 shows a flowchart of this screening procedure.

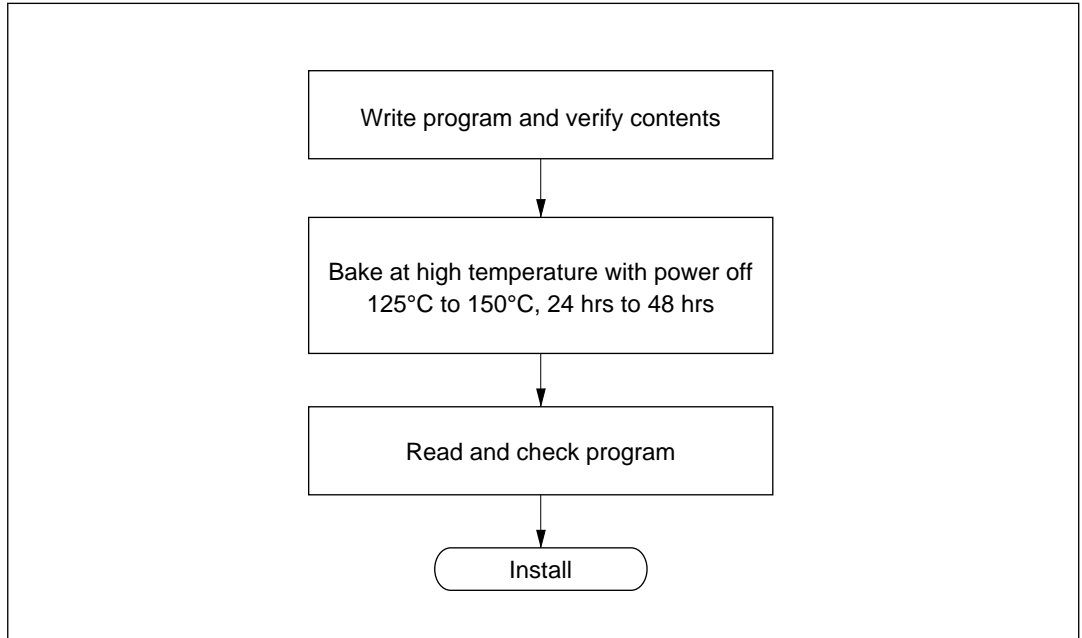


Figure 6-6 Recommended Screening Procedure

If write errors occur repeatedly while the same PROM programmer is being used, stop programming and check for problems in the PROM programmer and socket adapter, etc.

Please notify your Hitachi representative of any problems occurring during programming or in screening after high-temperature baking.

Section 7 RAM

7.1 Overview

The H8/3927 Series has 1 kbyte of high-speed static RAM on-chip. The RAM is connected to the CPU by a 16-bit data bus, allowing high-speed 2-state access for both byte data and word data.

7.1.1 Block Diagram

Figure 7-1 shows a block diagram of the on-chip RAM.

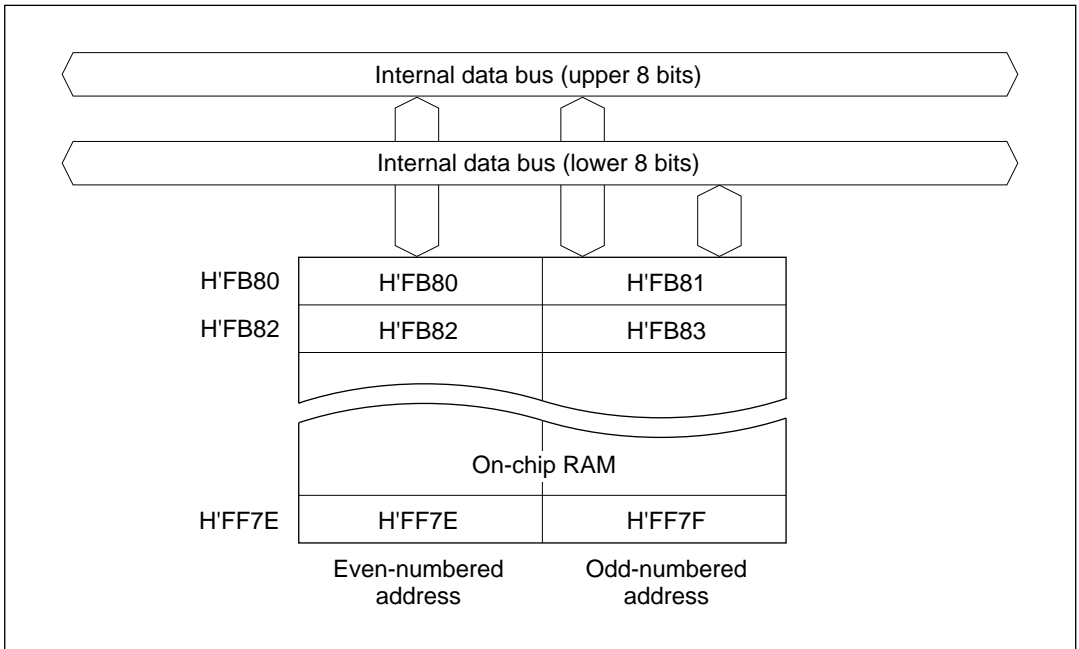


Figure 7-1 RAM Block Diagram

Section 8 I/O Ports

8.1 Overview

The H8/3927 Series is provided with seven 8-bit I/O ports, one 8-bit input-only port, one 4-bit input-only port. Table 8-1 indicates the functions of each port.

Each port has of a port control register (PCR) that controls input and output, and a port data register (PDR) for storing output data. Input or output can be assigned to individual bits.

See 2.9.2, Notes on Bit Manipulation, for information on executing bit-manipulation instructions to write data in PCR or PDR.

Block diagrams of each port are given in Appendix C.

Table 8-1 Port Functions

| Port | Description | Pins | Other Functions | Function Switching Register |
|-----------------------------------|---|--|--|-----------------------------|
| Port 1 | <ul style="list-style-type: none"> • 8-bit I/O port • Input pull-up option | P1 ₇ /IRQ ₃ /TRGV | External interrupt 3, timer V trigger input | PMR1 |
| | | P1 ₆ to P1 ₅ /IRQ ₂ to IRQ ₁ | External interrupts 2 and 1 | |
| | | P1 ₄ /PWM | 14-bit PWM output | PMR1 |
| | | P1 ₃ /TMIC | Timer C event input | |
| | | P1 ₂ /UD | Timer C count-up/down select | |
| | | P1 ₁ /TMOE | Timer E output | PMR1 |
| Port 3 | <ul style="list-style-type: none"> • 8-bit I/O port • Input pull-up option • High-current port | P3 ₇ /CS | SCI2 chip select input (CS), strobe output (STRB), data output (SO ₂), data input (SI ₂), and clock input/output (SCK ₂) | PMR3 |
| | | P3 ₆ /STRB | | |
| | | P3 ₅ /SO ₂ | | |
| | | P3 ₄ /SI ₂ | | |
| Port 3 | | P3 ₃ /SCK ₂ | | |
| | | P3 ₂ /SO ₁ | SCI1 data output (SO ₁), data input (SI ₁), clock input/output (SCK ₁) | PMR3 |
| | | P3 ₁ /SI ₁ | | |
| P3 ₀ /SCK ₁ | | | | |
| Port 4 | • 8-bit I/O port | P4 ₇ to P4 ₀ | | |
| Port 5 | <ul style="list-style-type: none"> • 8-bit I/O port • Input pull-up | P5 ₇ to INT ₇ /TMIY | INT interrupt 7 Timer Y event input | |
| | | P5 ₆ to INT ₆ /TMIB | INT interrupt 6 Timer B event input | |
| | | P5 ₅ to INT ₅ /ADTRG | INT interrupt 5 A/D converter external trigger input | |
| | | P5 ₄ to P5 ₀ /INT ₄ to INT ₀ | INT interrupts 4 to 0 | |

Table 8-1 Port Functions (cont)

| Port | Description | Pins | Other Functions | Function Switching Register |
|--------|--|--|--|-----------------------------|
| Port 6 | • 8-bit I/O port www.DataSheet4U.com | P6 ₇ to P6 ₀ / RP ₇ to RP ₀ | Realtime output port 7 to 0 | RTER |
| Port 7 | • 8-bit I/O port | P7 ₇ | | |
| | | P7 ₆ /TMOV | Timer V compare-match output | TCSR.V |
| | | P7 ₅ /TMCIV | Timer V clock input | |
| | | P7 ₄ /TMRIV | Timer V reset input | |
| | | P7 ₃ to P7 ₀ | | |
| Port 8 | • 8-bit I/O port | P8 ₇ | | |
| | | P8 ₆ /FTID | Timer X input capture D input | |
| | | P8 ₅ /FTIC | Timer X input capture C input | |
| | | P8 ₄ /FTIB | Timer X input capture B input | |
| | | P8 ₃ /FTIA | Timer X input capture A input | |
| | | P8 ₂ /FTOB | Timer X output compare B output | TOCR |
| | | P8 ₁ /FTOA | Timer X output compare A output | TOCR |
| | | P8 ₀ /FTCI | Timer X clock input | |
| Port B | • 8-bit input port | PB ₇ to PB ₀ / AN ₇ to AN ₀ | A/D converter analog input (AN ₇ to AN ₀) | |
| Port C | • 4-bit input port | PC ₃ to PC ₀ / DA ₃ to DA ₀ | D/A converter analog output (DA ₃ to DA ₀) | |

8.2 Port 1

8.2.1 Overview

Port 1 is an 8-bit I/O port. Figure 8-1 shows its pin configuration.

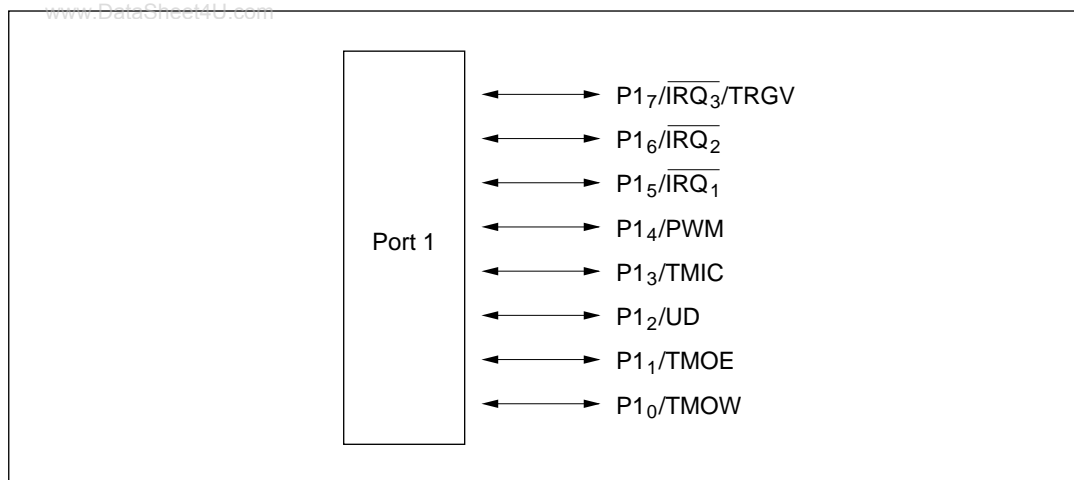


Figure 8-1 Port 1 Pin Configuration

8.2.2 Register Configuration and Description

Table 8-2 shows the port 1 register configuration.

Table 8-2 Port 1 Registers

| Name | Abbrev. | R/W | Initial Value | Address |
|---------------------------------|---------|-----|---------------|---------|
| Port data register 1 | PDR1 | R/W | H'00 | H'FFD4 |
| Port control register 1 | PCR1 | W | H'00 | H'FFE4 |
| Port pull-up control register 1 | PUCR1 | R/W | H'00 | H'FFED |
| Port mode register 1 | PMR1 | R/W | H'00 | H'FFFC |

1. Port data register 1 (PDR1)

| Bit | 7 | 6 | 5 | 4 | 3 | 2 | 1 | 0 |
|---------------|-----------------|-----------------|-----------------|-----------------|-----------------|-----------------|-----------------|-----------------|
| | P1 ₇ | P1 ₆ | P1 ₅ | P1 ₄ | P1 ₃ | P1 ₂ | P1 ₁ | P1 ₀ |
| Initial value | 0 | 0 | 0 | 0 | 0 | 0 | 0 | 0 |
| Read/Write | R/W | R/W | R/W | R/W | R/W | R/W | R/W | R/W |

PDR1 is an 8-bit register that stores data for pins P1₇ through P1₀. If port 1 is read while PCR1 bits are set to 1, the values stored in PDR1 are read, regardless of the actual pin states. If port 1 is read while PCR1 bits are cleared to 0, the pin states are read.

Upon reset, PDR1 is initialized to H'00.

2. Port control register 1 (PCR1)

| Bit | 7 | 6 | 5 | 4 | 3 | 2 | 1 | 0 |
|---------------|-------------------|-------------------|-------------------|-------------------|-------------------|-------------------|-------------------|-------------------|
| | PCR1 ₇ | PCR1 ₆ | PCR1 ₅ | PCR1 ₄ | PCR1 ₃ | PCR1 ₂ | PCR1 ₁ | PCR1 ₀ |
| Initial value | 0 | 0 | 0 | 0 | 0 | 0 | 0 | 0 |
| Read/Write | W | W | W | W | W | W | W | W |

PCR1 is an 8-bit register for controlling whether each of the port 1 pins P1₇ to P1₀ functions as an input pin or output pin. Setting a PCR1 bit to 1 makes the corresponding pin an output pin, while clearing the bit to 0 makes the pin an input pin. The settings in PCR1 and in PDR1 are valid only when the corresponding pin is designated in PMR1 as a general I/O pin.

Upon reset, PCR1 is initialized to H'00.

PCR1 is a write-only register, which is always read as all 1s.

3. Port pull-up control register 1 (PUCR1)

| Bit | 7 | 6 | 5 | 4 | 3 | 2 | 1 | 0 |
|---------------|--------------------|--------------------|--------------------|--------------------|--------------------|--------------------|--------------------|--------------------|
| | PUCR1 ₇ | PUCR1 ₆ | PUCR1 ₅ | PUCR1 ₄ | PUCR1 ₃ | PUCR1 ₂ | PUCR1 ₁ | PUCR1 ₀ |
| Initial value | 0 | 0 | 0 | 0 | 0 | 0 | 0 | 0 |
| Read/Write | R/W | R/W | R/W | R/W | R/W | R/W | R/W | R/W |

PUCR1 controls whether the MOS pull-up of each port 1 pin is on or off. When a PCR1 bit is cleared to 0, setting the corresponding PUCR1 bit to 1 turns on the MOS pull-up for the corresponding pin, while clearing the bit to 0 turns off the MOS pull-up.

Upon reset, PUCR1 is initialized to H'00.

4. Port mode register 1 (PMR1)

| Bit | 7 | 6 | 5 | 4 | 3 | 2 | 1 | 0 |
|---------------|------|------|------|-----|--------|---|------|------|
| | IRQ3 | IRQ2 | IRQ1 | PWM | TCICEG | — | TMOE | TMOW |
| Initial value | 0 | 0 | 0 | 0 | 0 | 1 | 0 | 0 |
| Read/Write | R/W | R/W | R/W | R/W | R/W | — | R/W | R/W |

PMR1 is an 8-bit read/write register, controlling the selection of pin functions for port 1 pins.

Upon reset, PMR1 is initialized to H'04.

Bit 7: P1₇/IRQ₃/TRGV pin function switch (IRQ3)

This bit selects whether pin P1₇/IRQ₃/TRGV is used as P1₇ or as IRQ₃/TRGV.

Bit 7

| IRQ3 | Description |
|------|--|
| 0 | Functions as P1 ₇ I/O pin (initial value) |
| 1 | Functions as IRQ ₃ /TRGV input pin |

Note: Rising or falling edge sensing can be designated for IRQ₃. Rising, falling, or both edge sensing can be designated for TRGV. For details on TRGV settings, see 9.8.2 (5), Timer Control Register V1 (TCRV1).

Bit 6: P1₆/IRQ₂ pin function switch (IRQ2)

This bit selects whether pin P1₆/IRQ₂ is used as P1₆ or as IRQ₂.

Bit 6

| IRQ2 | Description |
|------|--|
| 0 | Functions as P1 ₆ I/O pin (initial value) |
| 1 | Functions as IRQ ₂ input pin |

Note: Rising or falling edge sensing can be designated for IRQ₂.

Bit 5: P1₅/IRQ₁ pin function switch (IRQ1)

This bit selects whether pin P1₅/IRQ₁ is used as P1₅ or as IRQ₁.

Bit 5

| IRQ1 | Description |
|------|--|
| 0 | Functions as P1 ₅ I/O pin (initial value) |
| 1 | Functions as IRQ ₁ input pin |

Note: Rising or falling edge sensing can be designated for IRQ₁.

Bit 4: P1₄/PWM pin function switch (PWM)

This bit selects whether pin P1₄/PWM is used as P1₄ or as PWM.

Bit 4

| PWM | Description | |
|-----|--------------------------------------|-----------------|
| 0 | Functions as P1 ₄ I/O pin | (initial value) |
| 1 | Functions as PWM output pin | |

Bit 3: TMIC edge select (TCICEG)

This bit selects the input sensing of the TMIC pin.

Bit 3

| TCICEG | Description | |
|--------|--|-----------------|
| 0 | The falling edge of TMIC pin input is detected | (initial value) |
| 1 | The rising edge of TMIC pin input is detected | |

Bit 2: Reserved bit

Bit 2 is reserved; it is always read as 1, and cannot be modified.

Bit 1: P1₁/TMOE pin function switch (TMOE)

This bit selects whether pin P1₁/TMOE is used as P1₁ or as TMOE.

Bit 1

| TMOE | Description | |
|------|--------------------------------------|-----------------|
| 0 | Functions as P1 ₁ I/O pin | (initial value) |
| 1 | Functions as TMOE output pin | |

Bit 0: P1₀/TMOW pin function switch (TMOW)

This bit selects whether pin P1₀/TMOW is used as P1₀ or as TMOW.

Bit 0

| TMOW | Description | |
|------|--------------------------------------|-----------------|
| 0 | Functions as P1 ₀ I/O pin | (initial value) |
| 1 | Functions as TMOW output pin | |

8.2.3 Pin Functions

Table 8-3 shows the port 1 pin functions.

Table 8-3 Port 1 Pin Functions

Pin www.DataSheet4U.com **Pin Functions and Selection Method**

P1₇/IRQ₃/TRGV The pin function depends on bit IRQ3 in PMR1 and bit PCR1₇ in PCR1.

| | | | |
|-------------------|---------------------------|----------------------------|---|
| IRQ3 | 0 | | 1 |
| PCR1 ₇ | 0 | 1 | * |
| Pin function | P1 ₇ input pin | P1 ₇ output pin | $\overline{\text{IRQ}}_3/\text{TRGV}$ input pin |

P1₆/IRQ₂/P1₅/IRQ₁ The pin function depends on bits IRQ2 and IRQ1 in PMR1 and bit PCR1_n in PCR1.
(m = n - 4, n = 6, 5)

| | | | |
|-------------------|---------------------------|----------------------------|-------------------------------------|
| IRQ _m | 0 | | 1 |
| PCR1 _n | 0 | 1 | * |
| Pin function | P1 _n input pin | P1 _n output pin | $\overline{\text{IRQ}}_m$ input pin |

P1₄/PWM The pin function depends on bit PWM in PMR1 and bit PCR1₄ in PCR1.

| | | | |
|-------------------|---------------------------|----------------------------|----------------|
| PWM | 0 | | 1 |
| PCR1 ₄ | 0 | 1 | * |
| Pin function | P1 ₄ input pin | P1 ₄ output pin | PWM output pin |

P1₃/TMIC The pin function depends on bit PCR1₃ in PCR1.

| | | |
|-------------------|---------------------------|----------------------------|
| PCR1 ₃ | 0 | 1 |
| Pin function | P1 ₃ input pin | P1 ₃ output pin |
| | TMIC input pin | |

P1₂/UD The pin function depends on bit PCR1₂ in PCR1.

| | | |
|-------------------|---------------------------|----------------------------|
| PCR1 ₂ | 0 | 1 |
| Pin function | P1 ₂ input pin | P1 ₂ output pin |
| | UD input pin | |

Note: * Don't care

Table 8-3 Port 1 Pin Functions (cont)**Pin Pin Functions and Selection Method**

P1₁/TMOE The pin function depends on bit TMOE in PMR1 and bit PCR1₁ in PCR1.

| | | | |
|-------------------|---------------------------|----------------------------|-----------------|
| TMOFL | 0 | | 1 |
| PCR1 ₁ | 0 | 1 | * |
| Pin function | P1 ₁ input pin | P1 ₁ output pin | TMOE output pin |

P1₀/TMOW The pin function depends on bit TMOW in PMR1 and bit PCR1₀ in PCR1.

| | | | |
|-------------------|---------------------------|----------------------------|-----------------|
| TMOW | 0 | | 1 |
| PCR1 ₀ | 0 | 1 | * |
| Pin function | P1 ₀ input pin | P1 ₀ output pin | TMOW output pin |

Note: * Don't care

8.2.4 Pin States

Table 8-4 shows the port 1 pin states in each operating mode.

Table 8-4 Port 1 Pin States

| Pins | Reset | Sleep | Subsleep | Standby | Watch | Subactive | Active |
|---|----------------|------------------------|------------------------|-----------------|------------------------|------------|------------|
| P1 ₇ /IRQ ₃ /TRGV | High-impedance | Retains previous state | Retains previous state | High-impedance* | Retains previous state | Functional | Functional |
| P1 ₆ /IRQ ₂ | | | | | | | |
| P1 ₅ /IRQ ₁ | | | | | | | |
| P1 ₄ /PWM | | | | | | | |
| P1 ₃ /TMIC | | | | | | | |
| P1 ₂ /UD | | | | | | | |
| P1 ₁ /TMOE | | | | | | | |
| P1 ₀ /TMOW | | | | | | | |

Note: * A high-level signal is output when the MOS pull-up is in the on state.

8.2.5 MOS Input Pull-Up

Port 1 has a built-in MOS input pull-up function that can be controlled by software. When a PCR1 bit is cleared to 0, setting the corresponding PUCR1 bit to 1 turns on the MOS input pull-up for that pin. The MOS input pull-up function is in the off state after a reset.

| | | | |
|--------------------|-----|----|-----|
| PCR1 _n | 0 | | 1 |
| PUCR1 _n | 0 | 1 | * |
| MOS input pull-up | Off | On | Off |

Note: * Don't care
n = 7 to 0

8.3 Port 3

8.3.1 Overview

Port 3 is an 8-bit I/O port, configured as shown in figure 8-2.

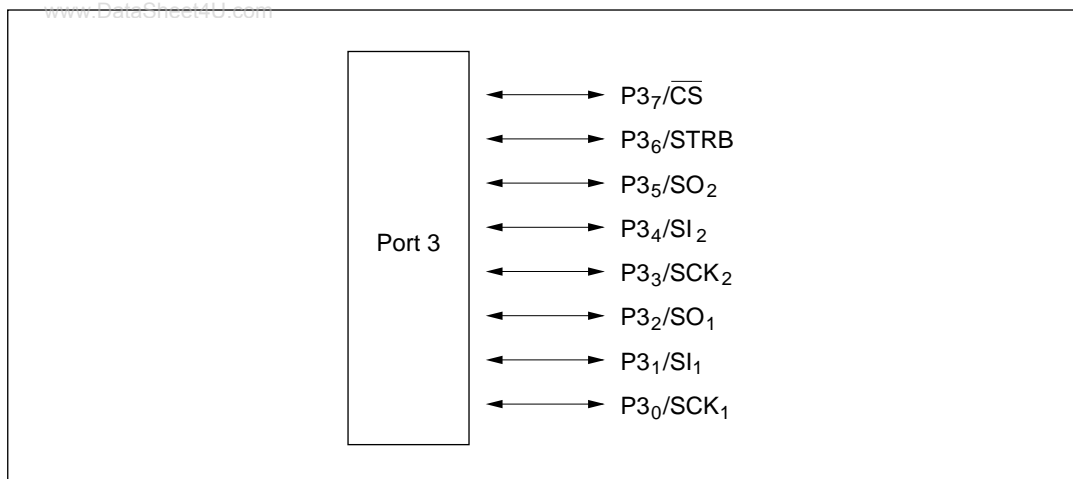


Figure 8-2 Port 3 Pin Configuration

8.3.2 Register Configuration and Description

Table 8-5 shows the port 3 register configuration.

Table 8-5 Port 3 Registers

| Name | Abbrev. | R/W | Initial Value | Address |
|---------------------------------|---------|-----|---------------|---------|
| Port data register 3 | PDR3 | R/W | H'00 | H'FFD6 |
| Port control register 3 | PCR3 | W | H'00 | H'FFE6 |
| Port pull-up control register 3 | PUCR3 | R/W | H'00 | H'FFEE |
| Port mode register 3 | PMR3 | R/W | H'00 | H'FFFD |
| Port mode register 7 | PMR7 | R/W | H'FC | H'FFFF |

1. Port data register 3 (PDR3)

| Bit | 7 | 6 | 5 | 4 | 3 | 2 | 1 | 0 |
|---------------|-----------------|-----------------|-----------------|-----------------|-----------------|-----------------|-----------------|-----------------|
| | P3 ₇ | P3 ₆ | P3 ₅ | P3 ₄ | P3 ₃ | P3 ₂ | P3 ₁ | P3 ₀ |
| Initial value | 0 | 0 | 0 | 0 | 0 | 0 | 0 | 0 |
| Read/Write | R/W | R/W | R/W | R/W | R/W | R/W | R/W | R/W |

PDR3 is an 8-bit register that stores data for port 3 pins P3₇ to P3₀. If port 3 is read while PCR3 bits are set to 1, the values stored in PDR3 are read, regardless of the actual pin states. If port 3 is read while PCR3 bits are cleared to 0, the pin states are read.

Upon reset, PDR3 is initialized to H'00.

2. Port control register 3 (PCR3)

| Bit | 7 | 6 | 5 | 4 | 3 | 2 | 1 | 0 |
|---------------|-------------------|-------------------|-------------------|-------------------|-------------------|-------------------|-------------------|-------------------|
| | PCR3 ₇ | PCR3 ₆ | PCR3 ₅ | PCR3 ₄ | PCR3 ₃ | PCR3 ₂ | PCR3 ₁ | PCR3 ₀ |
| Initial value | 0 | 0 | 0 | 0 | 0 | 0 | 0 | 0 |
| Read/Write | W | W | W | W | W | W | W | W |

PCR3 is an 8-bit register for controlling whether each of the port 3 pins P3₇ to P3₀ functions as an input pin or output pin. Setting a PCR3 bit to 1 makes the corresponding pin an output pin, while clearing the bit to 0 makes the pin an input pin. The settings in PCR3 and in PDR3 are valid only when the corresponding pin is designated in PMR3 as a general I/O pin.

Upon reset, PCR3 is initialized to H'00.

PCR3 is a write-only register, which is always read as all 1s.

3. Port pull-up control register 3 (PUCR3)

| Bit | 7 | 6 | 5 | 4 | 3 | 2 | 1 | 0 |
|---------------|--------------------|--------------------|--------------------|--------------------|--------------------|--------------------|--------------------|--------------------|
| | PUCR3 ₇ | PUCR3 ₆ | PUCR3 ₅ | PUCR3 ₄ | PUCR3 ₃ | PUCR3 ₂ | PUCR3 ₁ | PUCR3 ₀ |
| Initial value | 0 | 0 | 0 | 0 | 0 | 0 | 0 | 0 |
| Read/Write | R/W | R/W | R/W | R/W | R/W | R/W | R/W | R/W |

PUCR3 controls whether the MOS pull-up of each port 3 pin is on or off. When a PCR3 bit is cleared to 0, setting the corresponding PUCR3 bit to 1 turns on the MOS pull-up for the corresponding pin, while clearing the bit to 0 turns off the MOS pull-up.

Upon reset, PUCR3 is initialized to H'00.

4. Port mode register 3 (PMR3)

| | | | | | | | | |
|---------------|-----|------|-----|-----|------|-----|-----|------|
| Bit | 7 | 6 | 5 | 4 | 3 | 2 | 1 | 0 |
| | CS | STRB | SO2 | SI2 | SCK2 | SO1 | SI1 | SCK1 |
| Initial value | 0 | 0 | 0 | 0 | 0 | 0 | 0 | 0 |
| Read/Write | R/W | R/W | R/W | R/W | R/W | R/W | R/W | R/W |

PMR3 is an 8-bit read/write register, controlling the selection of pin functions for port 3 pins.

Upon reset, PMR3 is initialized to H'00.

Bit 7: P3₇/CS pin function switch (CS)

This bit selects whether pin P3₇/CS is used as P3₇ or as CS .

Bit 7

| CS | Description |
|----|--|
| 0 | Functions as P3 ₇ I/O pin (initial value) |
| 1 | Functions as CS input pin |

Bit 6: P3₆/STRB pin function switch (STRB)

This bit selects whether pin P3₆/STRB is used as P3₆ or as STRB.

Bit 6

| STRB | Description |
|------|--|
| 0 | Functions as P3 ₆ I/O pin (initial value) |
| 1 | Functions as STRB output pin |

Bit 5: P3₅/SO₂ pin function switch (SO2)

This bit selects whether pin P3₅/SO₂ is used as P3₅ or as SO₂.

Bit 5

| SO2 | Description |
|-----|--|
| 0 | Functions as P3 ₅ I/O pin (initial value) |
| 1 | Functions as SO ₂ output pin |

Bit 4: P3₄/SI₂ pin function switch (SI2)

This bit selects whether pin P3₄/SI₂ is used as P3₄ or as SI₂.

Bit 4

| SI2 | Description | |
|------------|--|-----------------|
| 0 | Functions as P3 ₄ I/O pin | (initial value) |
| 1 | Functions as SI ₂ input pin | |

Bit 3: P3₃/SCK₂ pin function switch (SCK2)

This bit selects whether pin P3₃/SCK₂ is used as P3₃ or as SCK₂.

Bit 3

| SCK2 | Description | |
|-------------|---------------------------------------|-----------------|
| 0 | Functions as P3 ₃ I/O pin | (initial value) |
| 1 | Functions as SCK ₂ I/O pin | |

Bit 2: P3₂/SO₁ pin function switch (SO1)

This bit selects whether pin P3₂/SO₁ is used as P3₂ or as SO₁.

Bit 2

| SO1 | Description | |
|------------|---|-----------------|
| 0 | Functions as P3 ₂ I/O pin | (initial value) |
| 1 | Functions as SO ₁ output pin | |

Bit 1: P3₁/SI₁ pin function switch (SI1)

This bit selects whether pin P3₁/SI₁ is used as P3₁ or as SI₁.

Bit 1

| SI1 | Description | |
|------------|--|-----------------|
| 0 | Functions as P3 ₁ I/O pin | (initial value) |
| 1 | Functions as SI ₁ input pin | |

Bit 0: P3₀/SCK₁ pin function switch (SCK1)

This bit selects whether pin P3₀/SCK₁ is used as P3₀ or as SCK₁.

Bit 0

| SCK1 | Description | |
|-------------|---------------------------------------|-----------------|
| 0 | Functions as P3 ₀ I/O pin | (initial value) |
| 1 | Functions as SCK ₁ I/O pin | |

5. Port mode register 7 (PMR7)

| Bit | 7 | 6 | 5 | 4 | 3 | 2 | 1 | 0 |
|---------------|---|---|---|---|---|---|------|------|
| | — | — | — | — | — | — | POF2 | POF1 |
| Initial value | 1 | 1 | 1 | 1 | 1 | 1 | 0 | 0 |
| Read/Write | — | — | — | — | — | — | R/W | R/W |

PMR7 is an 8-bit read/write register that turns the PMOS transistors of pins P3₅/SO₂ and P3₂/SO₁ on and off.

Upon reset, PMR7 is initialized to H'FC.

Bits 7 to 2: Reserved bits

Bits 7 to 2 are reserved; they are always read as 1, and cannot be modified.

Bit 1: P3₅/SO₂ pin PMOS control (POF2)

This bit controls the PMOS transistor in the P3₅/SO₂ pin output buffer.

Bit 1

| POF2 | Description | (initial value) |
|------|------------------------|-----------------|
| 0 | CMOS output | |
| 1 | NMOS open-drain output | |

Bit 0: P3₂/SO₁ pin PMOS control (POF1)

This bit controls the PMOS transistor in the P3₂/SO₁ pin output buffer.

Bit 0

| POF1 | Description | (initial value) |
|------|------------------------|-----------------|
| 0 | CMOS output | |
| 1 | NMOS open-drain output | |

8.3.3 Pin Functions

Table 8-6 shows the port 3 pin functions.

Table 8-6 Port 3 Pin Functions

Pin **Pin Functions and Selection Method**

P3₇/CS The pin function depends on bit CS in PMR3 and bit PCR3₇ in PCR3.

| | | | |
|-------------------|---------------------------|----------------------------|--------------|
| CS | 0 | | 1 |
| PCR3 ₇ | 0 | 1 | * |
| Pin function | P3 ₇ input pin | P3 ₇ output pin | CS input pin |

P3₆/STRB The pin function depends on bit STRB in PMR3 and bit PCR3₆ in PCR3.

| | | | |
|-------------------|---------------------------|----------------------------|-----------------|
| STRB | 0 | | 1 |
| PCR3 ₆ | 0 | 1 | * |
| Pin function | P3 ₆ input pin | P3 ₆ output pin | STRB output pin |

P3₅/SO₂ The pin function depends on bit SO2 in PMR3 and bit PCR3₅ in PCR3.

| | | | |
|-------------------|---------------------------|----------------------------|----------------------------|
| SO2 | 0 | | 1 |
| PCR3 ₅ | 0 | 1 | * |
| Pin function | P3 ₅ input pin | P3 ₅ output pin | SO ₂ output pin |

P3₄/SI₂ The pin function depends on bit SI2 in PMR3 and bit PCR3₄ in PCR3.

| | | | |
|-------------------|---------------------------|----------------------------|---------------------------|
| SI2 | 0 | | 1 |
| PCR3 ₄ | 0 | 1 | * |
| Pin function | P3 ₄ input pin | P3 ₄ output pin | SI ₂ input pin |

P3₃/SCK₂ The pin function depends on bit SCK2 in PMR3, bits CKS2 to CKS0 in SCR2, and bit PCR3₃ in PCR3.

| | | | | |
|-------------------|---------------------------|----------------------------|-----------------------------|----------------------------|
| SCK2 | 0 | | 1 | |
| CKS2 to CKS0 | * | | Not 111 | 111 |
| PCR3 ₃ | 0 | 1 | * | * |
| Pin function | P3 ₃ input pin | P3 ₃ output pin | SCK ₂ output pin | SCK ₂ input pin |

Note: * Don't care

Table 8-6 Port 3 Pin Functions (cont)**Pin Pin Functions and Selection Method**

P3₂/SO₁ The pin function depends on bit SO1 in PMR3 and bit PCR3₂ in PCR3.

| | | | | |
|-------------------|---------------------------|----------------------------|----------------------------|--|
| SO1 | 0 | | 1 | |
| PCR3 ₂ | 0 | 1 | * | |
| Pin function | P3 ₂ input pin | P3 ₂ output pin | SO ₁ output pin | |

P3₁/SI₁ The pin function depends on bit SI1 in PMR3 and bit PCR3₁ in PCR3.

| | | | | |
|-------------------|---------------------------|----------------------------|---------------------------|--|
| SI1 | 0 | | 1 | |
| PCR3 ₁ | 0 | 1 | * | |
| Pin function | P3 ₁ input pin | P3 ₁ output pin | SI ₁ input pin | |

P3₀/SCK₁ The pin function depends on bit SCK1 in PMR3, bit CKS3 in SCR1, and bit PCR3₀ in PCR3.

| | | | | |
|-------------------|---------------------------|----------------------------|-----------------------------|----------------------------|
| SCK1 | 0 | | 1 | |
| CKS3 | * | | 0 | 1 |
| PCR3 ₀ | 0 | 1 | * | * |
| Pin function | P3 ₀ input pin | P3 ₀ output pin | SCK ₁ output pin | SCK ₁ input pin |

Note: * Don't care

8.3.4 Pin States

Table 8-7 shows the port 3 pin states in each operating mode.

Table 8-7 Port 3 Pin States

| Pins | Reset | Sleep | Subsleep | Standby | Watch | Subactive | Active |
|-----------------------------------|-----------|----------|----------|------------|----------|------------|------------|
| P3 ₇ /CS | High- | Retains | Retains | High- | Retains | Functional | Functional |
| P3 ₆ /STRB | impedance | previous | previous | impedance* | previous | | |
| P3 ₅ /SO ₂ | | state | state | | state | | |
| P3 ₄ /SI ₂ | | | | | | | |
| P3 ₃ /SCK ₂ | | | | | | | |
| P3 ₂ /SO ₁ | | | | | | | |
| P3 ₁ /SI ₁ | | | | | | | |
| P3 ₀ /SCK ₁ | | | | | | | |

Note: * A high-level signal is output when the MOS pull-up is in the on state.

8.3.5 MOS Input Pull-Up

Port 3 has a built-in MOS input pull-up function that can be controlled by software. When a PCR3 bit is cleared to 0, setting the corresponding PUCR3 bit to 1 turns on the MOS pull-up for that pin. The MOS pull-up function is in the off state after a reset.

| | | | |
|--------------------|-----|----|-----|
| PCR3 _n | 0 | | 1 |
| PUCR3 _n | 0 | 1 | * |
| MOS input pull-up | Off | On | Off |

Note: * Don't care

(n = 7 to 0)

8.4 Port 4

8.4.1 Overview

Port 4 is an 8-bit I/O port, configured as shown in figure 8-3.

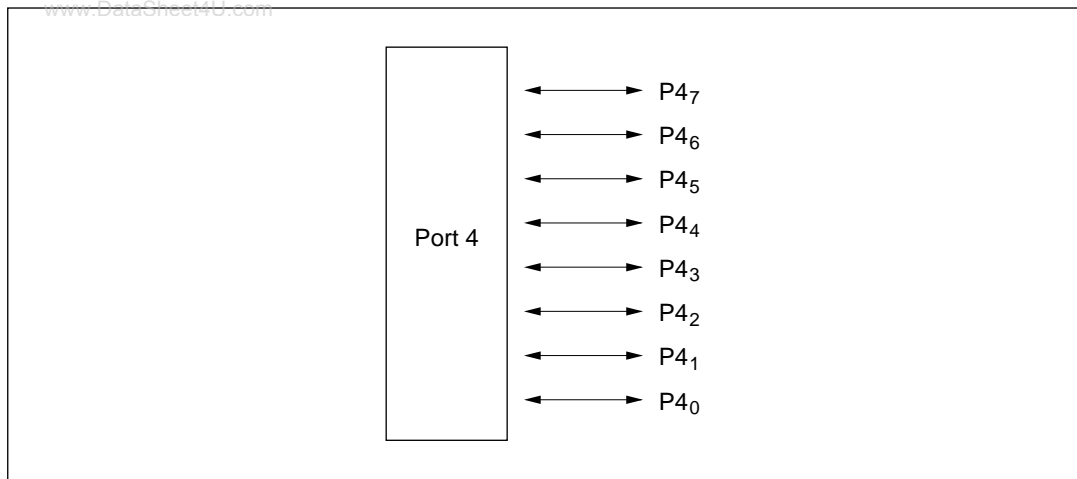


Figure 8-3 Port 4 Pin Configuration

8.4.2 Register Configuration and Description

Table 8-8 shows the port 4 register configuration.

Table 8-8 Port 4 Registers

| Name | Abbrev. | R/W | Initial Value | Address |
|-------------------------|---------|-----|---------------|---------|
| Port data register 4 | PDR4 | R/W | H'00 | H'FFD7 |
| Port control register 4 | PCR4 | W | H'00 | H'FFE7 |

1. Port data register 4 (PDR4)

| Bit | 7 | 6 | 5 | 4 | 3 | 2 | 1 | 0 |
|---------------|-----------------|-----------------|-----------------|-----------------|-----------------|-----------------|-----------------|-----------------|
| | P4 ₇ | P4 ₆ | P4 ₅ | P4 ₄ | P4 ₃ | P4 ₂ | P4 ₁ | P4 ₀ |
| Initial value | 0 | 0 | 0 | 0 | 0 | 0 | 0 | 0 |
| Read/Write | R/W | R/W | R/W | R/W | R/W | R/W | R/W | R/W |

PDR4 is an 8-bit register that stores data for port 4 pins P4₇ to P4₀. If port 4 is read while PCR4 bits are set to 1, the values stored in PDR4 are read, regardless of the actual pin states. If port 4 is read while PCR4 bits are cleared to 0, the pin states are read.

Upon reset, PDR4 is initialized to H'00.

2. Port control register 4 (PCR4)

| | | | | | | | | |
|---------------|-------------------|-------------------|-------------------|-------------------|-------------------|-------------------|-------------------|-------------------|
| Bit | 7 | 6 | 5 | 4 | 3 | 2 | 1 | 0 |
| | PCR4 ₇ | PCR4 ₆ | PCR4 ₅ | PCR4 ₄ | PCR4 ₃ | PCR4 ₂ | PCR4 ₁ | PCR4 ₀ |
| Initial value | 0 | 0 | 0 | 0 | 0 | 0 | 0 | 0 |
| Read/Write | W | W | W | W | W | W | W | W |

PCR4 controls whether each of the port 4 pins P4₇ to P4₀ functions as an input pin or output pin. Setting a PCR4 bit to 1 makes the corresponding pin an output pin, while clearing the bit to 0 makes the pin an input pin.

Upon reset, PCR4 is initialized to H'00.

PCR4 is a write-only register, which is always reads as all 1s.

8.4.3 Pin Functions

Table 8-9 shows the port 4 pin functions.

Table 8-9 Port 4 Pin Functions

| Pin | Pin Functions and Selection Method | |
|-----------------|--|----------------------------|
| P4 _n | The pin function depends on bit PCR4 _n in PCR4. | |
| | (n = 7 to 0) | |
| | PCR4 _n | |
| | 0 | 1 |
| Pin function | P4 _n input pin | P4 _n output pin |

8.4.4 Pin States

Table 8-10 shows the port 4 pin states in each operating mode.

Table 8-10 Port 4 Pin States

| Pins | Reset | Sleep | Subsleep | Standby | Watch | Subactive | Active |
|------------------------------------|----------------|------------------------|------------------------|----------------|------------------------|------------|------------|
| P4 ₇ to P4 ₀ | High-impedance | Retains previous state | Retains previous state | High-impedance | Retains previous state | Functional | Functional |

8.5 Port 5

8.5.1 Overview

Port 5 is an 8-bit I/O port, configured as shown in figure 8-4.

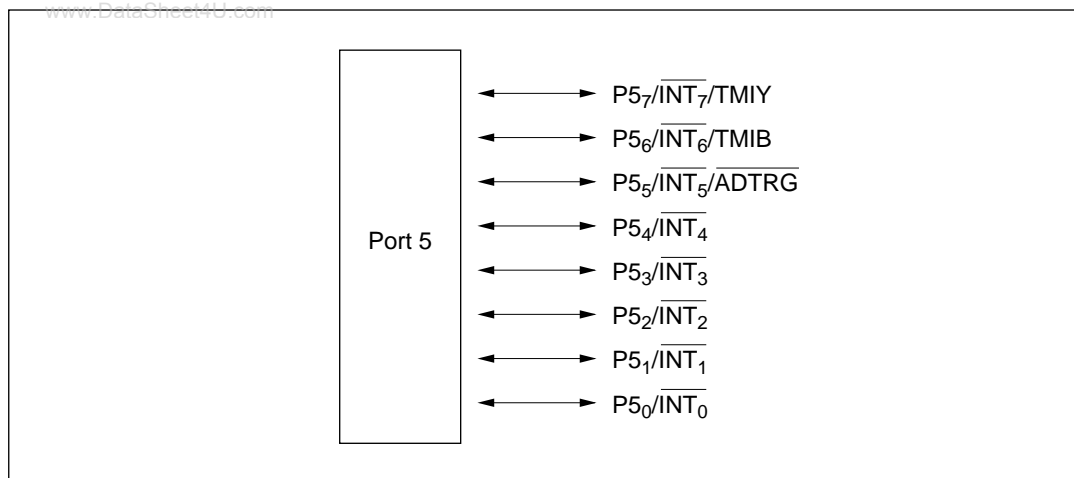


Figure 8-4 Port 5 Pin Configuration

8.5.2 Register Configuration and Description

Table 8-11 shows the port 5 register configuration.

Table 8-11 Port 5 Registers

| Name | Abbrev. | R/W | Initial Value | Address |
|---------------------------------|---------|-----|---------------|---------|
| Port data register 5 | PDR5 | R/W | H'00 | H'FFD8 |
| Port control register 5 | PCR5 | W | H'00 | H'FFE8 |
| Port pull-up control register 5 | PUCR5 | R/W | H'00 | H'FFEF |

1. Port data register 5 (PDR5)

| Bit | 7 | 6 | 5 | 4 | 3 | 2 | 1 | 0 |
|---------------|-----------------|-----------------|-----------------|-----------------|-----------------|-----------------|-----------------|-----------------|
| | P5 ₇ | P5 ₆ | P5 ₅ | P5 ₄ | P5 ₃ | P5 ₂ | P5 ₁ | P5 ₀ |
| Initial value | 0 | 0 | 0 | 0 | 0 | 0 | 0 | 0 |
| Read/Write | R/W | R/W | R/W | R/W | R/W | R/W | R/W | R/W |

PDR5 is an 8-bit register that stores data for port 5 pins P5₇ to P5₀. If port 5 is read while PCR5 bits are set to 1, the values stored in PDR5 are read, regardless of the actual pin states. If port 5 is read while PCR5 bits are cleared to 0, the pin states are read.

Upon reset, PDR5 is initialized to H'00.

2. Port control register 5 (PCR5)

| Bit | 7 | 6 | 5 | 4 | 3 | 2 | 1 | 0 |
|---------------|-------------------|-------------------|-------------------|-------------------|-------------------|-------------------|-------------------|-------------------|
| | PCR5 ₇ | PCR5 ₆ | PCR5 ₅ | PCR5 ₄ | PCR5 ₃ | PCR5 ₂ | PCR5 ₁ | PCR5 ₀ |
| Initial value | 0 | 0 | 0 | 0 | 0 | 0 | 0 | 0 |
| Read/Write | W | W | W | W | W | W | W | W |

PCR5 is an 8-bit register for controlling whether each of the port 5 pins P5₇ to P5₀ functions as an input pin or output pin. Setting a PCR5 bit to 1 makes the corresponding pin an output pin, while clearing the bit to 0 makes the pin an input pin.

Upon reset, PCR5 is initialized to H'00.

PCR5 is a write-only register, which is always read as all 1s.

3. Port pull-up control register 5 (PUCR5)

| Bit | 7 | 6 | 5 | 4 | 3 | 2 | 1 | 0 |
|---------------|--------------------|--------------------|--------------------|--------------------|--------------------|--------------------|--------------------|--------------------|
| | PUCR5 ₇ | PUCR5 ₆ | PUCR5 ₅ | PUCR5 ₄ | PUCR5 ₃ | PUCR5 ₂ | PUCR5 ₁ | PUCR5 ₀ |
| Initial value | 0 | 0 | 0 | 0 | 0 | 0 | 0 | 0 |
| Read/Write | R/W | R/W | R/W | R/W | R/W | R/W | R/W | R/W |

PUCR5 controls whether the MOS pull-up of each port 5 pin is on or off. When a PCR5 bit is cleared to 0, setting the corresponding PUCR5 bit to 1 turns on the MOS pull-up for the corresponding pin, while clearing the bit to 0 turns off the MOS pull-up.

Upon reset, PUCR5 is initialized to H'00.

8.5.3 Pin Functions

Table 8-12 shows the port 5 pin functions.

Table 8-12 Port 5 Pin Functions

Pin **Pin Functions and Selection Method**

$P5_7/\overline{INT}_7/TMIY$ The pin function depends on bit $PCR5_7$ in $PCR5$.

| | | |
|--------------|---|-------------------|
| $PCR5_7$ | 0 | 1 |
| Pin function | $P5_7$ input pin | $P5_7$ output pin |
| | \overline{INT}_7 input pin and $TMIY$ input pin | |

$P5_6/\overline{INT}_6/TMIB$ The pin function depends on bit $PCR5_6$ in $PCR5$.

| | | |
|--------------|---|-------------------|
| $PCR5_6$ | 0 | 1 |
| Pin function | $P5_6$ input pin | $P5_6$ output pin |
| | \overline{INT}_6 input pin and $TMIB$ input pin | |

$P5_5/\overline{INT}_5/ADTRG$ The pin function depends on bit $PCR5_5$ in $PCR5$.

| | | |
|--------------|--|-------------------|
| $PCR5_5$ | 0 | 1 |
| Pin function | $P5_5$ input pin | $P5_5$ output pin |
| | \overline{INT}_5 input pin and $ADTRG$ input pin | |

$P5_4/\overline{INT}_4$ to $P5_0/\overline{INT}_0$ The pin function depends on bit $PCR5_n$ in $PCR5$.

(n = 4 to 0)

| | | |
|--------------|------------------------------|-------------------|
| $PCR5_n$ | 0 | 1 |
| Pin function | $P5_n$ input pin | $P5_n$ output pin |
| | \overline{INT}_n input pin | |

8.5.4 Pin States

Table 8-13 shows the port 5 pin states in each operating mode.

Table 8-13 Port 5 Pin States

| Pins | Reset | Sleep | Subsleep | Standby | Watch | Subactive | Active |
|---|--------------------|------------------------------|------------------------------|---------------------|------------------------------|------------|------------|
| P5 ₇ /INT ₇ / TMIY to P5 ₀ /INT ₀ | High- impedance | Retains previous state | Retains previous state | High- impedance* | Retains previous state | Functional | Functional |

Note: * A high-level signal is output when the MOS pull-up is in the on state.

8.5.5 MOS Input Pull-Up

Port 5 has a built-in MOS input pull-up function that can be controlled by software. When a PCR5 bit is cleared to 0, setting the corresponding PUCR5 bit to 1 turns on the MOS pull-up for that pin. The MOS pull-up function is in the off state after a reset.

| | | | |
|--------------------|-----|----|-----|
| PCR5 _n | 0 | | 1 |
| PUCR5 _n | 0 | 1 | * |
| MOS input pull-up | Off | On | Off |

Note: * Don't care

(n = 7 to 0)

8.6 Port 6

8.6.1 Overview

Port 6 is an 8-bit I/O port that also provides a realtime output function. Figure 8-5 shows its pin configuration.

www.DataSheet4U.com

The realtime output function enables output data or the input/output direction to be changed instantly by an external trigger input.

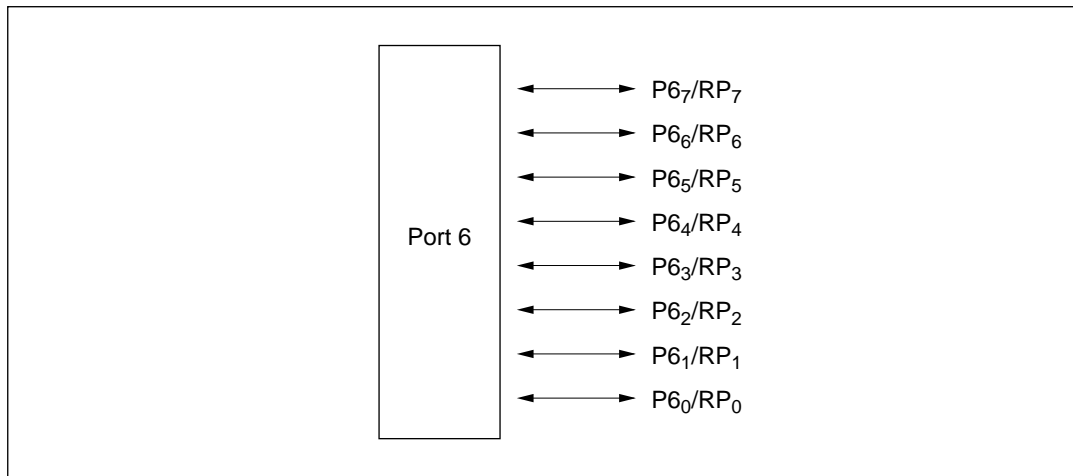


Figure 8-5 Port 6 Pin Configuration

8.6.2 Register Configuration and Description

Table 8-14 shows the port 6 register configuration.

Table 8-14 Port 6 Registers

| Name | Abbrev. | R/W | Initial Value | Address |
|-----------------------------|---------|-----|---------------|---------|
| Port data register 6 | PDR6 | R/W | H'00 | H'FFD9 |
| Port control register 6 | PCR6 | W | H'00 | H'FFE9 |
| Realtime enable register | RTER | R/W | H'00 | H'FFFE |
| Port data register slave | PDRS | — | H'00 | — |
| Port control register slave | PCRS | — | H'00 | — |

1. Port data register 6 (PDR6)

| Bit | 7 | 6 | 5 | 4 | 3 | 2 | 1 | 0 |
|---------------|-----------------|-----------------|-----------------|-----------------|-----------------|-----------------|-----------------|-----------------|
| | P6 ₇ | P6 ₆ | P6 ₅ | P6 ₄ | P6 ₃ | P6 ₂ | P6 ₁ | P6 ₀ |
| Initial value | 0 | 0 | 0 | 0 | 0 | 0 | 0 | 0 |
| Read/Write | R/W | R/W | R/W | R/W | R/W | R/W | R/W | R/W |

PDR6 is an 8-bit register that stores data for port 6 pins P6₇ to P6₀.

Upon reset, PDR6 is initialized to H'00.

2. Port control register 6 (PCR6)

| Bit | 7 | 6 | 5 | 4 | 3 | 2 | 1 | 0 |
|---------------|-------------------|-------------------|-------------------|-------------------|-------------------|-------------------|-------------------|-------------------|
| | PCR6 ₇ | PCR6 ₆ | PCR6 ₅ | PCR6 ₄ | PCR6 ₃ | PCR6 ₂ | PCR6 ₁ | PCR6 ₀ |
| Initial value | 0 | 0 | 0 | 0 | 0 | 0 | 0 | 0 |
| Read/Write | R/W | R/W | R/W | R/W | R/W | R/W | R/W | R/W |

PCR6 is an 8-bit register for controlling whether each of the port 6 pins P6₇ to P6₀ functions as an input pin or output pin.

Upon reset, PCR6 is initialized to H'00.

PCR6 is a write-only register, which always reads all 1s.

3. Realtime enable register (RTER)

| Bit | 7 | 6 | 5 | 4 | 3 | 2 | 1 | 0 |
|---------------|-------------------|-------------------|-------------------|-------------------|-------------------|-------------------|-------------------|-------------------|
| | RTER ₇ | RTER ₆ | RTER ₅ | RTER ₄ | RTER ₃ | RTER ₂ | RTER ₁ | RTER ₀ |
| Initial value | 0 | 0 | 0 | 0 | 0 | 0 | 0 | 0 |
| Read/Write | R/W | R/W | R/W | R/W | R/W | R/W | R/W | R/W |

RTER is an 8-bit read/write register, controlling the selection of pin functions for port 6 pins P6₇/RP₇ to P6₀/RP₀. Setting an RTER bit to 1 makes the corresponding pin a realtime port (RP) output pin, while clearing the bit to 0 makes the pin an ordinary port (P6) pin. If port 6 is read while RTER bits are set to 1, the values stored in PDR6 are read, regardless of the actual pin states.

Upon reset, RTER is initialized to H'00.

8.6.3 Pin Functions

Table 8-15 shows the port 6 pin functions.

Table 8-15 Port 6 Pin Functions

Pin **Pin Functions and Selection Method**

P6₇/RP₇ to P6₀/RP₀ The pin function depends on bit RTER_n in RTER and bit PCRS_n in PCRS. (n = 7 to 0)

| RTER _n | 0 | | 1 | |
|------------------------------|---------------------------|----------------------------|----------------------------|-------------------|
| PCRS _n | 0 | 1 | 0 | 1 |
| Pin function | P6 _n input pin | P6 _n output pin | RP _n output pin | |
| Output value | — | PDR6 _n | High impedance | PDRS _n |
| PDR6 _n read value | P6 _n pin | PDR6 _n | PDR6 _n | PDR6 _n |

8.6.4 Pin States

Table 8-16 shows the port 6 pin states in each operating mode.

Table 8-16 Port 6 Pin States

| Pin | Reset | Sleep | Subsleep | Standby | Watch | Subactive | Active |
|--|----------------|------------------------|------------------------|-----------------|------------------------|------------|------------|
| P6 ₇ /RP ₇ to P6 ₀ /RP ₀ | High-impedance | Retains previous state | Retains previous state | High-impedance* | Retains previous state | Functional | Functional |

Note: * A high-level signal is output when the MOS pull-up is in the on state.

8.6.5 Operation

Port 6 can be used as a realtime output port or general input/output port, depending on the contents of RTER. The realtime output function is selected when an RTER bit is set to 1, and the general input/output function is selected when the bit is cleared to 0. These two functions are described next (see figure 8-6).

www.DataSheet4U.com

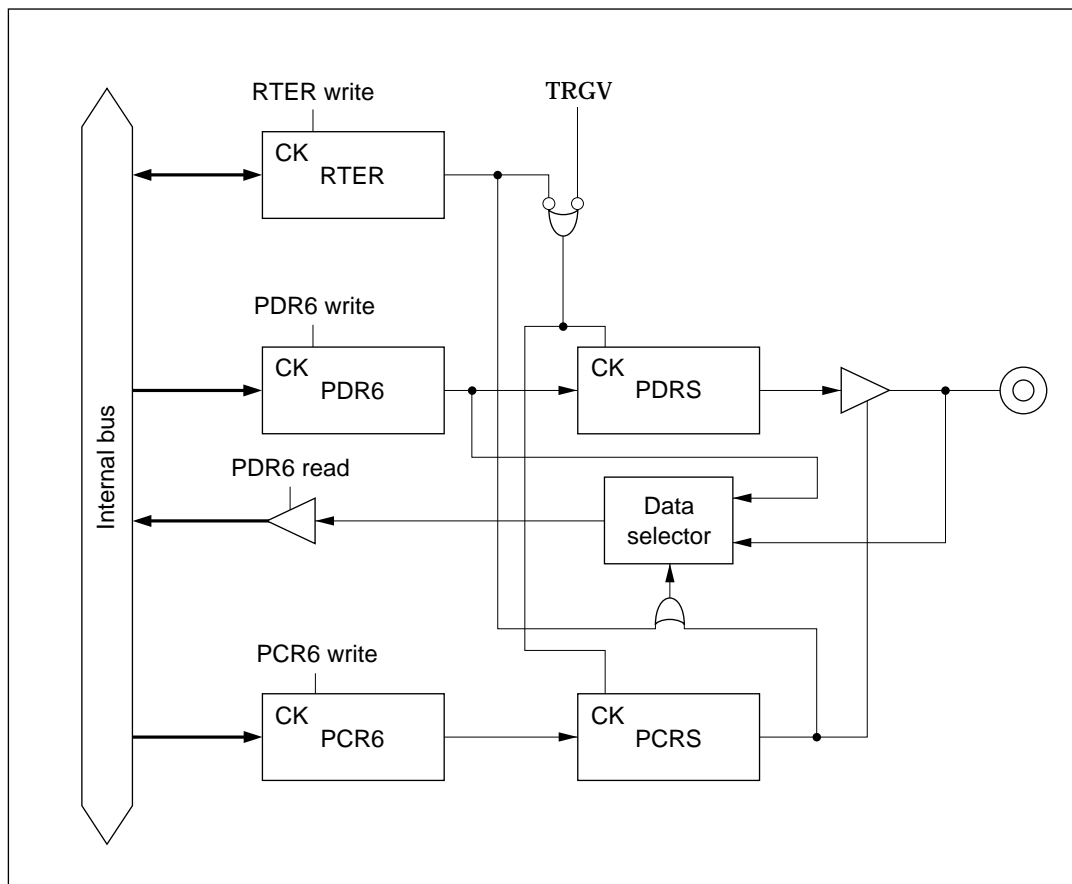


Figure 8-6 Port 6 Functional Block Diagram

1. Realtime output port operation (RTER = 1)

The realtime output function of a pin is selected when the corresponding RTER bit is set to 1. If a trigger signal is input at the TRGV pin, the data in PDR6 is transferred to PDRS, and the PCR6 data is transferred to PCRS. If the PCRS data is 1, the PDRS data is output at the P6/RP pin. If the PCRS data is 0, the P6/RP pin is in the high-impedance state. Trigger input at the TRGV pin can therefore immediately change the output state (1 or 0) of a pin, or switch the pin between the output and high-impedance states.

When PDR6 is read, the PDR6 value is read regardless of the PCR6 and PCRS values.

2. General input/output operation (RTER = 0)

The general input/output function of a pin is selected when the corresponding RTER bit is cleared to 0. When data is written in PDR6, the same data is also written in PDRS. Similarly, when data is written in PCR6, the same data is written in PCRS. PDR6 and PDRS function as a single register, as do PCR6 and PCRS, so the pin can be used for general input/output in the usual way. If the PCR6 value is 1, the PDR6 data is output at the P6/RP pin. If the PCR6 value is 0, the P6/RP pin becomes an input pin.

When PDR6 is read, if the PCR6 bit is 1 the PDR6 value is read. If the PCR6 bit is 0, the pin value is read.

8.7 Port 7

8.7.1 Overview

Port 7 is an 8-bit I/O port, configured as shown in figure 8-7.

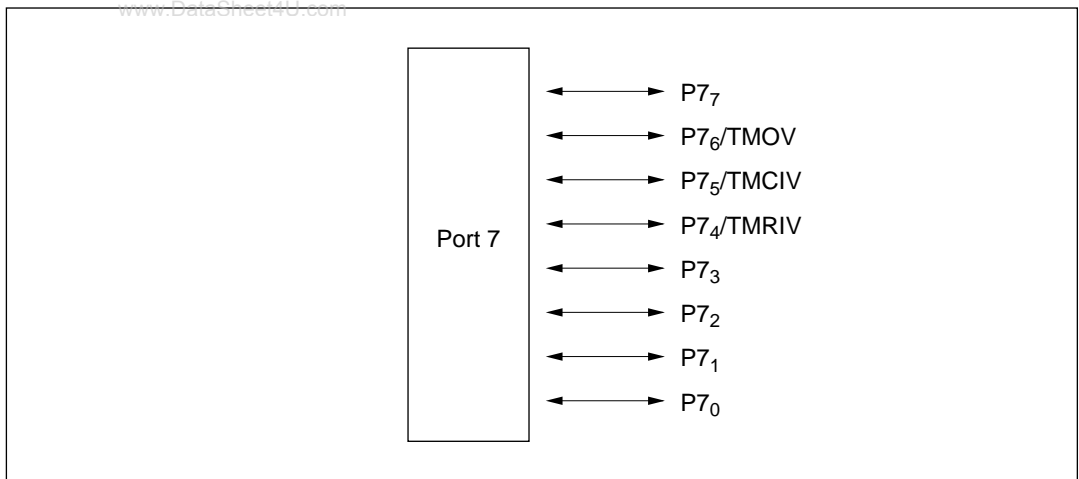


Figure 8-7 Port 7 Pin Configuration

8.7.2 Register Configuration and Description

Table 8-17 shows the port 7 register configuration.

Table 8-17 Port 7 Registers

| Name | Abbrev. | R/W | Initial Value | Address |
|-------------------------|---------|-----|---------------|---------|
| Port data register 7 | PDR7 | R/W | H'00 | H'FFDA |
| Port control register 7 | PCR7 | W | H'00 | H'FFEA |

1. Port data register 7 (PDR7)

| Bit | 7 | 6 | 5 | 4 | 3 | 2 | 1 | 0 |
|---------------|-----------------|-----------------|-----------------|-----------------|-----------------|-----------------|-----------------|-----------------|
| | P7 ₇ | P7 ₆ | P7 ₅ | P7 ₄ | P7 ₃ | P7 ₂ | P7 ₁ | P7 ₀ |
| Initial value | 0 | 0 | 0 | 0 | 0 | 0 | 0 | 0 |
| Read/Write | R/W | R/W | R/W | R/W | R/W | R/W | R/W | R/W |

PDR7 is an 8-bit register that stores data for port 7 pins P7₇ to P7₀. If port 7 is read while PCR7 bits are set to 1, the values stored in PDR7 are read, regardless of the actual pin states. If port 7 is read while PCR7 bits are cleared to 0, the pin states are read.

Upon reset, PDR7 is initialized to H'00.

2. Port control register 7 (PCR7)

| Bit | 7 | 6 | 5 | 4 | 3 | 2 | 1 | 0 |
|---------------|-------------------|-------------------|-------------------|-------------------|-------------------|-------------------|-------------------|-------------------|
| | PCR7 ₇ | PCR7 ₆ | PCR7 ₅ | PCR7 ₄ | PCR7 ₃ | PCR7 ₂ | PCR7 ₁ | PCR7 ₀ |
| Initial value | 0 | 0 | 0 | 0 | 0 | 0 | 0 | 0 |
| Read/Write | W | W | W | W | W | W | W | W |

PCR7 is an 8-bit register for controlling whether each of the port 7 pins P7₇ to P7₀ functions as an input pin or output pin. Setting a PCR7 bit to 1 makes the corresponding pin an output pin, while clearing the bit to 0 makes the pin an input pin.

Upon reset, PCR7 is initialized to H'00.

PCR7 is a write-only register, which always reads as all 1s.

8.7.3 Pin Functions

Table 8-18 shows the port 7 pin functions.

Table 8-18 Port 7 Pin Functions

Pin **Pin Functions and Selection Method**

P7₇, P7₃ to P7₀ The pin function depends on bit PCR7_n in PCR7.

(n = 7, 3 to 0)

| | | |
|-------------------|---------------------------|----------------------------|
| PCR7 _n | 0 | 1 |
| Pin function | P7 _n input pin | P7 _n output pin |

P7₆/TMOV The pin function depends on bit PCR7₆ in PCR7 and bits OS3 to OS0 in TCSR.V.

| | | | |
|-------------------|---------------------------|----------------------------|-----------------|
| OS3 to OS0 | 0000 | | Not 0000 |
| PCR7 ₆ | 0 | 1 | * |
| Pin function | P7 ₆ input pin | P7 ₆ output pin | TMOV output pin |

P7₅/TMCIV The pin function depends on bit PCR7₅ in PCR7.

| | | |
|-------------------|---------------------------|----------------------------|
| PCR7 ₅ | 0 | 1 |
| Pin function | P7 ₅ input pin | P7 ₅ output pin |
| | TMCIV input pin | |

P7₄/TMRIV The pin function depends on bit PCR7₄ in PCR7.

| | | |
|-------------------|---------------------------|----------------------------|
| PCR7 ₄ | 0 | 1 |
| Pin function | P7 ₄ input pin | P7 ₄ output pin |
| | TMRIV input pin | |

Note: * Don't care

8.7.4 Pin States

Table 8-19 shows the port 7 pin states in each operating mode.

Table 8-19 Port 7 Pin States

| Pins | Reset | Sleep | Subsleep | Standby | Watch | Subactive | Active |
|------------------------------------|----------------|------------------------|------------------------|----------------|------------------------|------------|------------|
| P7 ₇ to P7 ₀ | High-impedance | Retains previous state | Retains previous state | High-impedance | Retains previous state | Functional | Functional |

8.8 Port 8

8.8.1 Overview

Port 8 is an 8-bit I/O port configured as shown in figure 8-8.

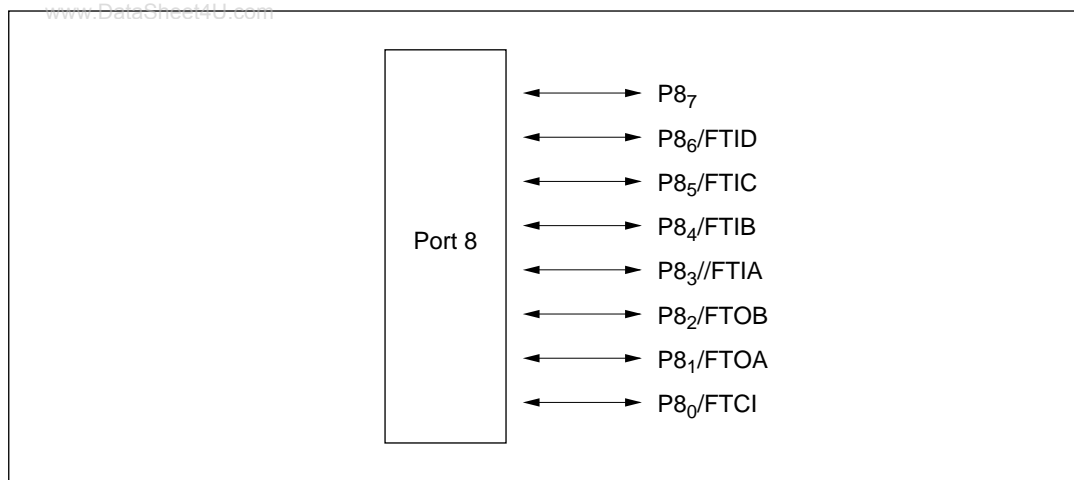


Figure 8-8 Port 8 Pin Configuration

8.8.2 Register Configuration and Description

Table 8-20 shows the port 8 register configuration.

Table 8-20 Port 8 Registers

| Name | Abbrev. | R/W | Initial Value | Address |
|-------------------------|---------|-----|---------------|---------|
| Port data register 8 | PDR8 | R/W | H'00 | H'FFDB |
| Port control register 8 | PCR8 | W | H'00 | H'FFEB |

1. Port data register 8 (PDR8)

| Bit | 7 | 6 | 5 | 4 | 3 | 2 | 1 | 0 |
|---------------|-----------------|-----------------|-----------------|-----------------|-----------------|-----------------|-----------------|-----------------|
| | P8 ₇ | P8 ₆ | P8 ₅ | P8 ₄ | P8 ₃ | P8 ₂ | P8 ₁ | P8 ₀ |
| Initial value | 0 | 0 | 0 | 0 | 0 | 0 | 0 | 0 |
| Read/Write | R/W | R/W | R/W | R/W | R/W | R/W | R/W | R/W |

PDR8 is an 8-bit register that stores data for port 8 pins P8₇ to P8₀. If port 8 is read while PCR8 bits are set to 1, the values stored in PDR8 are read, regardless of the actual pin states. If port 8 is read while PCR8 bits are cleared to 0, the pin states are read.

Upon reset, PDR8 is initialized to H'00.

2. Port control register 8 (PCR8)

| Bit | 7 | 6 | 5 | 4 | 3 | 2 | 1 | 0 |
|---------------|-------------------|-------------------|-------------------|-------------------|-------------------|-------------------|-------------------|-------------------|
| | PCR8 ₇ | PCR8 ₆ | PCR8 ₅ | PCR8 ₄ | PCR8 ₃ | PCR8 ₂ | PCR8 ₁ | PCR8 ₀ |
| Initial value | 0 | 0 | 0 | 0 | 0 | 0 | 0 | 0 |
| Read/Write | W | W | W | W | W | W | W | W |

PCR8 is an 8-bit register for controlling whether each of the port 8 pins P8₇ to P8₀ functions as an input or output pin. Setting a PCR8 bit to 1 makes the corresponding pin an output pin, while clearing the bit to 0 makes the pin an input pin.

Upon reset, PCR8 is initialized to H'00.

PCR8 is a write-only register, which is always read as all 1s.

8.8.3 Pin Functions

Table 8-21 shows the port 8 pin functions.

Table 8-21 Port 8 Pin Functions

Pin Pin Functions and Selection Method

P8₇ The pin function depends on bit PCR8₇ in PCR8.

| PCR8 ₇ | 0 | 1 |
|-------------------|---------------------------|----------------------------|
| Pin function | P8 ₇ input pin | P8 ₇ output pin |

P8₆/FTID The pin function depends on bit PCR8₆ in PCR8.

| PCR8 ₆ | 0 | 1 |
|-------------------|---------------------------|----------------------------|
| Pin function | P8 ₆ input pin | P8 ₆ output pin |
| | FTID input pin | |

P8₅/FTIC The pin function depends on bit PCR8₅ in PCR8.

| PCR8 ₅ | 0 | 1 |
|-------------------|---------------------------|----------------------------|
| Pin function | P8 ₅ input pin | P8 ₅ output pin |
| | FTIC input pin | |

P8₄/FTIB The pin function depends on bit PCR8₄ in PCR8.

| P8 ₄ | 0 | 1 |
|-----------------|---------------------------|----------------------------|
| Pin function | P8 ₄ input pin | P8 ₄ output pin |
| | FTIB input pin | |

P8₃/FTIA The pin function depends on bit PCR8₃ in PCR8.

| PCR8 ₃ | 0 | 1 |
|-------------------|---------------------------|----------------------------|
| Pin function | P8 ₃ input pin | P8 ₃ output pin |
| | FTIA input pin | |

P8₂/FTOB The pin function depends on bit PCR8₂ in PCR8 and bit OEB in TOCR.

| OEB | 0 | | 1 |
|-------------------|---------------------------|----------------------------|-----------------|
| PCR8 ₂ | 0 | 1 | * |
| Pin function | P8 ₂ input pin | P8 ₂ output pin | FTOB output pin |

Note: * Don't care

Table 8-21 Port 8 Pin Functions**Pin Pin Functions and Selection Method**

P8₁/FTOA The pin function depends on bit PCR8₁ in PCR8 and bit OEA in TOCR.

| | | | |
|-------------------|---------------------------|----------------------------|-----------------|
| OEA | 0 | | 1 |
| PCR8 ₁ | 0 | 1 | * |
| Pin function | P8 ₁ input pin | P8 ₁ output pin | FTOA output pin |

P8₀/FTCI The pin function depends on bit PCR8₀ in PCR8.

| | | |
|-------------------|---------------------------|----------------------------|
| PCR8 ₀ | 0 | 1 |
| Pin function | P8 ₀ input pin | P8 ₀ output pin |
| | FTCI input pin | |

Note: * Don't care

8.8.4 Pin States

Table 8-22 shows the port 8 pin states in each operating mode.

Table 8-22 Port 8 Pin States

| Pins | Reset | Sleep | Subsleep | Standby | Watch | Subactive | Active |
|--|----------------|------------------------|------------------------|----------------|------------------------|------------|------------|
| P8 ₇ to P8 ₀ /FTCI | High-impedance | Retains previous state | Retains previous state | High-impedance | Retains previous state | Functional | Functional |

8.9 Port B

8.9.1 Overview

Port B is an 8-bit input-only port, configured as shown in figure 8-9.

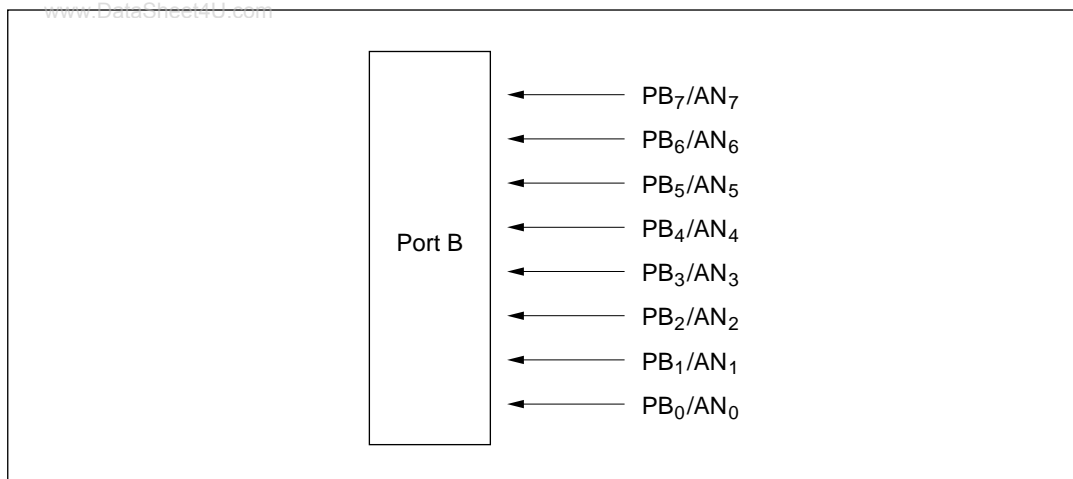


Figure 8-9 Port B Pin Configuration

8.9.2 Register Configuration and Description

Table 8-23 shows the port B register configuration.

Table 8-23 Port B Register

| Name | Abbrev. | R/W | Address |
|----------------------|---------|-----|---------|
| Port data register B | PDRB | R | H'FFDD |

Port Data Register B (PDRB)

| Bit | 7 | 6 | 5 | 4 | 3 | 2 | 1 | 0 |
|------------|-----------------|-----------------|-----------------|-----------------|-----------------|-----------------|-----------------|-----------------|
| | PB ₇ | PB ₆ | PB ₅ | PB ₄ | PB ₃ | PB ₂ | PB ₁ | PB ₀ |
| Read/Write | R | R | R | R | R | R | R | R |

Reading PDRB always gives the pin states. However, if a port B pin is selected as an analog input channel for the A/D converter by AMR bits CH3 to CH0, that pin reads 0 regardless of the input voltage.

8.9.3 Pin Functions

Table 8-24 shows the port B pin functions.

Table 8-24 Port B Pin Functions

| Pin | Pin Functions and Selection Method |
|-----|------------------------------------|
|-----|------------------------------------|

| | |
|----------------------------------|------------------|
| PB _n /AN _n | Always as below. |
|----------------------------------|------------------|

(n = 7 to 0)

| | |
|--------------|--|
| Pin function | PB _n input pin or AN _n input pin |
|--------------|--|

8.9.4 Pin States

Table 8-25 shows the port B pin states in each operating mode.

Table 8-25 Port B Pin States

| Pin | Reset | Sleep | Subsleep | Standby | Watch | Subactive | Active |
|----------------------------------|----------------|----------------|----------------|----------------|----------------|----------------|----------------|
| PB _n /AN _n | High-impedance | High-impedance | High-impedance | High-impedance | High-impedance | High-impedance | High-impedance |

(n = 7 to 0)

8.10 Port C

8.10.1 Overview

Port C is a 4-bit input-only port, configured as shown in figure 8-10.

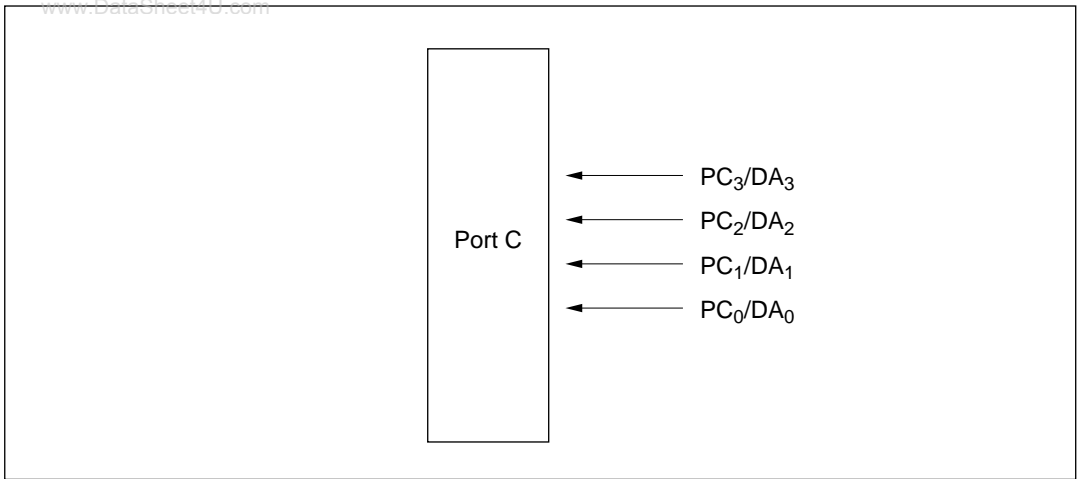


Figure 8-10 Port C Pin Configuration

8.10.2 Register Configuration and Description

Table 8-26 shows the port C register configuration.

Table 8-26 Port C Register

| Name | Abbrev. | R/W | Address |
|----------------------|---------|-----|---------|
| Port data register C | PDRC | R | H'FFDE |

Port Data Register C (PDRC)

| Bit | 7 | 6 | 5 | 4 | 3 | 2 | 1 | 0 |
|------------|---|---|---|---|-----------------|-----------------|-----------------|-----------------|
| | — | — | — | — | PC ₃ | PC ₂ | PC ₁ | PC ₀ |
| Read/Write | — | — | — | — | R | R | R | R |

Reading PDRC always gives the pin states. However, if a port C pin is selected as an analog output channel for the D/A converter by DACR0 bit DAE0 and bits DAOE3 to DAOE0, that pin reads 0 regardless of the output voltage. Bits 7 to 4 are always read as 1.

8.10.3 Pin Functions

Table 8-27 shows the port C pin functions.

Table 8-27 Port C Pin Functions

| Pin | Pin Functions and Selection Method |
|-----|------------------------------------|
|-----|------------------------------------|

| | |
|-------------|------------------|
| PC_n/DA_n | Always as below. |
|-------------|------------------|

(n = 3 to 0)

| Pin function | PC_n input pin or DA_n output pin |
|--------------|---------------------------------------|
|--------------|---------------------------------------|

8.10.4 Pin States

Table 8-28 shows the port C pin states in each operating mode.

Table 8-28 Port C Pin States

| Pin | Reset | Sleep | Subsleep | Standby | Watch | Subactive | Active |
|----------------------------|----------------|------------------------|------------------------|----------------|------------------------|------------|------------|
| PC_3/DA_3 to PC_0/DA_0 | High-impedance | Retains previous state | Retains previous state | High-impedance | Retains previous state | Functional | Functional |

Section 9 Timers

9.1 Overview

The H8/3927 Series provides 10 timers: timers A, B1, B2, B3, C, E, V, X, Y, and a watchdog timer. The functions of these timers are outlined in table 9-1.

Table 9-1 Timer Functions

| Name | Functions | Internal Clock | Event Input Pin | Waveform Output Pin | Remarks |
|----------|---|---|---|-----------------------|--|
| Timer A | • 8-bit interval timer | $\varnothing/8$ to $\varnothing/8192$ (8 choices) | — | — | |
| | • Time base | $\varnothing_W/128$ (choice of 4 overflow periods) | | | |
| | • Clock output | $\varnothing/4$ to $\varnothing/32$ $\varnothing_W/4$ to $\varnothing_W/32$ (8 choices) | — | P1 ₀ /TMOW | |
| Timer B1 | • 8-bit reload timer • Interval timer • Event counter | $\varnothing/4$ to $\varnothing/8192$ (7 choices) | P5 ₆ /INT ₆ / TMIB | — | |
| Timer B2 | • 8-bit reload timer • Interval timer | $\varnothing/4$ to $\varnothing/2048$ (7 choices) | — | — | Timer B2 and timer B3 are functionally identical |
| Timer B3 | • 8-bit reload timer • Interval timer | $\varnothing/4$ to $\varnothing/2048$ (7 choices) | — | — | |
| Timer C | • 8-bit reload timer • Interval timer • Event counter • Choice of up- or down-counting | $\varnothing/4$ to $\varnothing/8192$ $\varnothing_W/4$ (7 choices) | P1 ₃ /TMIC | — | Counting direction can be controlled by software or hardware |
| Timer E | • 8-bit reload timer • Interval timer | $\varnothing/8$ to $\varnothing/8192$ (8 choices) | — | P1 ₁ /TMOE | Square wave output (50% duty) available |
| Timer V | • 8-bit counter • Event counter • Output control by dual compare match • Counter clearing option • Externally triggerable | $\varnothing/4$ to $\varnothing/128$ (6 choices) | P7 ₅ /TMCIV | P7 ₆ /TMOV | |

Table 9-1 Timer Functions (cont)

| Name | Functions | Internal Clock | Event Input Pin | Waveform Output Pin | Remarks |
|----------------|--|--|---|--|---------|
| Timer X | <ul style="list-style-type: none">• 16-bit free-running timer• 2 output compare channels• 4 input capture channels• Counter clearing option• Event counter | $\emptyset/2$ to $\emptyset/32$ (3 choices) | P8 ₀ /FTCI | P8 ₁ /FTOA P8 ₂ /FTOB | |
| Timer Y | <ul style="list-style-type: none">• 16-bit reload timer• Free-running option• Event counter | $\emptyset/4$ to $\emptyset/8192$ (7 choices) | P5 ₇ / $\overline{\text{INT}}_7$ / TMIY | — | |
| Watchdog timer | <ul style="list-style-type: none">• Reset signal generated when 8-bit counter overflows | $\emptyset/8192$ | — | — | |

9.2 Timer A

9.2.1 Overview

Timer A is an 8-bit timer with interval timing and real-time clock time-base functions. The clock time-base function is available when a 32.768-kHz crystal oscillator is connected. A clock signal divided from 32.768 kHz or from the system clock can be output at the TMOW pin.

1. Features

Features of timer A are given below.

- Choice of eight internal clock sources ($\phi/8192$, $\phi/4096$, $\phi/2048$, $\phi/512$, $\phi/256$, $\phi/128$, $\phi/32$, $\phi/8$).
- Choice of four overflow periods (1 s, 0.5 s, 0.25 s, 31.25 ms) when timer A is used as a clock time base (using a 32.768 kHz crystal oscillator).
- An interrupt is requested when the counter overflows.
- Any of eight clock signals can be output from pin TMOW: 32.768 kHz divided by 32, 16, 8, or 4 (1 kHz, 2 kHz, 4 kHz, 8 kHz), or the system clock divided by 32, 16, 8, or 4.

2. Block diagram

Figure 9-2-1 shows a block diagram of timer A.

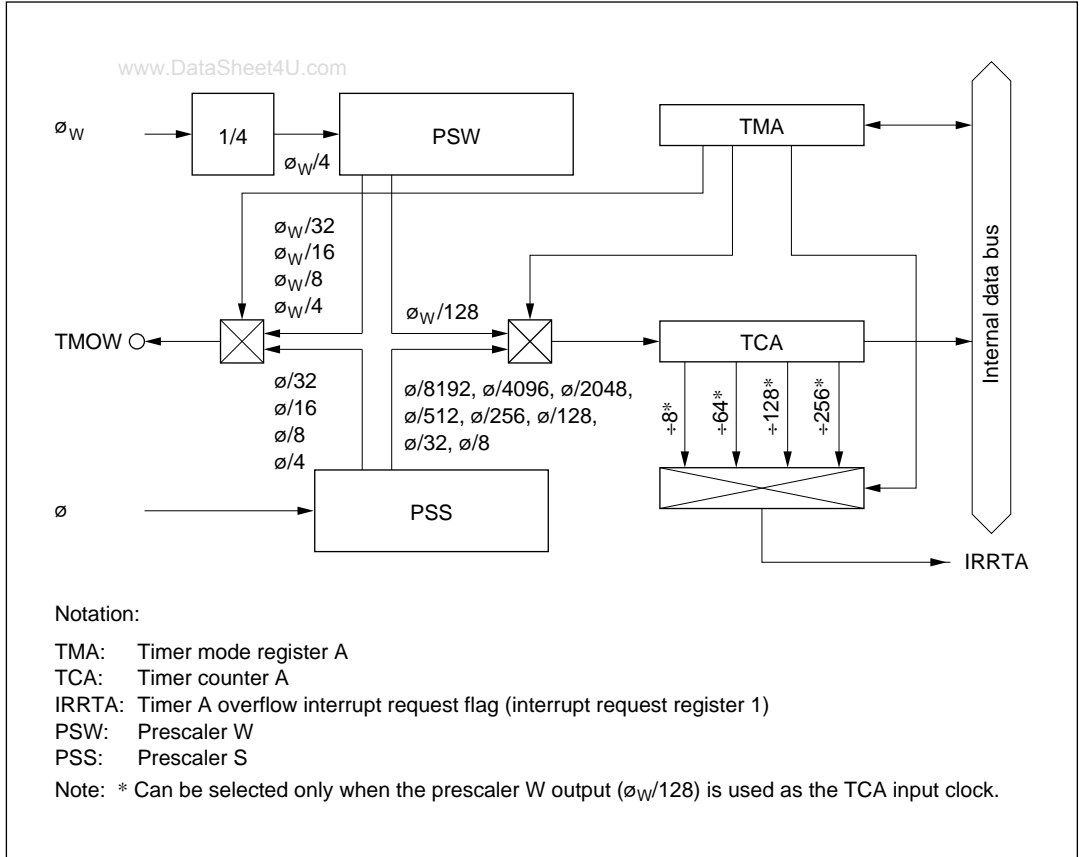


Figure 9-2-1 Block Diagram of Timer A

3. Pin configuration

Table 9-2-1 shows the timer A pin configuration.

Table 9-2-1 Pin Configuration

| Name | Abbrev. | I/O | Function |
|--------------|---------|--------|--|
| Clock output | TMOw | Output | Output of waveform generated by timer A output circuit |

4. Register configuration

Table 9-2-2 shows the register configuration of timer A.

Table 9-2-2 Timer A Registers

| Name | Abbrev. | R/W | Initial Value | Address |
|-----------------------|---------|-----|---------------|---------|
| Timer mode register A | TMA | R/W | H'10 | H'FFB0 |
| Timer counter A | TCA | R | H'00 | H'FFB1 |

9.2.2 Register Descriptions

1. Timer mode register A (TMA)

| Bit | 7 | 6 | 5 | 4 | 3 | 2 | 1 | 0 |
|---------------|------|------|------|---|------|------|------|------|
| | TMA7 | TMA6 | TMA5 | — | TMA3 | TMA2 | TMA1 | TMA0 |
| Initial value | 0 | 0 | 0 | 1 | 0 | 0 | 0 | 0 |
| Read/Write | R/W | R/W | R/W | — | R/W | R/W | R/W | R/W |

TMA is an 8-bit read/write register for selecting the prescaler, input clock, and output clock.

Upon reset, TMA is initialized to H'10.

Bits 7 to 5: Clock output select (TMA7 to TMA5)

Bits 7 to 5 choose which of eight clock signals is output at the TMOW pin. The system clock divided by 32, 16, 8, or 4 can be output in active mode and sleep mode. A 32.768 kHz signal divided by 32, 16, 8, or 4 can be output in active mode, sleep mode, and subactive mode.

| Bit 7 TMA7 | Bit 6 TMA6 | Bit 5 TMA5 | Clock Output |
|---------------|---------------|---------------|--------------|
| 0 | 0 | 0 | $\phi/32$ |
| | | 1 | $\phi/16$ |
| | 1 | 0 | $\phi/8$ |
| | | 1 | $\phi/4$ |
| 1 | 0 | 0 | $\phi_W/32$ |
| | | 1 | $\phi_W/16$ |
| | 1 | 0 | $\phi_W/8$ |
| | | 1 | $\phi_W/4$ |

Bit 4: Reserved bit

Bit 4 is reserved; it is always read as 1, and cannot be modified.

Bits 3 to 0: Internal clock select (TMA3 to TMA0)

Bits 3 to 0 select the clock input to TCA. The selection is made as follows.

| | | | | Description | |
|---------------|---------------|---------------|---------------|---|--------------------------------|
| Bit 3 TMA3 | Bit 2 TMA2 | Bit 1 TMA1 | Bit 0 TMA0 | Prescaler and Divider Ratio or Overflow Period | Function |
| 0 | 0 | 0 | 0 | PSS, $\emptyset/8192$ | (initial value) Interval timer |
| | | | 1 | PSS, $\emptyset/4096$ | |
| | | 1 | 0 | PSS, $\emptyset/2048$ | |
| | | | 1 | PSS, $\emptyset/512$ | |
| | 1 | 0 | 0 | PSS, $\emptyset/256$ | |
| | | | 1 | PSS, $\emptyset/128$ | |
| | | 1 | 0 | PSS, $\emptyset/32$ | |
| | | | 1 | PSS, $\emptyset/8$ | |
| 1 | 0 | 0 | 0 | PSW, 1 s | Clock time base |
| | | | 1 | PSW, 0.5 s | |
| | | 1 | 0 | PSW, 0.25 s | |
| | | | 1 | PSW, 0.03125 s | |
| | 1 | 0 | 0 | PSW and TCA are reset | |
| | | | 1 | | |
| | | 1 | 0 | | |
| | | | 1 | | |

2. Timer counter A (TCA)

| Bit | 7 | 6 | 5 | 4 | 3 | 2 | 1 | 0 |
|---------------|------|------|------|------|------|------|------|------|
| | TCA7 | TCA6 | TCA5 | TCA4 | TCA3 | TCA2 | TCA1 | TCA0 |
| Initial value | 0 | 0 | 0 | 0 | 0 | 0 | 0 | 0 |
| Read/Write | R | R | R | R | R | R | R | R |

TCA is an 8-bit read-only up-counter, which is incremented by internal clock input. The clock source for input to this counter is selected by bits TMA3 to TMA0 in timer mode register A (TMA). TCA values can be read by the CPU in active mode, but cannot be read in subactive mode. When TCA overflows, the IRRTA bit in interrupt request register 1 (IRR1) is set to 1.

TCA is cleared by setting bits TMA3 and TMA2 of TMA to 11.

Upon reset, TCA is initialized to H'00.

9.2.3 Timer Operation

1. Interval timer operation

When bit TMA3 in timer mode register A (TMA) is cleared to 0, timer A functions as an 8-bit interval timer.

Upon reset, TCA is cleared to H'00 and bit TMA3 is cleared to 0, so up-counting and interval timing resume immediately. The clock input to timer A is selected by bits TMA2 to TMA0 in TMA; any of eight internal clock signals output by prescaler S can be selected.

After the count value in TCA reaches H'FF, the next clock signal input causes timer A to overflow, setting bit IRRTA to 1 in interrupt request register 1 (IRR1). If IENTA = 1 in interrupt enable register 1 (IENR1), a CPU interrupt is requested.*

At overflow, TCA returns to H'00 and starts counting up again. In this mode timer A functions as an interval timer that generates an overflow output at intervals of 256 input clock pulses.

Note: * For details on interrupts, see 3.3, Interrupts.

2. Real-time clock time base operation

When bit TMA3 in TMA is set to 1, timer A functions as a real-time clock time base by counting clock signals output by prescaler W. The overflow period of timer A is set by bits TMA1 and TMA0 in TMA. A choice of four periods is available. In time base operation (TMA3 = 1), setting bit TMA2 to 1 clears both TCA and prescaler W to their initial values of H'00.

www.DataSheet4U.com

3. Clock output

Setting bit TMOW in port mode register 1 (PMR1) to 1 causes a clock signal to be output at pin TMOW. Eight different clock output signals can be selected by means of bits TMA7 to TMA5 in TMA. The system clock divided by 32, 16, 8, or 4 can be output in active mode and sleep mode. A 32.768 kHz signal divided by 32, 16, 8, or 4 can be output in active mode, sleep mode, watch mode, subactive mode, and subsleep mode.

9.2.4 Timer A Operation States

Table 9-2-3 summarizes the timer A operation states.

Table 9-2-3 Timer A Operation States

| Operation Mode | | Reset | Active | Sleep | Watch | Sub-active | Sub-sleep | Standby |
|-----------------------|-----------------|--------------|---------------|--------------|--------------|-------------------|------------------|----------------|
| TCA | Interval | Reset | Functions | Functions | Halted | Halted | Halted | Halted |
| | Clock time base | Reset | Functions | Functions | Functions | Functions | Functions | Halted |
| TMA | | Reset | Functions | Retained | Retained | Functions | Retained | Retained |

Note: When the real-time clock time base function is selected as the internal clock of TCA in active mode or sleep mode, the internal clock is not synchronous with the system clock, so it is synchronized by a synchronizing circuit. This may result in a maximum error of $1/\varnothing$ (s) in the count cycle.

9.3 Timer B1

9.3.1 Overview

Timer B1 is an 8-bit timer that increments each time a clock pulse is input. This timer has two operation modes, interval and auto reload.

www.DataSheet4U.com

1. Features

Features of timer B1 are given below.

- Choice of seven internal clock sources ($\phi/8192$, $\phi/2048$, $\phi/512$, $\phi/256$, $\phi/64$, $\phi/16$, $\phi/4$) or an external clock (can be used to count external events).
- An interrupt is requested when the counter overflows.

2. Block diagram

Figure 9-3-1 shows a block diagram of timer B1.

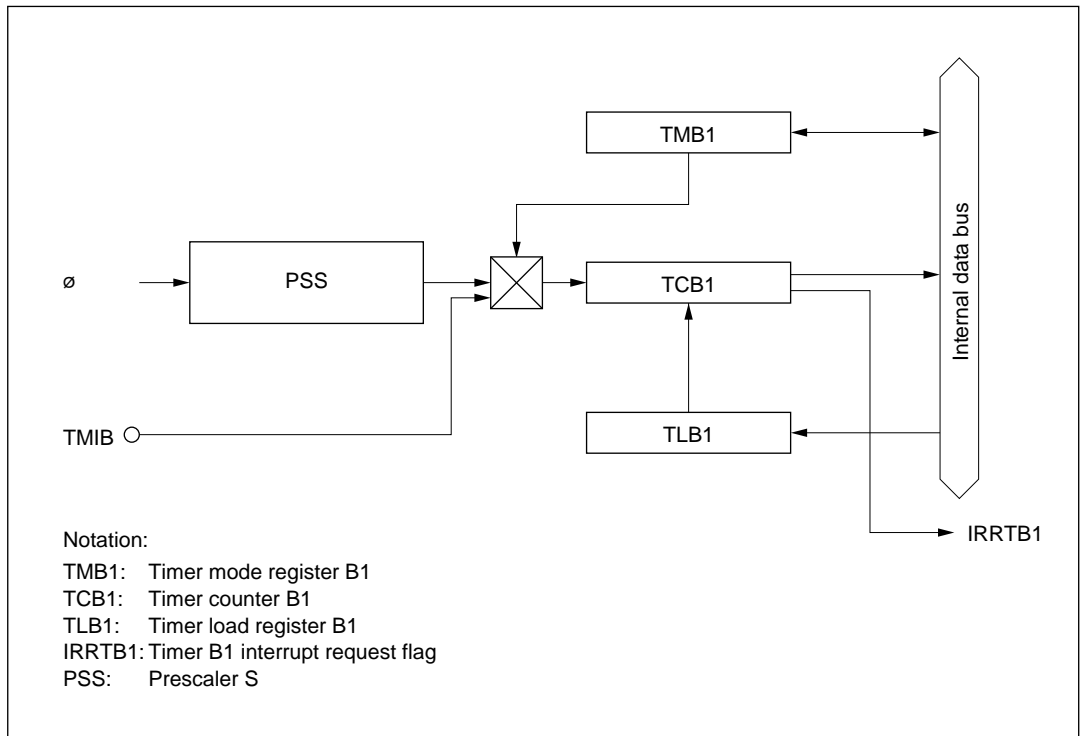


Figure 9-3-1 Block Diagram of Timer B1

3. Pin configuration

Table 9-3-1 shows the timer B1 pin configuration.

Table 9-3-1 Pin Configuration

| Name | Abbrev. | I/O | Function |
|----------------------|---------|-------|---------------------|
| Timer B1 event input | TMIB | Input | Event input to TCB1 |

4. Register configuration

Table 9-3-2 shows the register configuration of timer B1.

Table 9-3-2 Timer B1 Registers

| Name | Abbrev. | R/W | Initial Value | Address |
|------------------------|---------|-----|---------------|---------|
| Timer mode register B1 | TMB1 | R/W | H'78 | H'FFB2 |
| Timer counter B1 | TCB1 | R | H'00 | H'FFB3 |
| Timer load register B1 | TLB1 | W | H'00 | H'FFB3 |

9.3.2 Register Descriptions

1. Timer mode register B1 (TMB1)

| | | | | | | | | |
|---------------|-------|---|---|---|---|-------|-------|-------|
| Bit | 7 | 6 | 5 | 4 | 3 | 2 | 1 | 0 |
| | TMB17 | — | — | — | — | TMB12 | TMB11 | TMB10 |
| Initial value | 0 | 1 | 1 | 1 | 1 | 0 | 0 | 0 |
| Read/Write | R/W | — | — | — | — | R/W | R/W | R/W |

TMB1 is an 8-bit read/write register for selecting the auto-reload function and input clock.

Upon reset, TMB1 is initialized to H'78.

Bit 7: Auto-reload function select (TMB17)

Bit 7 selects whether timer B1 is used as an interval timer or auto-reload timer.

Bit 7

| TMB17 | Description |
|-------|--|
| 0 | Interval timer function selected (initial value) |
| 1 | Auto-reload function selected |

Bits 6 to 3: Reserved bits

Bits 6 to 3 are reserved; they are always read as 1, and cannot be modified.

Bits 2 to 0: Clock select (TMB12 to TMB10)

Bits 2 to 0 select the clock input to TCB1. For external event counting, either the rising or falling edge can be selected.

| Bit 2 TMB12 | Bit 1 TMB11 | Bit 0 TMB10 | Description |
|----------------|----------------|----------------|--|
| 0 | 0 | 0 | Internal clock: $\phi/8192$ (initial value) |
| 0 | 0 | 1 | Internal clock: $\phi/2048$ |
| 0 | 1 | 0 | Internal clock: $\phi/512$ |
| 0 | 1 | 1 | Internal clock: $\phi/256$ |
| 1 | 0 | 0 | Internal clock: $\phi/64$ |
| 1 | 0 | 1 | Internal clock: $\phi/16$ |
| 1 | 1 | 0 | Internal clock: $\phi/4$ |
| 1 | 1 | 1 | External event (TMIB): rising or falling edge* |

Note: * The edge of the external event signal is selected by bit INTEG6 in interrupt edge select register 2 (IEGR2). See 3.3.2, Interrupt Control Registers, for details.

2. Timer counter B1 (TCB1)

| Bit | 7 | 6 | 5 | 4 | 3 | 2 | 1 | 0 |
|---------------|-------|-------|-------|-------|-------|-------|-------|-------|
| | TCB17 | TCB16 | TCB15 | TCB14 | TCB13 | TCB12 | TCB11 | TCB10 |
| Initial value | 0 | 0 | 0 | 0 | 0 | 0 | 0 | 0 |
| Read/Write | R | R | R | R | R | R | R | R |

TCB1 is an 8-bit read-only up-counter, which is incremented by internal clock or external event input. The clock source for input to this counter is selected by bits TMB12 to TMB10 in timer mode register B1 (TMB1). TCB1 values can be read by the CPU at any time.

When TCB1 overflows from H'FF to H'00 or to the value set in TLB1, the IRRTB1 bit in IRR1 is set to 1.

TCB1 is allocated to the same address as TLB1.

Upon reset, TCB1 is initialized to H'00.

3. Timer load register B1 (TLB1)

| Bit | 7 | 6 | 5 | 4 | 3 | 2 | 1 | 0 |
|---------------|-------|-------|-------|-------|-------|-------|-------|-------|
| | TLB17 | TLB16 | TLB15 | TLB14 | TLB13 | TLB12 | TLB11 | TLB10 |
| Initial value | 0 | 0 | 0 | 0 | 0 | 0 | 0 | 0 |
| Read/Write | W | W | W | W | W | W | W | W |

TLB1 is an 8-bit write-only register for setting the reload value of timer counter B1.

When a reload value is set in TLB1, the same value is loaded into timer counter B1 (TCB1) as well, and TCB1 starts counting up from that value. When TCB1 overflows during operation in auto-reload mode, the TLB1 value is loaded into TCB1. Accordingly, overflow periods can be set within the range of 1 to 256 input clocks.

The same address is allocated to TLB1 as to TCB1.

Upon reset, TLB1 is initialized to H'00.

9.3.3 Timer Operation

1. Interval timer operation

When bit TMB17 in timer mode register B1 (TMB1) is cleared to 0, timer B1 functions as an 8-bit interval timer.

Upon reset, TCB1 is cleared to H'00 and bit TMB17 is cleared to 0, so up-counting and interval timing resume immediately. The clock input to timer B1 is selected from seven internal clock signals output by prescaler S, or an external clock input at pin TMIB. The selection is made by bits TMB12 to TMB10 of TMB1.

After the count value in TCB1 reaches H'FF, the next clock signal input causes timer B1 to overflow, setting bit IRRTB1 to 1 in interrupt request register 1 (IRR1). If IENTB1 = 1 in interrupt enable register 1 (IENR1), a CPU interrupt is requested.*

At overflow, TCB1 returns to H'00 and starts counting up again.

During interval timer operation (TMB17 = 0), when a value is set in timer load register B1 (TLB1), the same value is set in TCB1.

Note: * For details on interrupts, see 3.3, Interrupts.

2. Auto-reload timer operation

Setting bit TMB17 in TMB1 to 1 causes timer B1 to function as an 8-bit auto-reload timer. When a reload value is set in TLB1, the same value is loaded into TCB1, becoming the value from which TCB1 starts its count.

After the count value in TCB1 reaches H'FF, the next clock signal input causes timer B1 to overflow. The TLB1 value is then loaded into TCB1, and the count continues from that value. The overflow period can be set within a range from 1 to 256 input clocks, depending on the TLB1 value.

The clock sources and interrupts in auto-reload mode are the same as in interval mode.

In auto-reload mode (TMB17 = 1), when a new value is set in TLB1, the TLB1 value is also set in TCB1.

3. Event counter operation

Timer B1 can operate as an event counter, counting rising or falling edges of an external event signal input at pin TMIB. External event counting is selected by setting bits TMB12 to TMB10 in timer mode register B1 to all 1s (111).

When timer B1 is used to count external event input, bit INTEN6 in IENR3 should be cleared to 0 to disable INT₆ interrupt requests.

9.3.4 Timer B1 Operation States

Table 9-3-3 summarizes the timer B1 operation states.

Table 9-3-3 Timer B1 Operation States

| Operation Mode | Reset | Active | Sleep | Watch | Sub-active | Sub-sleep | Standby |
|----------------|-------------|-----------|-----------|-----------|------------|-----------|----------|
| TCB1 | Interval | Reset | Functions | Functions | Halted | Halted | Halted |
| | Auto reload | Reset | Functions | Functions | Halted | Halted | Halted |
| TMB1 | Reset | Functions | Retained | Retained | Retained | Retained | Retained |

9.4 Timer B2

9.4.1 Overview

Timer B2 is an 8-bit timer that increments each time a clock pulse is input. This timer has two operation modes, interval and auto reload.

www.DataSheet4U.com

1. Features

Features of timer B2 are given below.

- Choice of seven internal clock sources ($\phi/2048$, $\phi/512$, $\phi/256$, $\phi/64$, $\phi/16$, $\phi/8$, $\phi/4$).
- An interrupt is requested when the counter overflows.

2. Block diagram

Figure 9-4-1 shows a block diagram of timer B2.

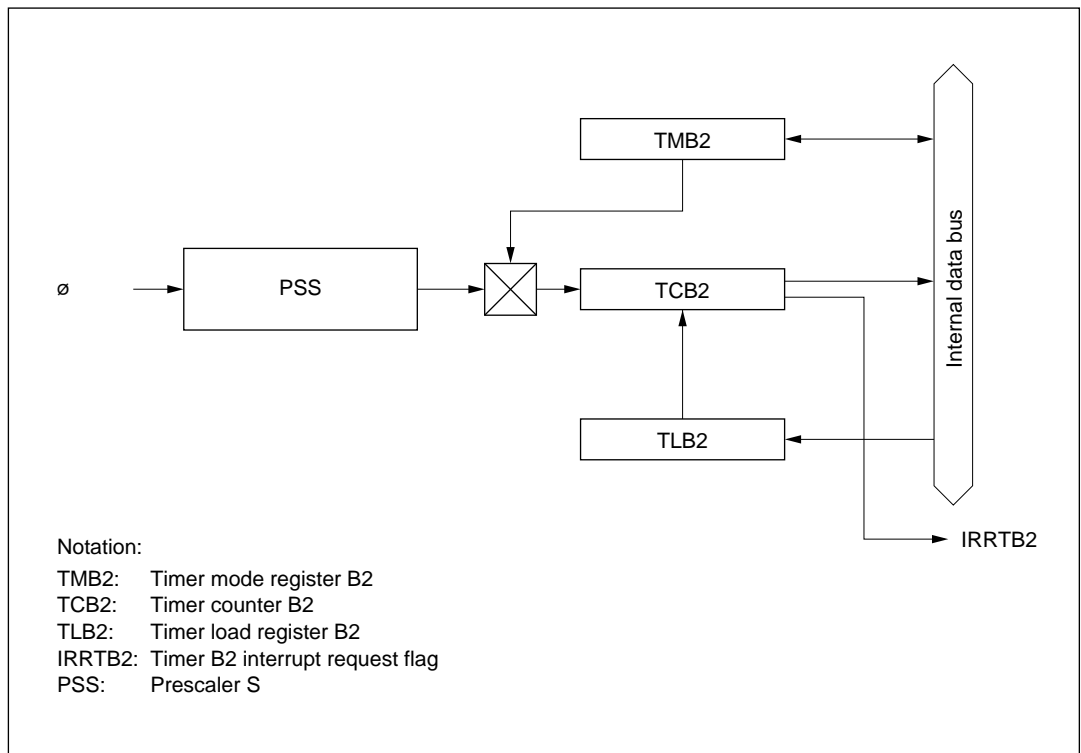


Figure 9-4-1 Block Diagram of Timer B2

3. Register configuration

Table 9-4-1 shows the register configuration of timer B2.

Table 9-4-1 Timer B2 Registers

| Name | Abbrev. | R/W | Initial Value | Address |
|------------------------|---------|-----|---------------|---------|
| Timer mode register B2 | TMB2 | R/W | H'78 | H'FFC2 |
| Timer counter B2 | TCB2 | R | H'00 | H'FFC3 |
| Timer load register B2 | TLB2 | W | H'00 | H'FFC3 |

9.4.2 Register Descriptions

1. Timer mode register B2 (TMB2)

| | | | | | | | | |
|---------------|-------|---|---|---|---|-------|-------|-------|
| Bit | 7 | 6 | 5 | 4 | 3 | 2 | 1 | 0 |
| | TMB27 | — | — | — | — | TMB22 | TMB21 | TMB20 |
| Initial value | 0 | 1 | 1 | 1 | 1 | 0 | 0 | 0 |
| Read/Write | R/W | — | — | — | — | R/W | R/W | R/W |

TMB2 is an 8-bit read/write register for selecting the auto-reload function and input clock.

Upon reset, TMB2 is initialized to H'78.

Bit 7: Auto-reload function select (TMB27)

Bit 7 selects whether timer B2 is used as an interval timer or auto-reload timer.

Bit 7

| TMB27 | Description |
|-------|--|
| 0 | Interval timer function selected (initial value) |
| 1 | Auto-reload function selected |

Bits 6 to 3: Reserved bits

Bits 6 to 3 are reserved; they are always read as 1, and cannot be modified.

Bits 2 to 0: Clock select (TMB22 to TMB20)

Bits 2 to 0 select the clock input to TCB2.

| Bit 2 TMB22 | Bit 1 TMB21 | Bit 0 TMB20 | Description |
|----------------|----------------|----------------|---|
| 0 | 0 | 0 | Internal clock: $\phi/2048$ (initial value) |
| 0 | 0 | 1 | Internal clock: $\phi/512$ |
| 0 | 1 | 0 | Internal clock: $\phi/256$ |
| 0 | 1 | 1 | Internal clock: $\phi/64$ |
| 1 | 0 | 0 | Internal clock: $\phi/16$ |
| 1 | 0 | 1 | Internal clock: $\phi/8$ |
| 1 | 1 | 0 | Internal clock: $\phi/4$ |
| 1 | 1 | 1 | Reserved |

2. Timer counter B2 (TCB2)

| Bit | 7 | 6 | 5 | 4 | 3 | 2 | 1 | 0 |
|---------------|-------|-------|-------|-------|-------|-------|-------|-------|
| | TCB27 | TCB26 | TCB25 | TCB24 | TCB23 | TCB22 | TCB21 | TCB20 |
| Initial value | 0 | 0 | 0 | 0 | 0 | 0 | 0 | 0 |
| Read/Write | R | R | R | R | R | R | R | R |

TCB2 is an 8-bit read-only up-counter, which is incremented by internal clock input. The clock source for input to this counter is selected by bits TMB22 to TMB20 in timer mode register B2 (TMB2). TCB2 values can be read by the CPU at any time.

When TCB2 overflows from H'FF to H'00 or to the value set in TLB2, the IRRTB2 bit in IRR2 is set to 1.

TCB2 is allocated to the same address as TLB2.

Upon reset, TCB2 is initialized to H'00.

3. Timer load register B2 (TLB2)

| Bit | 7 | 6 | 5 | 4 | 3 | 2 | 1 | 0 |
|---------------|-------|-------|-------|-------|-------|-------|-------|-------|
| | TLB27 | TLB26 | TLB25 | TLB24 | TLB23 | TLB22 | TLB21 | TLB20 |
| Initial value | 0 | 0 | 0 | 0 | 0 | 0 | 0 | 0 |
| Read/Write | W | W | W | W | W | W | W | W |

TLB2 is an 8-bit write-only register for setting the reload value of timer counter B2.

When a reload value is set in TLB2, the same value is loaded into timer counter B2 (TCB2) as well, and TCB2 starts counting up from that value. When TCB2 overflows during operation in auto-reload mode, the TLB2 value is loaded into TCB2. Accordingly, overflow periods can be set within the range of 1 to 256 input clocks.

The same address is allocated to TLB2 as to TCB2.

Upon reset, TLB2 is initialized to H'00.

9.4.3 Timer Operation

1. Interval timer operation

When bit TMB27 in timer mode register B2 (TMB2) is cleared to 0, timer B2 functions as an 8-bit interval timer.

Upon reset, TCB2 is cleared to H'00 and bit TMB27 is cleared to 0, so up-counting and interval timing resume immediately. The clock input to timer B2 is selected from seven internal clock signals output by prescaler S. The selection is made by bits TMB22 to TMB20 of TMB2.

After the count value in TCB2 reaches H'FF, the next clock signal input causes timer B2 to overflow, setting bit IRRTB2 to 1 in interrupt request register 2 (IRR2). If IENTB2 = 1 in interrupt enable register 2 (IENR2), a CPU interrupt is requested.*

At overflow, TCB2 returns to H'00 and starts counting up again.

During interval timer operation (TMB27 = 0), when a value is set in timer load register B2 (TLB2), the same value is set in TCB2.

Note: * For details on interrupts, see 3.3, Interrupts.

2. Auto-reload timer operation

Setting bit TMB27 in TMB2 to 1 causes timer B2 to function as an 8-bit auto-reload timer. When a reload value is set in TLB2, the same value is loaded into TCB2, becoming the value from which TCB2 starts its count.

After the count value in TCB2 reaches H'FF, the next clock signal input causes timer B2 to overflow. The TLB2 value is then loaded into TCB2, and the count continues from that value. The overflow period can be set within a range from 1 to 256 input clocks, depending on the TLB2 value.

The clock sources and interrupts in auto-reload mode are the same as in interval mode.

In auto-reload mode (TMB27 = 1), when a new value is set in TLB2, the TLB2 value is also set in TCB2.

9.4.4 Timer B2 Operation States

Table 9-4-2 summarizes the timer B2 operation states.

Table 9-4-2 Timer B2 Operation States

| Operation Mode | Reset | Active | Sleep | Watch | Sub-active | Sub-sleep | Standby | |
|-----------------------|--------------|---------------|--------------|--------------|-------------------|------------------|----------------|--------|
| TCB2 | Interval | Reset | Functions | Functions | Halted | Halted | Halted | Halted |
| | Auto reload | Reset | Functions | Functions | Halted | Halted | Halted | Halted |
| TMB2 | Reset | Functions | Retained | Retained | Retained | Retained | Retained | |

9.5 Timer B3

9.5.1 Overview

Timer B3 is an 8-bit timer that increments each time a clock pulse is input. This timer has two operation modes, interval and auto reload.

www.DataSheet4U.com

1. Features

Features of timer B3 are given below.

- Choice of seven internal clock sources ($\phi/2048$, $\phi/512$, $\phi/256$, $\phi/64$, $\phi/16$, $\phi/8$, $\phi/4$).
- An interrupt is requested when the counter overflows.

2. Block diagram

Figure 9-5-1 shows a block diagram of timer B3.

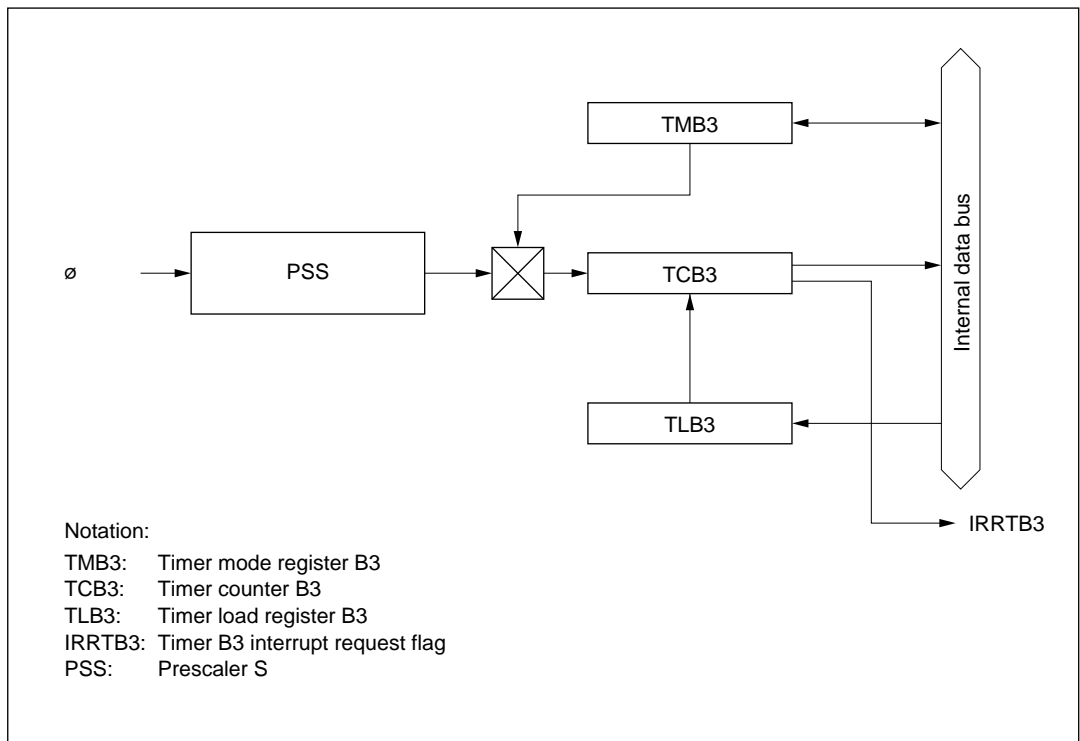


Figure 9-5-1 Block Diagram of Timer B3

3. Register configuration

Table 9-5-1 shows the register configuration of timer B3.

Table 9-5-1 Timer B3 Registers

| Name | Abbrev. | R/W | Initial Value | Address |
|------------------------|---------|-----|---------------|---------|
| Timer mode register B3 | TMB3 | R/W | H'78 | H'FFE2 |
| Timer counter B3 | TCB3 | R | H'00 | H'FFE3 |
| Timer load register B3 | TLB3 | W | H'00 | H'FFE3 |

9.5.2 Register Descriptions

1. Timer mode register B3 (TMB3)

| Bit | 7 | 6 | 5 | 4 | 3 | 2 | 1 | 0 |
|---------------|-------|---|---|---|---|-------|-------|-------|
| | TMB37 | — | — | — | — | TMB32 | TMB31 | TMB30 |
| Initial value | 0 | 1 | 1 | 1 | 1 | 0 | 0 | 0 |
| Read/Write | R/W | — | — | — | — | R/W | R/W | R/W |

TMB3 is an 8-bit read/write register for selecting the auto-reload function and input clock.

Upon reset, TMB3 is initialized to H'78.

Bit 7: Auto-reload function select (TMB37)

Bit 7 selects whether timer B3 is used as an interval timer or auto-reload timer.

Bit 7

| TMB37 | Description |
|-------|--|
| 0 | Interval timer function selected (initial value) |
| 1 | Auto-reload function selected |

Bits 6 to 3: Reserved bits

Bits 6 to 3 are reserved; they are always read as 1, and cannot be modified.

Bits 2 to 0: Clock select (TMB32 to TMB30)

Bits 2 to 0 select the clock input to TCB3.

| Bit 2 TMB32 | Bit 1 TMB31 | Bit 0 TMB30 | Description |
|----------------|----------------|----------------|---|
| 0 | 0 | 0 | Internal clock: $\phi/2048$ (initial value) |
| 0 | 0 | 1 | Internal clock: $\phi/512$ |
| 0 | 1 | 0 | Internal clock: $\phi/256$ |
| 0 | 1 | 1 | Internal clock: $\phi/64$ |
| 1 | 0 | 0 | Internal clock: $\phi/16$ |
| 1 | 0 | 1 | Internal clock: $\phi/8$ |
| 1 | 1 | 0 | Internal clock: $\phi/4$ |
| 1 | 1 | 1 | Reserved |

2. Timer counter B3 (TCB3)

| Bit | 7 | 6 | 5 | 4 | 3 | 2 | 1 | 0 |
|---------------|-------|-------|-------|-------|-------|-------|-------|-------|
| | TCB37 | TCB36 | TCB35 | TCB34 | TCB33 | TCB32 | TCB31 | TCB30 |
| Initial value | 0 | 0 | 0 | 0 | 0 | 0 | 0 | 0 |
| Read/Write | R | R | R | R | R | R | R | R |

TCB3 is an 8-bit read-only up-counter, which is incremented by internal clock or external event input. The clock source for input to this counter is selected by bits TMB32 to TMB30 in timer mode register B3 (TMB3). TCB3 values can be read by the CPU at any time.

When TCB3 overflows from H'FF to H'00 or to the value set in TLB3, the IRRTB3 bit in IRR2 is set to 1.

TCB3 is allocated to the same address as TLB3.

Upon reset, TCB3 is initialized to H'00.

3. Timer load register B3 (TLB3)

| Bit | 7 | 6 | 5 | 4 | 3 | 2 | 1 | 0 |
|---------------|-------|-------|-------|-------|-------|-------|-------|-------|
| | TLB37 | TLB36 | TLB35 | TLB34 | TLB33 | TLB32 | TLB31 | TLB30 |
| Initial value | 0 | 0 | 0 | 0 | 0 | 0 | 0 | 0 |
| Read/Write | W | W | W | W | W | W | W | W |

TLB3 is an 8-bit write-only register for setting the reload value of timer counter B3.

When a reload value is set in TLB3, the same value is loaded into timer counter B3 (TCB3) as well, and TCB3 starts counting up from that value. When TCB3 overflows during operation in auto-reload mode, the TLB3 value is loaded into TCB3. Accordingly, overflow periods can be set within the range of 1 to 256 input clocks.

The same address is allocated to TLB3 as to TCB3.

Upon reset, TLB3 is initialized to H'00.

9.5.3 Timer Operation

1. Interval timer operation

When bit TMB37 in timer mode register B3 (TMB3) is cleared to 0, timer B3 functions as an 8-bit interval timer.

Upon reset, TCB3 is cleared to H'00 and bit TMB37 is cleared to 0, so up-counting and interval timing resume immediately. The clock input to timer B3 is selected from eight internal clock signals output by prescaler S. The selection is made by bits TMB32 to TMB30 of TMB3.

After the count value in TCB3 reaches H'FF, the next clock signal input causes timer B3 to overflow, setting bit IRRTB3 to 1 in interrupt request register 2 (IRR2). If IENTB3 = 1 in interrupt enable register 2 (IENR2), a CPU interrupt is requested.*

At overflow, TCB3 returns to H'00 and starts counting up again.

During interval timer operation (TMB37 = 0), when a value is set in timer load register B3 (TLB3), the same value is set in TCB3.

Note: * For details on interrupts, see 3.3, Interrupts.

2. Auto-reload timer operation

Setting bit TMB37 in TMB3 to 1 causes timer B3 to function as an 8-bit auto-reload timer. When a reload value is set in TLB3, the same value is loaded into TCB3, becoming the value from which TCB3 starts its count.

After the count value in TCB3 reaches H'FF, the next clock signal input causes timer B3 to overflow. The TLB3 value is then loaded into TCB3, and the count continues from that value. The overflow period can be set within a range from 1 to 256 input clocks, depending on the TLB3 value.

The clock sources and interrupts in auto-reload mode are the same as in interval mode.

In auto-reload mode (TMB37 = 1), when a new value is set in TLB3, the TLB3 value is also set in TCB3.

9.5.4 Timer B3 Operation States

Table 9-5-2 summarizes the timer B3 operation states.

Table 9-5-2 Timer B3 Operation States

| Operation Mode | | Reset | Active | Sleep | Watch | Sub-active | Sub-sleep | Standby |
|-----------------------|-------------|--------------|---------------|--------------|--------------|-------------------|------------------|----------------|
| TCB3 | Interval | Reset | Functions | Functions | Halted | Halted | Halted | Halted |
| | Auto reload | Reset | Functions | Functions | Halted | Halted | Halted | Halted |
| TMB3 | | Reset | Functions | Retained | Retained | Retained | Retained | Retained |

9.6 Timer C

9.6.1 Overview

Timer C is an 8-bit timer that increments or decrements each time a clock pulse is input. This timer has two operation modes, interval and auto reload.

www.DataSheet4U.com

1. Features

The main features of timer C are given below.

- Choice of seven internal clock sources ($\phi/8192$, $\phi/2048$, $\phi/512$, $\phi/64$, $\phi/16$, $\phi/4$, $\phi_W/4$) or an external clock (can be used to count external events).
- An interrupt is requested when the counter overflows.
- Can be switched between up- and down-counting by software or hardware.
- When $\phi_W/4$ is selected as the internal clock source, or when an external clock is selected, timer C can function in subtractive mode and subsleep mode.

2. Block diagram

Figure 9-6-1 shows a block diagram of timer C.

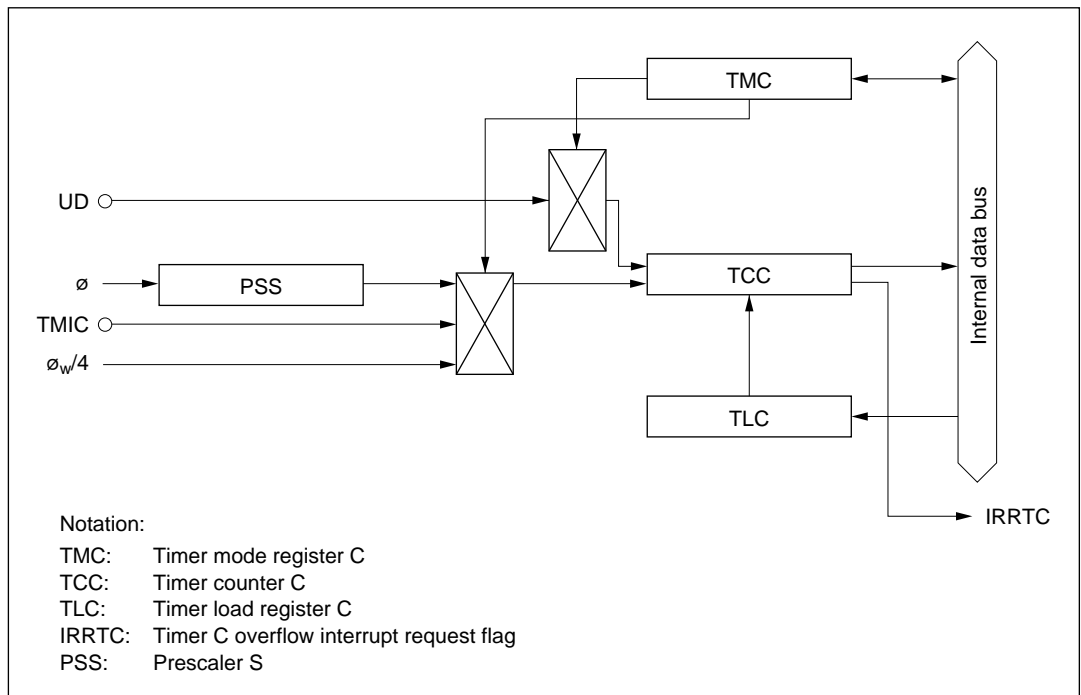


Figure 9-6-1 Block Diagram of Timer C

3. Pin configuration

Table 9-6-1 shows the timer C pin configuration.

Table 9-6-1 Pin Configuration

| Name | Abbrev. | I/O | Function |
|-------------------------|---------|-------|---------------------------------|
| Timer C event input | TMIC | Input | Event input to TCC |
| Timer C up/down control | UD | Input | Selection of counting direction |

4. Register configuration

Table 9-6-2 shows the register configuration of timer C.

Table 9-6-2 Timer C Registers

| Name | Abbrev. | R/W | Initial Value | Address |
|-----------------------|---------|-----|---------------|---------|
| Timer mode register C | TMC | R/W | H'18 | H'FFB4 |
| Timer counter C | TCC | R | H'00 | H'FFB5 |
| Timer load register C | TLC | W | H'00 | H'FFB5 |

9.6.2 Register Descriptions

1. Timer mode register C (TMC)

| | | | | | | | | |
|---------------|------|------|------|---|---|------|------|------|
| Bit | 7 | 6 | 5 | 4 | 3 | 2 | 1 | 0 |
| | TMC7 | TMC6 | TMC5 | — | — | TMC2 | TMC1 | TMC0 |
| Initial value | 0 | 0 | 0 | 1 | 1 | 0 | 0 | 0 |
| Read/Write | R/W | R/W | R/W | — | — | R/W | R/W | R/W |

TMC is an 8-bit read/write register for selecting the auto-reload function, counting direction, and input clock.

Upon reset, TMC is initialized to H'18.

Bit 7: Auto-reload function select (TMC7)

Bit 7 selects whether timer C is used as an interval timer or auto-reload timer.

| Bit 7 TMC7 | Description | |
|---------------|----------------------------------|-----------------|
| 0 | Interval timer function selected | (initial value) |
| 1 | Auto-reload function selected | |

Bits 6 and 5: Counter up/down control (TMC6 and TMC5)

These bits select the counting direction of timer counter C (TCC), or allow hardware to control the counting direction using pin UD.

| Bit 6 TMC6 | Bit 5 TMC5 | Description | |
|---------------|---------------|---|-----------------|
| 0 | 0 | TCC is an up-counter | (initial value) |
| 0 | 1 | TCC is a down-counter | |
| 1 | * | TCC up/down control is determined by input at pin UD. TCC is a down-counter if the UD input is high, and an up-counter if the UD input is low | |

Note: * Don't care

Bits 4 and 3: Reserved bits

Bits 4 and 3 are reserved; they are always read as 1, and cannot be modified.

Bits 2 to 0: Clock select (TMC2 to TMC0)

Bits 2 to 0 select the clock input to TCC. For external clock counting, either the rising or falling edge can be selected.

| Bit 2 TMC2 | Bit 1 TMC1 | Bit 0 TMC0 | Description | |
|---------------|---------------|---------------|--|-----------------|
| 0 | 0 | 0 | Internal clock: $\phi/8192$ | (initial value) |
| 0 | 0 | 1 | Internal clock: $\phi/2048$ | |
| 0 | 1 | 0 | Internal clock: $\phi/512$ | |
| 0 | 1 | 1 | Internal clock: $\phi/64$ | |
| 1 | 0 | 0 | Internal clock: $\phi/16$ | |
| 1 | 0 | 1 | Internal clock: $\phi/4$ | |
| 1 | 1 | 0 | Internal clock: $\phi_W/4$ | |
| 1 | 1 | 1 | External event (TMIC): rising or falling edge* | |

Note: * The edge of the external event signal is selected by bit TCICEG in port mode register 1 (PMR1). For details, see 8.2.2 (4), Port Mode Register 1 (PMR1).

2. Timer counter C (TCC)

| Bit | 7 | 6 | 5 | 4 | 3 | 2 | 1 | 0 |
|---------------|------|------|------|------|------|------|------|------|
| | TCC7 | TCC6 | TCC5 | TCC4 | TCC3 | TCC2 | TCC1 | TCC0 |
| Initial value | 0 | 0 | 0 | 0 | 0 | 0 | 0 | 0 |
| Read/Write | R | R | R | R | R | R | R | R |

TCC is an 8-bit read-only up-/down-counter, which is incremented or decremented by internal clock or external event input. The clock source for input to this counter is selected by bits TMC2 to TMC0 in timer mode register C (TMC). TCC values can be read by the CPU at any time.

When TCC overflows (from H'FF to H'00 or to the value set in TLC) or underflows (from H'00 to H'FF or to the value set in TLC), the IRRTC bit in interrupt request register 2 (IRR2) is set to 1.

TCC is allocated to the same address as timer load register C (TLC).

Upon reset, TCC is initialized to H'00.

3. Timer load register C (TLC)

| Bit | 7 | 6 | 5 | 4 | 3 | 2 | 1 | 0 |
|---------------|------|------|------|------|------|------|------|------|
| | TLC7 | TLC6 | TLC5 | TLC4 | TLC3 | TLC2 | TLC1 | TLC0 |
| Initial value | 0 | 0 | 0 | 0 | 0 | 0 | 0 | 0 |
| Read/Write | W | W | W | W | W | W | W | W |

TLC is an 8-bit write-only register for setting the reload value of TCC.

When a reload value is set in TLC, the same value is loaded into timer counter C (TCC) as well, and TCC starts counting up or down from that value. When TCC overflows or underflows during operation in auto-reload mode, the TLC value is loaded into TCC. Accordingly, overflow and underflow periods can be set within the range of 1 to 256 input clocks.

The same address is allocated to TLC as to TCC.

Upon reset, TLC is initialized to H'00.

9.6.3 Timer Operation

1. Interval timer operation

When bit TMC7 in timer mode register C (TMC) is cleared to 0, timer C functions as an 8-bit interval timer.

www.DataSheet4U.com

Upon reset, timer counter C (TCC) is initialized to H'00 and TMC to H'18, so counting and interval timing resume immediately. The clock input to timer C is selected from seven internal clock signals output by prescalers S and W, or an external clock input at pin TMIC. The selection is made by bits TMC2 to TMC0 in TMC.

Either software or hardware can control whether TCC counts up or down. The selection is made by TMC bits TMC6 and TMC5.

After the count value in TCC reaches H'FF (H'00), the next clock signal input causes timer C to overflow (underflow), setting bit IRRTC to 1 in interrupt request register 2 (IRR2). If IENTC = 1 in interrupt enable register 2 (IENR2), a CPU interrupt is requested.*

At overflow or underflow, TCC returns to H'00 or H'FF and starts counting up or down again.

During interval timer operation (TMC7 = 0), when a value is set in timer load register C (TLC), the same value is set in TCC.

Note: * For details on interrupts, see 3.3, Interrupts.

2. Auto-reload timer operation

Setting bit TMC7 in TMC to 1 causes timer C to function as an 8-bit auto-reload timer. When a reload value is set in TLC, the same value is loaded into TCC, becoming the value from which TCC starts its count.

After the count value in TCC reaches H'FF (H'00), the next clock signal input causes timer C to overflow (underflow). The TLC value is then loaded into TCC, and the count continues from that value. The overflow (underflow) period can be set within a range from 1 to 256 input clocks, depending on the TLC value.

The clock sources, up/down control, and interrupts in auto-reload mode are the same as in interval mode.

In auto-reload mode (TMC7 = 1), when a new value is set in TLC, the TLC value is also set in TCC.

3. Event counter operation

Timer C can operate as an event counter, counting an event signal input at pin TMIC. External event counting is selected by setting TMC bits TMC2 to TMC0 to all 1s (111). TCC counts up or down at the rising or falling edge of the input at pin TMIC.

4. ν TCC up/down control by hardware

The counting direction of timer C can be controlled by input at pin UD. When bit TMC6 in TMC is set to 1, high-level input at the UD pin selects down-counting, while low-level input selects up-counting.

When using input at pin UD for this control function, set the UD bit in port mode register 2 (PMR2) to 1.

9.6.4 Timer C Operation States

Table 9-6-3 summarizes the timer C operation states.

Table 9-6-3 Timer C Operation States

| Operation Mode | Reset | Active | Sleep | Watch | Sub-active | Sub-sleep | Standby |
|-----------------|-------|-----------|-----------|----------|-----------------------|-----------------------|----------|
| TCC Interval | Reset | Functions | Functions | Halted | Functions/ Halted* | Functions/ Halted* | Halted |
| TCC Auto reload | Reset | Functions | Functions | Halted | Functions/ Halted* | Functions/ Halted* | Halted |
| TMC | Reset | Functions | Retained | Retained | Functions | Retained | Retained |

Note: When $\phi_{W}/4$ is selected as the internal clock of TCC in active mode or sleep mode, the internal clock is not synchronous with the system clock, so it is synchronized by a synchronizing circuit. This may result in a maximum error of $1/\phi$ (s) in the count cycle.

* When timer C is operated in subactive mode or subsleep mode, either an external clock or the $\phi_{W}/4$ internal clock must be selected. The counter will not operate in these modes if another clock is selected. If the internal $\phi_{W}/4$ clock is selected when $\phi_{W}/8$ is being used as the subclock ϕ_{SUB} , the lower 2 bits of the counter will operate on the same cycle, with the least significant bit not being counted.

9.7 Timer E

9.7.1 Overview

Timer E is an 8-bit timer that increments each time a clock pulse is input. This timer has two operation modes, interval and auto reload. It can also output a square wave with a 50% duty cycle, using either its overflow signal or a signal from prescaler S.

1. Features

Features of timer E are given below.

- Choice of eight internal clock sources ($\phi/8192$, $\phi/4096$, $\phi/2048$, $\phi/512$, $\phi/256$, $\phi/128$, $\phi/32$, $\phi/8$).
- An interrupt is requested when the counter overflows.
- Output of a square wave with 50% duty cycle and fixed frequency, given by the prescaler
1.95 kHz or 3.9 kHz when $\phi = 4$ MHz
0.98 kHz or 1.95 kHz when $\phi = 2$ MHz
- Output of a square wave with 50% duty cycle and arbitrary frequency, using the overflow signal

2. Block diagram

Figure 9-7-1 shows a block diagram of timer E.

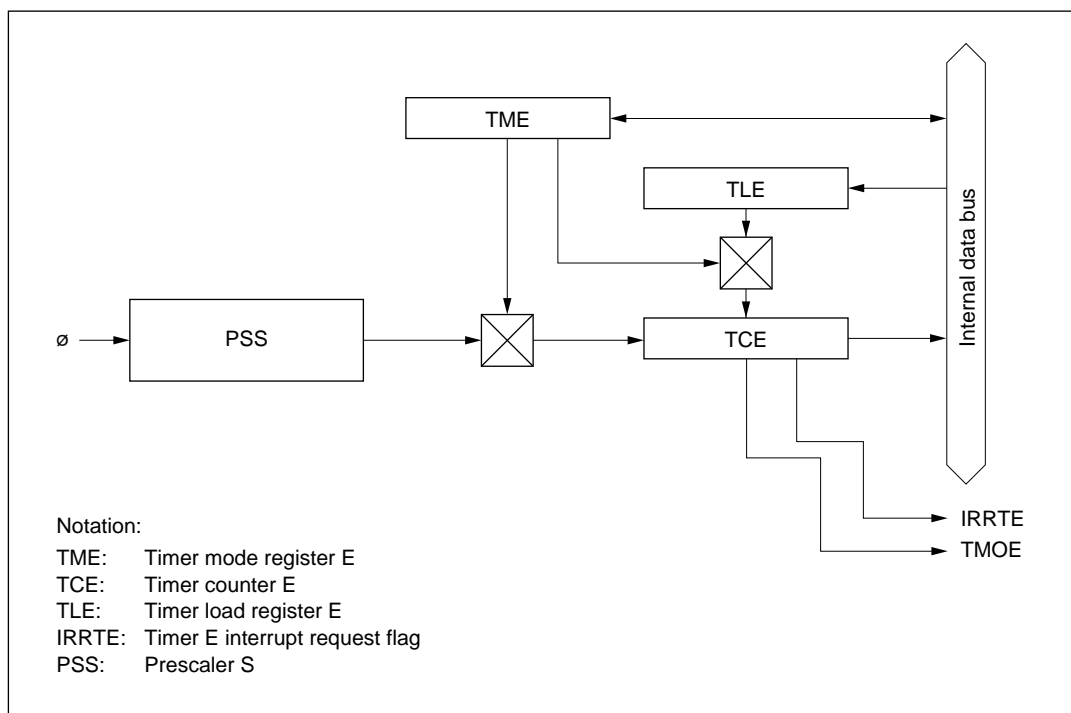


Figure 9-7-1 Block Diagram of Timer E

3. Pin configuration

Table 9-7-1 shows the timer E pin configuration.

Table 9-7-1 Pin Configuration

| Name | Abbrev. | I/O | Function |
|----------------|---------|--------|-------------------------|
| Timer E output | TMOE | Output | Timer E waveform output |

4. Register configuration

Table 9-7-2 shows the register configuration of timer E.

Table 9-7-2 Timer E Registers

| Name | Abbrev. | R/W | Initial Value | Address |
|-----------------------|---------|-----|---------------|---------|
| Timer mode register E | TME | R/W | H'08 | H'FFB6 |
| Timer counter E | TCE | R | H'00 | H'FFB7 |
| Timer load register E | TLE | W | H'00 | H'FFB7 |

9.7.2 Register Descriptions

1. Timer mode register E (TME)

| Bit | 7 | 6 | 5 | 4 | 3 | 2 | 1 | 0 |
|---------------|------|--------|------|------|---|------|------|------|
| | TME7 | TMOEON | FREQ | VRFR | — | TME2 | TME1 | TME0 |
| Initial value | 0 | 0 | 0 | 0 | 1 | 0 | 0 | 0 |
| Read/Write | R/W | R/W | R/W | R/W | — | R/W | R/W | R/W |

TME is an 8-bit read/write register for selecting the auto-reload function and input clock.

Upon reset, TME is initialized to H'08.

Bit 7: Auto-reload function select (TME7)

Bit 7 selects whether timer E is used as an interval timer or auto-reload timer.

Bit 7

| TME7 | Description |
|------|--|
| 0 | Interval timer function selected (initial value) |
| 1 | Auto-reload function selected |

Bit 6: Timer E output on/off (TMOEON)

Bit 5: Fixed frequency select (FREQ)

Bit 4: Variable frequency select (VRFR)

Output is controlled by the combination of bits TMOEON, FREQ, and VRFR.

| Bit 6 TMOEON | Bit 5 FREQ | Bit 4 VRFR | Description |
|-----------------|---------------|---------------|---|
| 0 | * | * | Low level output (initial value) |
| 1 | 0 | 0 | Fixed-frequency output ($\emptyset/2048$) 1.95 kHz ($\emptyset = 4$ MHz), 0.98 kHz ($\emptyset = 2$ MHz) |
| 1 | 1 | 0 | Fixed-frequency output ($\emptyset/1024$) 3.9 kHz ($\emptyset = 4$ MHz), 1.95 kHz ($\emptyset = 2$ MHz) |
| 1 | * | 1 | Variable-frequency output: toggles at timer E overflow |

Note: * Don't care

Bit 3: Reserved bit

Bit 3 is reserved; it is always read as 1, and cannot be modified.

Bits 2 to 0: Clock select (TME2 to TME0)

Bits 2 to 0 select the clock input to TCE.

| Bit 2 TME2 | Bit 1 TME1 | Bit 0 TME0 | Description |
|---------------|---------------|---------------|--|
| 0 | 0 | 0 | Internal clock: $\emptyset/8192$ (initial value) |
| 0 | 0 | 1 | Internal clock: $\emptyset/4096$ |
| 0 | 1 | 0 | Internal clock: $\emptyset/2048$ |
| 0 | 1 | 1 | Internal clock: $\emptyset/512$ |
| 1 | 0 | 0 | Internal clock: $\emptyset/256$ |
| 1 | 0 | 1 | Internal clock: $\emptyset/128$ |
| 1 | 1 | 0 | Internal clock: $\emptyset/32$ |
| 1 | 1 | 1 | Internal clock: $\emptyset/8$ |

2. Timer counter E (TCE)

| Bit | 7 | 6 | 5 | 4 | 3 | 2 | 1 | 0 |
|---------------|------|------|------|------|------|------|------|------|
| | TCE7 | TCE6 | TCE5 | TCE4 | TCE3 | TCE2 | TCE1 | TCE0 |
| Initial value | 0 | 0 | 0 | 0 | 0 | 0 | 0 | 0 |
| Read/Write | R | R | R | R | R | R | R | R |

TCE is an 8-bit read-only up-counter, which is incremented by internal clock input. The clock source for input to this counter is selected by bits TME2 to TME0 in timer mode register E (TME). TCE values can be read by the CPU at any time.

When TCE overflows from H'FF to H'00 or to the value set in TLE, the IRRTE bit in IRR2 is set to 1.

TCE is allocated to the same address as TLE.

Upon reset, TCE is initialized to H'00.

3. Timer load register E (TLE)

| Bit | 7 | 6 | 5 | 4 | 3 | 2 | 1 | 0 |
|---------------|------|------|------|------|------|------|------|------|
| | TLE7 | TLE6 | TLE5 | TLE4 | TLE3 | TLE2 | TLE1 | TLE0 |
| Initial value | 0 | 0 | 0 | 0 | 0 | 0 | 0 | 0 |
| Read/Write | W | W | W | W | W | W | W | W |

TLE is an 8-bit write only register for setting the reload value of timer counter E.

When a reload value is set in TLE, the same value is loaded into timer counter E (TCE) as well, and TCE starts counting up from that value. When TCE overflows during operation in auto-reload mode, the TLE value is loaded into TCE. Accordingly, overflow periods can be set within the range of 1 to 256 input clocks.

The same address is allocated to TLE as to TCE.

Upon reset, TLE is initialized to H'00.

9.7.3 Timer Operation

1. Interval timer operation

When bit TME7 in timer mode register E (TME) is cleared to 0, timer E functions as an 8-bit interval timer.

www.DataSheet4U.com

Upon reset, TCE is cleared to H'00 and bit TME7 is cleared to 0, so up-counting and interval timing resume immediately. The clock input to timer E is selected from eight internal clock signals output by prescaler S. The selection is made by bits TME2 to TME0 of TME.

After the count value in TCE reaches H'FF, the next clock signal input causes timer E to overflow, setting bit IRRTE to 1 in interrupt request register 2 (IRR2). If IENTE = 1 in interrupt enable register 2 (IENR2), a CPU interrupt is requested.*

At overflow, TCE returns to H'00 and starts counting up again.

During interval timer operation (TME7 = 0), when a value is set in timer load register E (TLE), the same value is set in TCE.

Note: * For details on interrupts, see 3.3, Interrupts.

2. Auto-reload timer operation

Setting bit TME7 in TME to 1 causes timer E to function as an 8-bit auto-reload timer. When a reload value is set in TLE, the same value is loaded into TCE, becoming the value from which TCE starts its count.

After the count value in TCE reaches H'FF, the next clock signal input causes timer E to overflow. The TLE value is then loaded into TCE, and the count continues from that value. The overflow period can be set within a range from 1 to 256 input clocks, depending on the TLE value.

The clock sources and interrupts in auto-reload mode are the same as in interval mode.

In auto-reload mode (TME7 = 1), when a new value is set in TLE, the TLE value is also set in TCE.

3. Square-wave output

Depending on TME settings, a square wave with 50% duty cycle can be output from the TMOE pin.

When the VRFR bit is cleared to 0 in TME, the output waveform has a fixed frequency selected by the FREQ bit. For the output frequencies, see 9.7.2 (1), Timer mode register E (TME).

www.DataSheet4U.com

When VRFR is set to 1, the output toggles between the high and low levels each time timer E overflows. (See figure 9-7-2.) The output waveform can have any frequency in the ranges shown in table 9-7-3. The frequency is controlled by the overflow period selected by TLE when timer E operates in auto-reload mode (TME7 = 1), and by the clock source selected by bits TME2 to TME0.

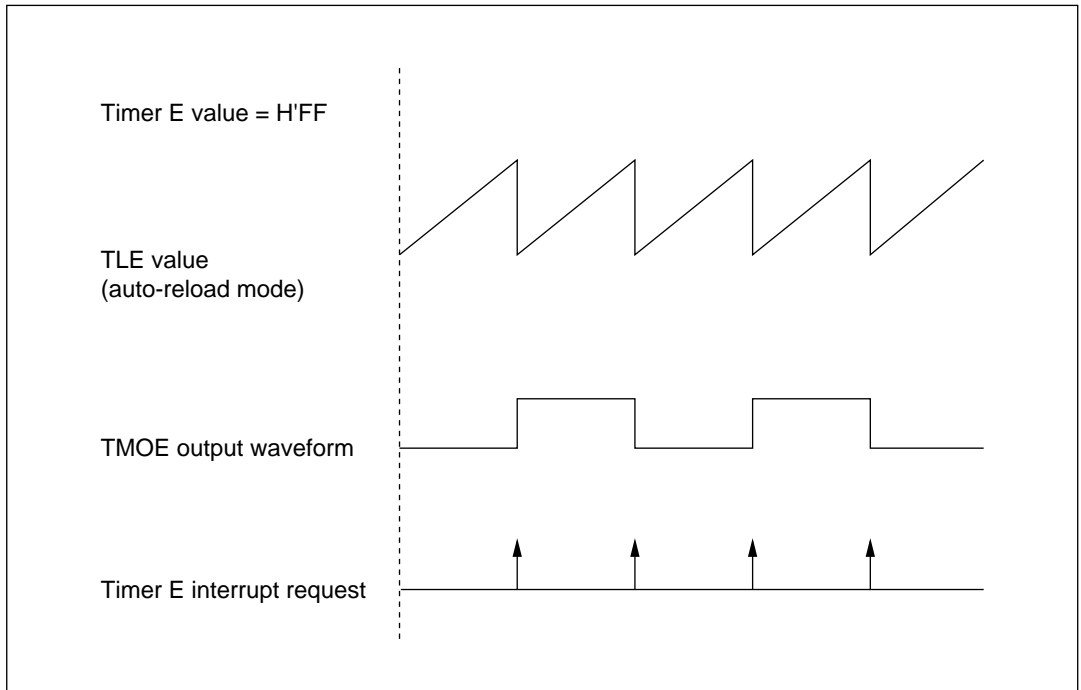


Figure 9-7-2 Waveform Output by Timer E Overflow

Table 9-7-3 Frequency of Waveforms Output by Timer E Overflow

| Output Waveform ($\phi = 2$ MHz) | | | | | |
|-----------------------------------|-------------|------------------|----|------------------------------------|------------------|
| 1 Count (TLE = H'FF) \times 2 | | | to | 256 Counts (TLE = H'00) \times 2 | |
| Internal Clock | Count Time | Output Frequency | | Count Time | Output Frequency |
| $\phi/8$ (250 kHz) | 8 μ s | 125 kHz | to | 2024 μ s | 488.3 Hz |
| $\phi/32$ (62.5 kHz) | 32 μ s | 31.25 kHz | to | 8192 μ s | 122.1 Hz |
| $\phi/128$ (15.62 kHz) | 128 μ s | 7.8125 kHz | to | 32.768 ms | 30.5 Hz |
| $\phi/256$ (7.8125 kHz) | 256 μ s | 3.9063 kHz | to | 65.536 ms | 15.3 Hz |
| $\phi/512$ (3.9062 kHz) | 512 μ s | 1.9531 kHz | to | 131.072 ms | 7.63 Hz |
| $\phi/2048$ (976.5 Hz) | 2.048 ms | 488.3 Hz | to | 524.288 ms | 1.91 Hz |
| $\phi/4096$ (488.2 Hz) | 4.096 ms | 244.1 Hz | to | 1048.576 ms | 0.95 Hz |
| $\phi/8192$ (244.1 Hz) | 8.192 ms | 122.1 Hz | to | 2097.152 ms | 0.477 Hz |

| Output Waveform ($\phi = 4$ MHz) | | | | | |
|-----------------------------------|-------------|------------------|----|------------------------------------|------------------|
| 1 Count (TLE = H'FF) \times 2 | | | to | 256 Counts (TLE = H'00) \times 2 | |
| Internal Clock | Count Time | Output Frequency | | Count Time | Output Frequency |
| $\phi/8$ (500 kHz) | 4 μ s | 250 kHz | to | 1024 μ s | 976.6 Hz |
| $\phi/32$ (125 kHz) | 16 μ s | 62.5 kHz | to | 4096 μ s | 244.1 Hz |
| $\phi/128$ (31.25 kHz) | 64 μ s | 15.625 kHz | to | 16.348 ms | 61.0 Hz |
| $\phi/256$ (15.625 kHz) | 128 μ s | 7.8125 kHz | to | 32.768 ms | 30.5 Hz |
| $\phi/512$ (7.8125 kHz) | 256 μ s | 3.9063 kHz | to | 65.536 ms | 15.3 Hz |
| $\phi/2048$ (1.963 Hz) | 1.024 ms | 976.6 Hz | to | 262.144 ms | 3.8 Hz |
| $\phi/4096$ (976.52 Hz) | 2.048 ms | 488.3 Hz | to | 524.288 ms | 1.91 Hz |
| $\phi/8192$ (488.2 Hz) | 4.096 ms | 244.1 Hz | to | 1048.576 ms | 0.95 Hz |

9.7.4 Timer E Operation States

Table 9-7-4 summarizes the timer E operation states.

Table 9-7-4 Timer E Operation States

| Operation Mode | Reset | Active | Sleep | Watch | Sub-active | Sub-sleep | Standby |
|----------------|-------------|-----------|-----------|-----------|------------|-----------|----------|
| TCE | Interval | Reset | Functions | Functions | Halted | Halted | Halted |
| | Auto reload | Reset | Functions | Functions | Halted | Halted | Halted |
| TME | Reset | Functions | Functions | Retained | Retained | Retained | Retained |

9.8 Timer V

9.8.1 Overview

Timer V is an 8-bit timer based on an 8-bit counter. Timer V counts external events. Also compare match signals can be used to reset the counter, request an interrupt, or output a pulse signal with an arbitrary duty cycle. Counting can be initiated by a trigger input at the TRGV pin, enabling pulse output control to be synchronized to the trigger, with an arbitrary delay from the trigger input. The trigger input signal is shared with the realtime port.

1. Features

Features of timer V are given below.

- Choice of six internal clock sources ($\phi/128$, $\phi/64$, $\phi/32$, $\phi/16$, $\phi/8$, $\phi/4$) or an external clock (can be used as an external event counter).
- Counter can be cleared by compare match A or B, or by an external reset signal. If the trigger function is selected, the counter can be halted when cleared.
- Timer output is controlled by two independent compare match signals, enabling pulse output with an arbitrary duty cycle, PWM output, and other applications.
- Three interrupt sources: two compare match, one overflow
- Counting can be initiated by trigger input at the TRGV pin. The rising edge, falling edge, or both edges of the TRGV input can be selected.

2. Block diagram

Figure 9-8-1 shows a block diagram of timer V.

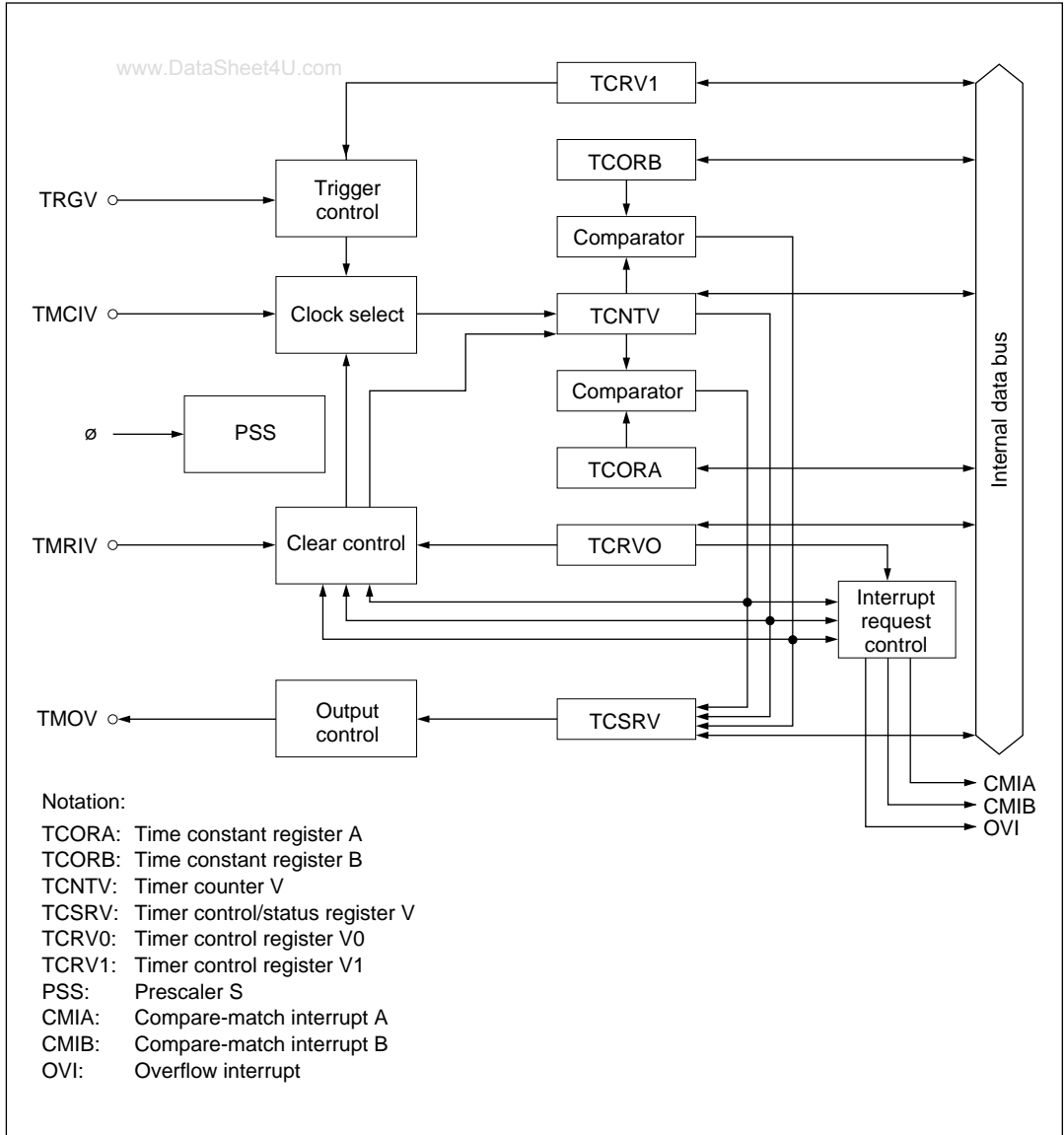


Figure 9-8-1 Block Diagram of Timer V

3. Pin configuration

Table 9-8-1 shows the timer V pin configuration.

Table 9-8-1 Pin Configuration

| Name | Abbrev. | I/O | Function |
|---------------------|----------------|------------|------------------------------------|
| Timer V output | TMOV | Output | Timer V waveform output |
| Timer V clock input | TMCIV | Input | Clock input to TCNTV |
| Timer V reset input | TMRIV | Input | External input to reset TCNTV |
| Trigger input | TRGV | Input | Trigger input to initiate counting |

4. Register configuration

Table 9-8-2 shows the register configuration of timer V.

Table 9-8-2 Timer V Registers

| Name | Abbrev. | R/W | Initial Value | Address |
|---------------------------------|----------------|------------|----------------------|----------------|
| Timer control register V0 | TCRV0 | R/W | H'00 | H'FFB8 |
| Timer control/status register V | TCSRv | R/(W)* | H'10 | H'FFB9 |
| Time constant register A | TCORA | R/W | H'FF | H'FFBA |
| Time constant register B | TCORB | R/W | H'FF | H'FFBB |
| Timer counter V | TCNTV | R/W | H'00 | H'FFBC |
| Timer control register V1 | TCRV1 | R/W | H'E2 | H'FFBD |

Note: * Bits 7 to 5 can only be written with 0, for flag clearing.

9.8.2 Register Descriptions

1. Timer counter V (TCNTV)

| Bit | 7 | 6 | 5 | 4 | 3 | 2 | 1 | 0 |
|---------------|--------------------|--------------------|--------------------|--------------------|--------------------|--------------------|--------------------|--------------------|
| | TCNTV ₇ | TCNTV ₆ | TCNTV ₅ | TCNTV ₄ | TCNTV ₃ | TCNTV ₂ | TCNTV ₁ | TCNTV ₀ |
| Initial value | 0 | 0 | 0 | 0 | 0 | 0 | 0 | 0 |
| Read/Write | R/W | R/W | R/W | R/W | R/W | R/W | R/W | R/W |

TCNTV is an 8-bit read/write up-counter which is incremented by internal or external clock input. The clock source is selected by bits CKS2 to CKS0 in TCRV0. The TCNTV value can be read and written by the CPU at any time. TCNTV can be cleared by an external reset signal, or by compare match A or B. The clearing signal is selected by bits CCLR1 and CCLR0 in TCRV0.

When TCNTV overflows from H'FF to H'00, OVF is set to 1 in TCSR.V.

TCNTV is initialized to H'00 upon reset and in standby mode, watch mode, subsleep mode, and subactive mode.

2. Time constant registers A and B (TCORA, TCORB)

| Bit | 7 | 6 | 5 | 4 | 3 | 2 | 1 | 0 |
|---------------|--------------------|--------------------|--------------------|--------------------|--------------------|--------------------|--------------------|--------------------|
| | TCORn ₇ | TCORn ₆ | TCORn ₅ | TCORn ₄ | TCORn ₃ | TCORn ₂ | TCORn ₁ | TCORn ₀ |
| Initial value | 1 | 1 | 1 | 1 | 1 | 1 | 1 | 1 |
| Read/Write | R/W | R/W | R/W | R/W | R/W | R/W | R/W | R/W |

n = A or B

TCORA and TCORB are 8-bit read/write registers.

TCORA and TCNTV are compared at all times, except during the T₃ state of a TCORA write cycle. When the TCORA and TCNTV contents match, CMFA is set to 1 in TCSR.V. If CMIEA is also set to 1 in TCRV0, a CPU interrupt is requested.

Timer output from the TMOV pin can be controlled by a signal resulting from compare match, according to the settings of bits OS3 to OS0 in TCSR.V.

TCORA is initialized to H'FF upon reset and in standby mode, watch mode, subsleep mode, and subactive mode.

TCORB is similar to TCORA.

3. Timer control register V0 (TCRV0)

| Bit | 7 | 6 | 5 | 4 | 3 | 2 | 1 | 0 |
|---------------|-------|-------|------|-------|-------|------|------|------|
| | CMIEB | CMIEA | OVIE | CCLR1 | CCLR0 | CKS2 | CKS1 | CKS0 |
| Initial value | 0 | 0 | 0 | 0 | 0 | 0 | 0 | 0 |
| Read/Write | R/W | R/W | R/W | R/W | R/W | R/W | R/W | R/W |

TCRV0 is an 8-bit read/write register that selects the TCNTV input clock, controls the clearing of TCNTV, and enables interrupts.

TCRV0 is initialized to H'00 upon reset and in standby mode, watch mode, subsleep mode, and subactive mode.

Bit 7: Compare match interrupt enable B (CMIEB)

Bit 7 enables or disables the interrupt request (CMIB) generated from CMFB when CMFB is set to 1 in TCSR.V.

Bit 7

| CMIEB | Description |
|-------|---|
| 0 | Interrupt request (CMIB) from CMFB disabled (initial value) |
| 1 | Interrupt request (CMIB) from CMFB enabled |

Bit 6: Compare match interrupt enable A (CMIEA)

Bit 6 enables or disables the interrupt request (CMIA) generated from CMFA when CMFA is set to 1 in TCSR.V.

Bit 6

| CMIEA | Description |
|-------|---|
| 0 | Interrupt request (CMIA) from CMFA disabled (initial value) |
| 1 | Interrupt request (CMIA) from CMFA enabled |

Bit 5: Timer overflow interrupt enable (OVIE)

Bit 5 enables or disables the interrupt request (OVI) generated from OVF when OVF is set to 1 in TCSR.V.

Bit 5

| OVIE | Description |
|------|---|
| 0 | Interrupt request (OVI) from OVF disabled (initial value) |
| 1 | Interrupt request (OVI) from OVF enabled |

Bits 4 and 3: Counter clear 1 and 0 (CCLR1, CCLR0)

Bits 4 and 3 specify whether or not to clear TCNTV, and select compare match A or B or an external reset input.

When clearing is specified, if TRGE is set to 1 in TCRV1, then when TCNTV is cleared it is also halted. Counting resumes when a trigger edge is input at the TRGV pin.

If TRGE is cleared to 0, after TCNTV is cleared it continues counting up.

| Bit 4 CCLR1 | Bit 3 CCLR0 | Description |
|----------------|----------------|--|
| 0 | 0 | Clearing is disabled (initial value) |
| 0 | 1 | Cleared by compare match A |
| 1 | 0 | Cleared by compare match B |
| 1 | 1 | Cleared by rising edge of external reset input |

Bits 2 to 0: Clock select 2 to 0 (CKS2 to CKS0)

Bits 2 to 0 and bit ICKS0 in TCRV1 select the clock input to TCNTV.

Six internal clock sources divided from the system clock (\emptyset) can be selected. The counter increments on the falling edge.

If the external clock is selected, there is a further selection of incrementing on the rising edge, falling edge, or both edges.

If TRGE is cleared to 0, after TCNTV is cleared it continues counting up.

| TCRV0 | | | TCRV1 | Description |
|---------------|---------------|---------------|----------------|--|
| Bit 2 CKS2 | Bit 1 CKS1 | Bit 0 CKS0 | Bit 0 ICKS0 | |
| 0 | 0 | 0 | — | Clock input disabled (initial value) |
| 0 | 0 | 1 | 0 | Internal clock: $\emptyset/4$, falling edge |
| 0 | 0 | 1 | 1 | Internal clock: $\emptyset/8$, falling edge |
| 0 | 1 | 0 | 0 | Internal clock: $\emptyset/16$, falling edge |
| 0 | 1 | 0 | 1 | Internal clock: $\emptyset/32$, falling edge |
| 0 | 1 | 1 | 0 | Internal clock: $\emptyset/64$, falling edge |
| 0 | 1 | 1 | 1 | Internal clock: $\emptyset/128$, falling edge |
| 1 | 0 | 0 | — | Clock input disabled |
| 1 | 0 | 1 | — | External clock: rising edge |
| 1 | 1 | 0 | — | External clock: falling edge |
| 1 | 1 | 1 | — | External clock: rising and falling edges |

4. Timer control/status register V (TCSR_V)

| Bit | 7 | 6 | 5 | 4 | 3 | 2 | 1 | 0 |
|---------------|--------|--------|--------|---|-----|-----|-----|-----|
| | CMFB | CMFA | OVF | — | OS3 | OS2 | OS1 | OS0 |
| Initial value | 0 | 0 | 0 | 1 | 0 | 0 | 0 | 0 |
| Read/Write | R/(W)* | R/(W)* | R/(W)* | — | R/W | R/W | R/W | R/W |

Note: * Bits 7 to 5 can be only written with 0, for flag clearing.

TCSR_V is an 8-bit register that sets compare match flags and the timer overflow flag, and controls compare match output.

TCSR_V is initialized to H'10 upon reset and in standby mode, watch mode, subsleep mode, and subactive mode.

Bit 7: Compare match flag B (CMFB)

Bit 7 is a status flag indicating that TCNTV has matched TCORB. This flag is set by hardware and cleared by software. It cannot be set by software.

Bit 7

| CMFB | Description | (initial value) |
|------|--|-----------------|
| 0 | Clearing conditions: After reading CMFB = 1, cleared by writing 0 to CMFB | (initial value) |
| 1 | Setting conditions: Set when the TCNTV value matches the TCORB value | |

Bit 6: Compare match flag A (CMFA)

Bit 6 is a status flag indicating that TCNTV has matched TCORA. This flag is set by hardware and cleared by software. It cannot be set by software.

Bit 6

| CMFA | Description | (initial value) |
|------|--|-----------------|
| 0 | Clearing conditions: After reading CMFA = 1, cleared by writing 0 to CMFA | (initial value) |
| 1 | Setting conditions: Set when the TCNTV value matches the TCORA value | |

Bit 5: Timer overflow flag (OVF)

Bit 5 is a status flag indicating that TCNTV has overflowed from H'FF to H'00. This flag is set by hardware and cleared by software. It cannot be set by software.

Bit 5

| OVF | Description | |
|-----|--|-----------------|
| 0 | Clearing conditions: After reading OVF = 1, cleared by writing 0 to OVF | (initial value) |
| 1 | Setting conditions: Set when TCNTV overflows from H'FF to H'00 | |

Bit 4: Reserved bit

Bit 4 is reserved; it is always read as 1, and cannot be modified.

Bits 3 to 0: Output select 3 to 0 (OS3 to OS0)

Bits 3 to 0 select the way in which the output level at the TMOV pin changes in response to compare match between TCNTV and TCORA or TCORB.

OS3 and OS2 select the output level for compare match B. OS1 and OS0 select the output level for compare match A. The two levels can be controlled independently.

If two compare matches occur simultaneously, any conflict between the settings is resolved according to the following priority order: toggle output > 1 output > 0 output.

When OS3 to OS0 are all cleared to 0, timer output is disabled.

After a reset, the timer output is 0 until the first compare match.

| Bit 3 OS3 | Bit 2 OS2 | Description | |
|--------------|--------------|-----------------------------------|-----------------|
| 0 | 0 | No change at compare match B | (initial value) |
| 0 | 1 | 0 output at compare match B | |
| 1 | 0 | 1 output at compare match B | |
| 1 | 1 | Output toggles at compare match B | |

| Bit 1 OS1 | Bit 0 OS0 | Description | |
|--------------|--------------|-----------------------------------|-----------------|
| 0 | 0 | No change at compare match A | (initial value) |
| 0 | 1 | 0 output at compare match A | |
| 1 | 0 | 1 output at compare match A | |
| 1 | 1 | Output toggles at compare match A | |

5. Timer control register V1 (TCRV1)

| Bit | 7 | 6 | 5 | 4 | 3 | 2 | 1 | 0 |
|---------------|---|---|---|-------|-------|------|---|-------|
| | — | — | — | TVEG1 | TVEG0 | TRGE | — | ICKS0 |
| Initial value | 1 | 1 | 1 | 0 | 0 | 0 | 1 | 0 |
| Read/Write | — | — | — | R/W | R/W | R/W | — | R/W |

TCRV1 is an 8-bit read/write register that selects the valid edge at the TRGV pin, enables TRGV input, and selects the clock input to TCNTV.

TCRV1 is initialized to H'E2 upon reset and in watch mode, subsleep mode, and subactive mode.

Bits 7 to 5: Reserved bits

Bit 7 to 5 are reserved; they are always read as 1, and cannot be modified.

Bits 4 and 3: TRGV input edge select (TVEG1, TVEG0)

Bits 4 and 3 select the TRGV input edge.

| Bit 4 TVEG1 | Bit 3 TVEG0 | Description | |
|----------------|----------------|--|-----------------|
| 0 | 0 | TRGV trigger input is disabled | (initial value) |
| 0 | 1 | Rising edge is selected | |
| 1 | 0 | Falling edge is selected | |
| 1 | 1 | Rising and falling edges are both selected | |

Bit 2: TRGV input enable (TRGE)

Bit 2 enables TCNTV counting to be triggered by input at the TRGV pin, and enables TCNTV counting to be halted when TCNTV is cleared by compare match. TCNTV stops counting when TRGE is set to 1, then starts counting when the edge selected by bits TVEG1 and TVEG0 is input at the TRGV pin.

| Bit 2 TRGE | Description |
|---------------|--|
| 0 | TCNTV counting is not triggered by input at the TRGV pin, and does not stop when TCNTV is cleared by compare match (initial value) |
| 1 | TCNTV counting is triggered by input at the TRGV pin, and stops when TCNTV is cleared by compare match |

Bit 1: Reserved bit

Bit 1 is reserved; it is always read as 1, and cannot be modified.

Bit 0: Internal clock select 0 (ICKS0)

Bit 0 and bits CKS2 to CKS0 in TCRV0 select the TCNTV clock source. For details see 9.8.2 (3), Timer control register V0.

9.8.3 Timer Operation

1. Timer V operation

A reset initializes TCNTV to H'00, TCORA and TCORB to H'FF, TCRV0 to H'00, TCSRV to H'10, and TCRV1 to H'E2.

Timer V can be clocked by one of six internal clocks output from prescaler S, or an external clock, as selected by bits CKS2 to CKS0 in TCRV0 and bit ICKS0 in TCRV1. The valid edge or edges of the external clock can also be selected by CKS2 to CKS0. When the clock source is selected, TCNTV starts counting the selected clock input.

The TCNTV contents are always compared with TCORA and TCORB. When a match occurs, the CMFA or CMFB bit is set to 1 in TCSRV. If CMIEA or CMIEB is set to 1 in TCRV0, a CPU interrupt is requested. At the same time, the output level selected by bits OS3 to OS0 in TCSRV is output from the TMOV pin.

When TCNT overflows from H'FF to H'00, if OVIE is 1 in TCRV0, a CPU interrupt is requested.

If bits CCLR1 and CCLR0 in TCRV0 are set to 01 (clear by compare match A) or 10 (clear by compare match B), TCNTV is cleared by the corresponding compare match. If these bits are set to 11, TCNTV is cleared by input of a rising edge at the TMRIV pin.

If bit TRGE is set to 1 in TCRV1, when TCNTV is cleared by the event selected by bits CCLR1 and CCLR0, it is also halted. TCNTV starts counting when the signal edge selected by bits TVEG1 and TVEG0 in TCRV1 is input at the TRGV pin.

2. TCNTV increment timing

TCNTV is incremented by an input (internal or external) clock.

- Internal clock

One of six clocks ($\phi/128$, $\phi/64$, $\phi/32$, $\phi/16$, $\phi/8$, $\phi/4$) divided from the system clock (ϕ) can be selected by bits CKS2 to CKS0 in TCRV0 and bit ICKS0 in TCRV1. Figure 9-8-2 shows the timing.

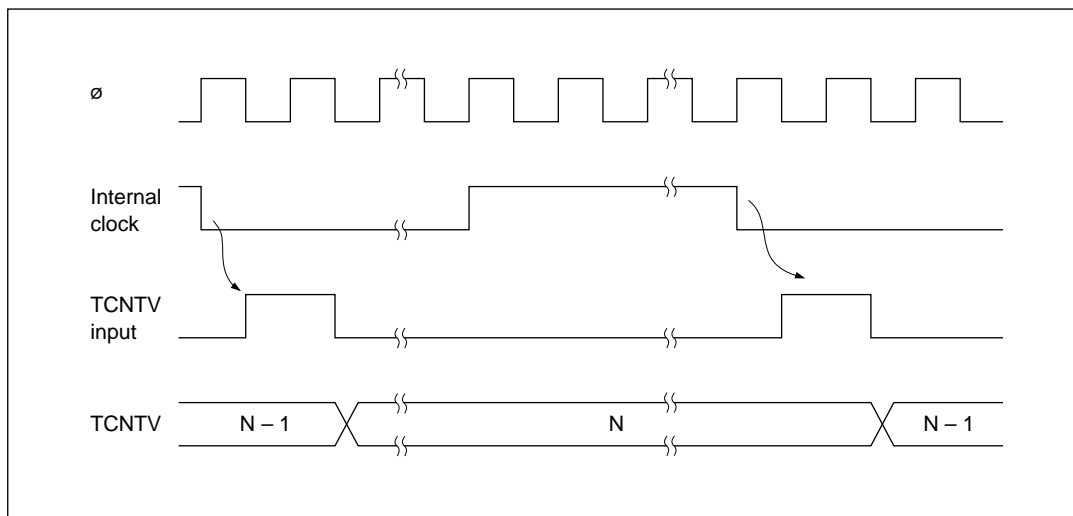


Figure 9-8-2 Increment Timing with Internal Clock

- External clock

Incrementation on the rising edge, falling edge, or both edges of the external clock can be selected by bits CKS2 to CKS0 in TCRV0.

The external clock pulse width should be at least 1.5 system clocks (ϕ) when a single edge is counted, and at least 2.5 system clocks when both edges are counted. Shorter pulses will not be counted correctly.

Figure 9-8-3 shows the timing when both the rising and falling edges of the external clock are selected.

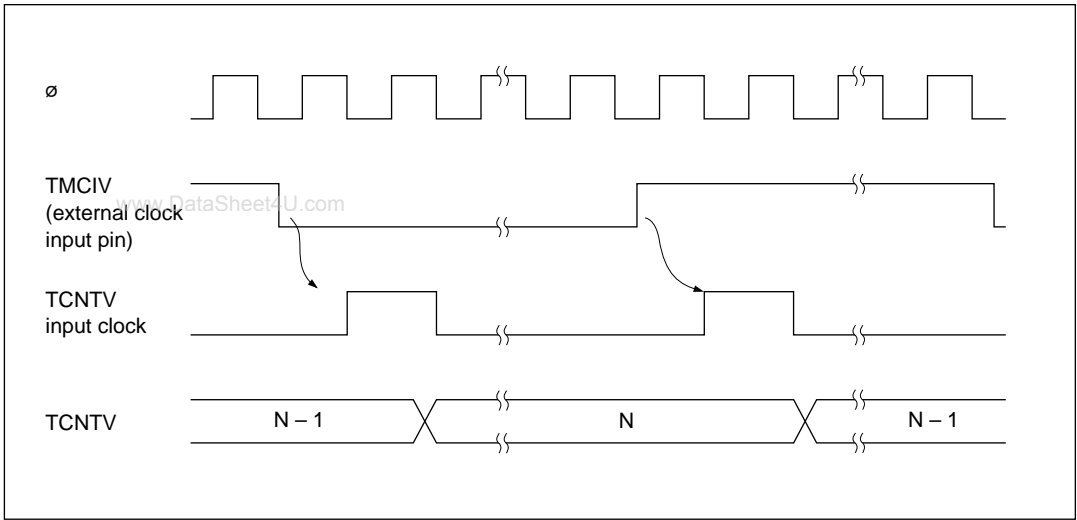


Figure 9-8-3 Increment Timing with External Clock

3. Overflow flag set timing

The overflow flag (OVF) is set to 1 when TCNTV overflows from H'FF to H'00. Figure 9-8-4 shows the timing.

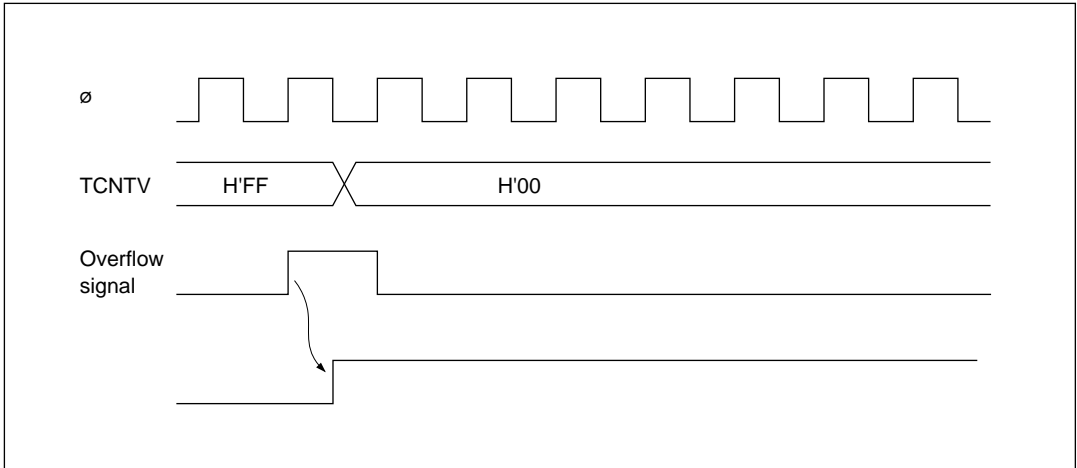


Figure 9-8-4 OVF Set Timing

4. Compare match flag set timing

Compare match flag A or B (CMFA or CMFB) is set to 1 when TCNTV matches TCORA or TCORB. The internal compare-match signal is generated in the last state in which the values match (when TCNTV changes from the matching value to a new value). Accordingly, when TCNTV matches TCORA or TCORB, the compare match signal is not generated until the next clock input to TCNTV. Figure 9-8-5 shows the timing.

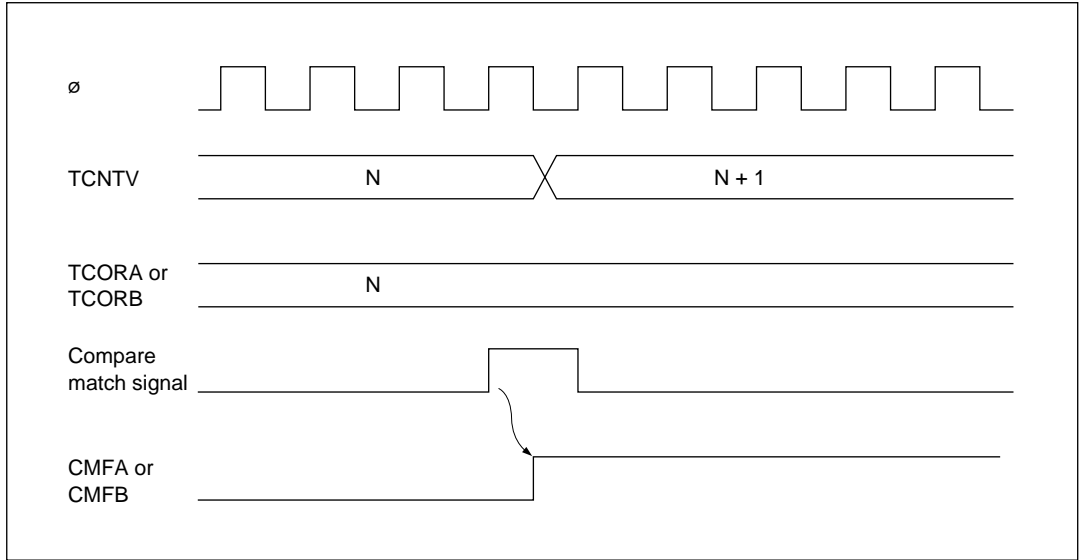


Figure 9-8-5 CMFA and CMFB Set Timing

5. TMOV output timing

The TMOV output responds to compare match A or B by remaining unchanged, changing to 0, changing to 1, or toggling, as selected by bits OS3 to OS0 in TCSR.V. Figure 9-8-6 shows the timing when the output is toggled by compare match A.

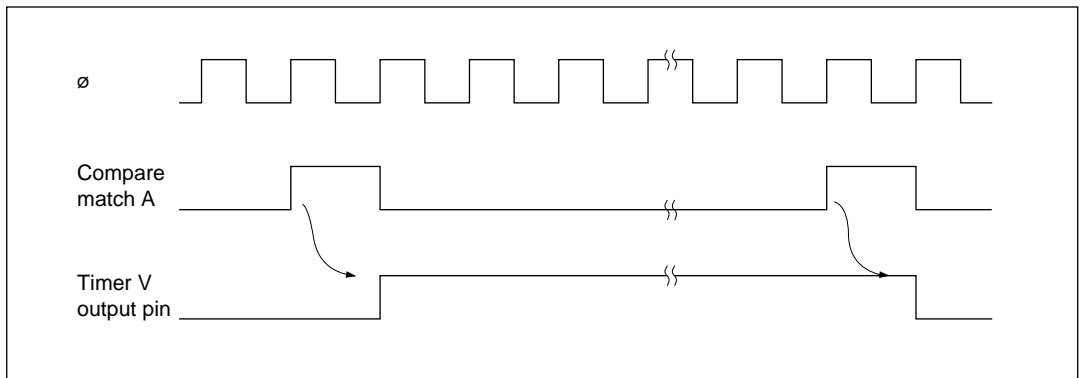


Figure 9-8-6 TMOV Output Timing

6. TCNTV clear timing by compare match

TCNTV can be cleared by compare match A or B, as selected by bits CCLR1 and CCLR0 in TCRV0. Figure 9-8-7 shows the timing.

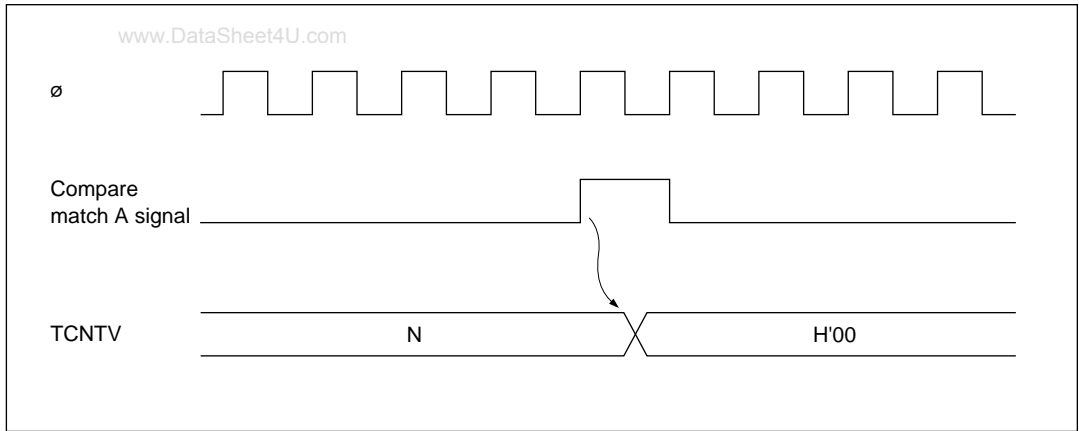


Figure 9-8-7 Clear Timing by Compare Match

7. TCNTV clear timing by TMRIV

TCNTV can be cleared by a rising edge at the TMRIV pin, as selected by bits CCLR1 and CCLR0 in TCRV0. A TMRIV input pulse width of at least 1.5 system clocks is necessary. Figure 9-8-8 shows the timing.

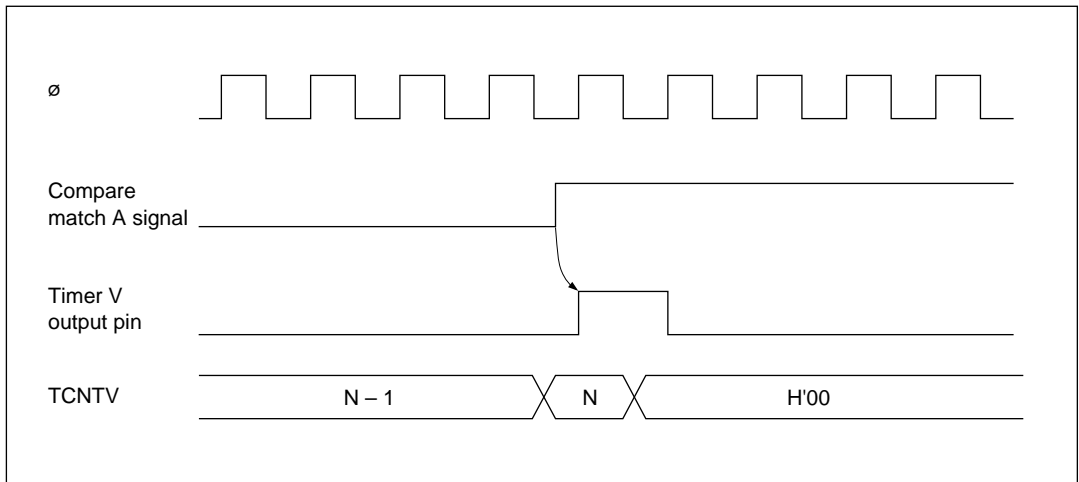


Figure 9-8-8 Clear Timing by TMRIV Input

9.8.4 Timer V Operation Modes

Table 9-7-4 summarizes the timer V operation states.

Table 9-7-4 Timer V Operation States

| Operation Mode | Reset | Active | Sleep | Watch | Sub-active | Sub-sleep | Standby |
|----------------|-------|-----------|-----------|-------|------------|-----------|---------|
| TCNTV | Reset | Functions | Functions | Reset | Reset | Reset | Reset |
| TCRV0, TCRV1 | Reset | Functions | Functions | Reset | Reset | Reset | Reset |
| TCORA, TCORB | Reset | Functions | Functions | Reset | Reset | Reset | Reset |
| TCSRv | Reset | Functions | Functions | Reset | Reset | Reset | Reset |

9.8.5 Interrupt Sources

Timer V has three interrupt sources: CMIA, CMIB, and OVI. Table 9-8-4 lists the interrupt sources and their vector address. Each interrupt source can be enabled or disabled by an interrupt enable bit in TCRV0. Although all three interrupts share the same vector, they have individual interrupt flags, so software can discriminate the interrupt source.

Table 9-8-4 Timer V Interrupt Sources

| Interrupt | Description | Vector Address |
|-----------|---------------------|----------------|
| CMIA | Generated from CMFA | H'0022 |
| CMIB | Generated from CMFB | |
| OVI | Generated from OVF | |

9.8.6 Application Examples

1. Pulse output with arbitrary duty cycle

Figure 9-8-9 shows an example of output of pulses with an arbitrary duty cycle. To set up this output:

www.DataSheet4U.com

- Clear bit CCLR1 to 0 and set bit CCLR0 to 1 in TCRV0 so that TCNTV will be cleared by compare match with TCORA.
- Set bits OS3 to OS0 to 0110 in TCSR0 so that the output will go to 1 at compare match with TCORA and to 0 at compare match with TCORB.
- Set bits CKS2 to CKS0 in TCRV0 and bit ICKS0 in TCRV1 to select the desired clock source.

With these settings, a waveform is output without further software intervention, with a period determined by TCORA and a pulse width determined by TCORB.

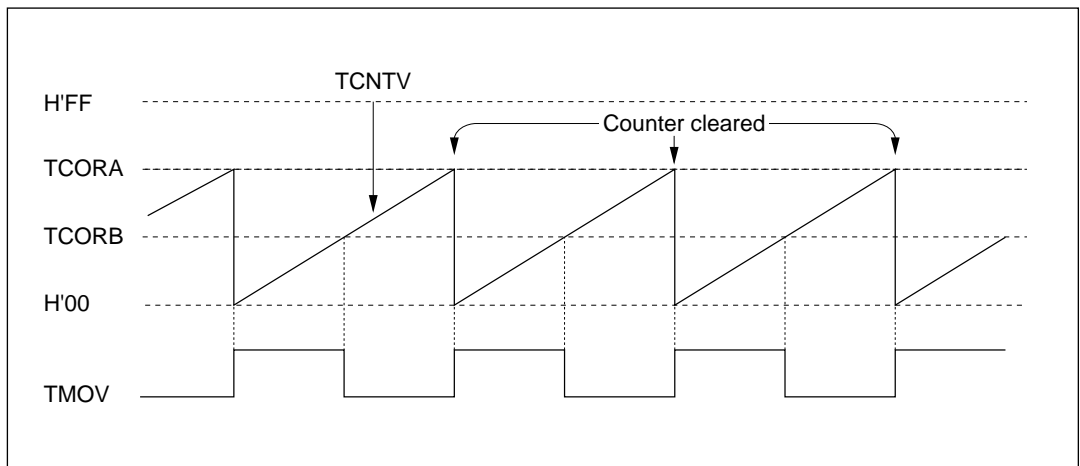


Figure 9-8-9 Pulse Output Example

2. Single-shot output with arbitrary pulse width and delay from TRGV input

The trigger function can be used to output a pulse with an arbitrary pulse width at an arbitrary delay from the TRGV input, as shown in figure 9-8-10. To set up this output:

- Set bit CCLR1 to 1 and clear bit CCLR0 to 0 in TCRV0 so that TCNTV will be cleared by compare match with TCORB.
- Set bits OS3 to OS0 to 0110 in TCSR0 so that the output will go to 1 at compare match with TCORA and to 0 at compare match with TCORB.
- Set bits TVEG1 and TVEG0 to 10 in TCRV1 and set TRGE to 1 to select the falling edge of the TRGV input.
- Set bits CKS2 to CKS0 in TCRV0 and bit ICKS0 in TCRV1 to select the desired clock source.

After these settings, a pulse waveform will be output without further software intervention, with a delay determined by TCORA from the TRGV input, and a pulse width determined by (TCORB – TCORA).

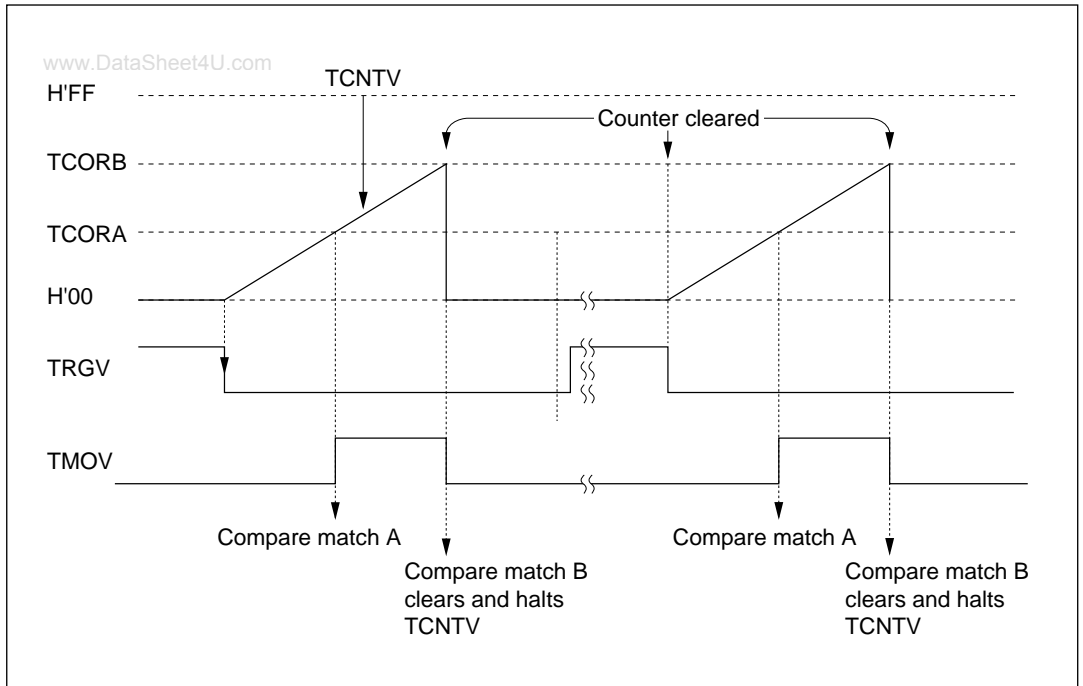


Figure 9-8-10 Pulse Output Synchronized to TRGV Input

9.8.7 Application Notes

The following types of contention can occur in timer V operation.

1. Contention between TCNTV write and counter clear

If a TCNTV clear signal is generated in the T_3 state of a TCNTV write cycle, clearing takes precedence and the write to the counter is not carried out. Figure 9-8-11 shows the timing.

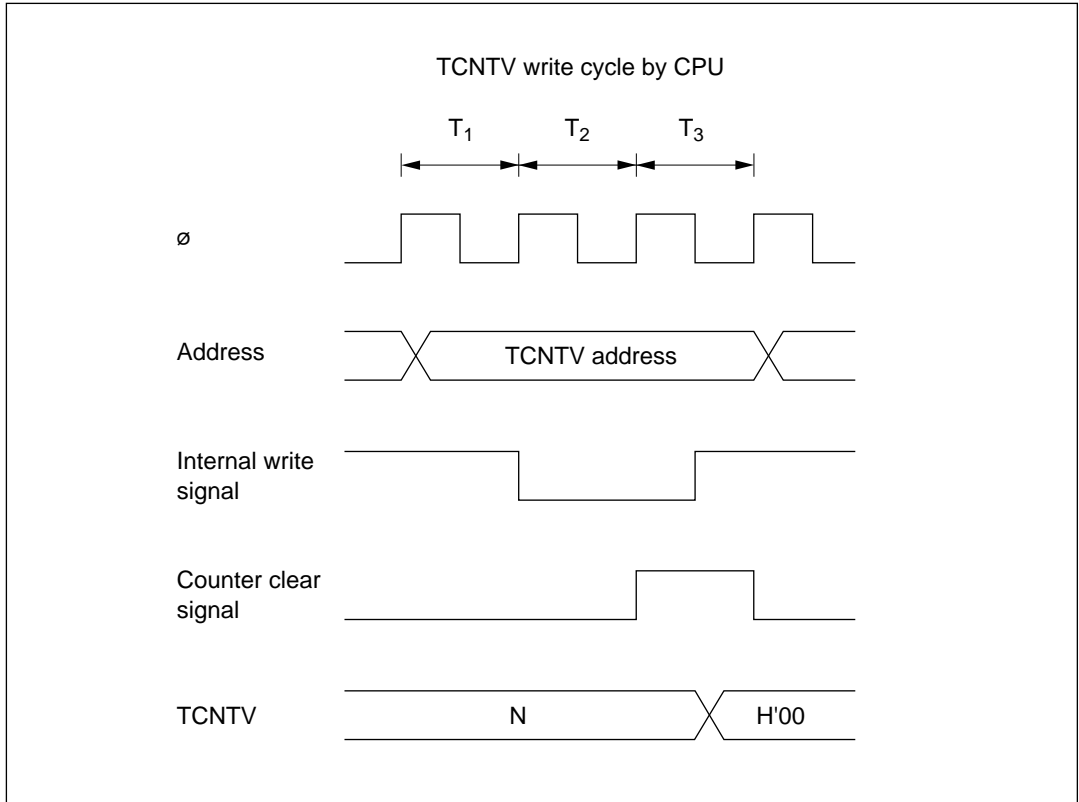


Figure 9-8-11 Contention between TCNTV Write and Clear

2. Contention between TCNTV write and increment

If a TCNTV increment clock signal is generated in the T_3 state of a TCNTV write cycle, the write takes precedence and the counter is not incremented. Figure 9-8-12 shows the timing.

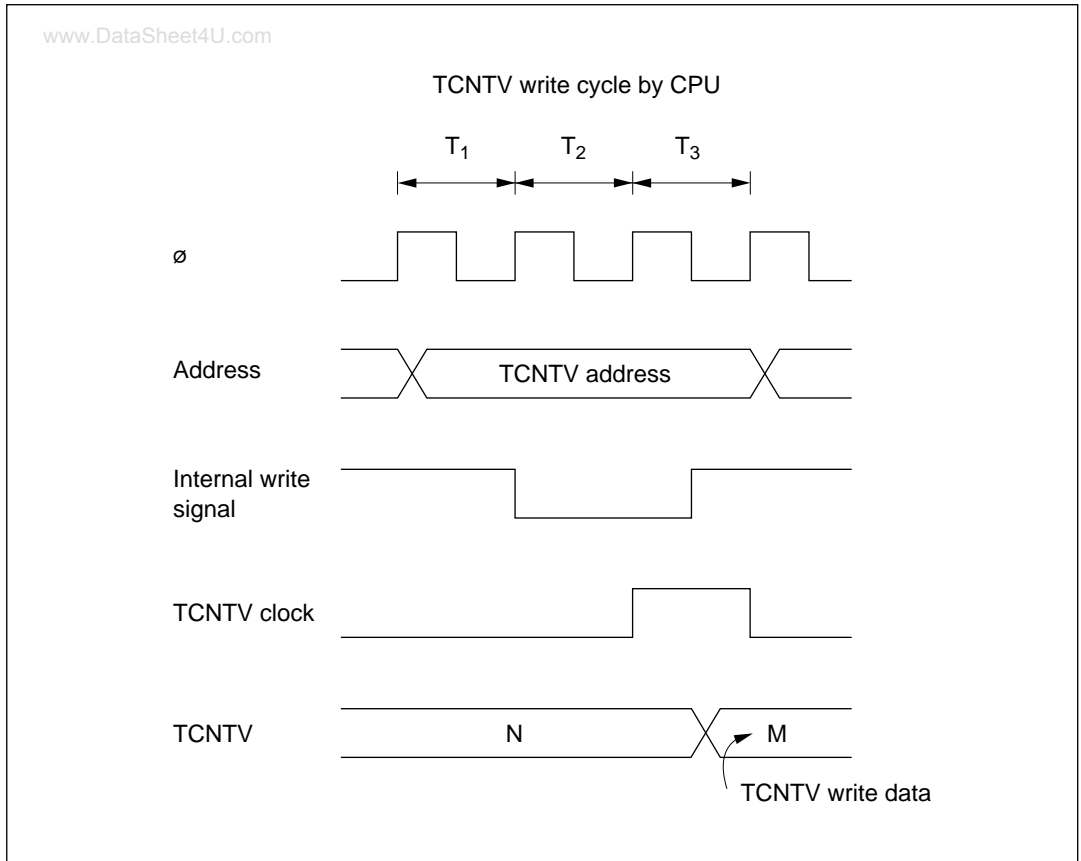


Figure 9-8-12 Contention between TCNTV Write and Increment

3. Contention between TCOR write and compare match

If a compare match is generated in the T_3 state of a TCORA or TCORB write cycle, the write to TCORA or TCORB takes precedence and the compare match signal is inhibited. Figure 9-8-13 shows the timing.

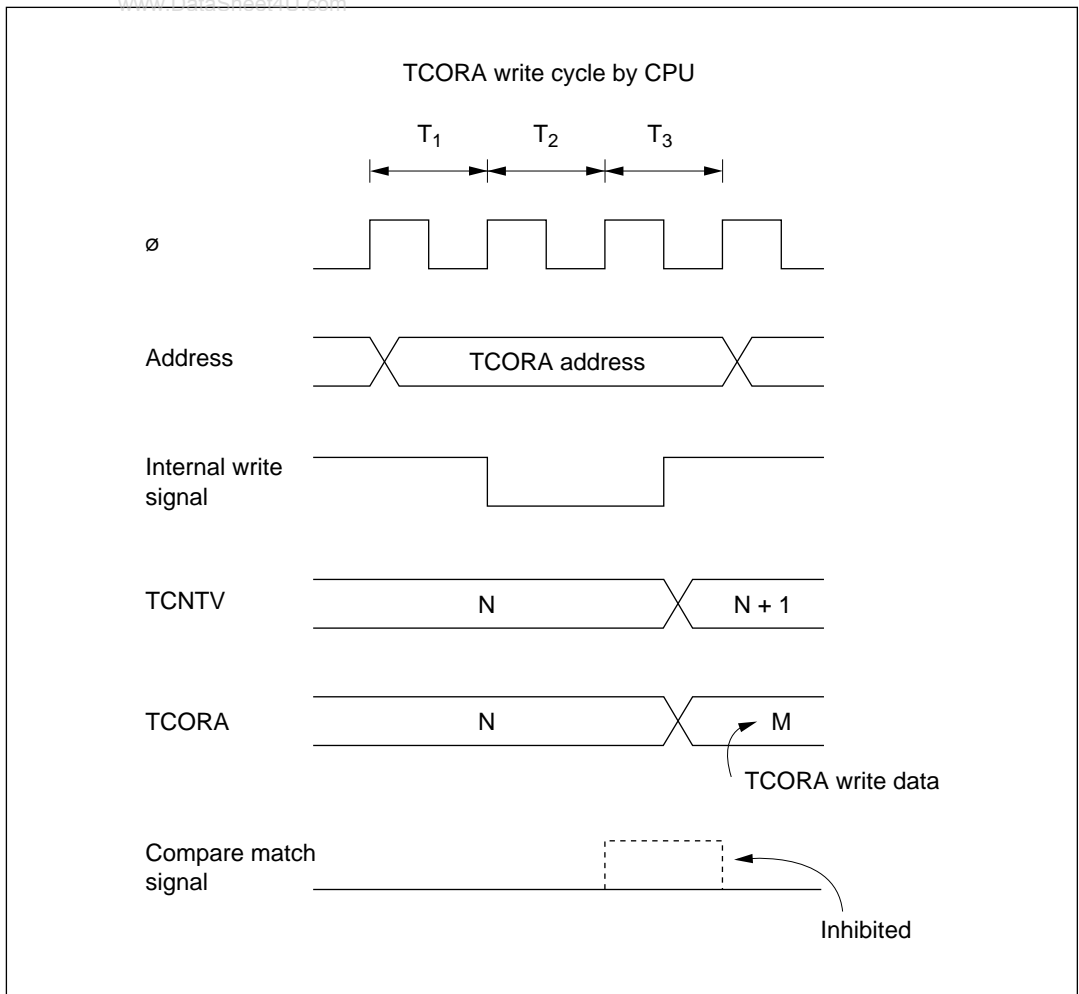


Figure 9-8-13 Contention between TCORA Write and Compare Match

4. Contention between compare match A and B

If compare match A and B occur simultaneously, any conflict between the output selections for compare match A and compare match B is resolved by following the priority order in table 9-8-5.

Table 9-8-5 Timer Output Priority Order

www.DataSheet4U.com

| Output Setting | Priority |
|----------------|----------|
| Toggle output | High |
| 1 output | ↑ |
| 0 output | |
| No change | Low |

5. Internal clock switching and counter operation

Depending on the timing, TCNTV may be incremented by a switch between different internal clock sources. Table 9-8-6 shows the relation between internal clock switchover timing (by writing to bits CKS1 and CKS0) and TCNTV operation.

When TCNTV is internally clocked, an increment pulse is generated from the falling edge of an internal clock signal, which is divided from the system clock (ϕ). For this reason, in a case like No. 3 in table 9-8-6 where the switch is from a high clock signal to a low clock signal, the switchover is seen as a falling edge, causing TCNTV to increment.

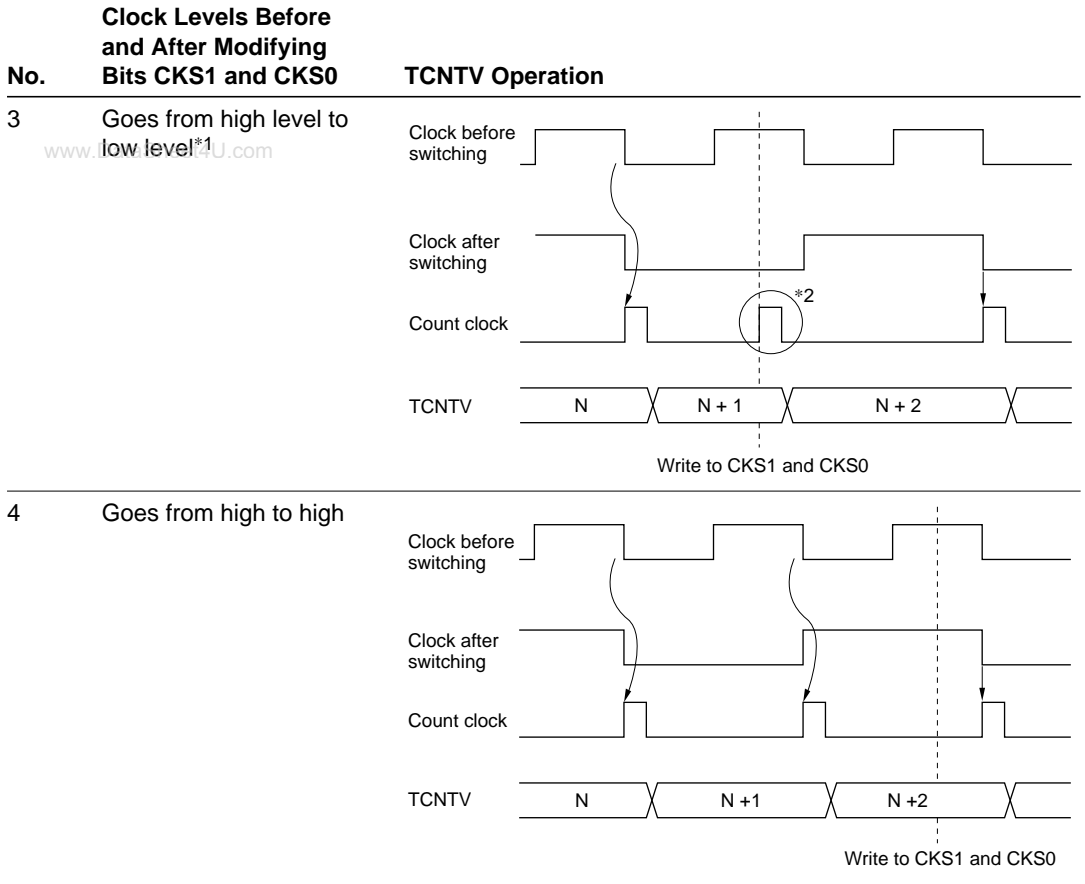
TCNTV can also be incremented by a switch between internal and external clocks.

Table 9-8-6 Internal Clock Switching and TCNTV Operation

| No. | Clock Levels Before and After Modifying Bits CKS1 and CKS0 | TCNTV Operation |
|-----|--|---|
| 1 | Goes from low level to low level*1 | <p style="text-align: center;">Write to CKS1 and CKS0</p> |
| 2 | Goes from low to high*2 | <p style="text-align: center;">Write to CKS1 and CKS0</p> |

- Notes:
1. Including a transition from the low level to the stopped state, or from the stopped state to the low level.
 2. Including a transition from the stopped state to the high level.

Table 9-8-6 Internal Clock Switching and TCNTV Operation (cont)



- Notes:
1. Including a transition from the high level to the stopped state.
 2. The switchover is seen as a falling edge, and TCNTV is incremented.

9.9 Timer X

9.9.1 Overview

Timer X is based on a 16-bit free-running counter (FRC). It can output two independent waveforms, or measure input pulse widths and external clock periods.

www.DataSheet4U.com

1. Features

Features of timer X are given below.

- Choice of three internal clock sources ($\phi/2$, $\phi/8$, $\phi/32$) or an external clock (can be used as an external event counter).
- Two independent output compare waveforms.
- Four independent input capture channels, with selection of rising or falling edge and buffering option.
- Counter can be cleared by compare match A.
- Seven independent interrupt sources: two compare match, four input capture, one overflow

2. Block diagram

Figure 9-9-1 shows a block diagram of timer X.

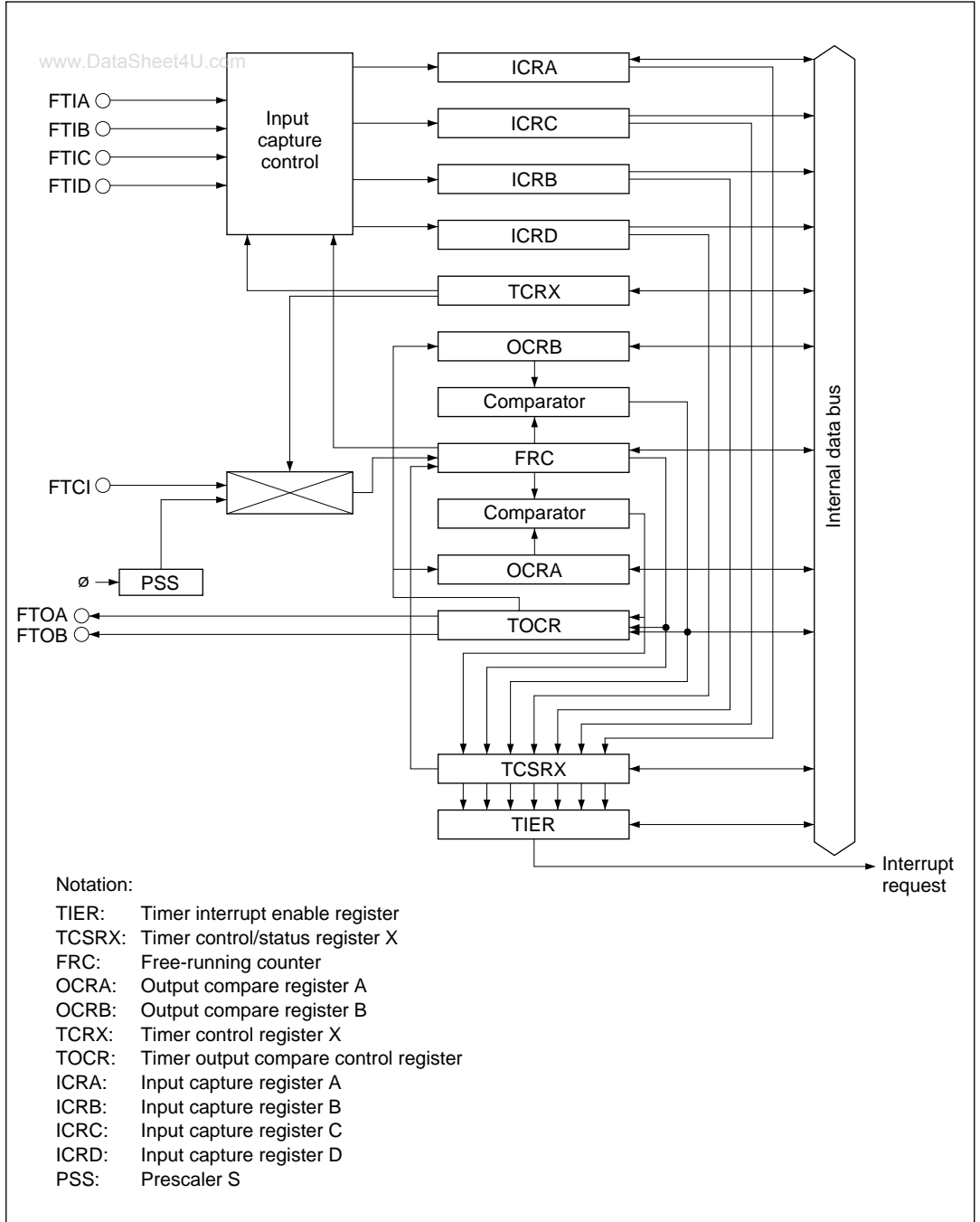


Figure 9-9-1 Block Diagram of Timer X

3. Pin configuration

Table 9-9-1 shows the timer X pin configuration.

Table 9-9-1 Pin Configuration

| Name | Abbrev. | I/O | Function |
|---------------------|----------------|------------|---------------------------------|
| Counter clock input | FTCI | Input | Clock input to FRC |
| Output compare A | FTOA | Output | Output pin for output compare A |
| Output compare B | FTOB | Output | Output pin for output compare B |
| Input capture A | FTIA | Input | Input pin for input capture A |
| Input capture B | FTIB | Input | Input pin for input capture B |
| Input capture C | FTIC | Input | Input pin for input capture C |
| Input capture D | FTID | Input | Input pin for input capture D |

4. Register configuration

Table 9-9-2 shows the register configuration of timer X.

Table 9-9-2 Timer X Registers

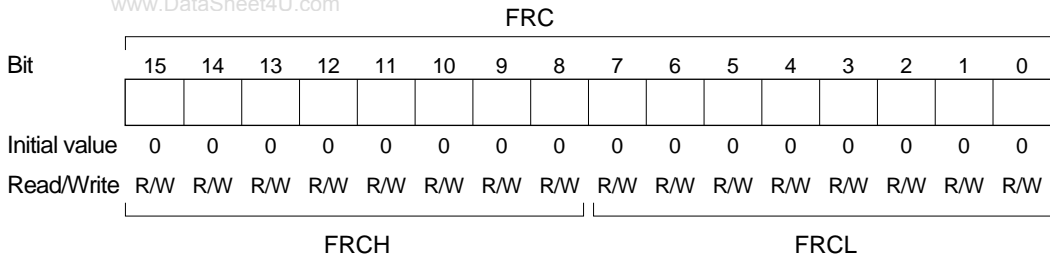
| Name | Abbrev. | R/W | Initial Value | Address |
|---------------------------------------|----------------|------------|----------------------|----------------|
| Timer interrupt enable register | TIER | R/W | H'01 | H'F770 |
| Timer control/status register X | TCSRX | R/(W)*1 | H'00 | H'F771 |
| Free-running counter H | FRCH | R/W | H'00 | H'F772 |
| Free-running counter L | FRCL | R/W | H'00 | H'F773 |
| Output compare register AH | OCRAH | R/W | H'FF | H'F774*2 |
| Output compare register AL | OCRAL | R/W | H'FF | H'F775*2 |
| Output compare register BH | OCRBH | R/W | H'FF | H'F774*2 |
| Output compare register BL | OCRBL | R/W | H'FF | H'F775*2 |
| Timer control register X | TCRX | R/W | H'00 | H'F776 |
| Timer output compare control register | TOCR | R/W | H'E0 | H'F777 |
| Input capture register AH | ICRAH | R | H'00 | H'F778 |
| Input capture register AL | ICRAL | R | H'00 | H'F779 |
| Input capture register BH | ICRBH | R | H'00 | H'F77A |
| Input capture register BL | ICRBL | R | H'00 | H'F77B |
| Input capture register CH | ICRCH | R | H'00 | H'F77C |
| Input capture register CL | ICRCL | R | H'00 | H'F77D |
| Input capture register DH | ICRDH | R | H'00 | H'F77E |
| Input capture register DL | ICRDL | R | H'00 | H'F77F |

- Notes: 1. Bits 7 to 1 can only be written with 0 for flag clearing. Bit 0 is a read/write bit.
 2. OCRA and OCRB share the same address. They are selected by the OCRS bit in TOCR.

9.9.2 Register Descriptions

- Free-running counter (FRC)
 - Free-running counter H (FRCH)
 - Free-running counter L (FRCL)

www.DataSheet4U.com



FRC is a 16-bit read/write up-counter, which is incremented by internal or external clock input. The clock source is selected by bits CKS1 and CKS0 in TCRX.

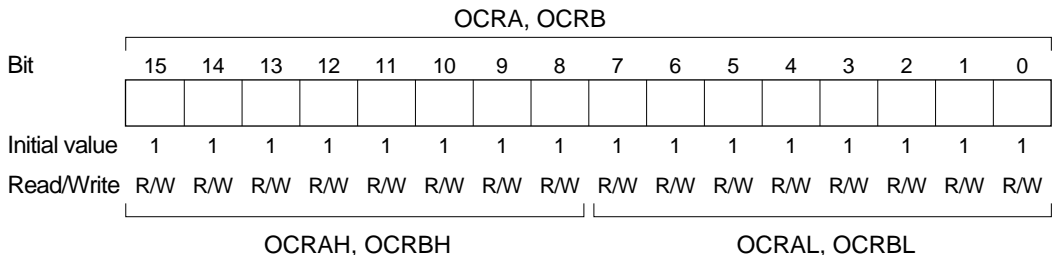
FRC can be cleared by compare match A, depending on the setting of CCLRA in TCSRX.

When FRC overflows from H'FFFF to H'0000, OVF is set to 1 in TCSRX. If OVIE = 1 in TIER, a CPU interrupt is requested.

FRC can be written and read by the CPU. Since FRC has 16 bits, data is transferred between the CPU and FRC via a temporary register (TEMP). For details see 9.9.3, CPU Interface.

FRC is initialized to H'0000 upon reset and in standby mode, watch mode, subsleep mode, and subactive mode.

- Output compare registers A and B (OCRA, OCRB)
 - Output compare registers AH and BH (OCRAH, OCRBH)
 - Output compare registers AL and BL (OCRAL, OCRBL)



There are two 16-bit read/write output compare registers, OCRA and OCRB, the contents of which are always compared with FRC. When the values match, OCFA or OCFB is set to 1 in TCSRX. If OCIAE = 1 or OCIBE = 1 in TIER, a CPU interrupt is requested.

When a compare match with OCRA or OCRB occurs, if OEA = 1 or OEB = 1 in TOCR, the value selected by OLVLA or OLVLB in TOCR is output at the FTOA or FTOB pin. After a reset, the output from the FTOA or FTOB pin is 0 until the first compare match occurs.

OCRA and OCRB can be written and read by the CPU. Since they are 16-bit registers, data is transferred between them and the CPU via a temporary register (TEMP). For details see 9.9.3, CPU Interface.

OCRA and OCRB are initialized to H'FFFF upon reset and in standby mode, watch mode, subsleep mode, and subactive mode.

- 3. Input capture registers A to D (ICRA to ICRD)
 - Input capture registers AH to DH (ICRAH to ICRDH)
 - Input capture registers AL to DL (ICRAL to ICRDL)

| | | ICRA, ICRB, ICRC, ICRD | | | | | | | | | | | | | | | |
|---------------|--|----------------------------|----|----|----|----|----|---|---|----------------------------|---|---|---|---|---|---|---|
| Bit | | 15 | 14 | 13 | 12 | 11 | 10 | 9 | 8 | 7 | 6 | 5 | 4 | 3 | 2 | 1 | 0 |
| Initial value | | 0 | 0 | 0 | 0 | 0 | 0 | 0 | 0 | 0 | 0 | 0 | 0 | 0 | 0 | 0 | 0 |
| Read/Write | | R | R | R | R | R | R | R | R | R | R | R | R | R | R | R | R |
| | | ICRAH, ICRBH, ICRCH, ICRDH | | | | | | | | ICRAL, ICRBL, ICRCL, ICRDL | | | | | | | |

There are four 16-bit read only input capture registers, ICRA to ICRD.

When the designated edge of an input capture signal is input, the FRC value is transferred to the corresponding input capture register, and the corresponding input capture flag (ICFA to ICFD) is set to 1 in TCSRX. If the corresponding input capture interrupt enable bit (ICIAE to ICIDE) is 1 in TIER, a CPU interrupt is requested. The valid edge of the input signal can be selected by bits IEDGA to IEDGD in TCRX.

ICRC and ICRD can also be used as buffer registers for ICRA and ICRB. Buffering is enabled by bits BUFEA and BUFEB in TCRX.

Figure 9-9-2 shows the interconnections when ICRC operates as a buffer register of ICRA (when BUFEA = 1). In buffered input capture operations, both the rising and falling edges of the external input signal can be selected simultaneously, by setting IEDGA ≠ IEDGC. If IEDGA = IEDGC, then only one edge is selected (either the rising edge or falling edge). See table 9-9-3.

Note: The FRC value is transferred to the input capture register (ICR) regardless of the value of the input capture flag (ICF).

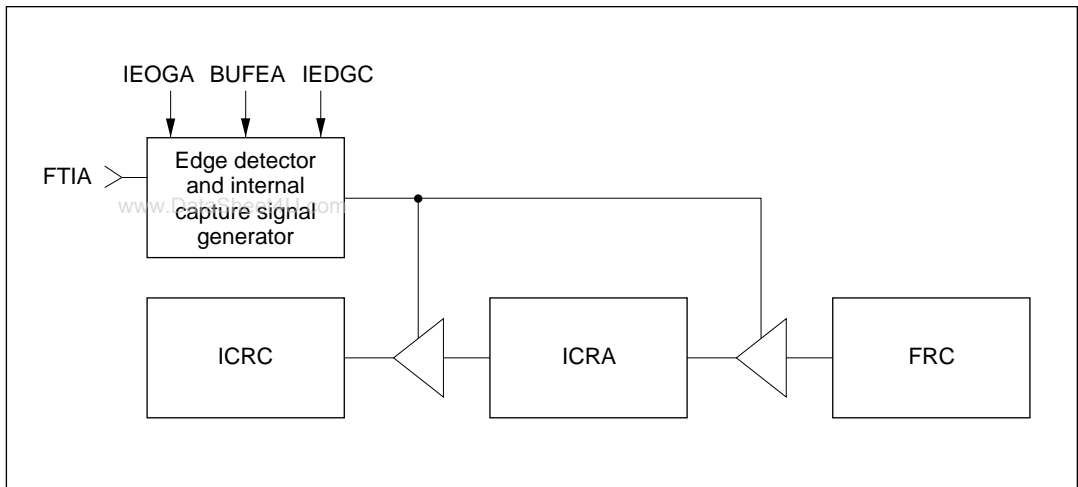


Figure 9-9-2 Buffer Operation (Example)

Table 9-9-3 Input Edge Selection during Buffer Operation

| IEDGA | IEDGC | Input Edge Selection |
|-------|-------|---|
| 0 | 0 | Falling edge of input capture A input signal is captured (initial value) |
| 0 | 1 | Rising and falling edge of input capture A input signal are both captured |
| 1 | 0 | |
| 1 | 1 | Rising edge of input capture A input signal is captured |

ICRA to ICRD can be written and read by the CPU. Since they are 16-bit registers, data is transferred from them to the CPU via a temporary register (TEMP). For details see 9.9.3, CPU Interface.

To assure input capture, the pulse width of the input capture input signal must be at least 1.5 system clocks (ϕ) when a single edge is selected, or at least 2.5 system clocks (ϕ) when both edges are selected.

ICRA to ICRD are initialized to H'0000 upon reset and in standby mode, watch mode, subsleep mode, and subactive mode.

4. Timer interrupt enable register (TIER)

| Bit | 7 | 6 | 5 | 4 | 3 | 2 | 1 | 0 |
|---------------|-------|-------|-------|-------|-------|-------|------|---|
| | ICIAE | ICIBE | ICICE | ICIDE | OCIAE | OCIBE | OVIE | — |
| Initial value | 0 | 0 | 0 | 0 | 0 | 0 | 0 | 1 |
| Read/Write | R/W | R/W | R/W | R/W | R/W | R/W | R/W | — |

TIER is an 8-bit read/write register that enables or disables interrupt requests.

TIER is initialized to H'01 upon reset and in standby mode, watch mode, subsleep mode, and subactive mode.

Bit 7: Input capture interrupt A enable (ICIAE)

Bit 7 enables or disables the ICIA interrupt requested when ICFA is set to 1 in TCSRX.

Bit 7

| ICIAE | Description |
|-------|--|
| 0 | Interrupt request by ICFA (ICIA) is disabled (initial value) |
| 1 | Interrupt request by ICFA (ICIA) is enabled |

Bit 6: Input capture interrupt B enable (ICIBE)

Bit 6 enables or disables the ICIB interrupt requested when ICFB is set to 1 in TCSRX.

Bit 6

| ICIBE | Description |
|-------|--|
| 0 | Interrupt request by ICFB (ICIB) is disabled (initial value) |
| 1 | Interrupt request by ICFB (ICIB) is enabled |

Bit 5: Input capture interrupt C enable (ICICE)

Bit 5 enables or disables the ICIC interrupt requested when ICFC is set to 1 in TCSRX.

Bit 5

| ICICE | Description |
|-------|--|
| 0 | Interrupt request by ICFC (ICIC) is disabled (initial value) |
| 1 | Interrupt request by ICFC (ICIC) is enabled |

Bit 4: Input capture interrupt D enable (ICIDE)

Bit 4 enables or disables the ICID interrupt requested when ICFD is set to 1 in TCSRX.

Bit 4

| ICIDE | Description |
|-------|--|
| 0 | Interrupt request by ICFD (ICID) is disabled (initial value) |
| 1 | Interrupt request by ICFD (ICID) is enabled |

Bit 3: Output compare interrupt A enable (OCIAE)

Bit 3 enables or disables the OCIA interrupt requested when OCFA is set to 1 in TCSRX.

Bit 3

| OCIAE | Description |
|-------|--|
| 0 | Interrupt request by OCFA (OCIA) is disabled (initial value) |
| 1 | Interrupt request by OCFA (OCIA) is enabled |

Bit 2: Output compare interrupt B enable (OCIBE)

Bit 2 enables or disables the OCIB interrupt requested when OCFB is set to 1 in TCSRX.

Bit 2

| OCIBE | Description |
|-------|--|
| 0 | Interrupt request by OCFB (OCIB) is disabled (initial value) |
| 1 | Interrupt request by OCFB (OCIB) is enabled |

Bit 1: Timer overflow interrupt enable (OVIE)

Bit 1 enables or disables the FOVI interrupt requested when OVF is set to 1 in TCSRX.

Bit 1

| OVIE | Description |
|------|---|
| 0 | Interrupt request by OVF (FOVI) is disabled (initial value) |
| 1 | Interrupt request by OVF (FOVI) is enabled |

Bit 0: Reserved bit

Bit 0 is reserved; it is always read as 1, and cannot be modified.

5. Timer control/status register X (TCSRX)

| Bit | 7 | 6 | 5 | 4 | 3 | 2 | 1 | 0 |
|---------------|--------|--------|--------|--------|--------|--------|--------|-------|
| | ICFA | ICFB | ICFC | ICFD | OCFA | OCFB | OVF | CCLRA |
| Initial value | 0 | 0 | 0 | 0 | 0 | 0 | 0 | 0 |
| Read/Write | R/(W)* | R/(W)* | R/(W)* | R/(W)* | R/(W)* | R/(W)* | R/(W)* | R/W |

Note: * Bits 7 to 1 can only be written with 0 for flag clearing.

TCSRX is an 8-bit register that selects clearing of the counter and controls interrupt request signals.

TCSRX is initialized to H'00 upon reset and in standby mode, watch mode, subsleep mode, and subactive mode. Other timing is described in section 9-9-4, Timer Operation.

Bit 7: Input capture flag A (ICFA)

Bit 7 is a status flag that indicates that the FRC value has been transferred to ICRA by an input capture signal. If BUFEA is set to 1 in TCRX, ICFA indicates that the FRC value has been transferred to ICRA by an input capture signal and that the ICRA value before this update has been transferred to ICRC.

This flag is set by hardware and cleared by software. It cannot be set by software.

Bit 7

| ICFA | Description |
|------|---|
| 0 | Clearing conditions: After reading ICFA = 1, cleared by writing 0 to ICFA (initial value) |
| 1 | Setting conditions: Set when the FRC value is transferred to ICRA by an input capture signal |

Bit 6: Input capture flag B (ICFB)

Bit 6 is a status flag that indicates that the FRC value has been transferred to ICRB by an input capture signal. If BUFE6 is set to 1 in TCRX, ICFB indicates that the FRC value has been transferred to ICRB by an input capture signal and that the ICRB value before this update has been transferred to ICRD.

This flag is set by hardware and cleared by software. It cannot be set by software.

Bit 6

| ICFB | Description |
|------|---|
| 0 | Clearing conditions: After reading ICFB = 1, cleared by writing 0 to ICFB (initial value) |
| 1 | Setting conditions: Set when the FRC value is transferred to ICRB by an input capture signal |

Bit 5: Input capture flag C (ICFC)

Bit 5 is a status flag that indicates that the FRC value has been transferred to ICRC by an input capture signal. If BUFEA is set to 1 in TCRX, ICFC is set by the input capture signal even though the FRC value is not transferred to ICRC. In buffered operation, ICFC can accordingly be used as an external interrupt, by setting the ICICE bit to 1.

www.DataSheet4U.com

This flag is set by hardware and cleared by software. It cannot be set by software.

Bit 5

| ICFC | Description |
|------|--|
| 0 | Clearing conditions: After reading ICFC = 1, cleared by writing 0 to ICFC (initial value) |
| 1 | Setting conditions: Set by input capture signal |

Bit 4: Input capture flag D (ICFD)

Bit 4 is a status flag that indicates that the FRC value has been transferred to ICRD by an input capture signal. If BUFEA is set to 1 in TCRX, ICFD is set by the input capture signal even though the FRC value is not transferred to ICRD. In buffered operation, ICFD can accordingly be used as an external interrupt, by setting the ICIDE bit to 1.

This flag is set by hardware and cleared by software. It cannot be set by software.

Bit 4

| ICFD | Description |
|------|--|
| 0 | Clearing conditions: After reading ICFD = 1, cleared by writing 0 to ICFD (initial value) |
| 1 | Setting conditions: Set by input capture signal |

Bit 3: Output compare flag A (OCFA)

Bit 3 is a status flag that indicates that the FRC value has matched OCRA. This flag is set by hardware and cleared by software. It cannot be set by software.

Bit 3

| OCFA | Description |
|------|--|
| 0 | Clearing conditions: After reading OCFA = 1, cleared by writing 0 to OCFA (initial value) |
| 1 | Setting conditions: Set when FRC matches OCRA |

Bit 2: Output compare flag B (OCFB)

Bit 2 is a status flag that indicates that the FRC value has matched OCRB. This flag is set by hardware and cleared by software. It cannot be set by software.

Bit 2

| OCFB | Description | |
|-------------|--|-----------------|
| 0 | Clearing conditions: After reading OCFB = 1, cleared by writing 0 to OCFB | (initial value) |
| 1 | Setting conditions: Set when FRC matches OCRB | |

Bit 1: Timer overflow flag (OVF)

Bit 1 is a status flag that indicates that FRC has overflowed from H'FFFF to H'0000. This flag is set by hardware and cleared by software. It cannot be set by software.

Bit 1

| OVF | Description | |
|------------|---|-----------------|
| 0 | Clearing conditions: After reading OVF = 1, cleared by writing 0 to OVF | (initial value) |
| 1 | Setting conditions: Set when the FRC value overflows from H'FFFF to H'0000 | |

Bit 0: Counter clear A (CCLRA)

Bit 0 selects whether or not to clear FRC by compare match A (when FRC matches OCRA).

Bit 0

| CCLRA | Description | |
|--------------|---------------------------------------|-----------------|
| 0 | FRC is not cleared by compare match A | (initial value) |
| 1 | FRC is cleared by compare match A | |

6. Timer control register X (TCRX)

| Bit | 7 | 6 | 5 | 4 | 3 | 2 | 1 | 0 |
|---------------|-------|-------|-------|-------|-------|-------|------|------|
| | IEDGA | IEDGB | IEDGC | IEDGD | BUFEA | BUFEB | CKS1 | CKS0 |
| Initial value | 0 | 0 | 0 | 0 | 0 | 0 | 0 | 0 |
| Read/Write | R/W | R/W | R/W | R/W | R/W | R/W | R/W | R/W |

TCRX is an 8-bit read/write register that selects the valid edges of the input capture signals, enables buffering, and selects the FRC clock source.

TCRX is initialized to H'00 upon reset and in standby mode, watch mode, subsleep mode, and subactive mode.

Bit 7: Input edge select A (IEDGA)

Bit 7 selects the rising or falling edge of the input capture A input signal (FTIA).

Bit 7

| IEDGA | Description | |
|-------|-------------------------------------|-----------------|
| 0 | Falling edge of input A is captured | (initial value) |
| 1 | Rising edge of input A is captured | |

Bit 6: Input edge select B (IEDGB)

Bit 6 selects the rising or falling edge of the input capture B input signal (FTIB).

Bit 6

| IEDGB | Description | |
|-------|-------------------------------------|-----------------|
| 0 | Falling edge of input B is captured | (initial value) |
| 1 | Rising edge of input B is captured | |

Bit 5: Input edge select C (IEDGC)

Bit 5 selects the rising or falling edge of the input capture C input signal (FTIC).

Bit 5

| IEDGC | Description | |
|-------|-------------------------------------|-----------------|
| 0 | Falling edge of input C is captured | (initial value) |
| 1 | Rising edge of input C is captured | |

Bit 4: Input edge select D (IEDGD)

Bit 4 selects the rising or falling edge of the input capture D input signal (FTID).

Bit 4

| IEDGD | Description | |
|-------|-------------------------------------|-----------------|
| 0 | Falling edge of input D is captured | (initial value) |
| 1 | Rising edge of input D is captured | |

Bit 3: Buffer enable A (BUFEA)

Bit 3 selects whether or not to use ICRC as a buffer register for ICRA.

Bit 3

| BUFEA | Description | |
|-------|--|-----------------|
| 0 | ICRC is not used as a buffer register for ICRA | (initial value) |
| 1 | ICRC is used as a buffer register for ICRA | |

Bit 2: Buffer enable B (BUFEB)

Bit 2 selects whether or not to use ICRD as a buffer register for ICRB.

Bit 2

| BUFEB | Description | |
|-------|--|-----------------|
| 0 | ICRD is not used as a buffer register for ICRB | (initial value) |
| 1 | ICRD is used as a buffer register for ICRB | |

Bits 1 and 0: Clock select (CKS1, CKS0)

Bits 1 and 0 select one of three internal clock sources or an external clock for input to FRC. The external clock is counted on the rising edge.

| Bit 1 CKS1 | Bit 0 CKS0 | Description | |
|---------------|---------------|--------------------------------|-----------------|
| 0 | 0 | Internal clock: $\emptyset/2$ | (initial value) |
| 0 | 1 | Internal clock: $\emptyset/8$ | |
| 1 | 0 | Internal clock: $\emptyset/32$ | |
| 1 | 1 | External clock: rising edge | |

7. Timer output compare control register (TOCR)

| Bit | 7 | 6 | 5 | 4 | 3 | 2 | 1 | 0 |
|---------------|---|---|---|------|-----|-----|-------|-------|
| | — | — | — | OCRS | OEA | OEB | OLVLA | OLVLB |
| Initial value | 1 | 1 | 1 | 0 | 0 | 0 | 0 | 0 |
| Read/Write | — | — | — | R/W | R/W | R/W | R/W | R/W |

TOCR is an 8-bit read/write register that selects the output compare output levels, enables output compare output, and controls access to OCRA and OCRB.

TOCR is initialized to H'E0 upon reset and in standby mode, watch mode, subsleep mode, and subactive mode.

Bits 7 to 5: Reserved bits

Bit 7 to 5 are reserved; they are always read as 1, and cannot be modified.

Bit 4: Output compare register select (OCRS)

OCRA and OCRB share the same address. OCRS selects which register is accessed when this address is written or read. It does not affect the operation of OCRA and OCRB.

Bit 4

| OCRS | Description | |
|------|------------------|-----------------|
| 0 | OCRA is selected | (initial value) |
| 1 | OCRB is selected | |

Bit 3: Output enable A (OEA)

Bit 3 enables or disables the timer output controlled by output compare A.

Bit 3

| OEA | Description | |
|-----|-------------------------------------|-----------------|
| 0 | Output compare A output is disabled | (initial value) |
| 1 | Output compare A output is enabled | |

Bit 2: Output enable B (OEB)

Bit 2 enables or disables the timer output controlled by output compare B.

Bit 2

| OEB | Description |
|-----|---|
| 0 | Output compare B output is disabled (initial value) |
| 1 | Output compare B output is enabled |

Bit 1: Output level A (OLVLA)

Bit 1 selects the output level that is output at pin FTOA by compare match A (when FRC matches OCRA).

Bit 1

| OLVLA | Description |
|-------|---------------------------|
| 0 | Low level (initial value) |
| 1 | High level |

Bit 0: Output level B (OLVLB)

Bit 0 selects the output level that is output at pin FTOB by compare match B (when FRC matches OCRB).

Bit 0

| OLVLB | Description |
|-------|---------------------------|
| 0 | Low level (initial value) |
| 1 | High level |

9.9.3 CPU Interface

FRC, OCRA, OCRB, and ICRA to ICRD are 16-bit registers, but the CPU is connected to the on-chip peripheral modules by an 8-bit data bus. When the CPU accesses these registers, it therefore uses an 8-bit temporary register (TEMP).

These registers should always be accessed 16 bits at a time. If two consecutive byte-size MOV instructions are used, the upper byte must be accessed first and the lower byte second. Data will not be transferred correctly if only the upper byte or only the lower byte is accessed.

1. Write access

Write access to the upper byte results in transfer of the upper-byte write data to TEMP. Next, write access to the lower byte results in transfer of the data in TEMP to the upper register byte, and direct transfer of the lower-byte write data to the lower register byte.

Figure 9-9-3 shows an example of the writing of H'AA55 to FRC.

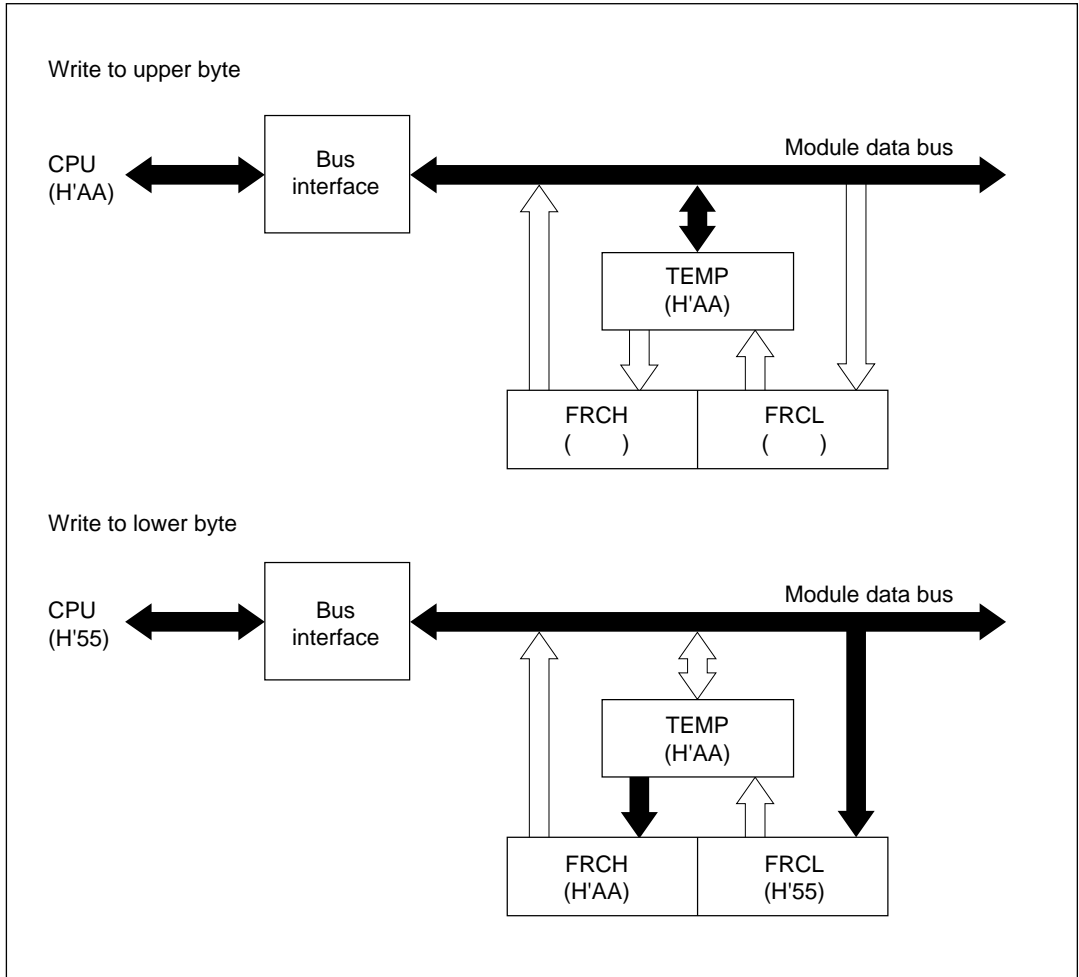


Figure 9-9-3 Write Access to FRC (CPU → FRC)

2. Read access

In access to FRC and ICRA to ICRD, when the upper byte is read the upper-byte data is transferred directly to the CPU and the lower-byte data is transferred to TEMP. Next, when the lower byte is read, the lower-byte data in TEMP is transferred to the CPU.

In access to OCRA or OCRB, when the upper byte is read the upper-byte data is transferred directly to the CPU, and when the lower byte is read the lower-byte data is transferred directly to the CPU.

Figure 9-9-4 shows an example of the reading of FRC when FRC contains H'A AFF.

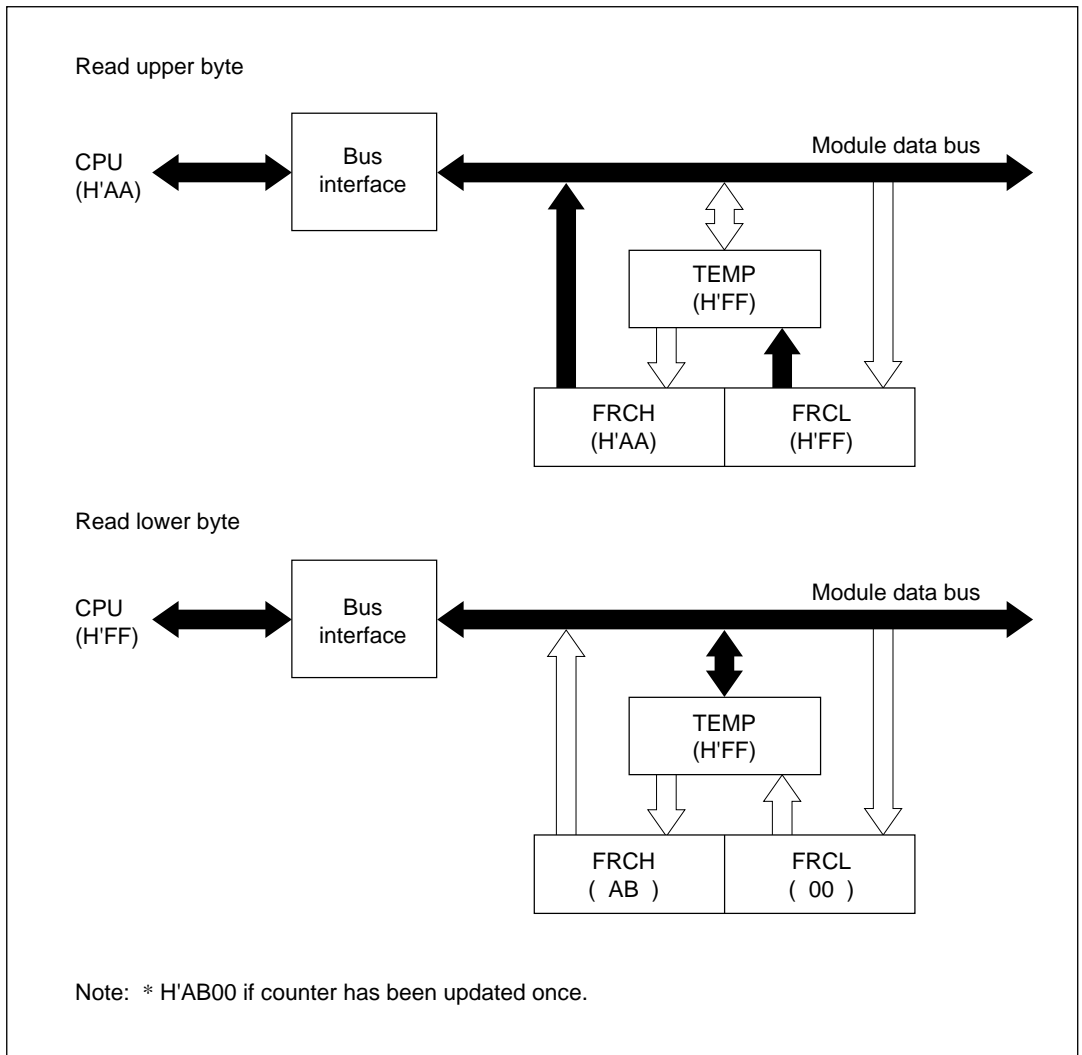


Figure 9-9-4 Read Access to FRC (FRC → CPU)

9.9.4 Timer Operation

1. Timer operation
 - Output compare operation

Following a reset, FRC is initialized to H'0000 and starts counting up. Bits CKS1 and CKS0 in TCRX can select one of three internal clock sources or an external clock for input to FRC. The FRC contents are compared constantly with OCRA and OCRB. When a match occurs, the output at pin FTOA or FTOB goes to the level selected by OLVLA or OLVLB in TOCR. Following a reset, the output at both FTOA and FTOB is 0 until the first compare match. If CCLRA is set to 1 in TCSRX, compare match A clears FRC to H'0000.

- Input capture operation

Following a reset, FRC is initialized to H'0000 and starts counting up. Bits CKS1 and CKS0 in TCRX can select one of three internal clock sources or an external clock for input to FRC. When the edges selected by bits IEDGA to IEDGD in TCRX are input at pins FTIA to FTID, the FRC value is transferred to ICRA to ICRD, and ICFA to ICFD are set in TCSRX. If bits ICIAE to ICIDE are set to 1 in TIER, a CPU interrupt is requested.

If bits BUFEA and BUFEB are set to 1 in TCRX, ICRC and ICRD operate as buffer registers for ICRA or ICRB. When the edges selected by bits IEDGA to IEDGD in TCRX are input at pins FTIA and FTIB, the FRC value is transferred to ICRA or ICRB, and the previous value in ICRA or ICRB is transferred to ICRC or ICRD. Simultaneously, ICFA or ICFB is set in TCSRX. If bit ICIAE or ICIBE is set to 1 in TIER, a CPU interrupt is requested.

2. FRC count timing

FRC is incremented by clock input. Bits CKS1 and CKS0 in TCRX can select one of three internal clock sources ($\phi/2$, $\phi/8$, $\phi/32$) or an external clock.

- Internal clock

www.DataSheet4U.com

Bits CKS1 and CKS0 in TCRX select one of three internal clock sources ($\phi/2$, $\phi/8$, $\phi/32$) created by dividing the system clock (ϕ). Figure 9-9-5 shows the increment timing.

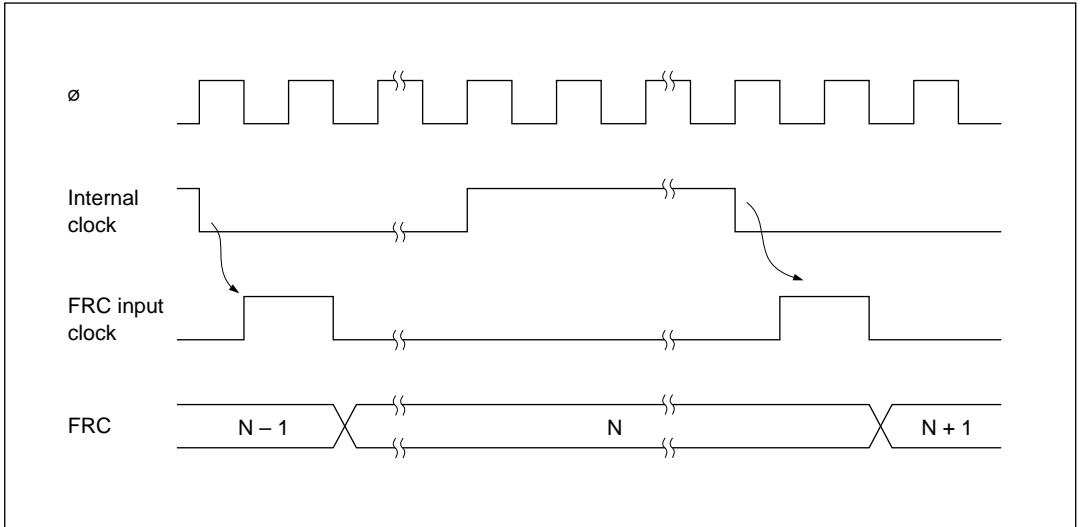


Figure 9-9-5 Increment Timing with Internal Clock

- External clock

External clock input is selected when bits CKS1 and CKS0 are both set to 1 in TCRX. FRC increments on the rising edge of the external clock. An external pulse width of at least 1.5 system clocks (ϕ) is necessary. Shorter pulses will not be counted correctly. Figure 9-9-6 shows the timing.

www.DataSheet4U.com

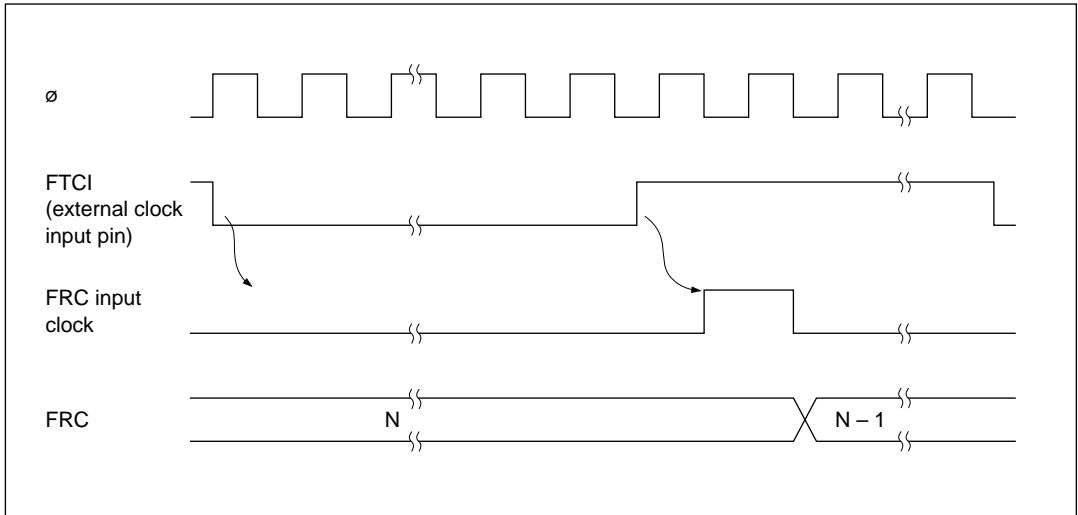


Figure 9-9-6 Increment Timing with External Clock

3. Output compare timing

When a compare match occurs, the output level selected by the OLVL bit in TOCR is output at pin FTOA or FTOB. Figure 9-9-7 shows the output timing for output compare A.

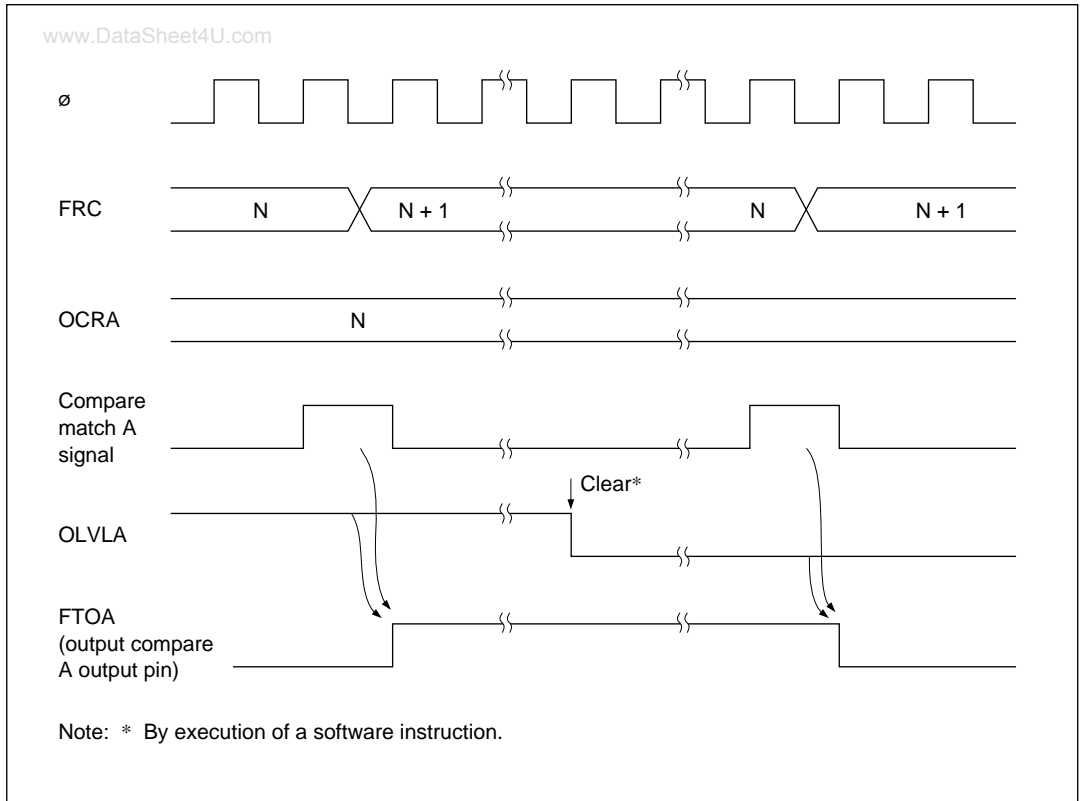


Figure 9-9-7 Output Compare A Output Timing

4. FRC clear timing

FRC can be cleared by compare match A. Figure 9-9-8 shows the timing.

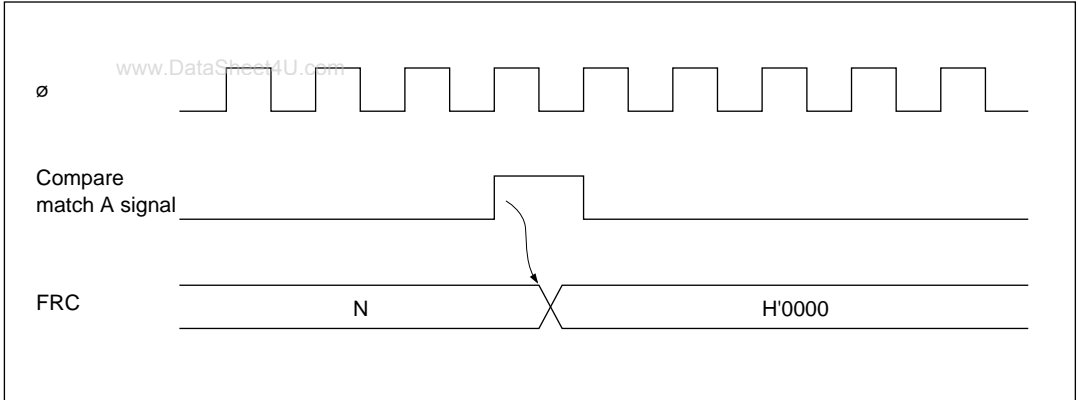


Figure 9-9-8 Clear Timing by Compare Match A

5. Input capture timing

- Input capture timing

The rising or falling edge is selected for input capture by bits IEDGA to IEDGD in TCRX. Figure 9-9-9 shows the timing when the rising edge is selected (IEDGA/B/C/D = 1).

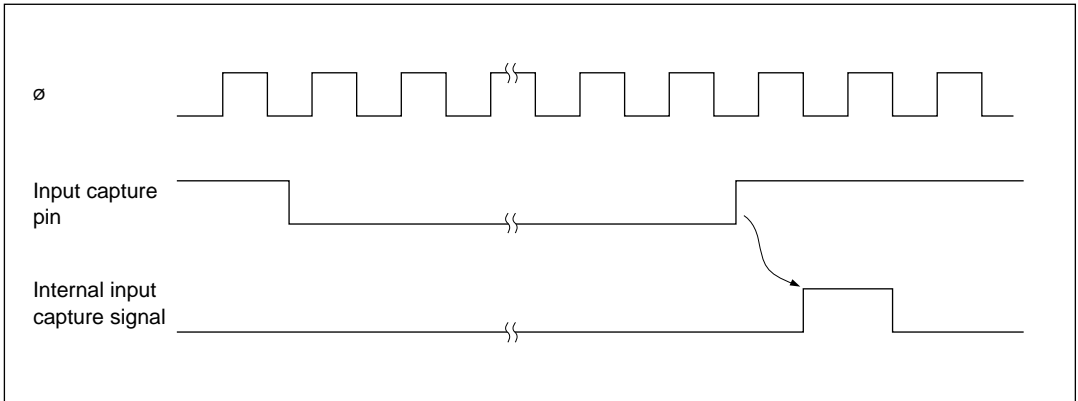


Figure 9-9-9 Input Capture Signal Timing (Normal Case)

If the input at the input capture pin occurs while the upper byte of the corresponding input capture register (ICRA to ICRD) is being read, the internal input capture signal is delayed by one system clock (ϕ). Figure 9-9-10 shows the timing.

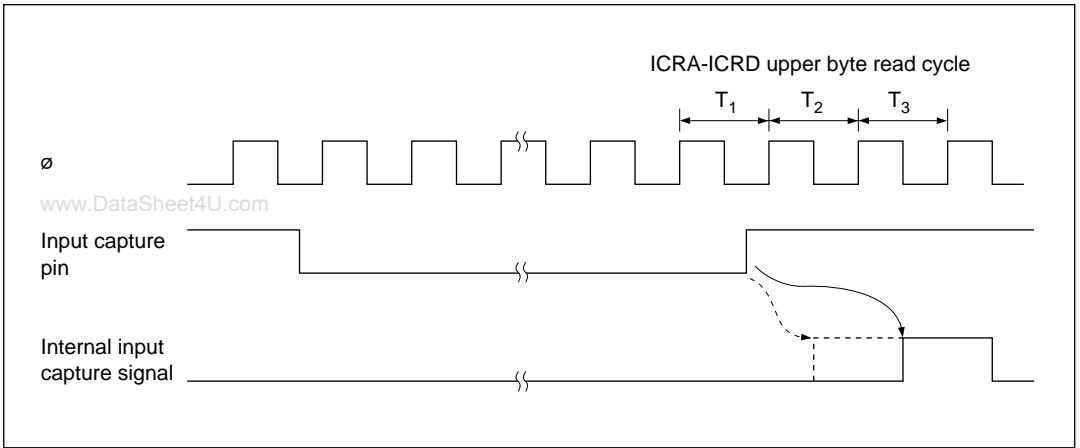


Figure 9-9-10 Input Capture Signal Timing (during ICRA-ICRD Read)

- Buffered input capture timing

Input capture can be buffered by using ICRC or ICRD as a buffer for ICRA or ICRB.

Figure 9-9-11 shows the timing when ICRA is buffered by ICRC (BUFEA = 1) and both the rising and falling edges are selected (IEDGA = 1 and IEDGC = 0, or IEDGA = 0 and IEDGC = 1).

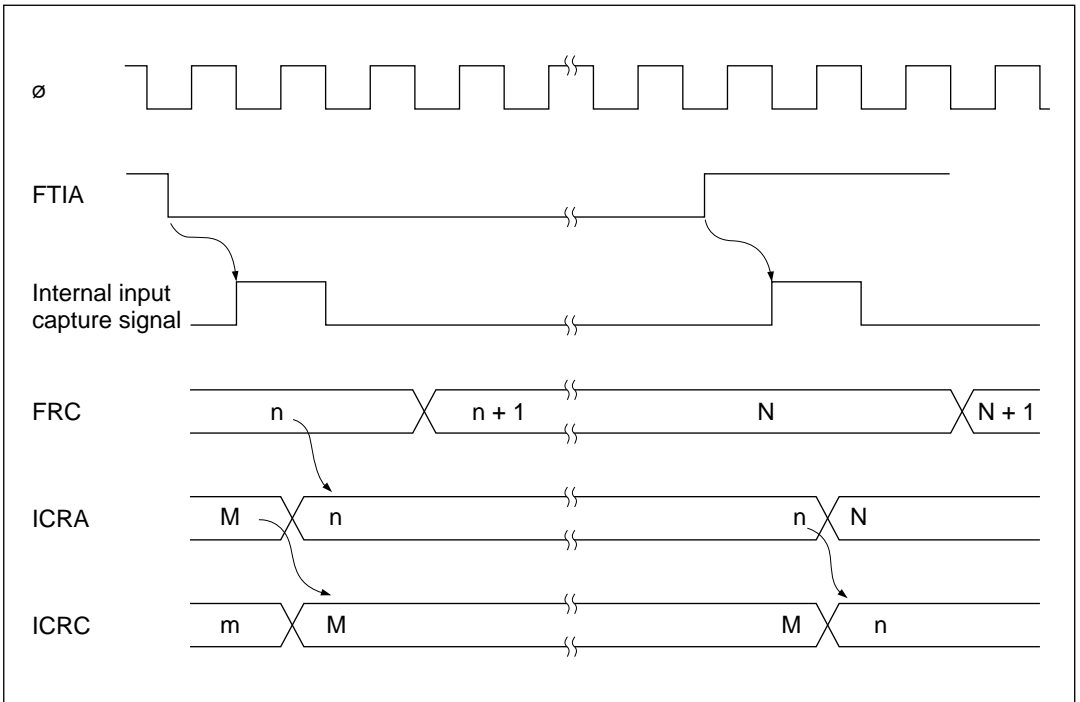


Figure 9-9-11 Buffered Input Capture Timing (Normal Case)

When ICRC or ICRD is used as a buffer register, the input capture flag is still set by the selected edge of the input capture input signal. For example, if ICRC is used to buffer ICRA, when the edge transition selected by the IEDGC bit occurs at the input capture pin, ICF will be set, and if the ICIEC bit is set to 1, an interrupt will be requested. The FRC value will not be transferred to ICRC, however.

In buffered operation, if the upper byte of one of the two registers that receives a data transfer (ICRA and ICRC, or ICRB and ICRD) is being read when an internal input capture signal would normally occur, the internal input capture signal will be delayed by one system clock (ϕ). Figure 9-9-12 shows the case when BUFEA = 1.

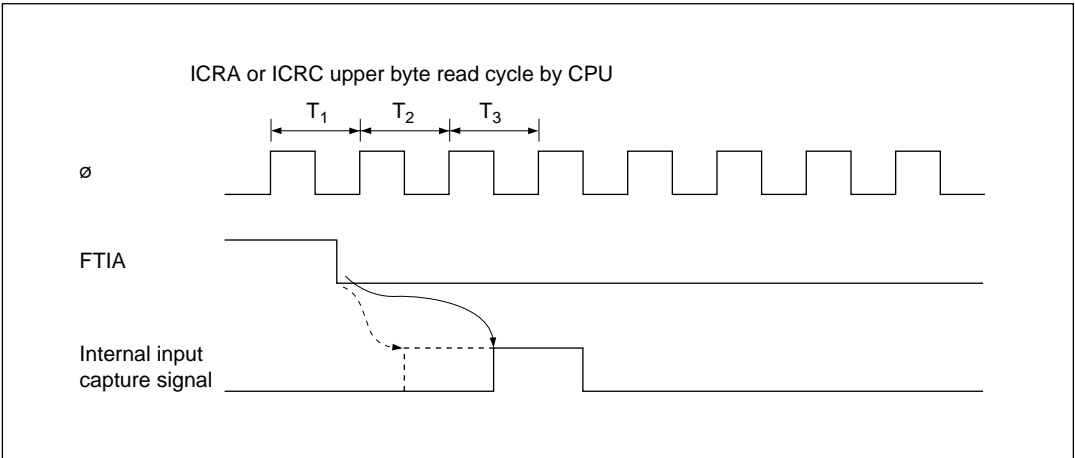


Figure 9-9-12 Buffered Input Capture Signal Timing (during ICRA or ICRC Read)

6. Input capture flag (ICFA to ICFD) set timing

Figure 9-9-13 shows the timing when an input capture flag (ICFA to ICFD) is set to 1 and the FRC value is transferred to the corresponding input capture register (ICRA to ICRD).

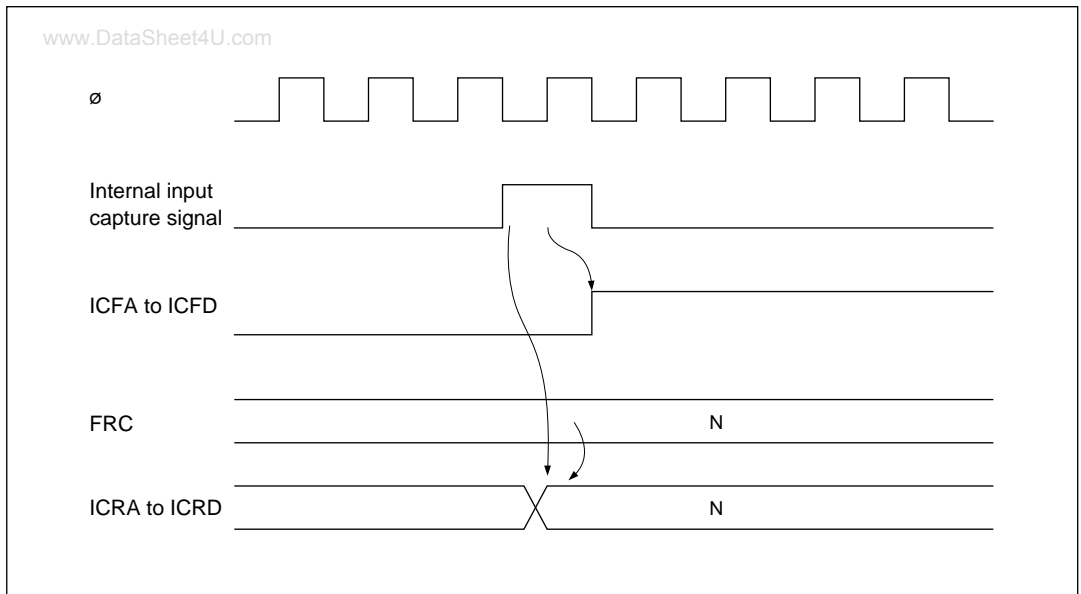


Figure 9-9-13 ICFA to ICFD Set Timing

7. Output compare flag (OCFA or OCFB) set timing

OCFA and OCFB are set to 1 by internal compare match signals that are output when FRC matches OCRA or OCRB. The compare match signal is generated in the last state during which the values match (when FRC is updated from the matching value to a new value). When FRC matches OCRA or OCRB, the compare match signal is not generated until the next counter clock. Figure 9-9-14 shows the OCFA and OCFB set timing.

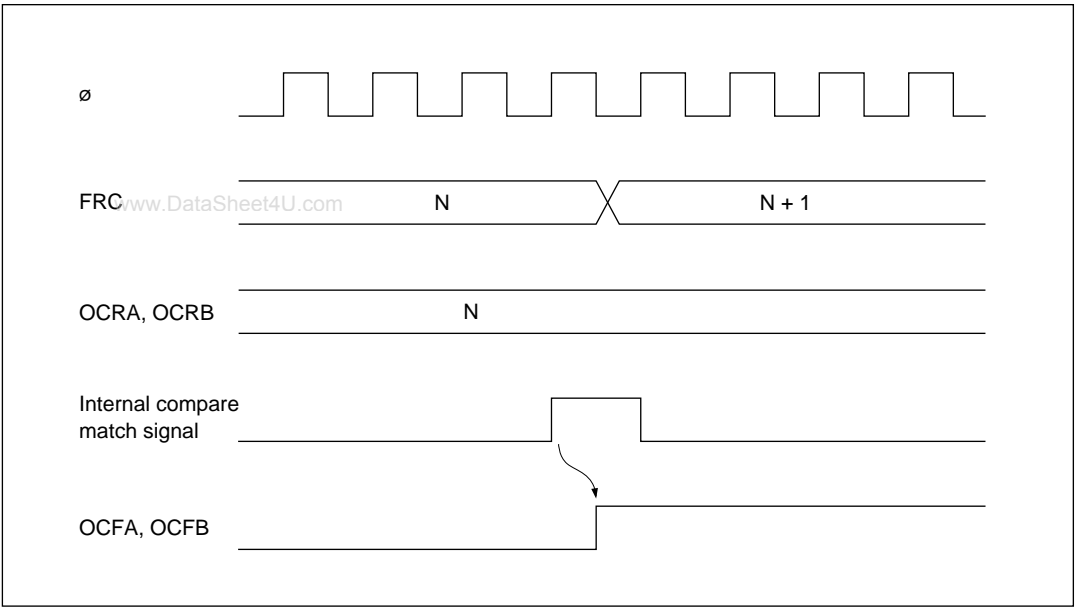


Figure 9-9-14 OCFA and OCFB Set Timing

8. Overflow flag (OVF) set timing

OVF is set to 1 when FRC overflows from H'FFFF to H'0000. Figure 9-9-15 shows the timing.

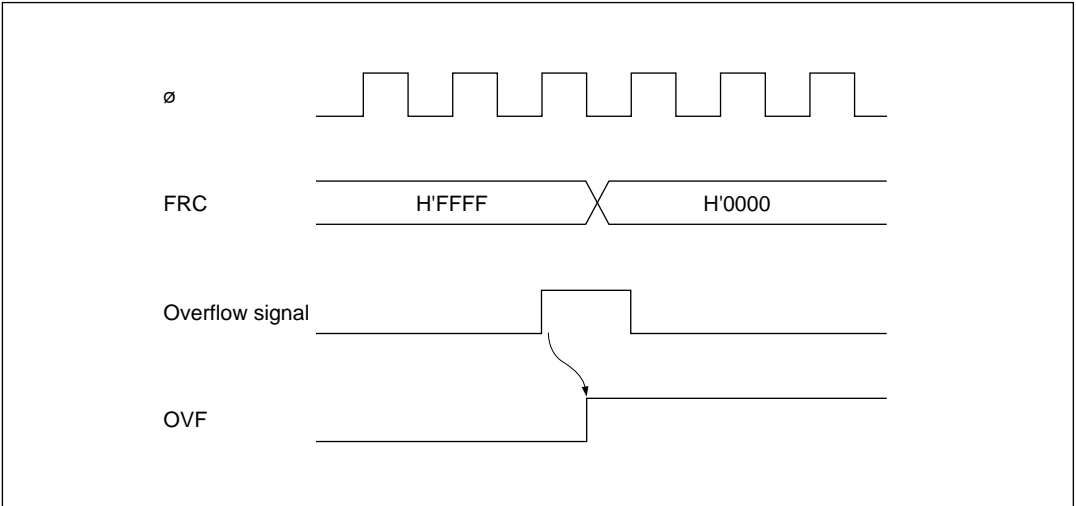


Figure 9-9-15 OVF Set Timing

9.9.5 Timer X Operation Modes

Figure 9-9-4 shows the timer X operation modes.

Table 9-9-4 Timer X Operation Modes

| Operation Mode | Reset | Active | Sleep | Watch | Sub-active | Sub-sleep | Standby |
|----------------|-------|-----------|-----------|-------|------------|-----------|---------|
| FRC | Reset | Functions | Functions | Reset | Reset | Reset | Reset |
| OCRA, OCRB | Reset | Functions | Functions | Reset | Reset | Reset | Reset |
| ICRA to ICRD | Reset | Functions | Functions | Reset | Reset | Reset | Reset |
| TIER | Reset | Functions | Functions | Reset | Reset | Reset | Reset |
| TCRX | Reset | Functions | Functions | Reset | Reset | Reset | Reset |
| TOCR | Reset | Functions | Functions | Reset | Reset | Reset | Reset |
| TCSRX | Reset | Functions | Functions | Reset | Reset | Reset | Reset |

9.9.6 Interrupt Sources

Timer X has three types of interrupts and seven interrupt sources: ICIA to ICID, OCIA, OCIB, and FOVI. Table 9-9-5 lists the sources of interrupt requests. Each interrupt source can be enabled or disabled by an interrupt enable bit in TIER. Although all seven interrupts share the same vector, they have individual interrupt flags, so software can discriminate the interrupt source.

Table 9-9-5 Timer X Interrupt Sources

| Interrupt | Description | Vector Address |
|-----------|-----------------------------|----------------|
| ICIA | Interrupt requested by ICFA | H'0020 |
| ICIB | Interrupt requested by ICFB | |
| ICIC | Interrupt requested by ICFC | |
| ICID | Interrupt requested by ICFD | |
| OCIA | Interrupt requested by OCFA | |
| OCIB | Interrupt requested by OCFB | |
| FOVI | Interrupt requested by OVF | |

9.9.7 Timer X Application Example

Figure 9-9-16 shows an example of the output of pulse signals with a 50% duty cycle and arbitrary phase offset. To set up this output:

- Set bit CCLRA to 1 in TCSRX.
- Have software invert the OLVLA and OLVLB bits at each corresponding compare match.

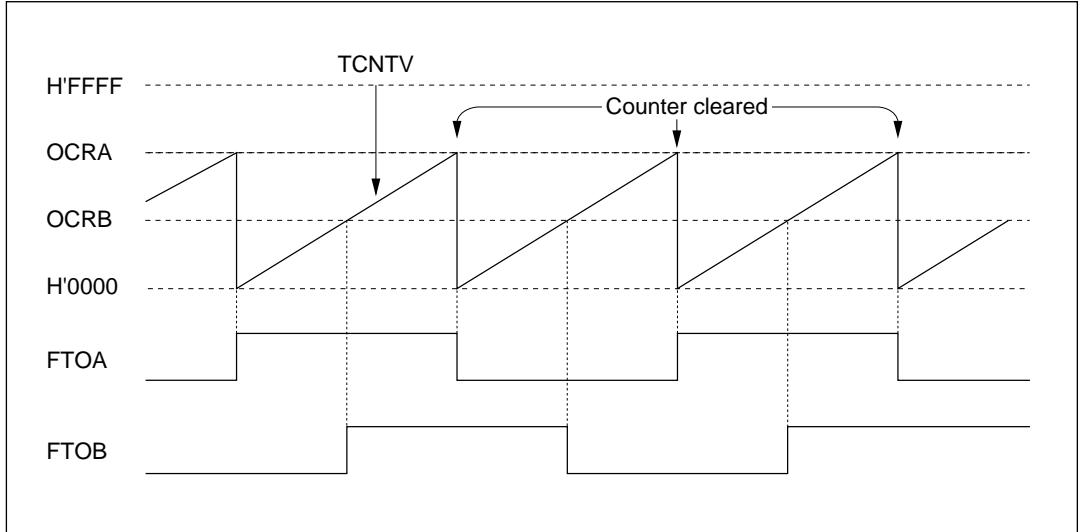


Figure 9-9-16 Pulse Output Example

9.9.8 Application Notes

The following types of contention can occur in timer X operation.

1. Contention between FRC write and counter clear

If an FRC clear signal is generated in the T_3 state of a write cycle to the lower byte of FRC, clearing takes precedence and the write to the counter is not carried out. Figure 9-9-17 shows the timing.

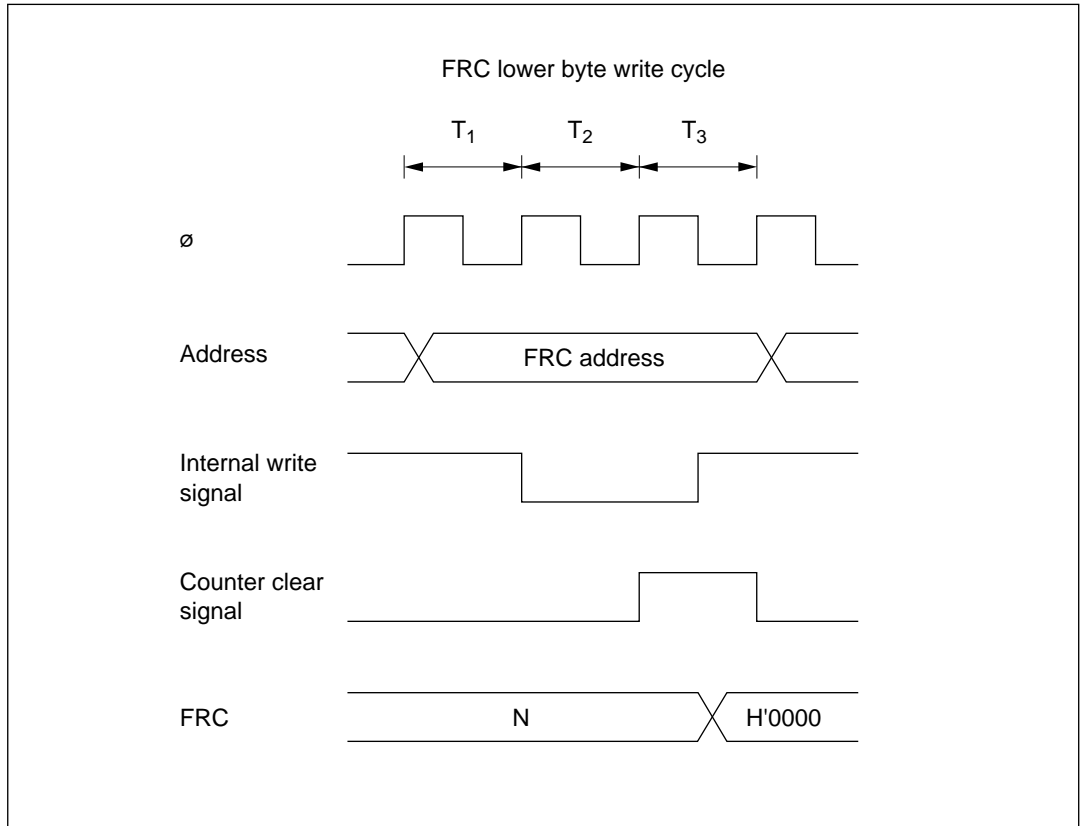


Figure 9-9-17 Contention between FRC Write and Clear

2. Contention between FRC write and increment

If an FRC increment clock signal is generated in the T_3 state of a write cycle to the lower byte of FRC, the write takes precedence and the counter is not incremented. Figure 9-9-18 shows the timing.

www.DataSheet4U.com

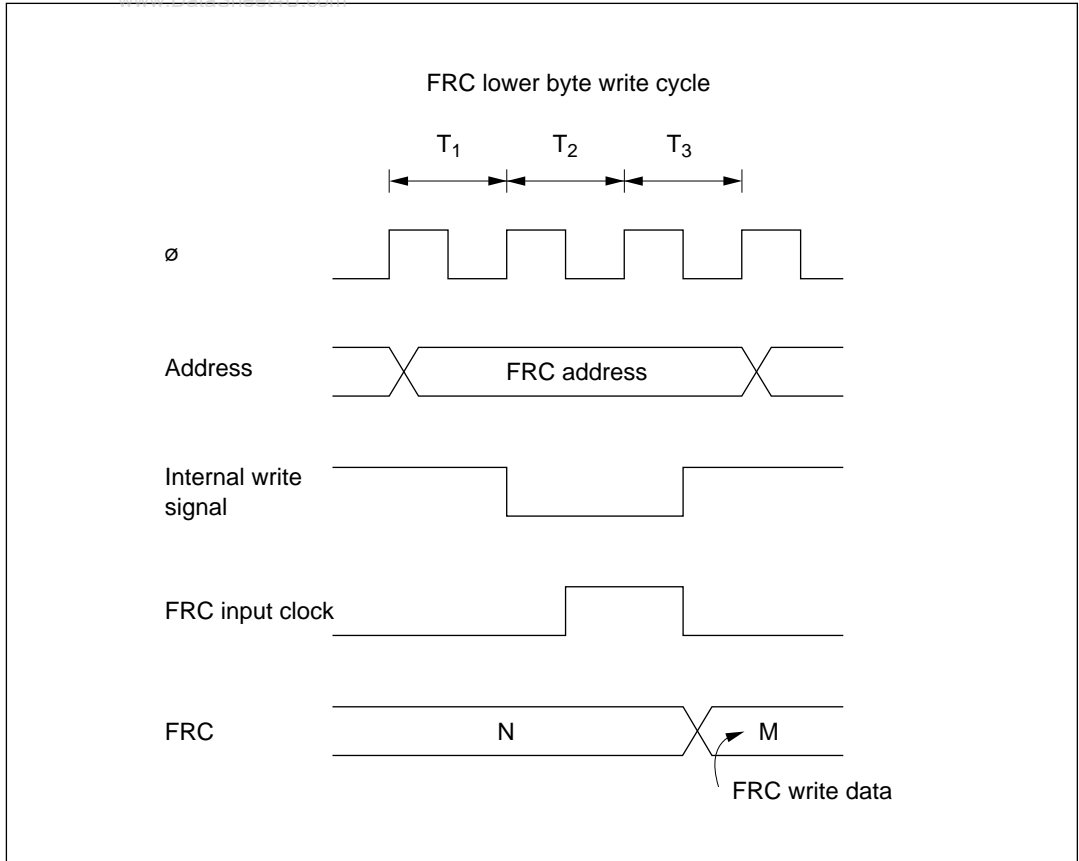


Figure 9-9-18 Contention between FRC Write and Increment

3. Contention between OCR write and compare match

If a compare match is generated in the T_3 state of a write cycle to the lower byte of OCRA or OCRB, the write to OCRA or OCRB takes precedence and the compare match signal is inhibited. Figure 9-9-19 shows the timing.

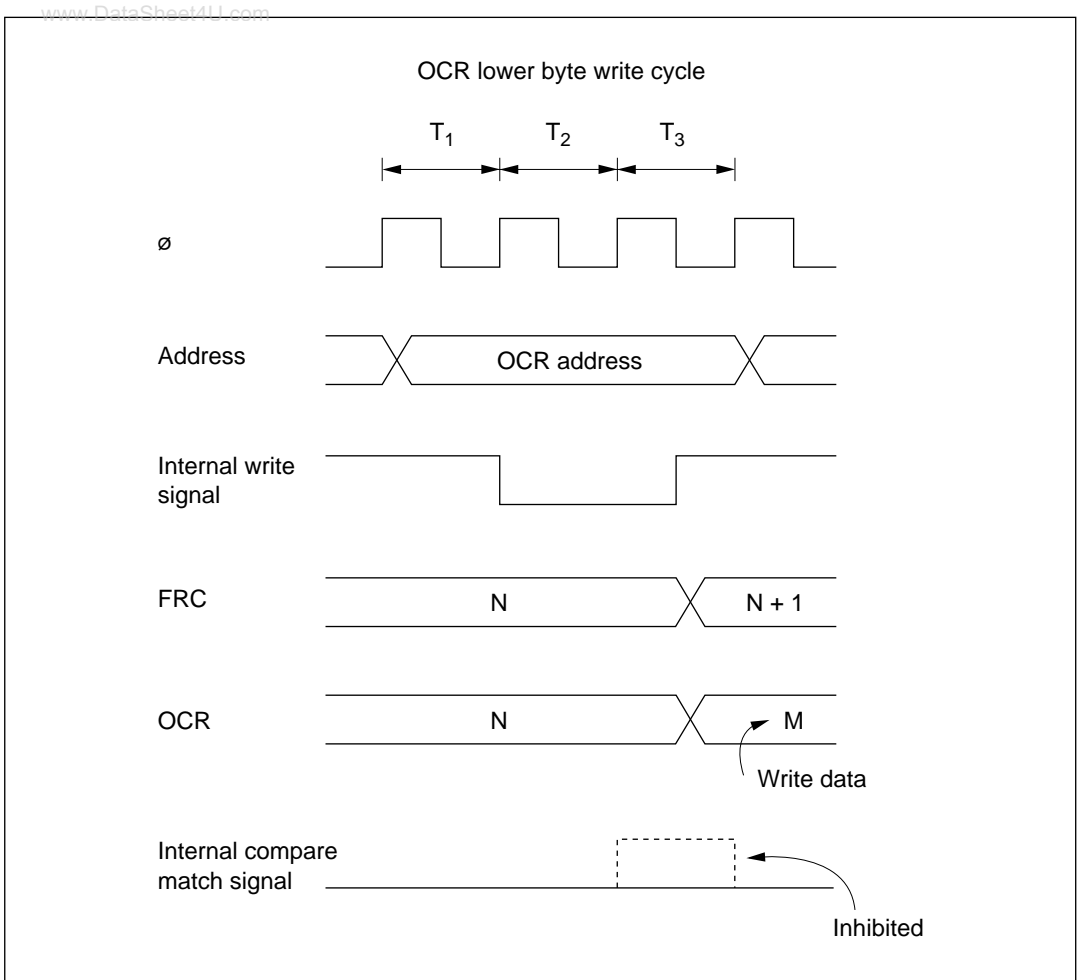


Figure 9-9-19 Contention between OCR Write and Compare Match

4. Internal clock switching and counter operation

Depending on the timing, FRC may be incremented by a switch between different internal clock sources. Table 9-9-6 shows the relation between internal clock switchover timing (by writing to bits CKS1 and CKS0) and FRC operation.

When FRC is internally clocked, an increment pulse is generated from the falling edge of an internal clock signal, which is divided from the system clock (ϕ). For this reason, in a case like No. 3 in table 9-9-6 where the switch is from a high clock signal to a low clock signal, the switchover is seen as a falling edge, causing FRC to increment.

FRC can also be incremented by a switch between internal and external clocks.

Table 9-9-6 Internal Clock Switching and FRC Operation

| No. | Clock Levels Before and After Modifying Bits CKS1 and CKS0 | FRC Operation |
|-----|--|---|
| 1 | Goes from low level to low level | <p style="text-align: center;">Write to CKS1 and CKS0</p> |
| 2 | Goes from low to high | <p style="text-align: center;">Write to CKS1 and CKS0</p> |

Table 9-9-6 Internal Clock Switching and FRC Operation (cont)

| No. | Clock Levels Before and After Modifying Bits CKS1 and CKS0 | FRC Operation |
|-----|--|-------------------------------|
| 3 | Goes from high level to low level <small>www.lowlevel4U.com</small> | <p>Write to CKS1 and CKS0</p> |
| 4 | Goes from high to high | <p>Write to CKS1 and CKS0</p> |

Note: * The switchover is seen as a falling edge, and FRC is incremented.

9.10 Timer Y

9.10.1 Overview

Timer Y is a 16-bit up-counter that increments each time a clock pulse is input. This timer has two operation modes, interval and auto reload.

www.DataSheet4U.com

1. Features

Features of timer Y are given below.

- Choice of seven internal clock sources ($\phi/8192$, $\phi/2048$, $\phi/512$, $\phi/256$, $\phi/64$, $\phi/16$, $\phi/4$) or an external clock (can be used as an external event counter).
- An interrupt is requested when the counter overflows.

2. Block diagram

Figure 9-10-1 shows a block diagram of timer Y.

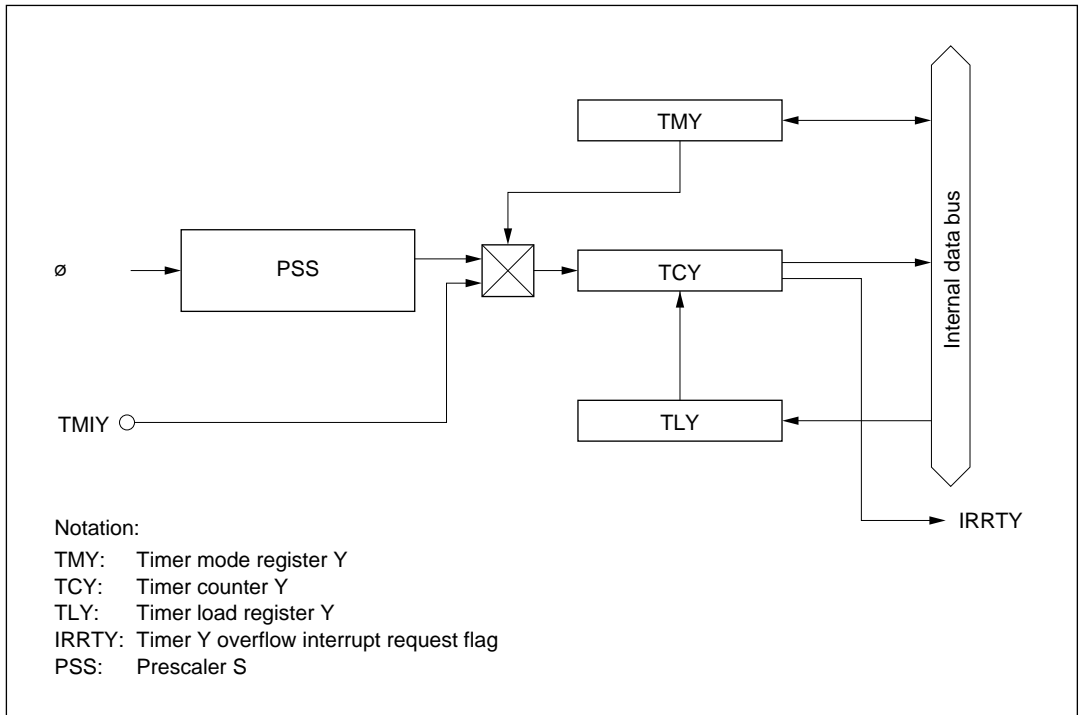


Figure 9-10-1 Timer Y Block Diagram

3. Pin configuration

Table 9-10-1 shows the timer Y pin configuration.

Table 9-10-1 Pin Configuration

| Name | Abbrev. | I/O | Function |
|---------------------|---------|-------|--------------------|
| Timer Y event input | TMIY | Input | Event input to TCY |

4. Register configuration

Table 9-10-2 shows the register configuration of timer Y.

Table 9-10-2 Timer Y Registers

| Name | Abbrev. | R/W | Initial Value | Address |
|------------------------|---------|-----|---------------|---------|
| Timer mode register Y | TMY | R/W | H'78 | H'FFCD |
| Timer counter YH | TCYH | R | H'00 | H'FFCE |
| Timer counter YL | TCYL | R | H'00 | H'FFCF |
| Timer load register YH | TLYH | W | H'00 | H'FFCE |
| Timer load register YL | TLYL | W | H'00 | H'FFCF |

9.10.2 Register Descriptions

1. Timer mode register Y (TMY)

| | | | | | | | | |
|---------------|------|---|---|---|---|------|------|------|
| Bit | 7 | 6 | 5 | 4 | 3 | 2 | 1 | 0 |
| | TMY7 | — | — | — | — | TMY2 | TMY1 | TMY0 |
| Initial value | 0 | 1 | 1 | 1 | 1 | 0 | 0 | 0 |
| Read/Write | R/W | — | — | — | — | R/W | R/W | R/W |

TMY is an 8-bit read/write register for selecting the auto-reload function and input clock.

Upon reset, TMY is initialized to H'78.

Bit 7: Auto-reload function select (TMY7)

Bit 7 selects whether timer Y is used as an interval timer or auto-reload timer.

| Bit 7 TMY7 | Description |
|---------------|--|
| 0 | Interval timer function selected (initial value) |
| 1 | Auto-reload function selected |

Bits 6 to 3: Reserved bits

Bits 6 to 3 are reserved; they are always read as 1, and cannot be modified.

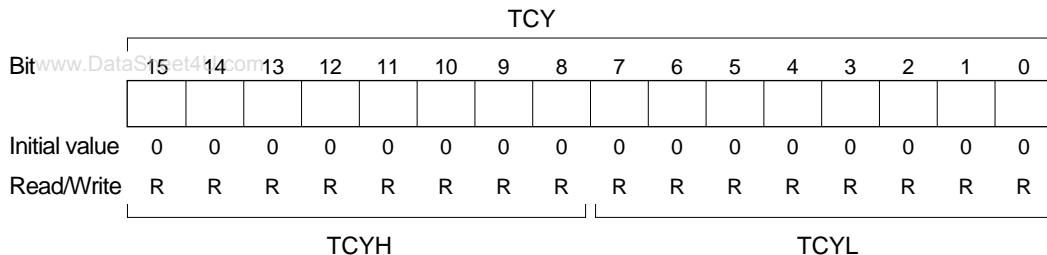
Bits 2 to 0: Clock select (TMY2 to TMY0)

Bits 2 to 0 select the clock input to TCY.

| Bit 2 TMY2 | Bit 1 TMY1 | Bit 0 TMY0 | Description |
|---------------|---------------|---------------|--|
| 0 | 0 | 0 | Internal clock: $\varnothing/8192$ (initial value) |
| 0 | 0 | 1 | Internal clock: $\varnothing/2048$ |
| 0 | 1 | 0 | Internal clock: $\varnothing/512$ |
| 0 | 1 | 1 | Internal clock: $\varnothing/256$ |
| 1 | 0 | 0 | Internal clock: $\varnothing/64$ |
| 1 | 0 | 1 | Internal clock: $\varnothing/16$ |
| 1 | 1 | 0 | Internal clock: $\varnothing/4$ |
| 1 | 1 | 1 | External event (TMIY), rising or falling edge* |

Note: * The edge of the external event signal is selected by bit INTEG7 in interrupt edge select register 2 (IEGR2). See 3.3.2 (2), Interrupt Edge Select Register 2 (IEGR2), for details.

- 2. Timer counter Y (TCY)
 - Timer counter YH (TCYH)
 - Timer counter YL (TCYL)



TCY is a 16-bit read-only up-counter, which is incremented by internal or external clock input. The clock source for input to this counter is selected by bits TMY2 to TMY0 in timer mode register Y (TMY).

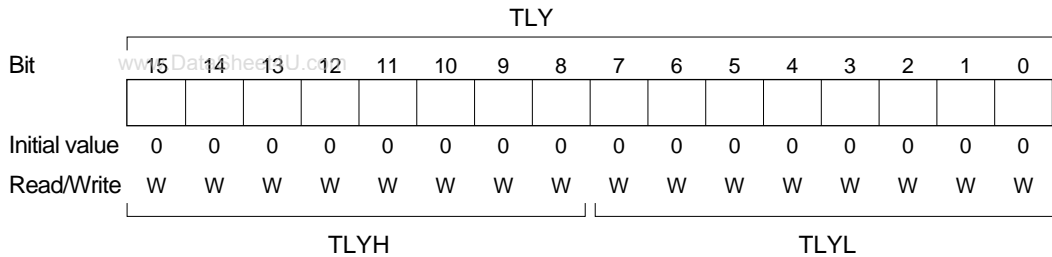
When TCY overflows from H'FFFF to H'0000 or to the value set in TLY, the IRRTY bit in IRR1 is set to 1.

TCY can always be read by the CPU. Since TCY has 16 bits, data is transferred between the CPU and TCY via a temporary register (TEMP). For details see 9.10.3, CPU Interface.

TCY is allocated to the same address as TLY.

Upon reset, TCY is initialized to H'0000.

- 3. Timer load register Y (TLY)
 - Timer load register YH (TLYH)
 - Timer load register YL (TLYL)



TLY is a 16-bit write-only register for setting the reload value of TCY.

When a reload value is set in TLY, the same value is loaded into TCY as well, and TCY starts counting up from that value. When TCY overflows during operation in auto-reload mode, the TLY value is loaded into TCY. Accordingly, overflow periods can be set within the range of 1 to 65536 input clocks.

The same address is allocated to TLY as to TCY.

Upon reset, TLY is initialized to H'0000.

9.10.3 CPU Interface

TCY and TLY are 16-bit registers, but the CPU is connected to the on-chip peripheral modules by an 8-bit data bus. When the CPU accesses these registers, it therefore uses an 8-bit temporary register (TEMP).

These registers should always be accessed 16 bits at a time. If two consecutive byte-size MOV instructions are used, the upper byte must be accessed first and the lower byte second. Data will not be transferred correctly if only the upper byte or only the lower byte is accessed.

1. Write access

Write access to the upper byte results in transfer of the upper-byte write data to TEMP. Next, write access to the lower byte results in transfer of the data in TEMP to the upper register byte, and direct transfer of the lower-byte write data to the lower register byte.

Figure 9-10-2 shows an example of the writing of H'AA55 to TLY.

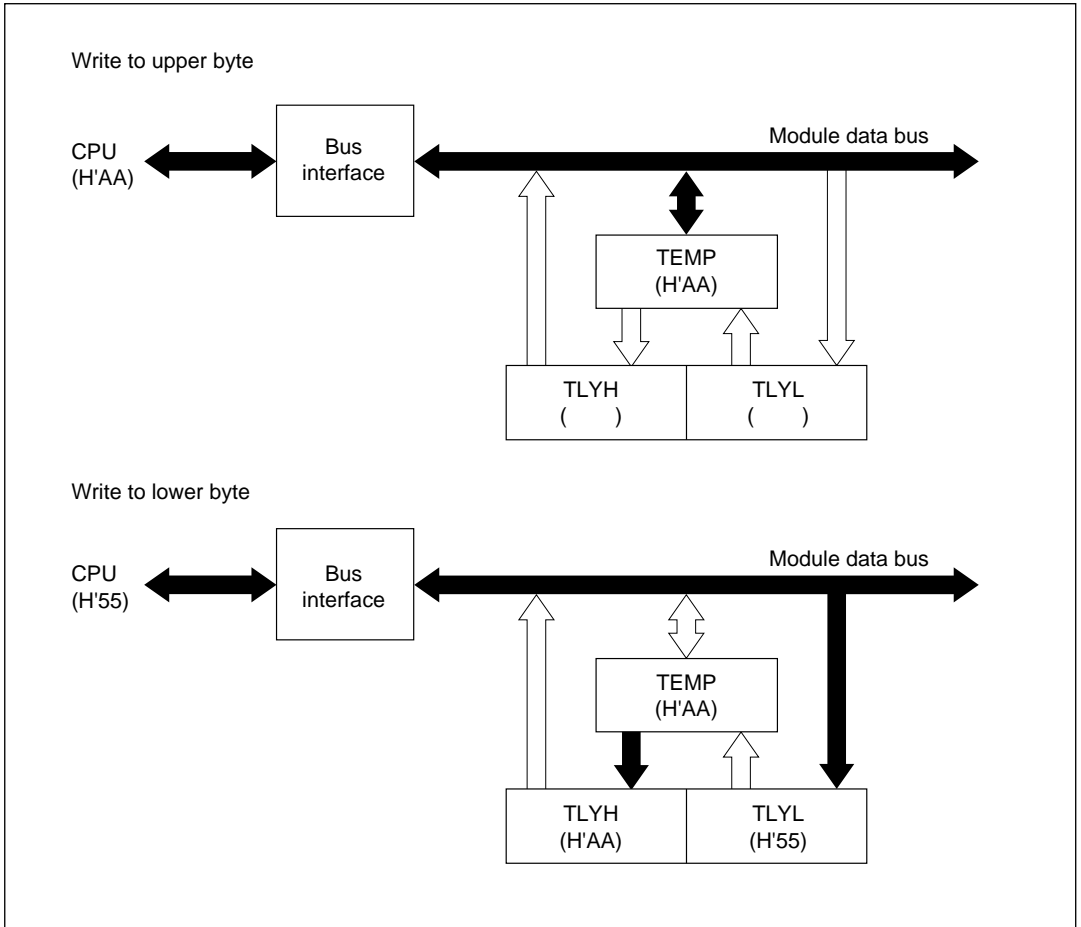


Figure 9-10-2 Write Access to TLY (CPU → TLY)

2. Read access

When the upper byte is read the upper-byte data is transferred directly to the CPU and the lower-byte data is transferred to TEMP. Next, when the lower byte is read, the lower-byte data in TEMP is transferred to the CPU.

Figure 9-10-3 shows an example of the reading of TCY when TCY contains H'AAFF.

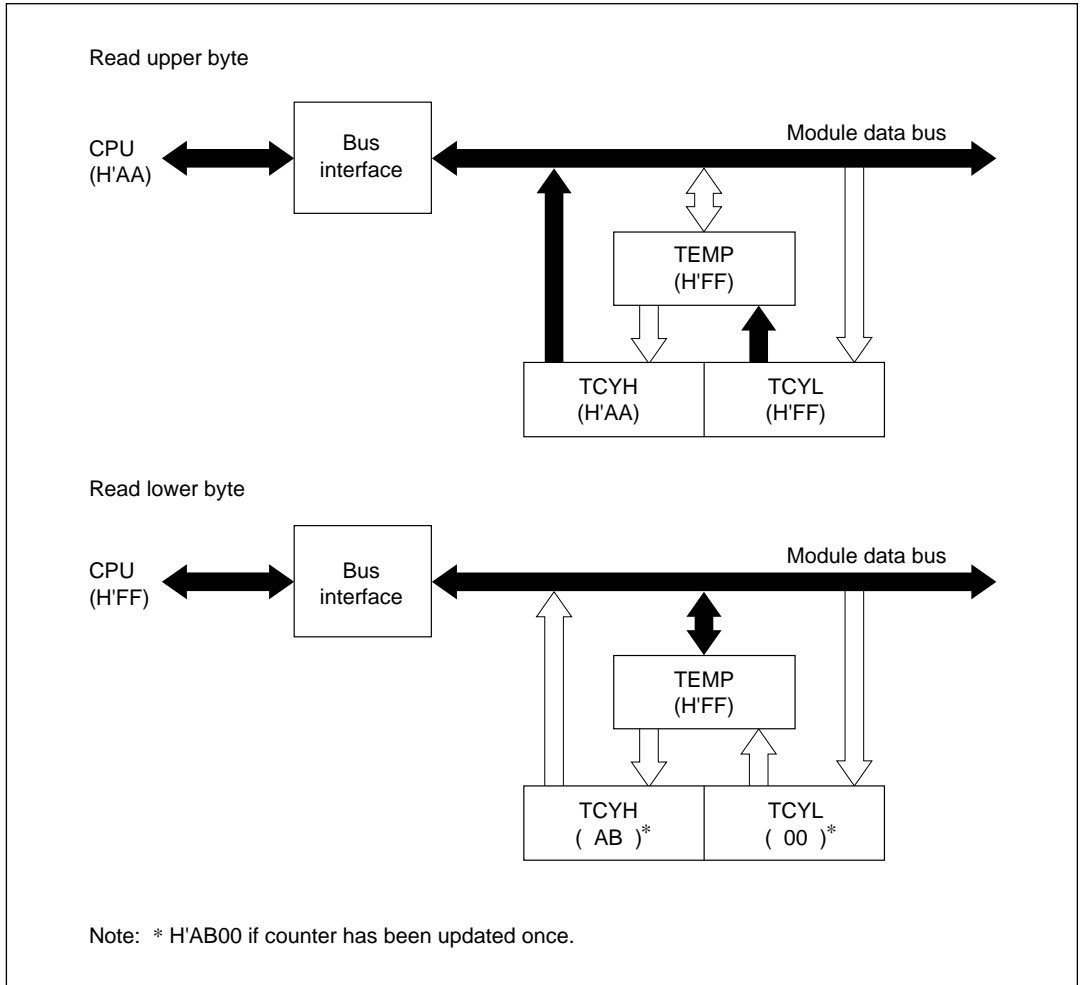


Figure 9-10-3 Read Access to TCY (TCY → CPU)

9.10.4 Timer Operation

1. Interval timer operation

When bit TMY7 in timer mode register Y (TMY) is cleared to 0, timer Y functions as a 16-bit interval timer.

www.DataSheet4U.com

Upon reset, TCY is cleared to H'0000 and bit TMY7 is cleared to 0, so up-counting and interval timing resume immediately. The clock input to timer Y is selected from seven internal clock signals output by prescaler S or an external clock input at the TMIY pin. The selection is made by bits TMY2 to TMY0 of TMY.

After the count value in TCY reaches H'FFFF, the next clock signal input causes timer Y to overflow, setting bit IRRTY to 1 in interrupt request register 1 (IRR1). If IENTY = 1 in interrupt enable register 1 (IENR1), a CPU interrupt is requested.*

At overflow, TCY returns to H'0000 and starts counting up again.

During interval timer operation, when a value is set in TLY, the same value is set in TCY.

Note: * For details on interrupts, see 3.3, Interrupts.

2. Auto-reload timer operation

Setting bit TMY7 in TMY to 1 causes timer Y to function as a 16-bit auto-reload timer. When a reload value is set in TLY, the same value is loaded into TCY, becoming the value from which TCY starts its count.

After the count value in TCY reaches H'FFFF, the next clock signal input causes timer Y to overflow. The TLY value is then loaded into TCY, and the count continues from that value. The overflow period can be set within a range from 1 to 65536 input clocks, depending on the TLY value.

The clock sources and interrupts in auto-reload mode are the same as in interval mode.

In auto-reload mode, when a new value is set in TLY, the TLY value is also set in TCY.

3. Event counter operation

Timer Y can operate as an event counter, counting rising or falling edges of an event signal input at pin TMIY. External event counting is selected by setting bits TMY2 to TMY0 in timer mode register Y to 111.

When timer Y is used to count external event input, bit INTEN7 in IENR3 should be cleared to 0 to disable INT₇ interrupt requests.

9.10.5 Timer Y Operation States

Table 9-10-3 summarizes the timer Y operation states.

Table 9-10-3 Timer Y Operation States

| Operation Mode | Reset | Active | Sleep | Watch | Sub-active | Sub-sleep | Standby |
|-----------------------|--------------|---------------|--------------|--------------|-------------------|------------------|----------------|
| TCY | Interval | Reset | Functions | Functions | Halted | Halted | Halted |
| | Auto reload | Reset | Functions | Functions | Halted | Halted | Halted |
| TMY | Reset | Functions | Retained | Retained | Retained | Retained | Retained |

9.11 Watchdog Timer

9.11.1 Overview

The watchdog timer has an 8-bit counter that is incremented by an input clock. If a system runaway allows the counter value to overflow before being rewritten, the watchdog timer can reset the chip internally.

1. Features

Features of the watchdog timer are given below.

- Incremented by internal clock source ($\phi/8192$).
- A reset signal is generated when the counter overflows. The overflow period can be set from from 1 to 256 times $8192/\phi$ (from approximately 2 ms to 500 ms when $\phi = 4.19$ MHz).

2. Block diagram

Figure 9-11-1 shows a block diagram of the watchdog timer.

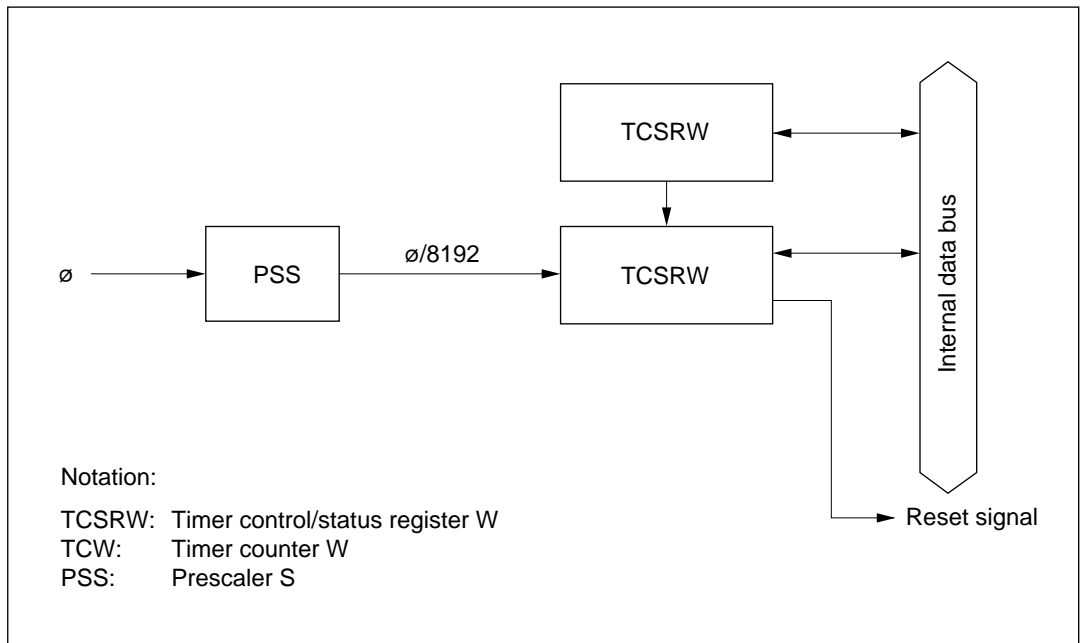


Figure 9-11-1 Block Diagram of Watchdog Timer

3. Register configuration

Table 9-11-1 shows the register configuration of the watchdog timer.

Table 9-11-1 Watchdog Timer Registers

| Name | Abbrev. | R/W | Initial Value | Address |
|---------------------------------|---------|-----|---------------|---------|
| Timer control/status register W | TCSRW | R/W | H'AA | H'FFBE |
| Timer counter W | TCW | R/W | H'00 | H'FFBF |

9.11.2 Register Descriptions

1. Timer control/status register W (TCSRW)

| Bit | 7 | 6 | 5 | 4 | 3 | 2 | 1 | 0 |
|---------------|------|------|------|--------|------|------|------|------|
| | B6WI | TCWE | B4WI | TCSRWE | B2WI | WDON | B0WI | WRST |
| Initial value | 1 | 0 | 1 | 0 | 1 | 0 | 1 | 0 |
| Read/Write | R | R/W* | R | R/W* | R | R/W* | R | R/W* |

Note: * Write is permitted only under certain conditions, which are given in the descriptions of the individual bits.

TCSRW is an 8-bit read/write register that controls write access to TCW and TCSRW itself, controls watchdog timer operations, and indicates operating status.

Upon reset, TCSRW is initialized to H'AA.

Bit 7: Bit 6 write inhibit (B6WI)

Bit 7 controls the writing of data to bit 6 in TCSRW.

Bit 7

| B6WI | Description |
|------|--|
| 0 | Bit 6 is write-enabled |
| 1 | Bit 6 is write-protected (initial value) |

This bit is always read as 1. Data written to this bit is not stored.

Bit 6: Timer counter W write enable (TCWE)

Bit 6 controls the writing of data to TCW.

Bit 6

| TCWE | Description | |
|------|-------------------------------|-----------------|
| 0 | Data cannot be written to TCW | (initial value) |
| 1 | Data can be written to TCW | |

Bit 5: Bit 4 write inhibit (B4WI)

Bit 5 controls the writing of data to bit 4 in TCSRW.

Bit 5

| B4WI | Description | |
|------|--------------------------|-----------------|
| 0 | Bit 4 is write-enabled | (initial value) |
| 1 | Bit 4 is write-protected | |

This bit is always read as 1. Data written to this bit is not stored.

Bit 4: Timer control/status register W write enable (TCSRWE)

Bit 4 controls the writing of data to TCSRW bits 2 and 0.

Bit 4

| TCSRWE | Description | |
|--------|--|-----------------|
| 0 | Data cannot be written to bits 2 and 0 | (initial value) |
| 1 | Data can be written to bits 2 and 0 | |

Bit 3: Bit 2 write inhibit (B2WI)

Bit 3 controls the writing of data to bit 2 in TCSRW.

Bit 3

| B2WI | Description | |
|------|--------------------------|-----------------|
| 0 | Bit 2 is write-enabled | |
| 1 | Bit 2 is write-protected | (initial value) |

This bit is always read as 1. Data written to this bit is not stored.

Bit 2: Watchdog timer on (WDON)

Bit 2 enables watchdog timer operation.

Bit 2

| WDON | Description | |
|-------------|--|-----------------|
| 0 | Watchdog timer operation is disabled Clearing conditions: Reset, or when TCSRWE = 1 and 0 is written in both B2WI and WDON | (initial value) |
| 1 | Watchdog timer operation is enabled Setting conditions: When TCSRWE = 1 and 0 is written in B2WI and 1 is written in WDON | |

Counting starts when this bit is set to 1, and stops when this bit is cleared to 0.

Bit 1: Bit 0 write inhibit (B0WI)

Bit 1 controls the writing of data to bit 0 in TCSRW.

Bit 1

| B0WI | Description | |
|-------------|--------------------------|-----------------|
| 0 | Bit 0 is write-enabled | |
| 1 | Bit 0 is write-protected | (initial value) |

This bit is always read as 1. Data written to this bit is not stored.

Bit 0: Watchdog timer reset (WRST)

Bit 0 indicates that TCW has overflowed, generating a reset signal. The reset signal generated by the overflow resets the entire chip. WRST is cleared to 0 by a reset from the RES pin, or when software writes 0.

Bit 0

| WRST | Description | |
|-------------|---|-----------------|
| 0 | Clearing conditions: <ul style="list-style-type: none"> Reset by RES pin When TCSRWE = 1, and 0 is written in both B0WI and WRST | (initial value) |
| 1 | Setting conditions: When TCW overflows and a reset signal is generated | |

2. Timer counter W (TCW)

| Bit | 7 | 6 | 5 | 4 | 3 | 2 | 1 | 0 |
|---------------|------|------|------|------|------|------|------|------|
| | TCW7 | TCW6 | TCW5 | TCW4 | TCW3 | TCW2 | TCW1 | TCW0 |
| Initial value | 0 | 0 | 0 | 0 | 0 | 0 | 0 | 0 |
| Read/Write | R/W | R/W | R/W | R/W | R/W | R/W | R/W | R/W |

TCW is an 8-bit read/write up-counter, which is incremented by internal clock input. The input clock is $\phi/8192$. The TCW value can always be written or read by the CPU.

When TCW overflows from H'FF to H'00, an internal reset signal is generated and WRST is set to 1 in TCSRW. Upon reset, TCW is initialized to H'00.

9.11.3 Timer Operation

The watchdog timer has an 8-bit counter (TCW) that is incremented by clock input ($\phi/8192$). When TCSRWE = 1 in TCSRW, if 0 is written in B2WI and 1 is simultaneously written in WDON, TCW starts counting up. When the TCW count value reaches H'FF, the next clock input causes the watchdog timer to overflow and generates an internal reset signal. The internal reset signal is output for 512 clock cycles of the ϕ_{OSC} clock. It is possible to write to TCW, causing TCW to count up from the written value. The overflow period can be set in the range from 1 to 256 input clocks, depending on the value written in TCW.

Figure 9-11-2 shows an example of watchdog timer operations.

Example: $\phi = 4 \text{ MHz}$ and the desired overflow period is 30 ms.

$$\frac{4 \times 10^6}{8192} \times 30 \times 10^{-3} = 14.6$$

www.DataSheet4U.com

The value set in TCW should therefore be $256 - 15 = 241 \text{ (H'F1)}$.

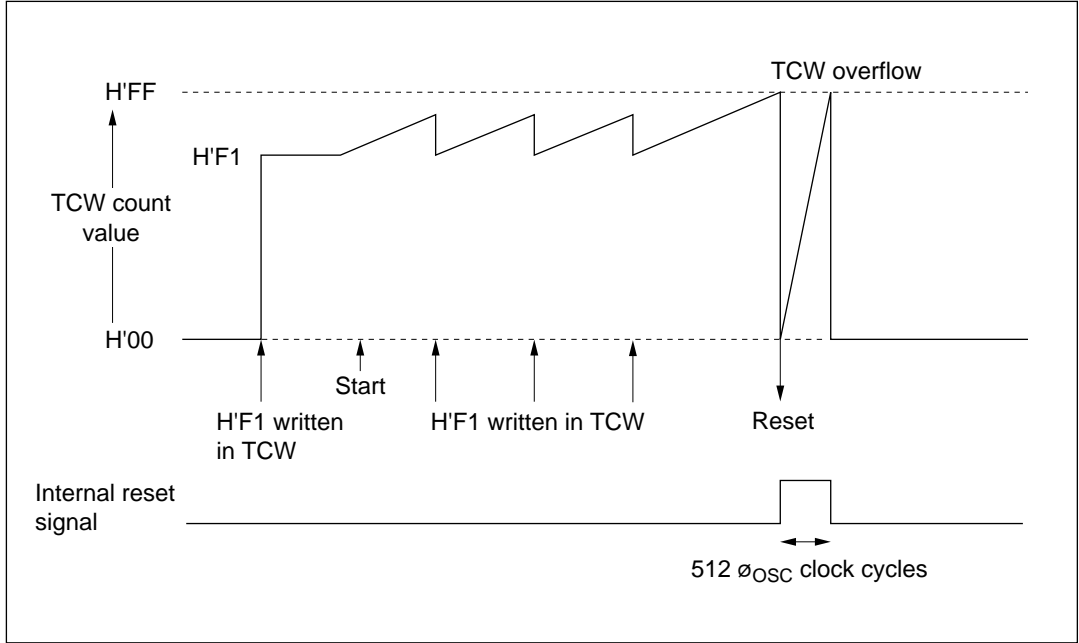


Figure 9-11-2 Typical Watchdog Timer Operations (Example)

9.11.4 Watchdog Timer Operation States

Table 9-11-2 summarizes the watchdog timer operation states.

Table 9-11-2 Watchdog Timer Operation States

| Operation Mode | Reset | Active | Sleep | Watch | Sub-active | Sub-sleep | Standby |
|----------------|-------|-----------|-----------|----------|------------|-----------|----------|
| TCW | Reset | Functions | Functions | Halted | Halted | Halted | Halted |
| TCSRW | Reset | Functions | Functions | Retained | Retained | Retained | Retained |

Section 10 Serial Communication Interface

10.1 Overview

The H8/3927 Series is provided with a two-channel serial communication interface (SCI). Table 10-1-1 summarizes the functions and features of the two SCI channels.

Table 10-1-1 Serial Communication Interface Functions

| Channel | Functions | Features |
|---------|--|--|
| SCI1 | <ul style="list-style-type: none">Synchronous serial transferChoice of 8-bit or 16-bit data lengthContinuous clock output | <ul style="list-style-type: none">Choice of 8 internal clocks ($\phi/1024$ to $\phi/2$) or external clockOpen drain output possibleInterrupt requested at completion of transfer |
| SCI2 | <ul style="list-style-type: none">Synchronous serial transferAutomatic transfer of up to 32 bytes of data (send, receive, or simultaneous send/receive)Chip select inputStrobe pulse output | <ul style="list-style-type: none">Choice of 7 internal clocks ($\phi/256$ to $\phi/2$) or external clockOpen drain output possibleInterrupt requested at completion of transfer or error |

10.2 SCI1

10.2.1 Overview

Serial communication interface 1 (SCI1) performs synchronous serial transfer of 8-bit or 16-bit data.

1. Features

- Choice of 8-bit or 16-bit data length
- Choice of eight internal clock sources ($\phi/1024$, $\phi/256$, $\phi/64$, $\phi/32$, $\phi/16$, $\phi/8$, $\phi/4$, $\phi/2$) or an external clock
- Interrupt requested at completion of transfer

2. Block diagram

Figure 10-2-1 shows a block diagram of SCI1.

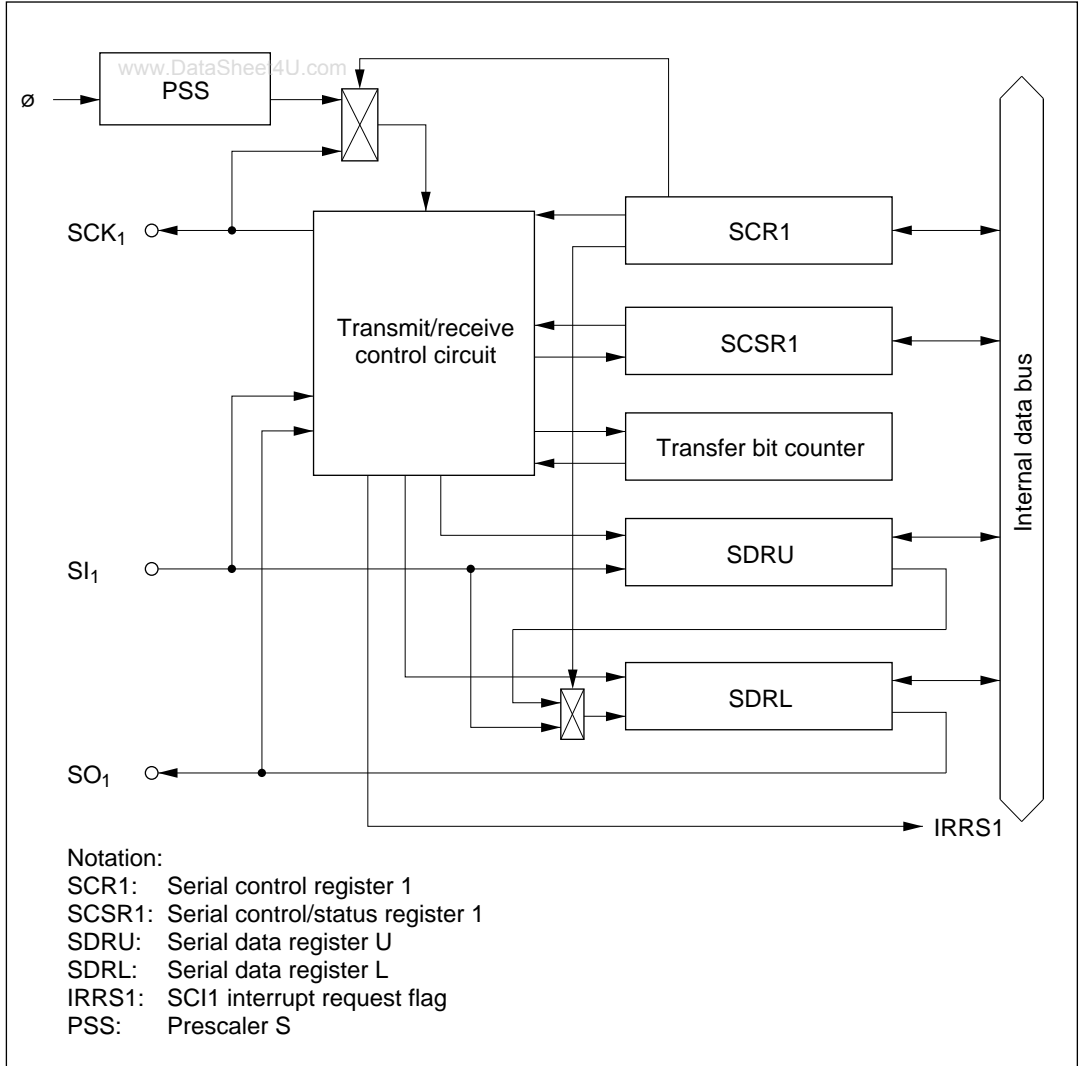


Figure 10-2-1 SCI1 Block Diagram

3. Pin configuration

Table 10-2-1 shows the SCI1 pin configuration.

Table 10-2-1 Pin Configuration

| Name | Abbrev. | I/O | Function |
|----------------------|------------------|--------|----------------------------|
| SCI1 clock pin | SCK ₁ | I/O | SCI1 clock input or output |
| SCI1 data input pin | SI ₁ | Input | SCI1 receive data input |
| SCI1 data output pin | SO ₁ | Output | SCI1 transmit data output |

4. Register configuration

Table 10-2-2 shows the SCI1 register configuration.

Table 10-2-2 SCI1 Registers

| Name | Abbrev. | R/W | Initial Value | Address |
|----------------------------------|---------|-----|---------------|---------|
| Serial control register 1 | SCR1 | R/W | H'00 | H'FFA0 |
| Serial control status register 1 | SCSR1 | R/W | H'80 | H'FFA1 |
| Serial data register U | SDRU | R/W | Not fixed | H'FFA2 |
| Serial data register L | SDRL | R/W | Not fixed | H'FFA3 |

10.2.2 Register Descriptions

1. Serial control register 1 (SCR1)

| | | | | | | | | |
|---------------|------|------|-----|-----|------|------|------|------|
| Bit | 7 | 6 | 5 | 4 | 3 | 2 | 1 | 0 |
| | SNC1 | SNC0 | — | — | CKS3 | CKS2 | CKS1 | CKS0 |
| Initial value | 0 | 0 | 0 | 0 | 0 | 0 | 0 | 0 |
| Read/Write | R/W | R/W | R/W | R/W | R/W | R/W | R/W | R/W |

SCR1 is an 8-bit read/write register for selecting the operation mode, the transfer clock source, and the prescaler division ratio.

Upon reset, SCR1 is initialized to H'00. Writing to this register during a transfer stops the transfer.

Bits 7 and 6: Operation mode select 1, 0 (SNC1, SNC0)

Bits 7 and 6 select the operation mode.

| Bit 7 SNC1 | Bit 6 SNC0 | Description | |
|---------------|---------------|----------------------------------|-----------------|
| 0 | 0 | 8-bit synchronous transfer mode | (initial value) |
| 0 | 1 | 16-bit synchronous transfer mode | |
| 1 | 0 | Continuous clock output mode*1 | |
| 1 | 1 | Reserved*2 | |

Notes: 1. Pins SI₁ and SO₁ should be used as general input or output ports.
2. Don't set bits SNC1 and SNC0 to 11.

Bits 5 and 4: Reserved bits

Bits 5 and 4 are reserved, but they can be written and read.

Bit 3: Clock source select (CKS3)

Bit 3 selects the clock source and sets pin SCK₁ as an input or output pin.

| Bit 3 CKS3 | Description | |
|---------------|---|-----------------|
| 0 | Clock source is prescaler S, and pin SCK ₁ is output pin | (initial value) |
| 1 | Clock source is external clock, and pin SCK ₁ is input pin | |

Bits 2 to 0: Clock select (CKS2 to CKS 0)

When CKS3 = 0, bits 2 to 0 select the prescaler division ratio and the serial clock cycle.

| Bit 2 CKS2 | Bit 1 CKS1 | Bit 0 CKS0 | Prescaler Division | Serial Clock Cycle | |
|---------------|---------------|---------------|------------------------|--------------------|-------------|
| | | | | ϕ = 5 MHz | ϕ = 2.5 MHz |
| 0 | 0 | 0 | ϕ/1024 (initial value) | 204.8 μs | 409.6 μs |
| 0 | 0 | 1 | ϕ/256 | 51.2 μs | 102.4 μs |
| 0 | 1 | 0 | ϕ/64 | 12.8 μs | 25.6 μs |
| 0 | 1 | 1 | ϕ/32 | 6.4 μs | 12.8 μs |
| 1 | 0 | 0 | ϕ/16 | 3.2 μs | 6.4 μs |
| 1 | 0 | 1 | ϕ/8 | 1.6 μs | 3.2 μs |
| 1 | 1 | 0 | ϕ/4 | 0.8 μs | 1.6 μs |
| 1 | 1 | 1 | ϕ/2 | — | 0.8 μs |

2. Serial control/status register 1 (SCSR1)

| Bit | 7 | 6 | 5 | 4 | 3 | 2 | 1 | 0 |
|---------------|---|-----|--------|---|---|---|---|-----|
| | — | SOL | ORER | — | — | — | — | STF |
| Initial value | 1 | 0 | 0 | 0 | 0 | 0 | 0 | 0 |
| Read/Write | — | R/W | R/(W)* | — | — | — | — | R/W |

Note: * Only a write of 0 for flag clearing is possible.

SCSR1 is an 8-bit read/write register indicating operation status and error status.

Upon reset, SCSR1 is initialized to H'80.

Bit 7: Reserved bit

Bit 7 is reserved; it is always read as 1, and cannot be modified.

Bit 6: Extended data bit (SOL)

Bit 6 sets the SO_1 output level. When read, SOL returns the output level at the SO_1 pin. After completion of a transmission, SO_1 continues to output the value of the last bit of transmitted data. The SO_1 output can be changed by writing to SOL before or after a transmission. The SOL bit setting remains valid only until the start of the next transmission. To control the level of the SO_1 pin after transmission ends, it is necessary to write to the SOL bit at the end of each transmission. Do not write to this register while transmission is in progress, because that may cause a malfunction.

Bit 6

| SOL | Description |
|-----|---|
| 0 | Read: SO_1 pin output level is low (initial value) Write: SO_1 pin output level changes to low |
| 1 | Read: SO_1 pin output level is high Write: SO_1 pin output level changes to high |

Bit 5: Overrun error flag (ORER)

When an external clock is used, bit 5 indicates the occurrence of an overrun error. If a clock pulse is input after transfer completion, this bit is set to 1 indicating an overrun. If noise occurs during a transfer, causing an extraneous pulse to be superimposed on the normal serial clock, incorrect data may be transferred.

www.DataSheet4U.com

Bit 5

| ORER | Description |
|------|---|
| 0 | Clearing conditions: After reading ORER = 1, cleared by writing 0 to ORER (initial value) |
| 1 | Setting conditions: Set if a clock pulse is input after transfer is complete, when an external clock is used |

Bits 4 to 2: Reserved bits

Bits 4 to 2 are reserved. They are always read as 0, and cannot be modified.

Bit 1: Reserved bit

Bit 1 is reserved; it should always be cleared to 0.

Bit 0: Start flag (STF)

Bit 0 controls the start of a transfer. Setting this bit to 1 causes SCI1 to start transferring data.

During the transfer or while waiting for the first clock pulse, this bit remains set to 1. It is cleared to 0 upon completion of the transfer. It can therefore be used as a busy flag.

Bit 0

| STF | Description |
|-----|--|
| 0 | Read: Indicates that transfer is stopped (initial value) Write: Invalid |
| 1 | Read: Indicates transfer in progress Write: Starts a transfer operation |

3. Serial data register U (SDRU)

| Bit | 7 | 6 | 5 | 4 | 3 | 2 | 1 | 0 |
|---------------|-----------|-----------|-----------|-----------|-----------|-----------|-----------|-----------|
| | SDRU7 | SDRU6 | SDRU5 | SDRU4 | SDRU3 | SDRU2 | SDRU1 | SDRU0 |
| Initial value | Not fixed | Not fixed | Not fixed | Not fixed | Not fixed | Not fixed | Not fixed | Not fixed |
| Read/Write | R/W | R/W | R/W | R/W | R/W | R/W | R/W | R/W |

SDRU is an 8-bit read/write register. It is used as the data register for the upper 8 bits in 16-bit transfer (SDRL is used for the lower 8 bits).

Data written to SDRU is output to SDRL starting from the least significant bit (LSB). This data is then replaced by LSB-first data input at pin SI₁, which is shifted in the direction from the most significant bit (MSB) toward the LSB.

SDRU must be written or read only after data transmission or reception is complete. If this register is written or read while a data transfer is in progress, the data contents are not guaranteed.

The SDRU value upon reset is not fixed.

4. Serial data register L (SDRL)

| Bit | 7 | 6 | 5 | 4 | 3 | 2 | 1 | 0 |
|---------------|-----------|-----------|-----------|-----------|-----------|-----------|-----------|-----------|
| | SDRL7 | SDRL6 | SDRL5 | SDRL4 | SDRL3 | SDRL2 | SDRL1 | SDRL0 |
| Initial value | Not fixed | Not fixed | Not fixed | Not fixed | Not fixed | Not fixed | Not fixed | Not fixed |
| Read/Write | R/W | R/W | R/W | R/W | R/W | R/W | R/W | R/W |

SDRL is an 8-bit read/write register. It is used as the data register in 8-bit transfer, and as the data register for the lower 8 bits in 16-bit transfer (SDRU is used for the upper 8 bits).

In 8-bit transfer, data written to SDRL is output from pin SO₁ starting from the least significant bit (LSB). This data is then replaced by LSB-first data input at pin SI₁, which is shifted in the direction from the most significant bit (MSB) toward the LSB.

In 16-bit transfer, operation is the same as for 8-bit transfer, except that input data is fed in via SDRU.

SDRL must be written or read only after data transmission or reception is complete. If this register is read or written while a data transfer is in progress, the data contents are not guaranteed.

The SDRL value upon reset is not fixed.

10.2.3 Operation

Data can be sent and received in an 8-bit or 16-bit format, synchronized to an internal or external serial clock. Overrun errors can be detected when an external clock is used.

1. Clock

www.DataSheet4U.com

The serial clock can be selected from a choice of eight internal clocks and an external clock. When an internal clock source is selected, pin SCK_1 becomes the clock output pin. When continuous clock output mode is selected (SCR1 bits SNC1 and SNC0 are set to 10), the clock signal ($\phi/1024$ or $\phi/2$) selected in bits CKS2 to CKS0 is output continuously from pin SCK_1 . When an external clock is used, pin SCK_1 is the clock input pin.

2. Data transfer format

Figure 10-2-2 shows the data transfer format. Data is sent and received starting from the least significant bit, in LSB-first format. Transmit data is output from one falling edge of the serial clock until the next falling edge. Receive data is latched at the rising edge of the serial clock.

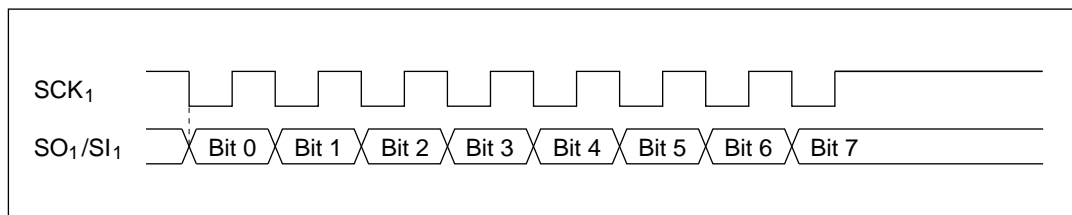


Figure 10-2-2 Transfer Format

3. Data transfer operations

• Transmitting

A transmit operation is carried out as follows.

1. Set bits SO_1 and SCK_1 to 1 in PMR3 to select the SO_1 and SCK_1 pin functions. If necessary, set bit POF1 in PMR7 for NMOS open-drain output at pin SO_1 .
2. Clear bit SNC1 in SCR1 to 0, and set bit SNC0 to 1 or 0, designating 8- or 16-bit synchronous transfer mode. Select the serial clock in bits CKS3 to CKS0. Writing data to SCR1 initializes the internal state of SCI1.
3. Write transmit data in SDRL and SDRU, as follows.

8-bit transfer mode: SDRL

16-bit transfer mode: Upper byte in SDRU, lower byte in SDRL

4. Set the SCSR1 start flag (STF) to 1. SCI1 starts operating and outputs transmit data at pin SO₁.
5. After data transmission is complete, bit IRRS1 in interrupt request register 2 (IRR2) is set to 1.

When an internal clock is used, a serial clock is output from pin SCK₁ in synchronization with the transmit data. After data transmission is complete, the serial clock is not output until the next time the start flag is set to 1. During this time, pin SO₁ continues to output the value of the last bit transmitted.

When an external clock is used, data is transmitted in synchronization with the serial clock input at pin SCK₁. After data transmission is complete, an overrun occurs if the serial clock continues to be input; no data is transmitted and the SCSR1 overrun error flag (bit ORER) is set to 1.

While transmission is stopped, the output value of pin SO₁ can be changed by rewriting bit SOL in SCSR1.

- Receiving

A receive operation is carried out as follows.

1. Set bits SI1 and SCK1 to 1 in PMR3 to select the SI₁ and SCK₁ pin functions.
2. Clear bit SNC1 in SCR1 to 0, and set bit SNC0 to 1 or 0, designating 8- or 16-bit synchronous transfer mode. Select the serial clock in bits CKS3 to CKS0. Writing data to SCR1 initializes the internal state of SCI1.
3. Set the SCSR1 start flag (STF) to 1. SCI1 starts operating and receives data at pin SI₁.
4. After data reception is complete, bit IRRS1 in interrupt request register 2 (IRR2) is set to 1.
5. Read the received data from SDRL and SDRU, as follows.

8-bit transfer mode: SDRL

16-bit transfer mode: Upper byte in SDRU, lower byte in SDRL

6. After data reception is complete, an overrun occurs if the serial clock continues to be input; no data is received and the SCSR1 overrun error flag (bit ORER) is set to 1.

- Simultaneous transmit/receive

A simultaneous transmit/receive operation is carried out as follows.

1. Set bits SO1, SI1, and SCK1 to 1 in PMR3 to select the SO₁, SI₁, and SCK₁ pin functions. If necessary, set bit POF1 in PMR7 for NMOS open-drain output at pin SO₁.
www.DataSheet4U.com
2. Clear bit SNC1 in SCR1 to 0, and set bit SNC0 to 1 or 0, designating 8- or 16-bit synchronous transfer mode. Select the serial clock in bits CKS3 to CKS0. Writing data to SCR1 initializes the internal state of SCI1.
3. Write transmit data in SDRL and SDRU, as follows.

8-bit transfer mode: SDRL

16-bit transfer mode: Upper byte in SDRU, lower byte in SDRL

4. Set the SCSR1 start flag (STF) to 1. SCI1 starts operating. Transmit data is output at pin SO₁. Receive data is input at pin SI₁.
5. After data transmission and reception are complete, bit IRRS1 in IRR2 is set to 1.
6. Read the received data from SDRL and SDRU, as follows.

8-bit transfer mode: SDRL

16-bit transfer mode: Upper byte in SDRU, lower byte in SDRL

When an internal clock is used, a serial clock is output from pin SCK₁ in synchronization with the transmit data. After data transmission is complete, the serial clock is not output until the next time the start flag is set to 1. During this time, pin SO₁ continues to output the value of the last bit transmitted.

When an external clock is used, data is transmitted and received in synchronization with the serial clock input at pin SCK₁. After data transmission and reception are complete, an overrun occurs if the serial clock continues to be input; no data is transmitted or received and the SCSR1 overrun error flag (bit ORER) is set to 1.

While transmission is stopped, the output value of pin SO₁ can be changed by rewriting bit SOL in SCSR1.

10.2.4 Interrupts

SCI1 can generate an interrupt at the end of a data transfer.

When an SCI1 transfer is complete, bit IRRS1 in interrupt request register 2 (IRR2) is set to 1. SCI1 interrupt requests can be enabled or disabled by bit IENS1 of interrupt enable register 2 (IENR2). DataSheet4U.com

For further details, see 3.3, Interrupts.

10.3 SCI2

10.3.1 Overview

Serial communication interface 2 (SCI2) has a 32-bit data buffer for synchronous serial transfer of up to 32 bytes of data in one operation.

www.DataSheet4U.com

1. Features

Features of SCI are listed below.

- Automatic transfer of up to 32 bytes of data
- Choice of seven internal clock sources ($\phi/256$, $\phi/64$, $\phi/32$, $\phi/16$, $\phi/8$, $\phi/4$, $\phi/2$) or an external clock
- Interrupts requested at completion of transfer or when an error occurs
- Gaps of 56, 24, or 8 internal clock cycles can be inserted between successive bytes of transferred data.
- Transfer can be started by chip select input.
- A strobe pulse can be output for each byte transferred.

2. Block diagram

Figure 10-3-1 shows a block diagram of SCI2.

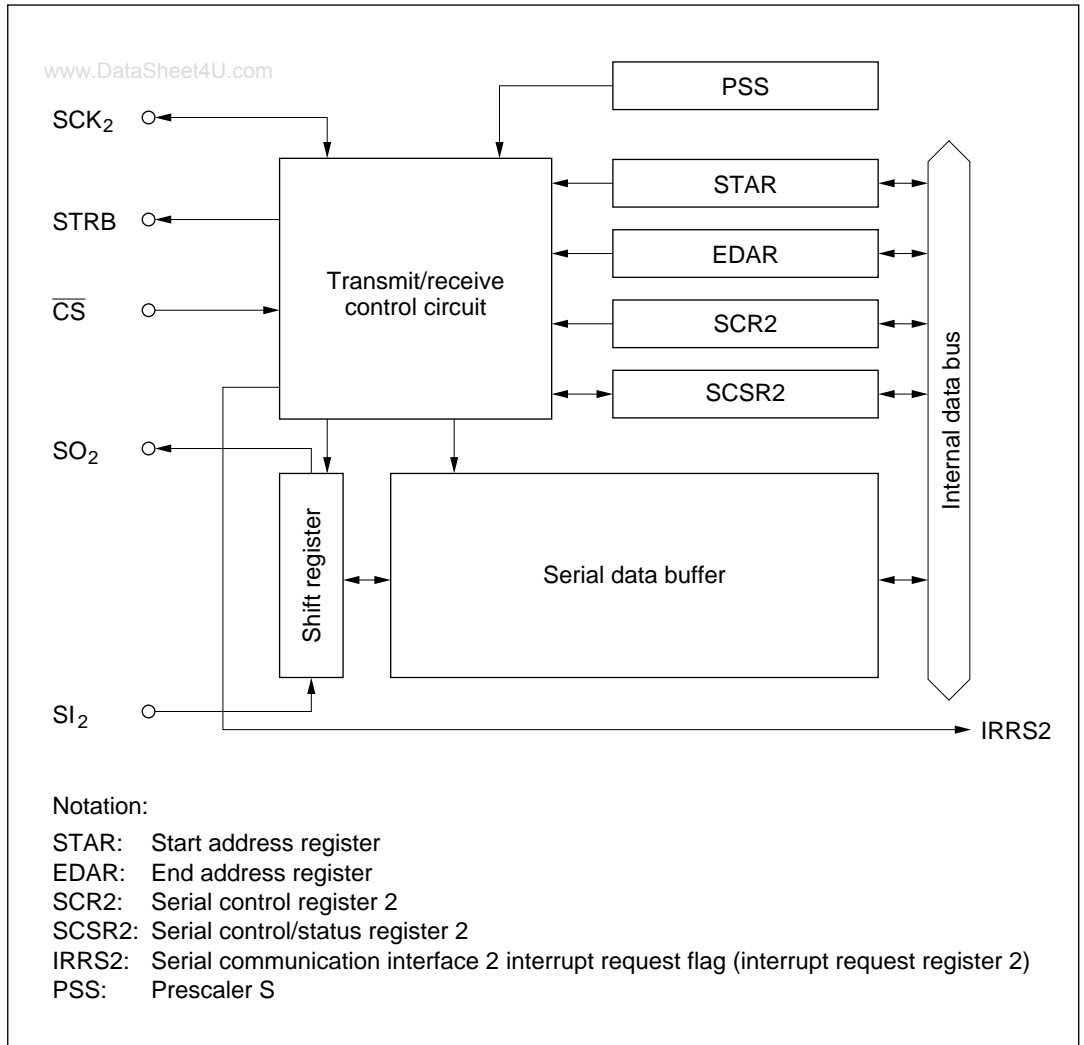


Figure 10-3-1 SCI2 Block Diagram

3. Pin configuration

Table 10-3-1 shows the SCI2 pin configuration.

Table 10-3-1 Pin Configuration

| Name | Abbrev. | I/O | Function |
|----------------------|------------------|--------|---------------------------|
| SCI2 clock pin | SCK ₂ | I/O | SCI2 clock input/output |
| SCI2 data input pin | SI ₂ | Input | SCI2 receive data input |
| SCI2 data output pin | SO ₂ | Output | SCI2 transmit data output |
| SCI2 strobe pin | STRB | Output | SCI2 strobe signal output |
| SCI2 chip select pin | CS | Input | SCI2 chip select input |

4. Register configuration

Table 10-3-2 shows the SCI2 register configuration.

Table 10-3-2 SCI2 Registers

| Name | Abbrev. | R/W | Initial Value | Address |
|----------------------------------|---------|-----|---------------|------------------|
| Start address register | STAR | R/W | H'E0 | H'FFA4 |
| End address register | EDAR | R/W | H'E0 | H'FFA5 |
| Serial control register 2 | SCR2 | R/W | H'E0 | H'FFA6 |
| Serial control/status register 2 | SCSR2 | R/W | H'E0 | H'FFA7 |
| Serial data buffer (32 bytes) | — | R/W | Not fixed | H'FF80 to H'FF9F |

10.3.2 Register Descriptions

1. Start address register (STAR)

| Bit | 7 | 6 | 5 | 4 | 3 | 2 | 1 | 0 |
|---------------|---|---|---|------|------|------|------|------|
| | — | — | — | STA4 | STA3 | STA2 | STA1 | STA0 |
| Initial value | 1 | 1 | 1 | 0 | 0 | 0 | 0 | 0 |
| Read/Write | — | — | — | R/W | R/W | R/W | R/W | R/W |

STAR is an 8-bit read/write register, for designating a transfer start address in the address space (H'FF80 to H'FF9F) allocated to the 32-byte data buffer. The lower 5 bits of STAR correspond to the lower 5 bits of the address. The extent of continuous data transfer is defined in STAR and in the end address register (EDAR). If the same value is designated by STAR and EDAR, only 1 byte of data is transferred.

Bits 7 to 5 are reserved; they are always read as 1, and cannot be modified.

Upon reset, STAR is initialized to H'E0.

2. End address register (EDAR)

| | | | | | | | | |
|---------------|---|---|---|------|------|------|------|------|
| Bit | 7 | 6 | 5 | 4 | 3 | 2 | 1 | 0 |
| | — | — | — | EDA4 | EDA3 | EDA2 | EDA1 | EDA0 |
| Initial value | 1 | 1 | 1 | 0 | 0 | 0 | 0 | 0 |
| Read/Write | — | — | — | R/W | R/W | R/W | R/W | R/W |

EDAR is an 8-bit read/write register, for designating a transfer end address in the address space (H'FF80 to H'FF9F) allocated to the 32-byte data buffer. The lower 5 bits of EDAR correspond to the lower 5 bits of the address. The extent of continuous data transfer is defined in STAR and in EDAR. If the same value is designated by STAR and EDAR, only 1 byte of data is transferred.

Bits 7 to 5 are reserved; they are always read as 1, and cannot be modified.

Upon reset, EDAR is initialized to H'E0.

3. Serial control register 2 (SCR2)

| | | | | | | | | |
|---------------|---|---|---|------|------|------|------|------|
| Bit | 7 | 6 | 5 | 4 | 3 | 2 | 1 | 0 |
| | — | — | — | GAP1 | GAP0 | CKS2 | CKS1 | CKS0 |
| Initial value | 1 | 1 | 1 | 0 | 0 | 0 | 0 | 0 |
| Read/Write | — | — | — | R/W | R/W | R/W | R/W | R/W |

SCR2 is an 8-bit read/write register for selecting the serial clock, and for setting the gap inserted between data during continuous transfer when SCI2 uses an internal clock.

Upon reset, SCR2 is initialized to H'E0.

Bits 7 to 5: Reserved bits

Bits 7 to 5 are reserved; they are always read as 1, and cannot be modified.

Bits 4 and 3: Gap select (GAP1 to GAP0)

When SCI2 uses an internal clock, gaps can be inserted between successive data bytes. Bits 4 and 3 designate the length of these gaps. During a gap, pin SCK₂ remains at the high level. When no gap is inserted, the STRB signal stays at the low level.

| Bit 4 GAP1 | Bit 3 GAP0 | Description | (initial value) |
|---------------|---------------|--|-----------------|
| 0 | 0 | No gaps between bytes | |
| 0 | 1 | A gap of 8 clock cycles is inserted between bytes | |
| 1 | 0 | A gap of 24 clock cycles is inserted between bytes | |
| 1 | 1 | A gap of 56 clock cycles is inserted between bytes | |

Bits 2 to 0: Clock select (CKS2 to CKS0)

Bits 2 to 0 select one of seven internal clock sources or an external clock.

| Bit 2 CKS2 | Bit 1 CKS1 | Bit 0 CKS0 | Pin | SCK ₂ | Clock Source | Prescaler Division | Serial Clock Cycle | |
|---------------|---------------|---------------|-------------------------|------------------|-----------------|-----------------------|--------------------|-------------|
| | | | | | | | ϕ = 5 MHz | ϕ = 2.5 MHz |
| 0 | 0 | 0 | SCK ₂ output | | Prescaler S | ϕ/256 (initial value) | 51.2 μs | 102.4 μs |
| 0 | 0 | 1 | | | | ϕ/64 | 12.8 μs | 25.6 μs |
| 0 | 1 | 0 | | | | ϕ/32 | 6.4 μs | 12.8 μs |
| 0 | 1 | 1 | | | | ϕ/16 | 3.2 μs | 6.4 μs |
| 1 | 0 | 0 | | | | ϕ/8 | 1.6 μs | 3.2 μs |
| 1 | 0 | 1 | | | | ϕ/4 | 0.8 μs | 1.6 μs |
| 1 | 1 | 0 | | | | ϕ/2 | — | — |
| 1 | 1 | 1 | SCK ₂ input | | External clock | — | — | — |

4. Serial control/status register 2 (SCSR2)

| Bit | 7 | 6 | 5 | 4 | 3 | 2 | 1 | 0 |
|---------------|---|---|---|-----|--------|--------|--------|-----|
| | — | — | — | SOL | ORER | WT | ABT | STF |
| Initial value | 1 | 1 | 1 | 0 | 0 | 0 | 0 | 0 |
| Read/Write | — | — | — | R/W | R/(W)* | R/(W)* | R/(W)* | R/W |

Note: * Only a write of 0 for flag clearing is possible.

SCSR2 is an 8-bit register indicating SCI2 operation status and error status.

Upon reset, SCSR2 is initialized to H'E0.

Bits 7 to 5: Reserved bits

Bits 7 to 5 are reserved; they are always read as 1, and cannot be modified.

Bit 4: Extended data bit (SOL)

Bit 4 sets the SO₂ output level. When read, SOL returns the output level at the SO₂ pin. After completion of a transmission, SO₂ continues to output the value of the last bit of transmitted data. The SO₂ output can be changed by writing to SOL before or after a transmission. The SOL bit setting remains valid only until the start of the next transmission. To control the level of the SO₂ pin after transmission ends, it is necessary to write to the SOL bit at the end of each transmission. Do not write to this register while transmission is in progress, because that may cause a malfunction.

Bit 4

| SOL | Description | |
|-----|---|-----------------|
| 0 | Read: SO ₂ pin output level is low Write: SO ₂ pin output level changes to low | (initial value) |
| 1 | Read: SO ₂ pin output level is high Write: SO ₂ pin output level changes to high | |

Bit 3: Overrun error flag (ORER)

When an external clock is used, bit 3 indicates the occurrence of an overrun error. If a clock pulse is input after transfer completion, this bit is set to 1 indicating an overrun. If noise occurs during a transfer, causing an extraneous pulse to be superimposed on the normal serial clock, incorrect data may be transferred. Overrun errors are not detected while pin CS is at the high level.

Bit 3

| ORER | Description | |
|------|---|-----------------|
| 0 | Clearing conditions: After reading ORER = 1, cleared by writing 0 to ORER | (initial value) |
| 1 | Setting conditions: Set if a clock pulse is input after transfer is complete, when an external clock is used | |

Bit 2: Wait flag (WT)

Bit 2 indicates that an attempt was made to read or write the 32-byte serial data buffer while a transfer was in progress, or while waiting for CS input. The read or write access is not carried out, and this bit is set to 1.

Bit 2

| WT | Description | |
|----|--|-----------------|
| 0 | Clearing conditions: After reading WT = 1, cleared by writing 0 to WT | (initial value) |
| 1 | Setting conditions: An attempt was made to read or write the (32-byte) serial data buffer during a transfer operation or while waiting for CS input | |

Bit 1: Abort flag (ABT)

Bit 1 indicates that \overline{CS} went to high during data transfer. When the \overline{CS} input function is selected, if a high-level signal is detected at pin \overline{CS} during a transfer, the transfer is immediately aborted and this bit is set to 1. At the same time bit IRRS2 in interrupt request register 2 (IRR2) is set to 1, and pins SCK_2 and SO_2 go to the high-impedance state. Data in the (32-byte) serial data buffer and values in the internal registers other than SCSR2 remain unchanged.

Transfer cannot take place while this bit is set to 1. It must be cleared to 0 before resuming the transfer.

Bit 1

| ABT | Description | |
|-----|---|-----------------|
| 0 | Clearing conditions: After reading ABT = 1, cleared by writing 0 to ABT | (initial value) |
| 1 | Setting conditions: When pin \overline{CS} goes high during a transfer | |

Bit 0: Start/busy flag (STF)

Bit 0 controls the start of a transfer. If bit $CS = 0$ in PMR3, setting bit STF to 1 causes SCI2 to start transferring data. If bit $CS = 1$ in PMR3, then after STF is set to 1, SCI2 starts transferring data when \overline{CS} goes low. This bit stays at 1 during the transfer or while waiting for \overline{CS} input; it is cleared to 0 after the transfer is completed or when the transfer is aborted by \overline{CS} . It can therefore be used as a busy flag.

Clearing this bit to 0 during a transfer aborts the transfer, initializing SCI2. The contents of the (32-byte) serial data buffer and of internal registers other than SCSR2 remain unchanged.

Bit 0

| STF | Description | |
|-----|---|-----------------|
| 0 | Read: Indicates that transfer is stopped Write: Stops a transfer operation | (initial value) |
| 1 | Read: Indicates transfer in progress or waiting for \overline{CS} input Write: Starts a transfer operation | |

10.3.3 Operation

SCI2 has a 32-byte serial data buffer, making possible continuous transfer of up to 32 bytes of data with one operation. SCI2 transmits and receives data in synchronization with clock pulses. Depending on register settings, it can transmit, receive, or transmit and receive simultaneously. When it transmits but does not receive, the serial data buffer values are retained after the transmission is completed.

Either an internal clock or external clock may be selected as the serial clock. When an internal clock is selected, gaps may be inserted between the data bytes. It is also possible to output a strobe signal at pin STRB. When an external clock is selected, the overrun flag allows detection of erroneous operation due to unwanted clock input.

Transfers can be started or aborted by input at pin \overline{CS} . Abort is indicated by means of an abort flag.

1. Clock

The serial clock can be selected from a choice of six internal clock sources or an external clock. When an internal clock source is selected, pin SCK₂ becomes the clock output pin.

2. Data transfer format

Figure 10-3-2 and figure 10-3-3 show the SCI2 data transfer format. Data is sent and received starting from the least significant bit, in LSB-first format. Transmit data is output from one falling edge of the serial clock until the next falling edge. Receive data is latched at the rising edge of the serial clock.

When SCI2 operates on an internal clock, a gap can be inserted between each byte of transferred data and the next, as shown in figure 10-3-3. During this gap, pin SCK₂ outputs a high-level signal. Also, a strobe pulse can be output at pin STRB.

The length of the gap is designated in bits GAP1 and GAP0 in serial control register 2 (SCR2).

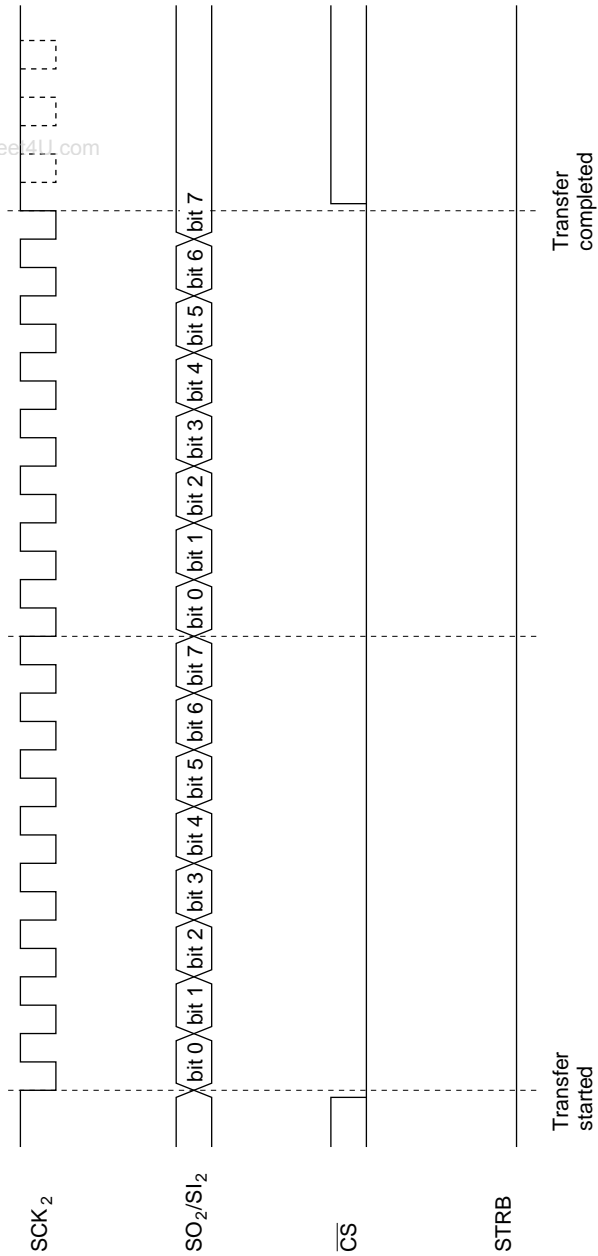


Figure 10-3-2 Data Transfer Format (No Gaps between Data)

8, 24, or 56 clock cycles

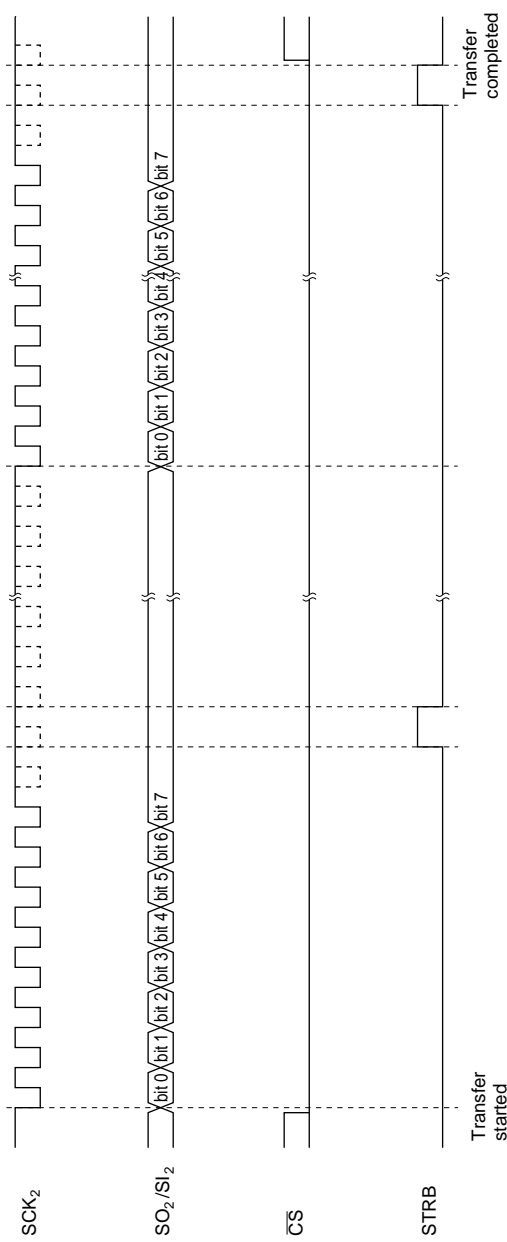


Figure 10-3-3 Data Transfer Format (Gap Inserted between Data)

3. Data transfer operations

- SCI2 initialization

Data transfer on SCI2 first of all requires that SCI2 be initialized by software as follows.

1. With bit `STF` cleared to 0 in `SCSR2`, select pin functions and the transfer mode in registers `PMR7`, `PMR3`, `STAR`, `EDAR`, and `SCR2`.
2. The SCI2 pins double as general input/output ports. Switching between port and SCI2 functions is controlled in `PMR3`. CMOS output or NMOS open drain output can be selected in `PMR7`. The serial clock and gaps between transferred bytes are set in `SCR2`.
3. The start and end addresses of the transfer data area are set in `STAR` and `EDAR`. If the end address is set smaller than the start address, as shown in figure 10-3-4, the transfer wraps around from `H'FF9F` to `H'FF80` and continues to the end address. If the start address and end address are the same, only one byte of data will be transferred.

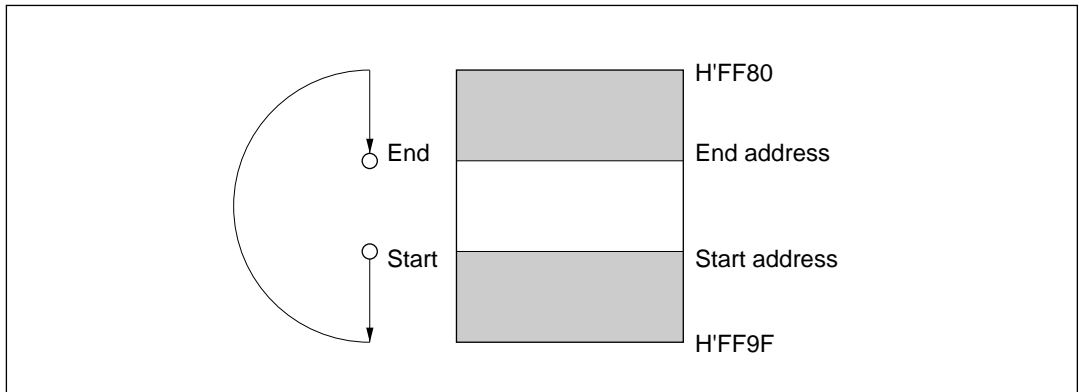


Figure 10-3-4 Operation When End Address is Smaller than Start Address

- Transmitting

A transmit operation is carried out as follows.

1. Set bits SO₂ and SCK₂ to 1 in PMR3 to select the SO₂ and SCK₂ pin functions. If necessary, set bit POF2 in PMR7 for NMOS open-drain output at pin SO₂, and set bits CS and STRB in PMR3 to select the CS and STRB pin functions.
2. Select the serial clock and, in the case of internal clock operation, the data gap in SCR2.
3. Write transmit data in the serial data buffer. This data will remain in the data buffer after completion of the transfer. It is not necessary to rewrite the buffer when the same data is retransmitted.
4. Set the start address in the lower 5 bits of STAR, and the end address in the lower 5 bits of EDAR.
5. Set the start/busy flag (STF) to 1. If bit CS = 0 in PMR3, transmission starts as soon as STF is set to 1. If CS = 1 in PMR3, transmission starts when CS goes low.
6. After data transmission is complete, bit IRRS2 in interrupt request register 2 (IRR2) is set to 1, and bit STF is cleared to 0.

When an internal clock is used, a serial clock is output from pin SCK₂ in synchronization with the transmit data. After data transmission is completed, the serial clock is not output until bit STF is set again. During this time, pin SO₂ continues to output the value of the last bit transmitted.

When an external clock is used, data is transmitted in synchronization with the serial clock input at pin SCK₂. After data transmission is completed, an overrun occurs if the serial clock continues to be input; no data is transmitted and the SCSR2 overrun error flag (bit ORER) is set to 1. Pin SO₂ continues to output the value of the last preceding bit. Overrun errors are not detected when both pin CS is at the high level and PMR3 bit CS = 1.

While transmission is stopped, the output value of pin SO₂ can be changed by rewriting bit SOL in SCSR2.

During a transmission or while waiting for CS input, the CPU cannot read or write the data buffer. If a read instruction is executed, H'FF will be read; if a write instruction is executed, the buffer contents will not change. In either case the wait flag (bit WT) in SCSR2 will be set to 1.

If bit CS = 1 in PMR3 and during transmission a high-level signal is detected at pin CS, the transmit operation will immediately be aborted, setting the abort flag (bit ABT) to 1. At the same time bit IRRS2 in interrupt request register 2 (IRR2) will be set to 1, and bit STF will be cleared to 0. Pins SCK₂ and SO₂ will go to the high-impedance state. Data transfer is not possible while bit ABT is set to 1. It must be cleared before resuming the transfer.

- Receiving

A receive operation is carried out as follows.

1. Set bits SI_2 and SCK_2 in port mode register 3 (PMR3) to 1, designating use of the SI_2 and SCK_2 pin functions. If necessary, set bit CS in PMR3 to select the CS pin function.
www.DataSheet4U.com
2. Select the serial clock and, in the case of internal clock operation, the data gap in SCR2.
3. Allocate an area to hold the received data in the serial data buffer by designating the receive start address in the lower 5 bits of the start address register (STAR) and the receive end address in the lower 5 bits of the end address register (EDAR).
4. Set the start/busy flag (bit STF) to 1. If bit $CS = 0$ in PMR3, receiving starts as soon as STF is set. If $CS = 1$ in PMR3, receiving starts when \overline{CS} goes low.
5. After receiving is completed, bit IRRS2 in interrupt request register 2 (IRR2) is set to 1, and bit STF is cleared to 0.
6. Read the received data from the serial data buffer.

If an internal clock is used, a serial clock is output from pin SCK_2 when the receive operation starts. After receiving is completed, the serial clock is not output until bit STF is set again. When an external clock source is used, data is received in synchronization with the clock input at pin SCK_2 . After receiving is completed, an overrun occurs if the serial clock continues to be input; no further data is received and the SCSR2 overrun error flag (bit ORER) is set to 1. Overrun errors are not detected when both pin \overline{CS} is high and bit $CS = 1$ in PMR3.

While receiving or while waiting for CS input, the CPU cannot read or write the data buffer. If a read instruction is executed, H'FF will be read; if a write instruction is executed the buffer contents will not change. In either case the wait flag (bit WT) in SCSR2 will be set to 1.

If bit $CS = 1$ in PMR3 and a high-level signal is detected at pin CS during receiving, the receive operation will immediately be aborted, setting the abort flag (bit ABT) to 1. At the same time bit IRRS2 in interrupt request register 2 (IRR2) will be set to 1, and bit STF will be cleared to 0. Pins SCK_2 and SO_2 will go to the high-impedance state. Data transfer is not possible while bit ABT is set to 1. It must be cleared before resuming the transfer.

- Simultaneous transmit/receive

A simultaneous transmit/receive operation is carried out as follows.

1. Set bits SO₂, SI₂, and SCK₂ in PMR3 to 1, designating use of the SO₂, SI₂, and SCK₂ pin functions. If necessary, set bit POF2 in port mode register 7 (PMR7) for NMOS open-drain output at pin SO₂, and set bits CS and STRB to designate use of the CS and STRB pin functions.
2. Select the serial clock and, in the case of internal clock operation, the data gap in SCR2.
3. Write transmit data in the serial data buffer. In simultaneous transmit/receive, received data replaces transmitted data at the same buffer addresses.
4. Set the transfer start address in the lower 5 bits of STAR, and the transfer end address in the lower 5 bits of EDAR.
5. Set the start/busy flag (bit STF) to 1. If bit CS = 0 in PMR3, the transmit/receive transfer starts as soon as STF is set to 1. If CS = 1 in PMR3, transfer operations start when CS goes low.
6. After data transfer is completed, bit IRRS2 in interrupt request register 2 (IRR2) is set to 1, and bit STF is cleared to 0.
7. Read the received data from the serial data buffer.

If an internal clock is used, a serial clock is output from pin SCK₂ when the transfer begins. After the transfer is completed, the serial clock is not output until bit STF is set again. During this time, pin SO₂ continues to output the value of the last bit transmitted.

When an external clock is used, data is transferred in synchronization with the serial clock input at pin SCK₂. After the transfer is completed, an overrun occurs if the serial clock continues to be input; no transfer operation takes place and the SCSR2 overrun error flag (bit ORER) is set to 1. Pin SO₂ continues to output the value of the last transmitted bit. Overrun errors are not detected when both pin $\overline{\text{CS}}$ is high and bit CS = 1 in PMR3.

While data transfer is stopped, the output value of pin SO₂ can be changed by rewriting bit SOL in SCSR2.

During a transfer or while waiting for $\overline{\text{CS}}$ input, the CPU cannot read or write the data buffer. If a read instruction is executed, H'FF will be read; if a write instruction is executed the buffer contents will not change. In either case the wait flag (bit WT) in SCSR2 will be set to 1.

If bit CS = 1 in PMR3 and during the transfer a high-level signal is detected at pin $\overline{\text{CS}}$, the transfer will immediately be aborted, setting the abort flag (bit ABT) to 1. At the same time bit IRRS2 in interrupt request register 2 (IRR2) will be set to 1, and bit STF will be cleared to 0. Pins SCK₂ and SO₂ will go to the high-impedance state. Data transfer is not possible while bit ABT is set to 1. It must be cleared before resuming the transfer.

10.3.4 Interrupts

SCI2 can generate interrupts when a transfer is completed or when a transfer is aborted by \overline{CS} . These interrupts have the same vector address.

When the above conditions occur, bit IRRS2 in interrupt request register 2 (IRR2) is set to 1. SCI2 interrupt requests can be enabled or disabled in bit IENS2 of interrupt enable register 2 (IENR2). For further details, see 3.3, Interrupts.

When a transfer is aborted by \overline{CS} , an overrun error occurs, or a read or write of the serial data buffer is attempted during a transfer or while waiting for \overline{CS} input, the ABT, ORER, or WT bit in SCSR2 is set to 1. These bits can be used to determine the cause of the error.

Section 11 14-Bit PWM

11.1 Overview

The H8/3927 Series is provided with a 14-bit PWM (pulse width modulator) on-chip, which can be used as a D/A converter by connecting a low-pass filter.

11.1.1 Features

Features of the 14-bit PWM are as follows.

- Choice of two conversion periods

A conversion period of $32,768/\phi$, with a minimum modulation width of $2/\phi$ or a conversion period of $16,384/\phi$, with a minimum modulation width of $1/\phi$ can be chosen.

- Pulse division method for less ripple

11.1.2 Block Diagram

Figure 11-1 shows a block diagram of the 14-bit PWM.

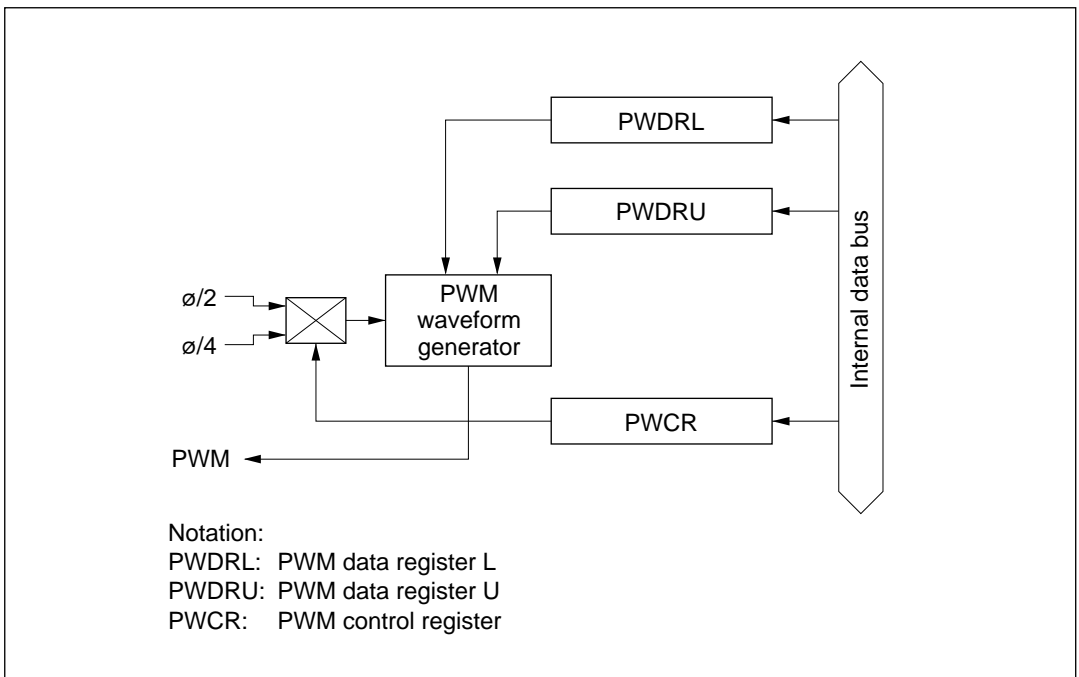


Figure 11-1 Block Diagram of the 14 bit PWM

11.1.3 Pin Configuration

Table 11-1 shows the output pin assigned to the 14-bit PWM.

Table 11-1 Pin Configuration

| Name | Abbrev. | I/O | Function |
|----------------|---------|--------|------------------------------------|
| PWM output pin | PWM | Output | Pulse-division PWM waveform output |

11.1.4 Register Configuration

Table 11-2 shows the register configuration of the 14-bit PWM.

Table 11-2 Register Configuration

| Name | Abbrev. | R/W | Initial Value | Address |
|----------------------|---------|-----|---------------|---------|
| PWM control register | PWCR | W | H'FE | H'FFD0 |
| PWM data register U | PWDRU | W | H'C0 | H'FFD1 |
| PWM data register L | PWDRL | W | H'00 | H'FFD2 |

11.2 Register Descriptions

11.2.1 PWM Control Register (PWCR)

| | | | | | | | | |
|---------------|---|---|---|---|---|---|---|-------|
| Bit | 7 | 6 | 5 | 4 | 3 | 2 | 1 | 0 |
| | — | — | — | — | — | — | — | PWCR0 |
| Initial value | 1 | 1 | 1 | 1 | 1 | 1 | 1 | 0 |
| Read/Write | — | — | — | — | — | — | — | W |

PWCR is an 8-bit write-only register for input clock selection.

Upon reset, PWCR is initialized to H'FE.

Bits 7 to 1: Reserved bits

Bits 7 to 1 are reserved; they are always read as 1, and cannot be modified.

Bit 0: Clock select 0 (PWCR0)

Bit 0 selects the clock supplied to the 14-bit PWM. This bit is a write-only bit; it is always read as 1.

Bit 0

PWCR0 Description

| | | |
|---|--|-----------------|
| 0 | The input clock is $\varnothing/2$ ($t_{\varnothing} = 2/\varnothing$). The conversion period is $16,384/\varnothing$, with a minimum modulation width of $1/\varnothing$. | (initial value) |
| 1 | The input clock is $\varnothing/4$ ($t_{\varnothing} = 4/\varnothing$). The conversion period is $32,768/\varnothing$, with a minimum modulation width of $2/\varnothing$. | |

Notation:

t_{\varnothing} : Period of PWM input clock

11.2.2 PWM Data Registers U and L (PWDRU, PWDRL)

PWDRU

| Bit | 7 | 6 | 5 | 4 | 3 | 2 | 1 | 0 |
|---------------|---|---|--------|--------|--------|--------|--------|--------|
| | — | — | PWDRU5 | PWDRU4 | PWDRU3 | PWDRU2 | PWDRU1 | PWDRU0 |
| Initial value | 1 | 1 | 0 | 0 | 0 | 0 | 0 | 0 |
| Read/Write | — | — | W | W | W | W | W | W |

PWDRL

| Bit | 7 | 6 | 5 | 4 | 3 | 2 | 1 | 0 |
|---------------|--------|--------|--------|--------|--------|--------|--------|--------|
| | PWDRL7 | PWDRL6 | PWDRL5 | PWDRL4 | PWDRL3 | PWDRL2 | PWDRL1 | PWDRL0 |
| Initial value | 0 | 0 | 0 | 0 | 0 | 0 | 0 | 0 |
| Read/Write | W | W | W | W | W | W | W | W |

PWDRU and PWDRL form a 14-bit write-only register, with the upper 6 bits assigned to PWDRU and the lower 8 bits to PWDRL. The value written to PWDRU and PWDRL gives the total high-level width of one PWM waveform cycle.

When 14-bit data is written to PWDRU and PWDRL, the register contents are latched in the PWM waveform generator, updating the PWM waveform generation data. The 14-bit data should always be written in the following sequence:

1. Write the lower 8 bits to PWDRL.
2. Write the upper 6 bits to PWDRU.

PWDRU and PWDRL are write-only registers. If they are read, all bits are read as 1.

Upon reset, PWDRU and PWDRL are initialized to H'C000.

11.3 Operation

When using the 14-bit PWM, set the registers in the following sequence.

1. Set bit PWM in port mode register 1 (PMR1) to 1 so that pin P1₄/PWM is designated for PWM output.
www.DataSheet4U.com
2. Set bit PWCR0 in the PWM control register (PWCR) to select a conversion period of either 32,768/ϕ (PWCR0 = 1) or 16,384/ϕ (PWCR0 = 0).
3. Set the output waveform data in PWM data registers U and L (PWDRU/L). Be sure to write in the correct sequence, first PWDRL then PWDRU. When data is written to PWDRU, the data in these registers will be latched in the PWM waveform generator, updating the PWM waveform generation in synchronization with internal signals.

One conversion period consists of 64 pulses, as shown in figure 11-2. The total of the high-level pulse widths during this period (T_H) corresponds to the data in PWDRU and PWDRL. This relation can be represented as follows.

$$T_H = (\text{data value in PWDRU and PWDRL} + 64) \times t_\phi / 2$$

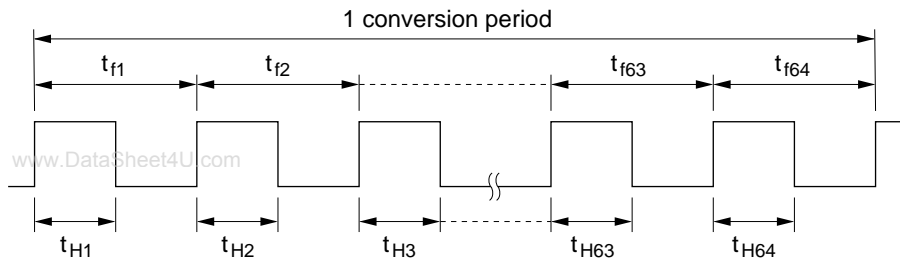
where t_ϕ is the PWM input clock period, either $2/\phi$ (bit PWCR0 = 0) or $4/\phi$ (bit PWCR0 = 1).

Example: Settings in order to obtain a conversion period of 8,192 μs:

When bit PWCR0 = 0, the conversion period is 16,384/ϕ, so ϕ must be 2 MHz. In this case $t_{fn} = 128 \mu\text{s}$, with $1/\phi$ (resolution) = 0.5 μs.

When bit PWCR0 = 1, the conversion period is 32,768/ϕ, so ϕ must be 4 MHz. In this case $t_{fn} = 128 \mu\text{s}$, with $2/\phi$ (resolution) = 0.5 μs.

Accordingly, for a conversion period of 8,192 μs, the system clock frequency (ϕ) must be 2 MHz or 4 MHz.



$$T_H = t_{H1} + t_{H2} + t_{H3} + \dots + t_{H64}$$

$$t_{f1} = t_{f2} = t_{f3} \dots = t_{f84}$$

Figure 11-2 PWM Output Waveform

Section 12 A/D Converter

12.1 Overview

The H8/3927 Series includes on-chip a resistance-ladder-based successive-approximation analog-to-digital converter, and can convert up to 8 channels of analog input.

12.1.1 Features

The A/D converter has the following features.

- 8-bit resolution
- Eight input channels
- Conversion time: approx. 12.4 μ s per channel (at 5 MHz operation)
- Built-in sample-and-hold function
- Interrupt requested on completion of A/D conversion
- A/D conversion can be started by external trigger input

12.1.2 Block Diagram

Figure 12-1 shows a block diagram of the A/D converter.

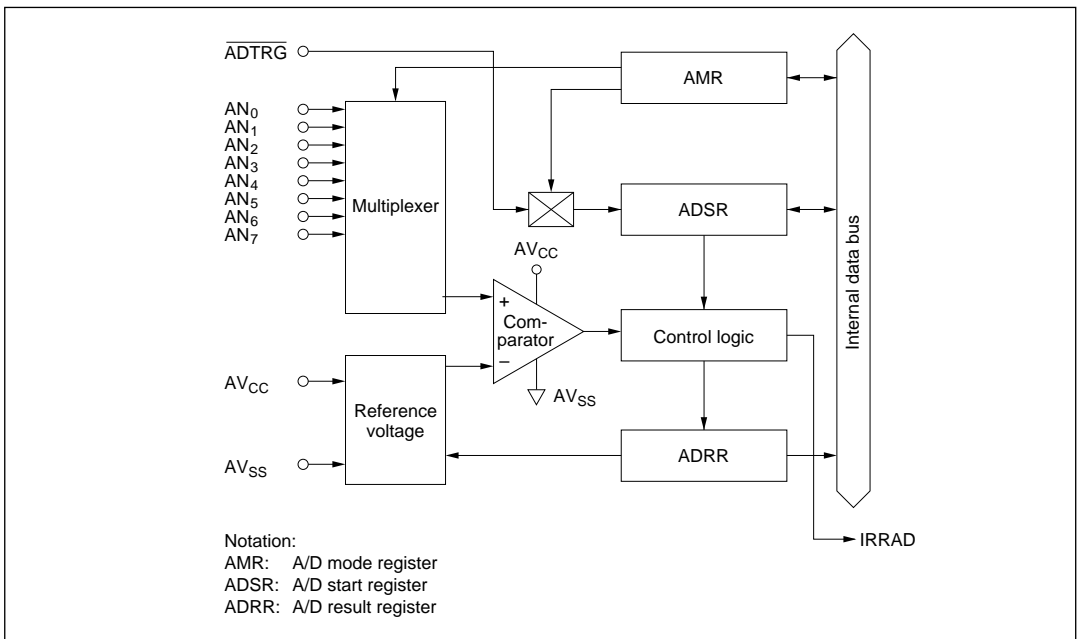


Figure 12-1 Block Diagram of the A/D Converter

12.1.3 Pin Configuration

Table 12-1 shows the A/D converter pin configuration.

Table 12-1 Pin Configuration

| Name | Abbrev. | I/O | Function |
|------------------------|------------------|-------|--|
| Analog power supply | AV _{CC} | Input | Power supply and reference voltage of analog part |
| Analog ground | AV _{SS} | Input | Ground and reference voltage of analog part |
| Analog input 0 | AN ₀ | Input | Analog input channel 0 |
| Analog input 1 | AN ₁ | Input | Analog input channel 1 |
| Analog input 2 | AN ₂ | Input | Analog input channel 2 |
| Analog input 3 | AN ₃ | Input | Analog input channel 3 |
| Analog input 4 | AN ₄ | Input | Analog input channel 4 |
| Analog input 5 | AN ₅ | Input | Analog input channel 5 |
| Analog input 6 | AN ₆ | Input | Analog input channel 6 |
| Analog input 7 | AN ₇ | Input | Analog input channel 7 |
| External trigger input | ADTRG | Input | External trigger input for starting A/D conversion |

12.1.4 Register Configuration

Table 12-2 shows the A/D converter register configuration.

Table 12-2 Register Configuration

| Name | Abbrev. | R/W | Initial Value | Address |
|---------------------|---------|-----|---------------|---------|
| A/D mode register | AMR | R/W | H'30 | H'FFC4 |
| A/D start register | ADSR | R/W | H'7F | H'FFC6 |
| A/D result register | ADRR | R | Not fixed | H'FFC5 |

12.2 Register Descriptions

12.2.1 A/D Result Register (ADRR)

| | | | | | | | | |
|---------------|-----------|-----------|-----------|-----------|-----------|-----------|-----------|-----------|
| Bit | 7 | 6 | 5 | 4 | 3 | 2 | 1 | 0 |
| | ADR7 | ADR6 | ADR5 | ADR4 | ADR3 | ADR2 | ADR1 | ADR0 |
| Initial value | Not fixed | Not fixed | Not fixed | Not fixed | Not fixed | Not fixed | Not fixed | Not fixed |
| Read/Write | R | R | R | R | R | R | R | R |

The A/D result register (ADRR) is an 8-bit read-only register for holding the results of analog-to-digital conversion.

ADRR can be read by the CPU at any time, but the ADRR values during A/D conversion are not fixed.

After A/D conversion is complete, the conversion result is stored in ADRR as 8-bit data; this data is held in ADRR until the next conversion operation starts.

ADRR is not cleared on reset.

12.2.2 A/D Mode Register (AMR)

| | | | | | | | | |
|---------------|-----|------|---|---|-----|-----|-----|-----|
| Bit | 7 | 6 | 5 | 4 | 3 | 2 | 1 | 0 |
| | CKS | TRGE | — | — | CH3 | CH2 | CH1 | CH0 |
| Initial value | 0 | 0 | 1 | 1 | 0 | 0 | 0 | 0 |
| Read/Write | R/W | R/W | — | — | R/W | R/W | R/W | R/W |

AMR is an 8-bit read/write register for specifying the A/D conversion speed, external trigger option, and the analog input pins.

Upon reset, AMR is initialized to H'30.

Bit 7: Clock select (CKS)

Bit 7 sets the A/D conversion speed.

| Bit 7 CKS | Conversion Period | Conversion Time | |
|--------------|---------------------------|------------------------|------------------------|
| | | $\phi = 2 \text{ MHz}$ | $\phi = 5 \text{ MHz}$ |
| 0 | $62/\phi$ (initial value) | 31 μs | 12.4 μs |
| 1 | $31/\phi$ | 15.5 μs | * |

Note: * Operation is not guaranteed if the conversion time is less than 12.4 μs . Set bit 7 for a value of at least 12.4 μs .

Bit 6: External trigger select (TRGE)

Bit 6 enables or disables the start of A/D conversion by external trigger input.

Bit 6

| TRGE | Description |
|------|---|
| 0 | Disables start of A/D conversion by external trigger (initial value) |
| 1 | Enables start of A/D conversion by rising or falling edge of external trigger at pin ADTRG* |

Note: * The external trigger (ADTRG) edge is selected by bit INTEG5 of IEGR2. See 3.3.2 for details.

Bits 5 and 4: Reserved bits

Bits 5 and 4 are reserved; they are always read as 1, and cannot be modified.

Bits 3 to 0: Channel select (CH3 to CH0)

Bits 3 to 0 select the analog input channel.

The channel selection should be made while bit ADSF is cleared to 0.

| Bit 3 CH3 | Bit 2 CH2 | Bit 1 CH1 | Bit 0 CH0 | Analog Input Channel |
|--------------|--------------|--------------|--------------|-------------------------------------|
| 0 | 0 | * | * | No channel selected (initial value) |
| 0 | 1 | 0 | 0 | AN ₀ |
| 0 | 1 | 0 | 1 | AN ₁ |
| 0 | 1 | 1 | 0 | AN ₂ |
| 0 | 1 | 1 | 1 | AN ₃ |
| 1 | 0 | 0 | 0 | AN ₄ |
| 1 | 0 | 0 | 1 | AN ₅ |
| 1 | 0 | 1 | 0 | AN ₆ |
| 1 | 0 | 1 | 1 | AN ₇ |
| 1 | 1 | 0 | 0 | Reserved |
| 1 | 1 | 0 | 1 | Reserved |
| 1 | 1 | 1 | 0 | Reserved |
| 1 | 1 | 1 | 1 | Reserved |

Note: * Don't care

12.2.3 A/D Start Register (ADSR)

| Bit | 7 | 6 | 5 | 4 | 3 | 2 | 1 | 0 |
|---------------|-----|---|---|---|---|---|---|---|
| ADSF | — | — | — | — | — | — | — | — |
| Initial value | 0 | 1 | 1 | 1 | 1 | 1 | 1 | 1 |
| Read/Write | R/W | — | — | — | — | — | — | — |

The A/D start register (ADSR) is an 8-bit read/write register for starting and stopping A/D conversion.

A/D conversion is started by writing 1 to the A/D start flag (ADSF) or by input of the designated edge of the external trigger signal, which also sets ADSF to 1. When conversion is complete, the converted data is set in the A/D result register (ADRR), and at the same time ADSF is cleared to 0.

Bit 7: A/D start flag (ADSF)

Bit 7 controls and indicates the start and end of A/D conversion.

Bit 7

| ADSF | Description |
|------|---|
| 0 | Read: Indicates the completion of A/D conversion (initial value) Write: Stops A/D conversion |
| 1 | Read: Indicates A/D conversion in progress Write: Starts A/D conversion |

Bits 6 to 0: Reserved bits

Bits 6 to 0 are reserved; they are always read as 1, and cannot be modified.

12.3 Operation

12.3.1 A/D Conversion Operation

The A/D converter operates by successive approximations, and yields its conversion result as 8-bit data.

www.DataSheet4U.com

A/D conversion begins when software sets the A/D start flag (bit ADSF) to 1. Bit ADSF keeps a value of 1 during A/D conversion, and is cleared to 0 automatically when conversion is complete.

The completion of conversion also sets bit IRRAD in interrupt request register 2 (IRR2) to 1. An A/D conversion end interrupt is requested if bit IENAD in interrupt enable register 2 (IENR2) is set to 1.

If the conversion time or input channel needs to be changed in the A/D mode register (AMR) during A/D conversion, bit ADSF should first be cleared to 0, stopping the conversion operation, in order to avoid malfunction.

12.3.2 Start of A/D Conversion by External Trigger Input

The A/D converter can be made to start A/D conversion by input of an external trigger signal. External trigger input is enabled at pin $\overline{\text{ADTRG}}$ when bit TRGE in AMR is set to 1. Then when the input signal edge designated in bit INTEG5 of interrupt edge select register 2 (IEGR2) is detected at pin $\overline{\text{ADTRG}}$, bit ADSF in ADSR will be set to 1, starting A/D conversion.

Figure 12-2 shows the timing.

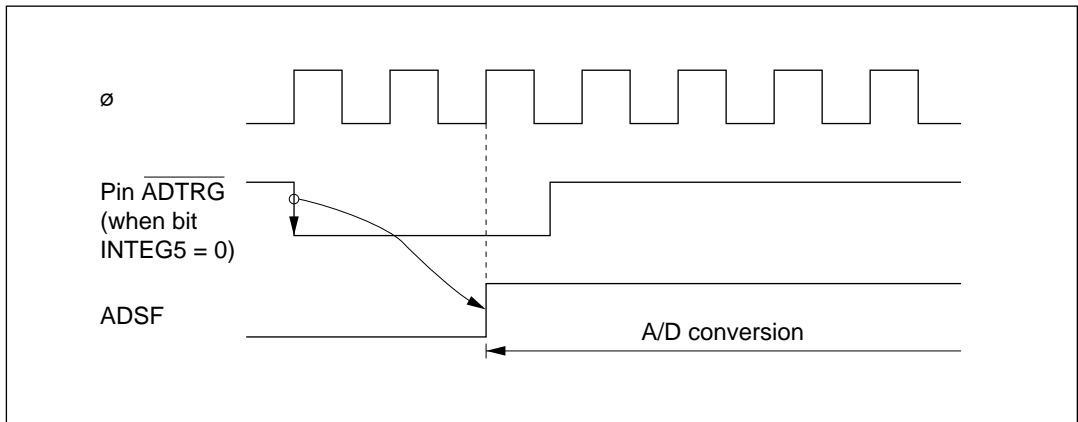


Figure 12-2 External Trigger Input Timing

12.4 Interrupts

When A/D conversion ends (ADSF changes from 1 to 0), bit IRRAD in interrupt request register 2 (IRR2) is set to 1.

A/D conversion end interrupts can be enabled or disabled by means of bit IENAD in interrupt enable register 2 (IENR2).

For further details see 3.3, Interrupts.

12.5 Typical Use

An example of how the A/D converter can be used is given below, using channel 1 (pin AN1) as the analog input channel. Figure 12-3 shows the operation timing.

1. Bits CH3 to CH0 of the A/D mode register (AMR) are set to 0101, making pin AN1 the analog input channel. A/D interrupts are enabled by setting bit IENAD to 1, and A/D conversion is started by setting bit ADSF to 1.
2. When A/D conversion is complete, bit IRRAD is set to 1, and the A/D conversion result is stored in the A/D result register (ADRR). At the same time ADSF is cleared to 0, and the A/D converter goes to the idle state.
3. Bit IENAD = 1, so an A/D conversion end interrupt is requested.
4. The A/D interrupt handling routine starts.
5. The A/D conversion result is read and processed.
6. The A/D interrupt handling routine ends.

If ADSF is set to 1 again afterward, A/D conversion starts and steps 2 through 6 take place.

Figures 12-4 and 12-5 show flow charts of procedures for using the A/D converter.

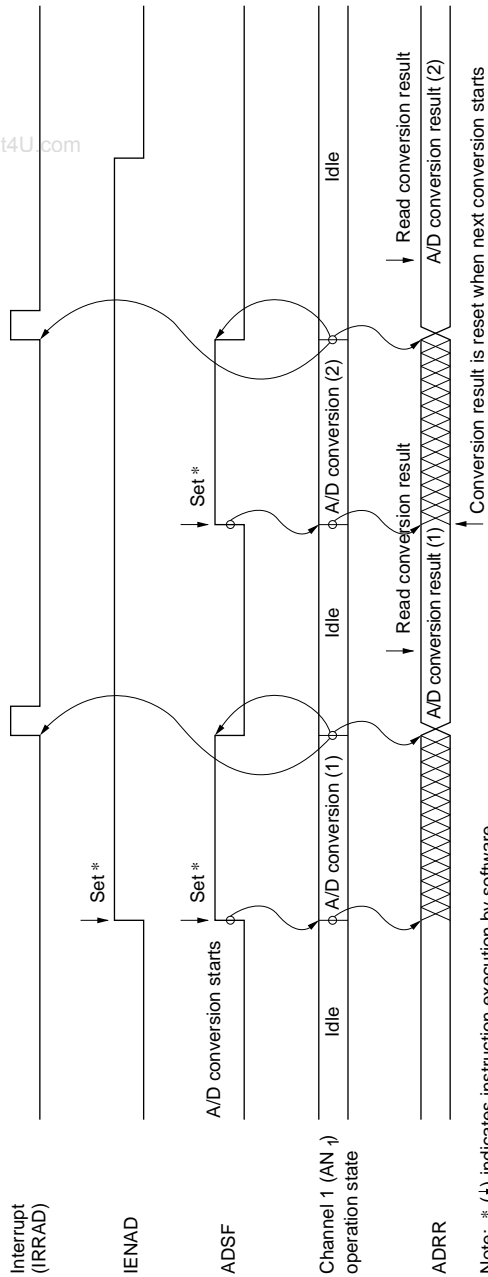


Figure 12-3 Typical A/D Converter Operation Timing

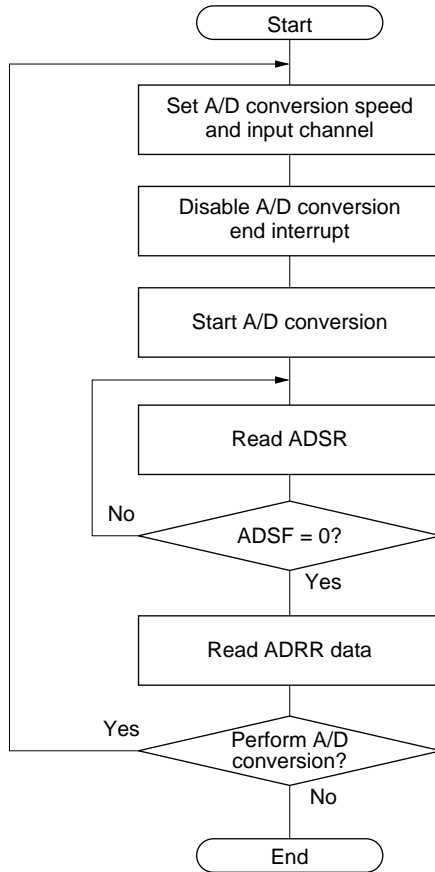


Figure 12-4 Flow Chart of Procedure for Using A/D Converter (1) (Polling by Software)

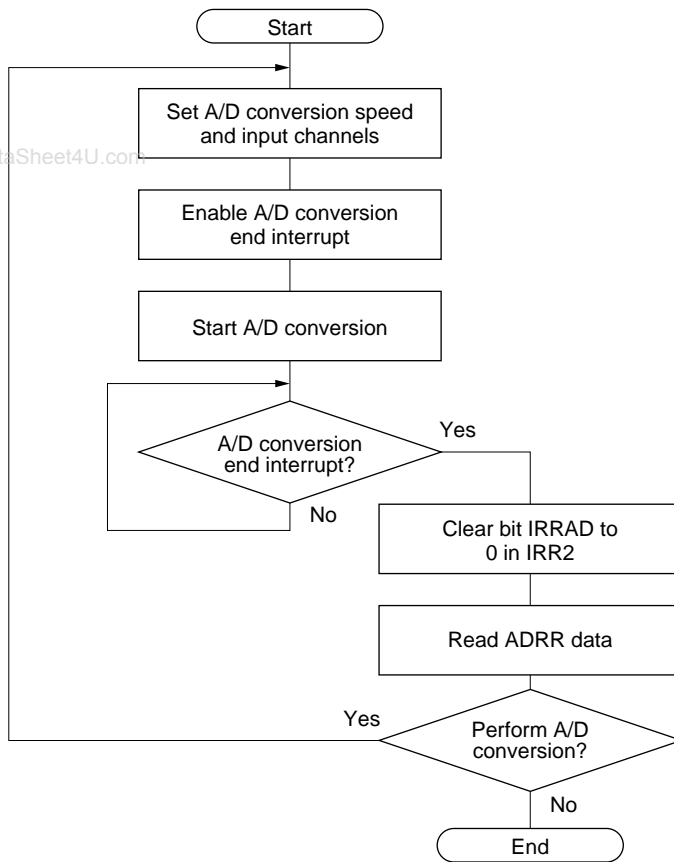


Figure 12-5 Flow Chart of Procedure for Using A/D Converter (2) (Interrupts Used)

12.6 Application Notes

- Data in the A/D result register (ADRR) should be read only when the A/D start flag (ADSF) in the A/D start register (ADSR) is cleared to 0.
- Changing the digital input signal at an adjacent pin during A/D conversion may adversely affect conversion accuracy.

Section 13 D/A Converter

13.1 Overview

The H8/3927 Series has on-chip a D/A converter that can output analog voltages on up to four channels. The D/A converter operates by voltage addition, using an R-2R resistor ladder.

13.1.1 Features

Features of the D/A converter are given below.

- 8-bit resolution
- Four output channels

13.1.2 Block Diagram

Figure 13-1 shows a block diagram of the D/A converter.

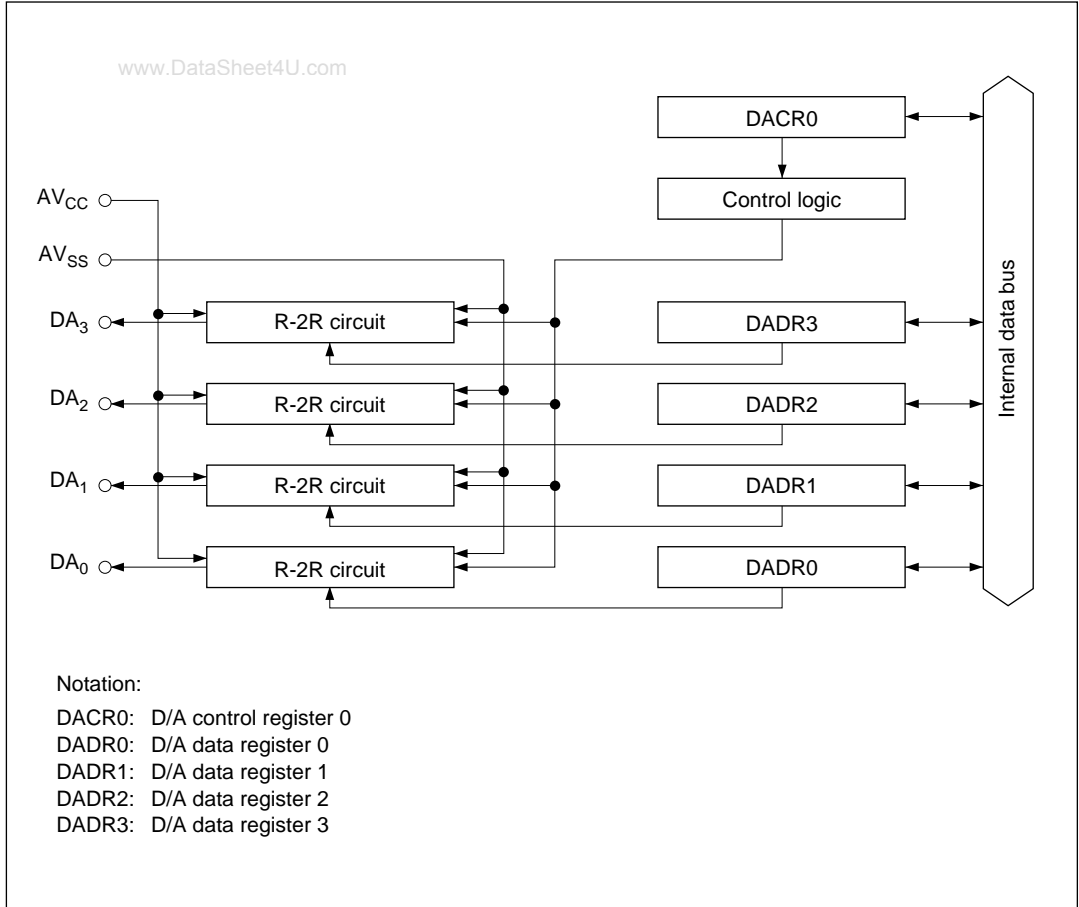


Figure 13-1 Block Diagram of D/A Converter

13.1.3 Pin Configuration

Table 13-1 shows the pin configuration of the D/A converter.

Table 13-1 Pin Configuration

| Name | Abbrev. | I/O | Function |
|---------------------|----------------|------------|---|
| Analog power supply | AV_{CC} | Input | Power supply and reference voltage of analog part |
| Analog ground | AV_{SS} | Input | Ground and reference voltage of analog part |
| Analog output 0 | DA_0 | Output | Analog output channel 0 |
| Analog output 1 | DA_1 | Output | Analog output channel 1 |
| Analog output 2 | DA_2 | Output | Analog output channel 2 |
| Analog output 3 | DA_3 | Output | Analog output channel 3 |

13.1.4 Register Configuration

Table 13-2 shows the D/A converter register configuration.

Table 13-2 Register Configuration

| Name | Abbrev. | R/W | Initial Value | Address |
|------------------------|----------------|------------|----------------------|----------------|
| D/A data register 0 | DADR0 | R/W | H'00 | H'FFC8 |
| D/A data register 1 | DADR1 | R/W | H'00 | H'FFC9 |
| D/A data register 2 | DADR2 | R/W | H'00 | H'FFCA |
| D/A data register 3 | DADR3 | R/W | H'00 | H'FFCB |
| D/A control register 0 | DACR0 | R/W | H'E0 | H'FFCC |

13.2 Register Descriptions

13.2.1 D/A Data Registers 3 to 0 (DADR3 to DADR0)

| | | | | | | | | |
|---------------|-----|-----|-----|-----|-----|-----|-----|-----|
| Bit | 7 | 6 | 5 | 4 | 3 | 2 | 1 | 0 |
| Initial value | 0 | 0 | 0 | 0 | 0 | 0 | 0 | 0 |
| Read/Write | R/W | R/W | R/W | R/W | R/W | R/W | R/W | R/W |

D/A data registers 3 to 0 (DADR3 to DADR0) are 8-bit read/write registers that store the data to be converted for channels 3 to 0. In D/A conversion, the values in DADR3 to DADR0 are continuously converted and output at the analog output pins.

Upon reset, DADR3 to DADR0 are initialized to H'00.

13.3.2 D/A Control Register 0 (DACR0)

| | | | | | | | | |
|---------------|---|---|---|------|-------|-------|-------|-------|
| Bit | 7 | 6 | 5 | 4 | 3 | 2 | 1 | 0 |
| Initial value | — | — | — | DAE0 | DAOE3 | DAOE2 | DAOE1 | DAOE0 |
| Read/Write | R | R | R | R/W | R/W | R/W | R/W | R/W |

DACR0 is an 8-bit read/write register that controls the operation of the D/A converter. Upon reset and in standby mode, DACR0 is initialized to H'E0.

Bits 7 to 5: Reserved bits

Bits 7 to 5 are reserved; they are always read as 1, and cannot be modified.

Bit 4: D/A enable 0 (DAE0)

Bit 4 controls D/A conversion. When DAE0 is cleared to 0, D/A conversion halts regardless of the settings of DADR3 to DADR0. If bits DAOE3 to DAOE0 are set to 1 in this state, an analog signal corresponding to D/A data H'00 is output from the corresponding pins.

Bit 4

| DAE0 | Description |
|------|---|
| 0 | D/A conversion halts on channels 3 to 0 (initial value) |
| 1 | D/A conversion is enabled on channels 3 to 0 |

Bit 3: D/A output enable 3 (DAOE3)

Bit 3 enables analog output on channel 3.

Bit 3

| DAOE3 | Description | |
|-------|--|-----------------|
| 0 | Channel 3 analog output is disabled (DA ₃ is in the high-impedance state) | (initial value) |
| 1 | Channel 3 analog output is enabled | |

Bit 2: D/A output enable 2 (DAOE2)

Bit 2 enables analog output on channel 2.

Bit 2

| DAOE2 | Description | |
|-------|--|-----------------|
| 0 | Channel 2 analog output is disabled (DA ₂ is in the high-impedance state) | (initial value) |
| 1 | Channel 2 analog output is enabled | |

Bit 1: D/A output enable 1 (DAOE1)

Bit 1 enables analog output on channel 1.

Bit 1

| DAOE1 | Description | |
|-------|--|-----------------|
| 0 | Channel 1 analog output is disabled (DA ₁ is in the high-impedance state) | (initial value) |
| 1 | Channel 1 analog output is enabled | |

Bit 0: D/A output enable 0 (DAOE0)

Bit 0 enables analog output on channel 0.

Bit 0

| DAOE0 | Description | |
|-------|--|-----------------|
| 0 | Channel 0 analog output is disabled (DA ₀ is in the high-impedance state) | (initial value) |
| 1 | Channel 0 analog output is enabled | |

13.3 Operation

Each of the four channels has its own R-2R resistor ladder and carries out independent D/A conversion. An R-2R resistor ladder consists of resistor elements and eight switches controlled by the DADR bits (figure 13-2). When a DADR bit is set to 1, the corresponding switch connects to AV_{CC} and supplies a voltage for output at the DA pin, the voltage depending on the bit. When two or more bits are set to 1, the sum of their voltages is output.

Example: Output voltage when bits 7, 3, and 1 are set to 1 in DADR (DADR = H'8A)

$$= \left(\frac{1}{2} + \frac{1}{32} + \frac{1}{128} \right) \times AV_{CC} = \left(\frac{69}{128} \right) \times AV_{CC}$$

Bit 7
Bit 3
Bit 1

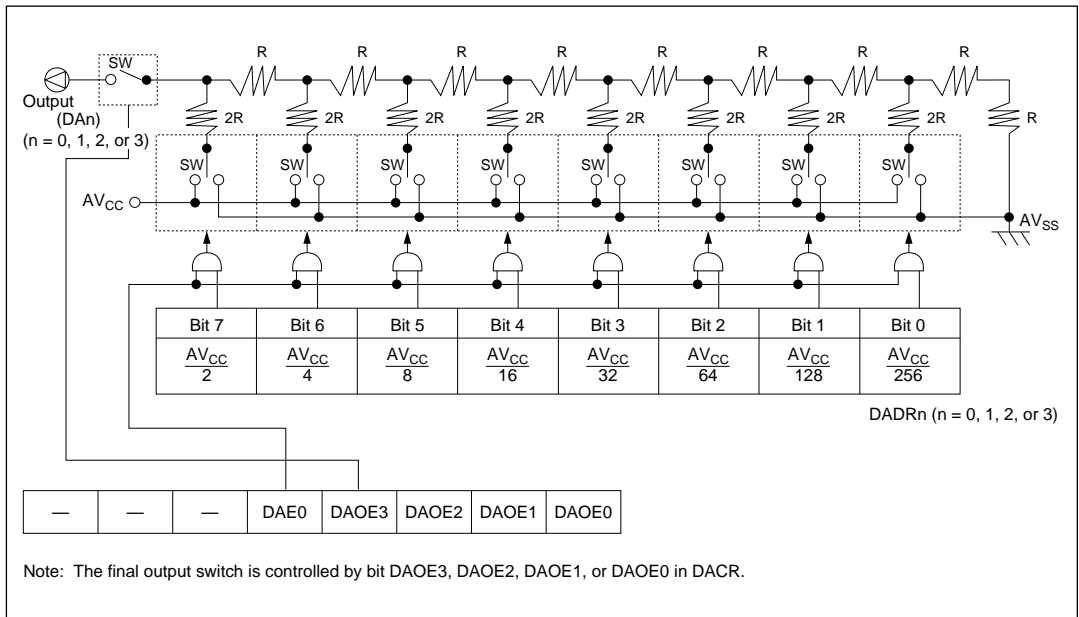


Figure 13-2 Circuit Structure of D/A Converter

The procedure for D/A conversion is:

1. Set the desired D/A data in DADR3 to DADR0.
2. In DACR0, set bit DAE0 to 1, and set the DAOE bits of the desired output channels to 1.

D/A conversion will then start on all channels, and the converted results will be output from the DA pins in the selected channels.

13.4 D/A Converter Operation States

Table 13-3 summarizes the D/A converter operation states.

Table 13-3 D/A Converter Operation States

www.DataSheet4U.com

| Operation Mode | Reset | Active | Sleep | Watch | Sub-active | Sub-sleep | Standby |
|-----------------------|--------------|---------------|--------------|--------------|-------------------|------------------|----------------|
| DADR3 to DADR0 | Reset | Functions | Functions | Functions | Functions | Functions | Retained |
| DACR0 | Reset | Functions | Functions | Functions | Functions | Functions | Reset |

13.5 Application Notes

1. Connect the D/A output pins to an op-amp or other amplifier with high input impedance.

Connecting the D/A output pins to an amplifier with low input impedance will degrade D/A conversion accuracy. Pulling these pins up or down through a resistance of a few hundred kilohms will also degrade conversion accuracy.

2. D/A conversion takes place whenever bit DAE0 is set to 1.

Transition to standby mode automatically clears DAE0 to 0, but transitions to the other power-down modes leave the DAE0 setting unchanged.

Section 14 Electrical Characteristics

14.1 Absolute Maximum Ratings

Table 14-1 lists the absolute maximum ratings.

Table 14-1 Absolute Maximum Ratings

| Item | Symbol | Value | Unit | |
|-----------------------------|--------------------------------|---------------|-------------------------|---|
| Power supply voltage | V_{CC} | -0.3 to +7.0 | V | |
| Analog power supply voltage | AV_{CC} | -0.3 to +7.0 | V | |
| Programming voltage | V_{PP} | -0.3 to +13.0 | V | |
| Input voltage | Ports other than ports B and C | V_{in} | -0.3 to $V_{CC} + 0.3$ | V |
| | Ports B and C | AV_{in} | -0.3 to $AV_{CC} + 0.3$ | V |
| Operating temperature | T_{opr} | -20 to +75 | °C | |
| Storage temperature | T_{stg} | -55 to +125 | °C | |

Note: Permanent damage may occur to the chip if maximum ratings are exceeded. Normal operation should be under the conditions specified in Electrical Characteristics. Exceeding these values can result in incorrect operation and reduced reliability.

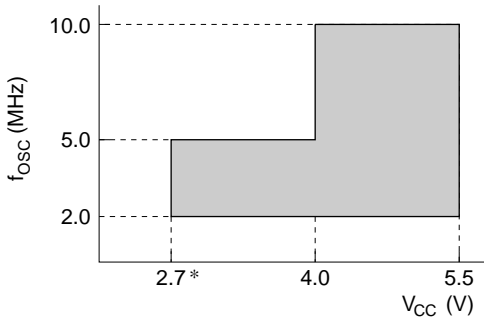
14.2 Electrical Characteristics

14.2.1 Power Supply Voltage and Operating Range

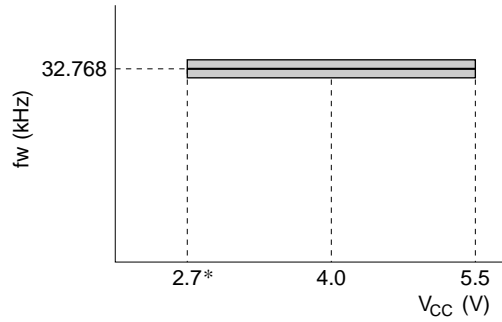
The power supply voltage and operating range are indicated by the shaded region in the figures below.

www.DataSheet4U.com

1. Power supply voltage vs. oscillator frequency range

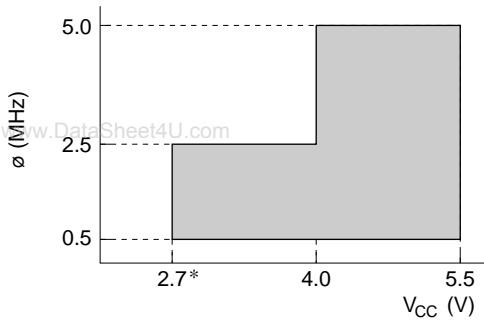


- Active mode (high and medium speeds)
- Sleep mode (high and medium speeds)

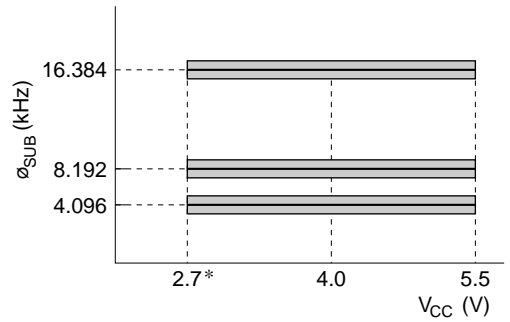


- All operating modes

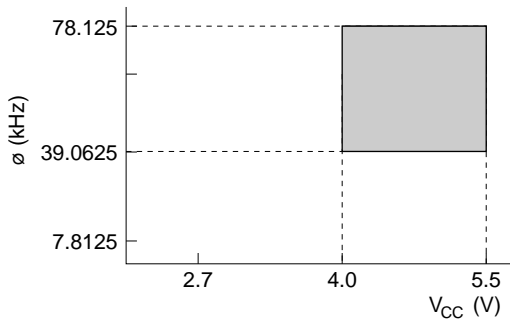
2. Power supply voltage vs. clock frequency range



- Active (high speed) mode
- Sleep (high speed) mode (except CPU)

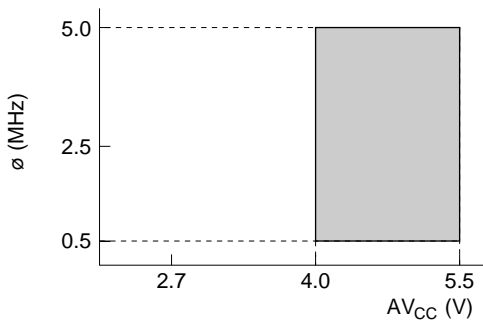


- Subactive mode
- Subsleep mode (except CPU)
- Watch mode (except CPU)



- Active (medium speed) mode
- Sleep (medium speed) mode (except CPU)

3. Analog power supply voltage vs. A/D converter operating range



- Active (high speed) mode
- Sleep (high speed) mode

Don't use in these modes.

- Active (medium speed) mode
- Sleep (medium speed) mode

Note: * 2.5 V for the HD6433927, HD6433926, HD6433925, and HD6433924.

14.2.2 DC Characteristics

Table 14-2 lists the DC characteristics.

Table 14-2 DC Characteristics

$V_{CC} = 4.0\text{ V to }5.5\text{ V}$, $V_{SS} = 0.0\text{ V}$, $T_a = -20^\circ\text{C to }+75^\circ\text{C}$ unless otherwise indicated.

| Item | Symbol | Applicable Pins | Values | | | Unit | Test Condition | Notes |
|--------------------|------------------|---|----------------|-----|-----------------|------|---|-------|
| | | | Min | Typ | Max | | | |
| Input high voltage | V_{IH} | RES, NMI, INT ₀ to INT ₇ , IRQ ₀ to IRQ ₃ , ADTRG, TMIB, TMIY, TMRIV, TMCIV, FTCL, FTIA, FTIB, FTIC, FTID, CS, SCK ₁ , SCK ₂ , TMIC, TRGV | $0.8 V_{CC}$ | — | $V_{CC} + 0.3$ | V | | |
| | | | $0.9 V_{CC}$ | — | $V_{CC} + 0.3$ | | $V_{CC} = 2.5\text{ V to }5.5\text{ V}$ including subactive mode | |
| | | UD, SI ₁ , SI ₂ , P1 ₀ to P1 ₇ , P3 ₀ to P3 ₇ , P4 ₀ to P4 ₇ , P5 ₀ to P5 ₇ , P6 ₀ to P6 ₇ , P7 ₀ to P7 ₇ , P8 ₀ to P8 ₇ | $0.7 V_{CC}$ | — | $V_{CC} + 0.3$ | V | | |
| | | | $0.8 V_{CC}$ | — | $V_{CC} + 0.3$ | | $V_{CC} = 2.5\text{ V to }5.5\text{ V}$ including subactive mode | |
| | | PB ₀ to PB ₇ , PC ₀ to PC ₃ | $0.7 V_{CC}$ | — | $AV_{CC} + 0.3$ | V | | |
| | | | $0.8 V_{CC}$ | — | $AV_{CC} + 0.3$ | | $V_{CC} = 2.5\text{ V to }5.5\text{ V}$ including subactive mode | |
| | OSC ₁ | | $V_{CC} - 0.5$ | — | $V_{CC} + 0.3$ | V | | |
| | | | $V_{CC} - 0.3$ | — | $V_{CC} + 0.3$ | | $V_{CC} = 2.5\text{ V to }5.5\text{ V}$ including subactive mode | |

Note: Connect the TEST pin to V_{SS} .

Table 14-2 DC Characteristics (cont)

$V_{CC} = 4.0\text{ V to }5.5\text{ V}$, $V_{SS} = 0.0\text{ V}$, $T_a = -20^{\circ}\text{C to }+75^{\circ}\text{C}$ unless otherwise indicated.

| Item | Symbol | Applicable Pins | Values | | | Unit | Test Condition | Notes |
|-------------------|----------|---|--------|-----|--------------|------|---|-------|
| | | | Min | Typ | Max | | | |
| Input low voltage | V_{IL} | RES, NMI, $\overline{\text{INT}}_0$ to $\overline{\text{INT}}_7$, IRQ ₀ to IRQ ₃ , ADTRG, TMIB, TMIY, TMRIV, TMCIV, FTCL, FTIA, FTIB, FTIC, FTID, CS, SCK ₁ , SCK ₂ , TMIC, TRGV | -0.3 | — | $0.2 V_{CC}$ | V | $V_{CC} = 2.5\text{ V to }5.5\text{ V}$ including subactive mode | |
| | | UD, SI ₁ , SI ₂ , P1 ₀ to P1 ₇ , P3 ₀ to P3 ₇ , P4 ₀ to P4 ₇ , P5 ₀ to P5 ₇ , P6 ₀ to P6 ₇ , P7 ₀ to P7 ₇ , P8 ₀ to P8 ₇ , PB ₀ to PB ₇ , PC ₀ to PC ₃ | -0.3 | — | $0.3 V_{CC}$ | | | |
| | | OSC ₁ | -0.3 | — | 0.5 | V | $V_{CC} = 2.5\text{ V to }5.5\text{ V}$ including subactive mode | |
| | | | -0.3 | — | 0.3 | | | |
| | | | | | | | | |

Note: Connect the TEST pin to V_{SS} .

Table 14-2 DC Characteristics (cont)
 $V_{CC} = 4.0\text{ V to }5.5\text{ V}$, $V_{SS} = 0.0\text{ V}$, $T_a = -20^\circ\text{C to }+75^\circ\text{C}$ unless otherwise indicated.

| Item | Symbol | Applicable Pins | Values | | | Unit | Test Condition | Notes |
|------------------------------|------------|--|----------------|-----|-----|---------------|--|-------|
| | | | Min | Typ | Max | | | |
| Output high voltage | V_{OH} | P1 ₀ to P1 ₇ , P3 ₀ to P3 ₇ , P4 ₀ to P4 ₇ , P5 ₀ to P5 ₇ , P6 ₀ to P6 ₇ , P7 ₀ to P7 ₇ , P8 ₀ to P8 ₇ , RP ₀ to RP ₇ , TMOV, FTOA, FTOB, STRB, SO ₁ , SO ₂ , TMOW, TMOE, PWM | $V_{CC} - 1.0$ | — | — | V | $-I_{OH} = 1.0\text{ mA}$ | |
| | | | $V_{CC} - 1.0$ | — | — | | $-I_{OH} = 1.5\text{ mA}$ | |
| | | | $V_{CC} - 0.5$ | — | — | | $V_{CC} = 2.5\text{ V to }5.5\text{ V}$ $-I_{OH} = 0.1\text{ mA}$ | |
| Output low voltage | V_{OL} | P1 ₀ to P1 ₇ , P3 ₀ to P3 ₇ , P5 ₀ to P5 ₇ , P6 ₀ to P6 ₇ , P7 ₀ to P7 ₇ , P8 ₀ to P8 ₇ , RP ₀ to RP ₇ , TMOV, FTOA, FTOB, STRB, SO ₁ , SO ₂ , TMOW, TMOE, PWM | — | — | 0.6 | V | $I_{OL} = 1.6\text{ mA}$ | |
| | | | — | — | 0.4 | | $V_{CC} = 2.5\text{ V to }5.5\text{ V}$ $I_{OL} = 0.4\text{ mA}$ | |
| | | P4 ₀ to P4 ₇ | — | — | 1.0 | V | $I_{OL} = 10.0\text{ mA}$ | |
| | | | — | — | 0.4 | | $I_{OL} = 1.6\text{ mA}$ | |
| | | | — | — | 0.4 | | $V_{CC} = 2.5\text{ V to }5.5\text{ V}$ $I_{OL} = 0.4\text{ mA}$ | |
| Input/output leakage current | $ I_{IL} $ | INT ₀ to INT ₇ , IRQ ₀ to IRQ ₃ , ADTRG, OSC ₁ , UD, TMIV, TMIV, TMRIV, TMCIV, FTCI, FTIA, FTIB, FTIC, FTID, CS, SI ₁ , SI ₂ , SCK ₁ , SCK ₂ , TMIC, TRGV, P1 ₀ to P1 ₇ , P3 ₀ to P3 ₇ , P4 ₀ to P4 ₇ , P5 ₀ to P5 ₇ , P6 ₀ to P6 ₇ , P7 ₀ to P7 ₇ , P8 ₀ to P8 ₇ | — | — | 1 | μA | $V_{IN} = 0.5\text{ V to } (V_{CC} - 0.5\text{ V})$ | |
| | | PB ₀ to PB ₇ , PC ₀ to PC ₃ | — | — | 1 | | $V_{IN} = 0.5\text{ V to } AV_{CC} - 0.5\text{ V}$ | |

Table 14-2 DC Characteristics (cont)
 $V_{CC} = 4.0\text{ V to }5.5\text{ V}$, $V_{SS} = 0.0\text{ V}$, $T_a = -20^\circ\text{C to }+75^\circ\text{C}$ unless otherwise indicated.

| Item | Symbol | Applicable Pins | Values | | | Unit | Test Condition | Notes |
|------------------------------------|--------------|--|---------------------------------|------------|----------|---------------|---|-------------------------|
| | | | Min | Typ | Max | | | |
| Input leakage current | I_{IL} | RES, NMI | — | — | 20 | μA | $V_{IN} = 0.5\text{ V to } (V_{CC} - 0.5\text{ V})$ | 2 |
| | | | — | — | 1 | | | 1 |
| Open-drain leakage current | I_{OD} | SO ₁ , SO ₂ | — | — | 1 | μA | $V_{IN} = 0.5\text{ V to } (V_{CC} - 0.5\text{ V})$ | |
| Pull-up MOS current | $-I_P$ | P1 ₀ to P1 ₇ , P3 ₀ to P3 ₇ , P5 ₀ to P5 ₇ | 50 | — | 300 | μA | $V_{CC} = 5\text{ V}$, $V_{IN} = 0\text{ V}$ | Reference value |
| | | | — | 25 | — | | $V_{CC} = 2.7\text{ V}$, $V_{IN} = 0\text{ V}$ | |
| Input capacitance | C_{IN} | All input pins except power supply, RES, and NMI | — | — | 15.0 | pF | $f = 1\text{ MHz}$, $V_{IN} = 0\text{ V}$, $T_a = 25^\circ\text{C}$ | |
| | | | — | — | 60.0 | | | 2 |
| | | | — | — | 15.0 | | | 1 |
| | | | — | — | 30.0 | | | 2 |
| | | | — | — | 15.0 | | | 1 |
| | | | Active mode current dissipation | I_{OPE1} | V_{CC} | | | — |
| | I_{OPE2} | V_{CC} | — | 2 | 3 | | Active (medium-speed) mode $V_{CC} = 5\text{ V}$, $f_{OSC} = 10\text{ MHz}$ | 3, 4 |
| Sleep mode current dissipation | I_{SLEEP1} | V_{CC} | — | 10 | 15 | mA | Sleep (high-speed) mode $V_{CC} = 5\text{ V}$, $f_{OSC} = 10\text{ MHz}$ | 3, 4 |
| | I_{SLEEP2} | V_{CC} | — | 2 | 3 | | Sleep (medium-speed) mode $V_{CC} = 5\text{ V}$, $f_{OSC} = 10\text{ MHz}$ | 3, 4 |
| Subactive mode current dissipation | I_{SUB} | V_{CC} | — | 80 | 120 | μA | $V_{CC} = 2.7\text{ V}$ 32-kHz crystal oscillator ($\varnothing_{SUB} = \varnothing_{W/2}$) | 3, 4 |
| | | | — | 30 | — | | $V_{CC} = 2.7\text{ V}$ 32-kHz crystal oscillator ($\varnothing_{SUB} = \varnothing_{W/8}$) | 3, 4 Reference value |

Table 14-2 DC Characteristics (cont)

$V_{CC} = 4.0\text{ V to }5.5\text{ V}$, $V_{SS} = 0.0\text{ V}$, $T_a = -20^\circ\text{C to }+75^\circ\text{C}$ unless otherwise indicated.

| Item | Symbol | Applicable Pins | Values | | | Unit | Test Condition | Notes |
|-----------------------------------|-------------|-----------------|--------|-----|-----|---------------|---|-------|
| | | | Min | Typ | Max | | | |
| Subsleep mode current dissipation | I_{SUBSP} | V_{CC} | — | 20 | 60 | μA | $V_{CC} = 2.7\text{ V}$ 32-kHz crystal oscillator ($\phi_{SUB} = \phi_{W/2}$) | 3, 4 |
| Watch mode current dissipation | I_{WATCH} | V_{CC} | — | — | 6 | μA | $V_{CC} = 2.7\text{ V}$ 32-kHz crystal oscillator | 3, 4 |
| Standby mode current dissipation | I_{STBY} | V_{CC} | — | — | 5 | μA | 32-kHz crystal oscillator not used | 3, 4 |
| RAM data retaining voltage | V_{RAM} | V_{CC} | 2 | — | — | V | | 3, 4 |

- Notes: 1. Applies to HD6433927, HD6433926, HD6433925, and HD6433924.
 2. Applies to HD6473927.
 3. Pin states during current measurement are given below.
 4. Excludes current in pull-up MOS transistors and output buffers.

| Mode | RES Pin | Internal State | Other Pins | Oscillator Pins |
|----------------------------|----------|---------------------------------------|------------|--|
| Active (high-speed) mode | V_{CC} | Operates | V_{CC} | System clock oscillator: ceramic or crystal |
| Active (medium-speed) mode | | | | Subclock oscillator: Pin $X_1 = V_{CC}$ |
| Sleep (high-speed) mode | V_{CC} | Only timers operate | V_{CC} | |
| Sleep (medium-speed) mode | | | | |
| Subactive mode | V_{CC} | Operates | V_{CC} | System clock oscillator: ceramic or crystal |
| Subsleep mode | V_{CC} | Only timers operate, CPU stops | V_{CC} | Subclock oscillator: crystal |
| Watch mode | V_{CC} | Only time base operates, CPU stops | V_{CC} | |
| Standby mode | V_{CC} | CPU and timers both stop | V_{CC} | System clock oscillator: ceramic or crystal Subclock oscillator: Pin $X_1 = V_{CC}$ |

Table 14-2 DC Characteristics (cont)

$V_{CC} = 4.0\text{ V to }5.5\text{ V}$, $V_{SS} = 0.0\text{ V}$, $T_a = -20^\circ\text{C to }+75^\circ\text{C}$, unless otherwise indicated.

| Item | Symbol | Values | | | Unit | |
|---|---------------------------|--------------------|-----|-----|------|----|
| | | Min | Typ | Max | | |
| Allowable output low current (per pin) | Output pins except port 4 | I_{OL} | — | — | 2 | mA |
| | Port 4 | | — | — | 10 | |
| Allowable output low current (total) | Output pins except port 4 | ΣI_{OL} | — | — | 40 | mA |
| | Port 4 | | — | — | 80 | |
| Allowable output high current (per pin) | All output pins | $-I_{OH}$ | — | — | 2 | mA |
| Allowable output high current (total) | All output pins | $\Sigma (-I_{OH})$ | — | — | 30 | mA |

14.2.3 AC Characteristics

Table 14-3 lists the control signal timing, and tables 14-4 and 14-5 list the serial interface timing.

Table 14-3 Control Signal Timing

$V_{CC} = 4.0\text{ V to }5.5\text{ V}$, $V_{SS} = 0.0\text{ V}$, $T_a = -20^\circ\text{C to }+75^\circ\text{C}$, unless otherwise specified.

| Item | Symbol | Applicable Pins | Values | | | Unit | Test Condition | Reference Figure |
|---|--------------|-------------------------------------|--------|--------|------|---------------------------|---|------------------|
| | | | Min | Typ | Max | | | |
| System clock oscillation frequency | f_{OSC} | OSC ₁ , OSC ₂ | 2 | — | 10 | MHz | $V_{CC} = 2.5\text{ V to }5.5\text{ V}$ | |
| | | | 2 | — | 5 | | | |
| OSC clock (\emptyset_{OSC}) cycle time | t_{OSC} | OSC ₁ , OSC ₂ | 100 | — | 1000 | ns | $V_{CC} = 2.5\text{ V to }5.5\text{ V}$ | 1 |
| | | | 200 | — | 1000 | | | Figure 14-1 |
| System clock (\emptyset) cycle time | t_{cyc} | | 2 | — | 128 | t_{OSC} | $V_{CC} = 2.5\text{ V to }5.5\text{ V}$ | 1 |
| | | | — | — | 25.5 | | | |
| Subclock oscillation frequency | f_W | X ₁ , X ₂ | — | 32.768 | — | kHz | $V_{CC} = 2.5\text{ V to }5.5\text{ V}$ | |
| Watch clock (\emptyset_W) cycle time | t_W | X ₁ , X ₂ | — | 30.5 | — | μs | $V_{CC} = 2.5\text{ V to }5.5\text{ V}$ | |
| Subclock (\emptyset_{SUB}) cycle time | t_{subcyc} | | 2 | — | 8 | t_W | $V_{CC} = 2.5\text{ V to }5.5\text{ V}$ | 2 |
| Instruction cycle time | | | 2 | — | — | t_{cyc} t_{subcyc} | $V_{CC} = 2.5\text{ V to }5.5\text{ V}$ | |
| Oscillation stabilization time (crystal oscillator) | t_{rc} | OSC ₁ , OSC ₂ | — | — | 40 | ms | $V_{CC} = 2.5\text{ V to }5.5\text{ V}$ | |
| | | | — | — | 60 | | | |
| Oscillation stabilization time (ceramic oscillator) | t_{rc} | OSC ₁ , OSC ₂ | — | — | 20 | ms | $V_{CC} = 2.5\text{ V to }5.5\text{ V}$ | |
| | | | — | — | 40 | | | |
| Oscillation stabilization time | t_{rc} | X ₁ , X ₂ | — | — | 2 | s | | |
| External clock high width | t_{CPH} | OSC ₁ | 40 | — | — | ns | $V_{CC} = 2.5\text{ V to }5.5\text{ V}$ | Figure 14-1 |
| | | | 80 | — | — | | | |
| External clock low width | t_{CPL} | OSC ₁ | 40 | — | — | ns | $V_{CC} = 2.5\text{ V to }5.5\text{ V}$ | Figure 14-1 |
| | | | 80 | — | — | | | |
| External clock rise time | t_{CPr} | | — | — | 15 | ns | $V_{CC} = 2.5\text{ V to }5.5\text{ V}$ | |
| | | | — | — | 20 | | | |
| External clock fall time | t_{CPf} | | — | — | 15 | ns | $V_{CC} = 2.5\text{ V to }5.5\text{ V}$ | |
| | | | — | — | 20 | | | |
| Pin RES low width | t_{REL} | RES | 10 | — | — | t_{cyc} | $V_{CC} = 2.5\text{ V to }5.5\text{ V}$ | Figure 14-2 |

Notes: 1. A frequency between 1 MHz to 10 MHz is required when an external clock is input.

2. Selected with SA1 and SA0 of system clock control register 2 (SYSCR2).

Table 14-3 Control Signal Timing (cont)

$V_{CC} = 4.0\text{ V to }5.5\text{ V}$, $V_{SS} = 0.0\text{ V}$, $T_a = -20^\circ\text{C to }+75^\circ\text{C}$, unless otherwise specified.

| Item | Symbol | Applicable Pins | Values | | | Unit | Test Condition | Reference Figure |
|--|------------------------|---|--------|-----|-----|---------------------------|----------------|------------------|
| | | | Min | Typ | Max | | | |
| Input pin high width <small>www.DataSheet4U.com</small> | t_{IH} | NMI, \overline{IRQ}_0 to \overline{IRQ}_3 , \overline{INT}_0 to \overline{INT}_7 , ADTRG, TMIB, TMIY, TMCIV, TMIC, TMRIV, FTCL, FTIA, FTIB, FTIC, FTID, TRGV | 2 | — | — | t_{cyc} t_{subcyc} | | Figure 14-3 |
| Input pin low width | t_{IL} | NMI, \overline{IRQ}_0 to \overline{IRQ}_3 , \overline{INT}_0 to \overline{INT}_7 , ADTRG, TMIB, TMIY, TMCIV, TMIC, TMRIV, FTCL, FTIA, FTIB, FTIC, FTID, TRGV | 2 | — | — | t_{cyc} t_{subcyc} | | Figure 14-3 |
| Pin UD minimum modulation width | t_{UDH} t_{UDL} | UD | 4 | — | — | t_{cyc} t_{subcyc} | | Figure 14-4 |

Table 14-4 Serial Interface (SCI1, SCI2) Timing

$V_{CC} = 4.0\text{ V to }5.5\text{ V}$, $V_{SS} = 0.0\text{ V}$, $T_a = -20^\circ\text{C to }+75^\circ\text{C}$, unless otherwise specified.

| Item | Symbol | Applicable Pins | Values | | | Unit | Test Condition | Reference Figure |
|-------------------------------|------------|-------------------------------------|--------|-----|-----|------------|---|------------------|
| | | | Min | Typ | Max | | | |
| Input serial clock cycle time | t_{scyc} | SCK ₁ , SCK ₂ | 2 | — | — | t_{cyc} | | Figure 14-5 |
| Input serial clock high width | t_{SCKH} | SCK ₁ , SCK ₂ | 0.4 | — | — | t_{scyc} | | |
| Input serial clock low width | t_{SCKL} | SCK ₁ , SCK ₂ | 0.4 | — | — | t_{scyc} | | |
| Input serial clock rise time | t_{SCKr} | SCK ₁ , SCK ₂ | — | — | 60 | ns | | |
| | | | — | — | 80 | | $V_{CC} = 2.5\text{ V to }5.5\text{ V}$ | |
| Input serial clock fall time | t_{SCKf} | SCK ₁ , SCK ₂ | — | — | 60 | ns | | |
| | | | — | — | 80 | | $V_{CC} = 2.5\text{ V to }5.5\text{ V}$ | |
| Serial output data delay time | t_{SOD} | SO ₁ , SO ₂ | — | — | 200 | ns | | |
| | | | — | — | 350 | | $V_{CC} = 2.5\text{ V to }5.5\text{ V}$ | |
| Serial input data setup time | t_{SIS} | SI ₁ , SI ₂ | 180 | — | — | ns | | |
| | | | 360 | — | — | | $V_{CC} = 2.5\text{ V to }5.5\text{ V}$ | |
| Serial input data hold time | t_{SIH} | SI ₁ , SI ₂ | 180 | — | — | ns | | |
| | | | 360 | — | — | | $V_{CC} = 2.5\text{ V to }5.5\text{ V}$ | |
| CS setup time | t_{CSS} | CS | 1 | — | — | t_{scyc} | | Figure 14-6 |
| CS hold time | t_{CSH} | CS | 1 | — | — | t_{scyc} | | |

14.2.4 A/D Converter Characteristics

Table 14-5 shows the A/D converter characteristics.

Table 14-5 A/D Converter Characteristics

$V_{CC} = 4.0\text{ V to }5.5\text{ V}$, $AV_{CC} = 4.0\text{ V to }5.5\text{ V}$, $V_{SS} = AV_{SS} = 0.0\text{ V}$, $T_a = -20^\circ\text{C to }+75^\circ\text{C}$, unless otherwise specified.

| Item | Symbol | Applicable Pins | Values | | | Unit | Test Condition | Reference Figure |
|-----------------------------------|--------------|------------------|----------------|-----------|----------------|------------------|---|----------------------|
| | | | Min | Typ | Max | | | |
| Analog power supply voltage | AV_{CC} | AV_{CC} | $V_{CC} - 0.3$ | V_{CC} | $V_{CC} + 0.3$ | V | | 1 |
| Analog input voltage | AV_{IN} | AN_0 to AN_7 | AV_{SS} | — | AV_{CC} | V | | |
| Analog power supply current | AI_{CC} | AV_{CC} | — | — | 1.5 | mA | $AV_{CC} = 5\text{ V}$ | |
| | AI_{STOP1} | AV_{CC} | — | 150 | — | μA | | 2 Reference value |
| | AI_{STOP2} | AV_{CC} | — | — | 5 | μA | | 3 |
| Analog input capacitance | C_{AIN} | AN_0 to AN_7 | — | — | 30 | pF | | |
| Allowable signal source impedance | R_{AIN} | AN_0 to AN_7 | — | — | 10 | $\text{k}\Omega$ | | |
| Resolution | | | — | — | 8 | bit | | |
| Absolute accuracy | | | — | — | ± 2.5 | LSB | $V_{CC} = AV_{CC} = 5\text{ V}$ | |
| | | | — | ± 2.5 | — | LSB | $V_{CC} = AV_{CC} = 4.0\text{ V to }5.5\text{ V}$ | Reference value |
| Conversion time | | | 12.4 | — | 124 | μs | | |

Notes: 1. Set $AV_{CC} = V_{CC}$ when the A/D converter is not used.

2. AI_{STOP1} is the current in active and sleep modes while the A/D converter is idle.

3. AI_{STOP2} is the current at reset and in standby, watch, subactive, and subsleep modes while the A/D converter is idle.

14.2.5 D/A Converter Characteristics

Table 14-6 shows the D/A converter characteristics.

Table 14-6 D/A Converter Characteristics

$V_{CC} = 4.0\text{ V to }5.5\text{ V}$, $AV_{CC} = 4.0\text{ V to }5.5\text{ V}$, $V_{SS} = AV_{SS} = 0.0\text{ V}$, $T_a = -20^\circ\text{C to }+75^\circ\text{C}$ unless otherwise indicated.

| Item | Symbol | Applicable Pins | Values | | | Unit | Test Condition | Notes |
|-----------------------------|-------------|------------------|----------------|----------|------------------------|---------------|--|------------------|
| | | | Min | Typ | Max | | | |
| Analog power supply voltage | AV_{CC} | AV_{CC} | $V_{CC} - 0.3$ | V_{CC} | $V_{CC} + 0.3$ | V | | |
| Analog output voltage | AV_{OUT} | DA_0 to DA_3 | AV_{SS} | — | (255/256) AV_{CC} | V | Output open | |
| Analog power supply current | AI_{CC} | AV_{CC} | — | — | 8 | mA | $AV_{CC} = 5\text{ V}$, 1-M Ω load | 1 |
| | AI_{STOP} | | — | — | 4 | μA | | 2 |
| Output resistance | R_o | DA_0 to DA_3 | — | 4 | — | k Ω | | |
| Resolution | | | — | — | 8 | bit | | |
| Absolute accuracy | | | — | — | ± 2 | LSB | $V_{CC} = AV_{CC} = 5\text{ V}$ | |
| Data setup time | t_{su} | | — | — | 3 | μs | $V_{CC} = 5\text{ V}$, $f_{osc} = 10\text{ MHz}$ | 3 Figure 14-7 |

Notes: 1. Current value when all four channels are converting.

2. Current value at reset or when bit DAE0 is cleared to 0 in D/A control register 0 (DACR0).

3. Data setup time (t_{su}): time until data has been transferred into D/A data register and analog output has stabilized.

14.3 Operation Timing

Figures 14-1 to 14-7 show timing diagrams.

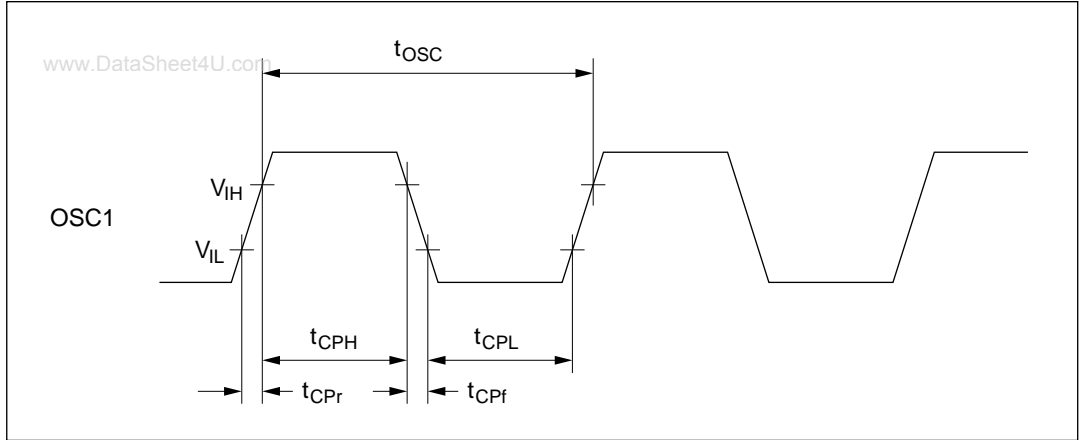


Figure 14-1 System Clock Input Timing

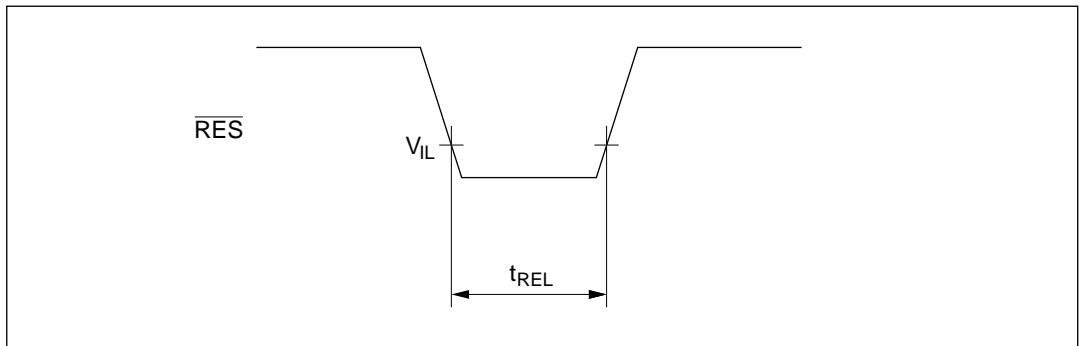


Figure 14-2 \overline{RES} Low Width

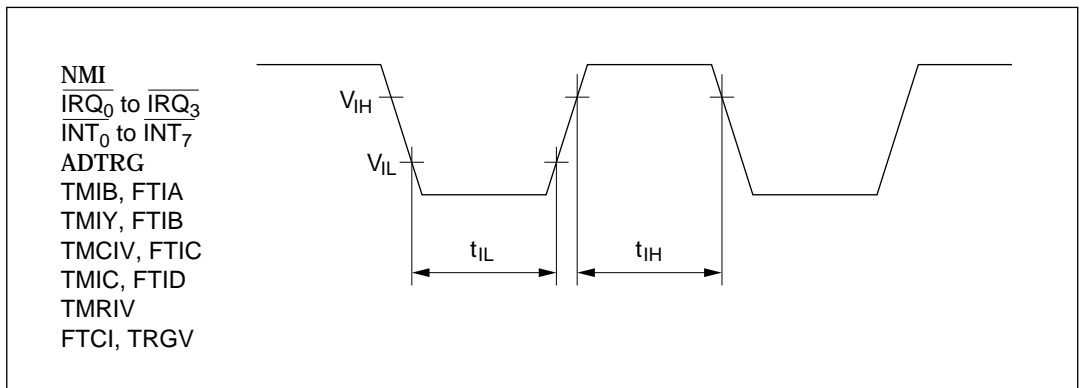


Figure 14-3 Input Timing

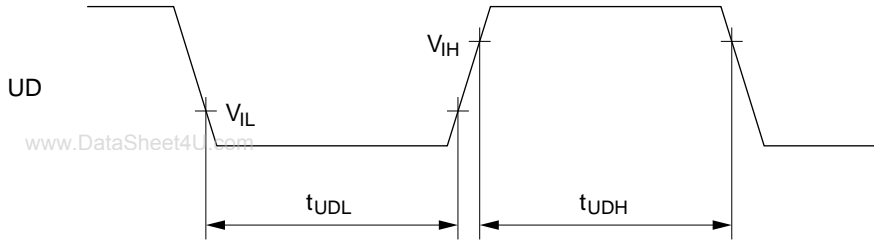
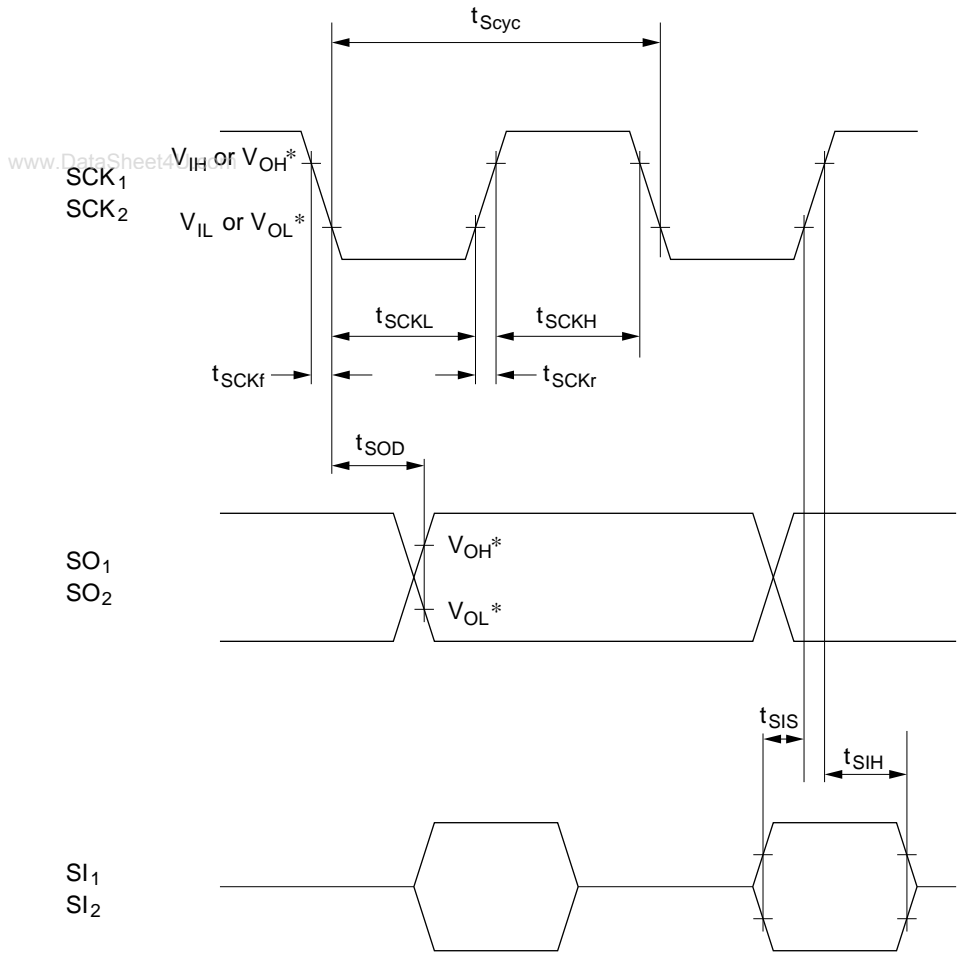


Figure 14-4 Minimum UD High and Low Width



Notes: * Output timing reference levels
 Output high: $V_{OH} = 2.0\text{ V}$
 Output low: $V_{OL} = 0.8\text{ V}$
 Load conditions are shown in figure 14-8.

Figure 14-5 Serial Interface 1 and 2 Input/Output Timing

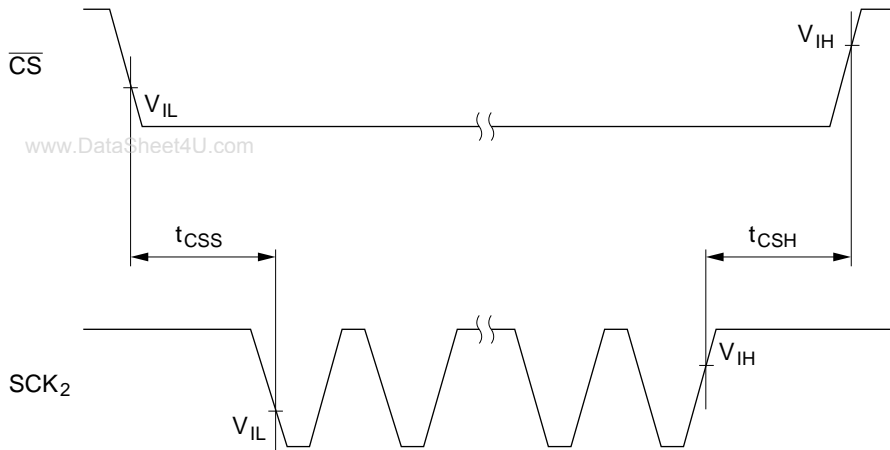


Figure 14-6 Serial Interface 2 Chip Select Timing

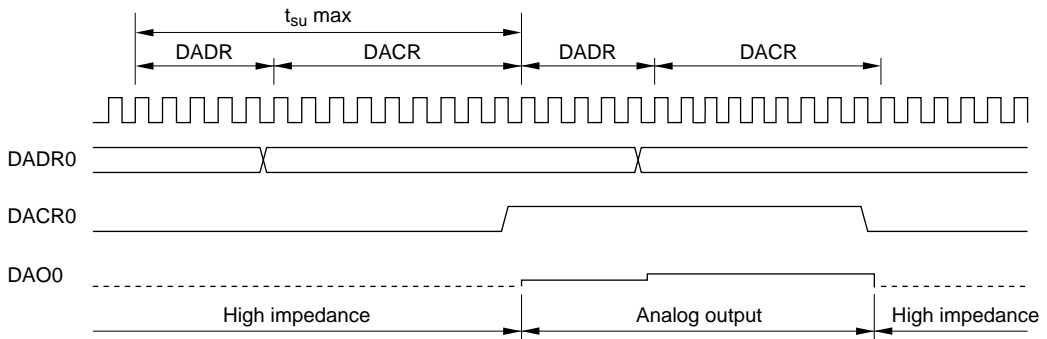


Figure 14-7 D/A Converter Output Timing

14.4 Output Load Circuit

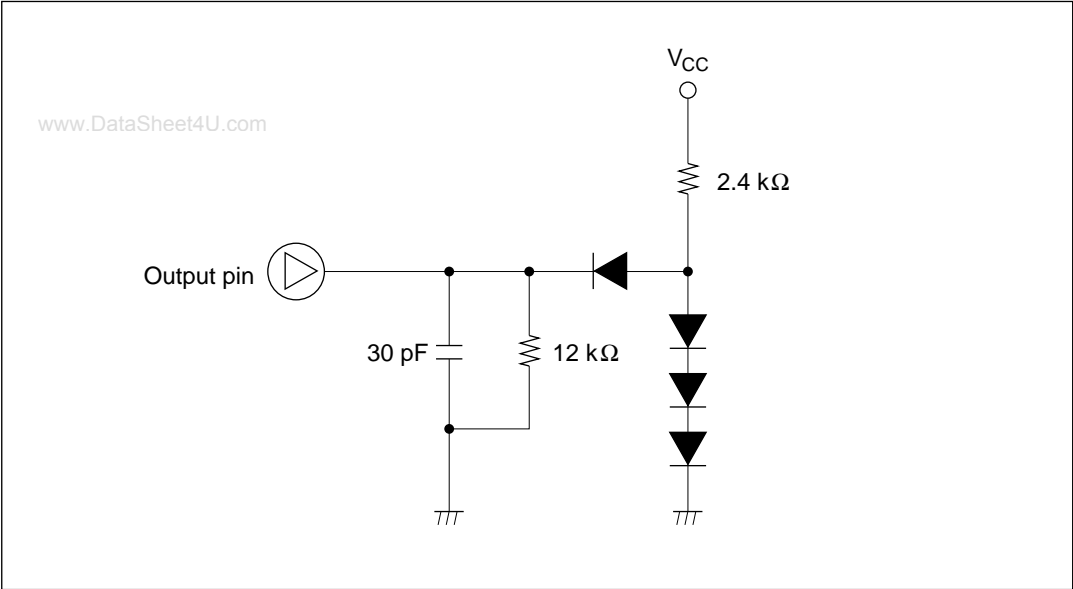


Figure 14-8 Output Load Condition

Appendix A CPU Instruction Set

A.1 Instructions

Operation Notation

| | |
|-------------|---|
| Rd8/16 | General register (destination) (8 or 16 bits) |
| Rs8/16 | General register (source) (8 or 16 bits) |
| Rn8/16 | General register (8 or 16 bits) |
| CCR | Condition code register |
| N | N (negative) flag in CCR |
| Z | Z (zero) flag in CCR |
| V | V (overflow) flag in CCR |
| C | C (carry) flag in CCR |
| PC | Program counter |
| SP | Stack pointer |
| #xx: 3/8/16 | Immediate data (3, 8, or 16 bits) |
| d: 8/16 | Displacement (8 or 16 bits) |
| @aa: 8/16 | Absolute address (8 or 16 bits) |
| + | Addition |
| − | Subtraction |
| × | Multiplication |
| ÷ | Division |
| ∧ | Logical AND |
| ∨ | Logical OR |
| ⊕ | Exclusive logical OR |
| → | Move |
| — | Logical complement |

Condition Code Notation

Symbol

| | |
|---|--|
| ↑ | Modified according to the instruction result |
| * | Not fixed (value not guaranteed) |
| 0 | Always cleared to 0 |
| — | Not affected by the instruction execution result |

Table A-1 lists the H8/300L CPU instruction set.

Table A-1 Instruction Set

| Mnemonic | Operand Size | Operation | Addressing Mode/ Instruction Length (bytes) | | | | | | | | Condition Code | | | | | | No. of States | |
|-----------------------|--------------|-------------------------------|--|----|-----|--------------|------------|-----------|-------------|-------|----------------|---|---|---|---|---|---------------|---|
| | | | #xx: 8/16 | Rn | @Rn | @ (d:16, Rn) | @ -Rn/@Rn+ | @aa: 8/16 | @ (d:8, PC) | @ @aa | Implied | I | H | N | Z | V | | C |
| | | | | | | | | | | | | | | | | | | |
| MOV.B #xx:8, Rd | B | #xx:8 → Rd8 | 2 | | | | | | | | | | ↓ | ↓ | 0 | — | 2 | |
| MOV.B Rs, Rd | B | Rs8 → Rd8 | | 2 | | | | | | | | | ↓ | ↓ | 0 | — | 2 | |
| MOV.B @Rs, Rd | B | @Rs16 → Rd8 | | | 2 | | | | | | | | ↓ | ↓ | 0 | — | 4 | |
| MOV.B @(d:16, Rs), Rd | B | @(d:16, Rs16) → Rd8 | | | | 4 | | | | | | | ↓ | ↓ | 0 | — | 6 | |
| MOV.B @Rs+, Rd | B | @Rs16 → Rd8 Rs16+1 → Rs16 | | | | | 2 | | | | | | ↓ | ↓ | 0 | — | 6 | |
| MOV.B @aa:8, Rd | B | @aa:8 → Rd8 | | | | | | 2 | | | | | ↓ | ↓ | 0 | — | 4 | |
| MOV.B @aa:16, Rd | B | @aa:16 → Rd8 | | | | | | | 4 | | | | ↓ | ↓ | 0 | — | 6 | |
| MOV.B Rs, @Rd | B | Rs8 → @Rd16 | | | 2 | | | | | | | | ↓ | ↓ | 0 | — | 4 | |
| MOV.B Rs, @(d:16, Rd) | B | Rs8 → @(d:16, Rd16) | | | | 4 | | | | | | | ↓ | ↓ | 0 | — | 6 | |
| MOV.B Rs, @-Rd | B | Rd16-1 → Rd16 Rs8 → @Rd16 | | | | | 2 | | | | | | ↓ | ↓ | 0 | — | 6 | |
| MOV.B Rs, @aa:8 | B | Rs8 → @aa:8 | | | | | | | | 2 | | | ↓ | ↓ | 0 | — | 4 | |
| MOV.B Rs, @aa:16 | B | Rs8 → @aa:16 | | | | | | | | | 4 | | ↓ | ↓ | 0 | — | 6 | |
| MOV.W #xx:16, Rd | W | #xx:16 → Rd | 4 | | | | | | | | | | ↓ | ↓ | 0 | — | 4 | |
| MOV.W Rs, Rd | W | Rs16 → Rd16 | | 2 | | | | | | | | | ↓ | ↓ | 0 | — | 2 | |
| MOV.W @Rs, Rd | W | @Rs16 → Rd16 | | | 2 | | | | | | | | ↓ | ↓ | 0 | — | 4 | |
| MOV.W @(d:16, Rs), Rd | W | @(d:16, Rs16) → Rd16 | | | | 4 | | | | | | | ↓ | ↓ | 0 | — | 6 | |
| MOV.W @Rs+, Rd | W | @Rs16 → Rd16 Rs16+2 → Rs16 | | | | | 2 | | | | | | ↓ | ↓ | 0 | — | 6 | |
| MOV.W @aa:16, Rd | W | @aa:16 → Rd16 | | | | | | | | | 4 | | ↓ | ↓ | 0 | — | 6 | |
| MOV.W Rs, @Rd | W | Rs16 → @Rd16 | | | 2 | | | | | | | | ↓ | ↓ | 0 | — | 4 | |
| MOV.W Rs, @(d:16, Rd) | W | Rs16 → @(d:16, Rd16) | | | | 4 | | | | | | | ↓ | ↓ | 0 | — | 6 | |
| MOV.W Rs, @-Rd | W | Rd16-2 → Rd16 Rs16 → @Rd16 | | | | | 2 | | | | | | ↓ | ↓ | 0 | — | 6 | |
| MOV.W Rs, @aa:16 | W | Rs16 → @aa:16 | | | | | | | | | | 4 | ↓ | ↓ | 0 | — | 6 | |
| POP Rd | W | @SP → Rd16 SP+2 → SP | | | | | 2 | | | | | | ↓ | ↓ | 0 | — | 6 | |
| PUSH Rs | W | SP-2 → SP Rs16 → @SP | | | | | 2 | | | | | | ↓ | ↓ | 0 | — | 6 | |

Table A-1 Instruction Set (cont)

| Mnemonic | Operand Size | Operation | Addressing Mode/ Instruction Length (bytes) | | | | | | | | Condition Code | | | | | No. of States | | |
|------------------|--------------|---|--|----|-----|--------------|-----------|-----------|-------------|-------|----------------|---|---|---|---|---------------|---|---|
| | | | #xx: 8/16 | Rn | @Rn | @ (d:16, Rn) | @-Rn/@Rn+ | @aa: 8/16 | @ (d:8, PC) | @ @aa | Implied | I | H | N | Z | | V | C |
| | | | | | | | | | | | | — | — | — | — | | — | — |
| EEPMOV | — | if R4L≠0 then Repeat @R5 → @R6 R5+1 → R5 R6+1 → R6 R4L-1 → R4L Until R4L=0 else next; | | | | | | | | | | | | | | | ④ | |
| ADD.B #xx:8, Rd | B | Rd8+#xx:8 → Rd8 | 2 | | | | | | | | — | ↓ | ↓ | ↓ | ↓ | ↓ | 2 | |
| ADD.B Rs, Rd | B | Rd8+Rs8 → Rd8 | | 2 | | | | | | | — | ↓ | ↓ | ↓ | ↓ | ↓ | 2 | |
| ADD.W Rs, Rd | W | Rd16+Rs16 → Rd16 | | 2 | | | | | | | — | ① | ↓ | ↓ | ↓ | ↓ | 2 | |
| ADDX.B #xx:8, Rd | B | Rd8+#xx:8 +C → Rd8 | 2 | | | | | | | | — | ↓ | ↓ | ② | ↓ | ↓ | 2 | |
| ADDX.B Rs, Rd | B | Rd8+Rs8 +C → Rd8 | | 2 | | | | | | | — | ↓ | ↓ | ② | ↓ | ↓ | 2 | |
| ADDS.W #1, Rd | W | Rd16+1 → Rd16 | | 2 | | | | | | | — | — | — | — | — | — | 2 | |
| ADDS.W #2, Rd | W | Rd16+2 → Rd16 | | 2 | | | | | | | — | — | — | — | — | — | 2 | |
| INC.B Rd | B | Rd8+1 → Rd8 | | 2 | | | | | | | — | — | ↓ | ↓ | ↓ | — | 2 | |
| DAA.B Rd | B | Rd8 decimal adjust → Rd8 | | 2 | | | | | | | — | * | ↓ | ↓ | * | ③ | 2 | |
| SUB.B Rs, Rd | B | Rd8-Rs8 → Rd8 | | 2 | | | | | | | — | ↓ | ↓ | ↓ | ↓ | ↓ | 2 | |
| SUB.W Rs, Rd | W | Rd16-Rs16 → Rd16 | | 2 | | | | | | | — | ① | ↓ | ↓ | ↓ | ↓ | 2 | |
| SUBX.B #xx:8, Rd | B | Rd8-#xx:8 -C → Rd8 | 2 | | | | | | | | — | ↓ | ↓ | ② | ↓ | ↓ | 2 | |
| SUBX.B Rs, Rd | B | Rd8-Rs8 -C → Rd8 | | 2 | | | | | | | — | ↓ | ↓ | ② | ↓ | ↓ | 2 | |
| SUBS.W #1, Rd | W | Rd16-1 → Rd16 | | 2 | | | | | | | — | — | — | — | — | — | 2 | |
| SUBS.W #2, Rd | W | Rd16-2 → Rd16 | | 2 | | | | | | | — | — | — | — | — | — | 2 | |
| DEC.B Rd | B | Rd8-1 → Rd8 | | 2 | | | | | | | — | — | ↓ | ↓ | ↓ | — | 2 | |
| DAS.B Rd | B | Rd8 decimal adjust → Rd8 | | 2 | | | | | | | — | * | ↓ | ↓ | * | — | 2 | |
| NEG.B Rd | B | 0-Rd → Rd | | 2 | | | | | | | — | ↓ | ↓ | ↓ | ↓ | ↓ | 2 | |
| CMP.B #xx:8, Rd | B | Rd8-#xx:8 | 2 | | | | | | | | — | ↓ | ↓ | ↓ | ↓ | ↓ | 2 | |
| CMP.B Rs, Rd | B | Rd8-Rs8 | | 2 | | | | | | | — | ↓ | ↓ | ↓ | ↓ | ↓ | 2 | |
| CMP.W Rs, Rd | W | Rd16-Rs16 | | 2 | | | | | | | — | ① | ↓ | ↓ | ↓ | ↓ | 2 | |

Table A-1 Instruction Set (cont)

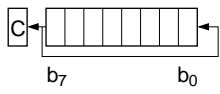
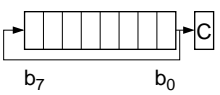
| Mnemonic | Operand Size | Operation | Addressing Mode/ Instruction Length (bytes) | | | | | | | | Condition Code | | | | | No. of States | | | |
|-------------------|--------------|---|--|----|-----|-------------|-----------|-----------|------------|------|----------------|---|---|---|---|---------------|---|---|---|
| | | | #xx: 8/16 | Rn | @Rn | @(d:16, Rn) | @-Rn/@Rn+ | @aa: 8/16 | @(d:8, PC) | @@aa | Implied | I | H | N | Z | | V | C | |
| | | | | | | | | | | | | | | | | | | | |
| ROTL.B Rd | B |  | 2 | | | | | | | | | | — | — | ↑ | ↑ | 0 | ↑ | 2 |
| ROTR.B Rd | B |  | 2 | | | | | | | | | | — | — | ↓ | ↓ | 0 | ↓ | 2 |
| BSET #xx:3, Rd | B | (#xx:3 of Rd8) ← 1 | 2 | | | | | | | | | | — | — | — | — | — | — | 2 |
| BSET #xx:3, @Rd | B | (#xx:3 of @Rd16) ← 1 | | 4 | | | | | | | | | — | — | — | — | — | — | 8 |
| BSET #xx:3, @aa:8 | B | (#xx:3 of @aa:8) ← 1 | | | | | 4 | | | | | | — | — | — | — | — | — | 8 |
| BSET Rn, Rd | B | (Rn8 of Rd8) ← 1 | 2 | | | | | | | | | | — | — | — | — | — | — | 2 |
| BSET Rn, @Rd | B | (Rn8 of @Rd16) ← 1 | | 4 | | | | | | | | | — | — | — | — | — | — | 8 |
| BSET Rn, @aa:8 | B | (Rn8 of @aa:8) ← 1 | | | | | 4 | | | | | | — | — | — | — | — | — | 8 |
| BCLR #xx:3, Rd | B | (#xx:3 of Rd8) ← 0 | 2 | | | | | | | | | | — | — | — | — | — | — | 2 |
| BCLR #xx:3, @Rd | B | (#xx:3 of @Rd16) ← 0 | | 4 | | | | | | | | | — | — | — | — | — | — | 8 |
| BCLR #xx:3, @aa:8 | B | (#xx:3 of @aa:8) ← 0 | | | | | 4 | | | | | | — | — | — | — | — | — | 8 |
| BCLR Rn, Rd | B | (Rn8 of Rd8) ← 0 | 2 | | | | | | | | | | — | — | — | — | — | — | 2 |
| BCLR Rn, @Rd | B | (Rn8 of @Rd16) ← 0 | | 4 | | | | | | | | | — | — | — | — | — | — | 8 |
| BCLR Rn, @aa:8 | B | (Rn8 of @aa:8) ← 0 | | | | | 4 | | | | | | — | — | — | — | — | — | 8 |
| BNOT #xx:3, Rd | B | (#xx:3 of Rd8) ← (#xx:3 of Rd8) | 2 | | | | | | | | | | — | — | — | — | — | — | 2 |
| BNOT #xx:3, @Rd | B | (#xx:3 of @Rd16) ← (#xx:3 of @Rd16) | | 4 | | | | | | | | | — | — | — | — | — | — | 8 |
| BNOT #xx:3, @aa:8 | B | (#xx:3 of @aa:8) ← (#xx:3 of @aa:8) | | | | | 4 | | | | | | — | — | — | — | — | — | 8 |
| BNOT Rn, Rd | B | (Rn8 of Rd8) ← (Rn8 of Rd8) | 2 | | | | | | | | | | — | — | — | — | — | — | 2 |
| BNOT Rn, @Rd | B | (Rn8 of @Rd16) ← (Rn8 of @Rd16) | | 4 | | | | | | | | | — | — | — | — | — | — | 8 |
| BNOT Rn, @aa:8 | B | (Rn8 of @aa:8) ← (Rn8 of @aa:8) | | | | | 4 | | | | | | — | — | — | — | — | — | 8 |

Table A-1 Instruction Set (cont)

| Mnemonic | Operand Size | Operation | Addressing Mode/ Instruction Length (bytes) | | | | | | | | Condition Code | | | | | | No. of States | |
|-----------------|--------------|---|--|----|------------------------------------|-------------|-----------|-----------|------------|------|----------------|---|---|---|---|---|---------------|---|
| | | | #xx: 8/16 | Rn | @Rn | @(d:16, Rn) | @-Rn/@Rn+ | @aa: 8/16 | @(d:8, PC) | @@aa | Implied | I | H | N | Z | V | | C |
| | | | JSR @Rn | — | SP-2 → SP PC → @SP PC ← Rn16 | | | 2 | | | | | | | | | | |
| JSR @aa:16 | — | SP-2 → SP PC → @SP PC ← aa:16 | | | | | | 4 | | | | | | | | | 8 | |
| JSR @@aa:8 | — | SP-2 → SP PC → @SP PC ← @aa:8 | | | | | | | | 2 | | | | | | | 8 | |
| RTS | — | PC ← @SP SP+2 → SP | | | | | | | | 2 | | | | | | | 8 | |
| RTE | — | CCR ← @SP SP+2 → SP PC ← @SP SP+2 → SP | | | | | | | | 2 | ↓ | ↓ | ↓ | ↓ | ↓ | ↓ | 10 | |
| SLEEP | — | Transit to sleep mode. | | | | | | | | 2 | — | — | — | — | — | — | 2 | |
| LDC #xx:8, CCR | B | #xx:8 → CCR | 2 | | | | | | | | ↓ | ↓ | ↓ | ↓ | ↓ | ↓ | 2 | |
| LDC Rs, CCR | B | Rs8 → CCR | | 2 | | | | | | | ↓ | ↓ | ↓ | ↓ | ↓ | ↓ | 2 | |
| STC CCR, Rd | B | CCR → Rd8 | | 2 | | | | | | | — | — | — | — | — | — | 2 | |
| ANDC #xx:8, CCR | B | CCR ^ #xx:8 → CCR | 2 | | | | | | | | ↓ | ↓ | ↓ | ↓ | ↓ | ↓ | 2 | |
| ORC #xx:8, CCR | B | CCR v #xx:8 → CCR | 2 | | | | | | | | ↓ | ↓ | ↓ | ↓ | ↓ | ↓ | 2 | |
| XORC #xx:8, CCR | B | CCR ⊕ #xx:8 → CCR | 2 | | | | | | | | ↓ | ↓ | ↓ | ↓ | ↓ | ↓ | 2 | |
| NOP | — | PC ← PC+2 | | | | | | | | 2 | — | — | — | — | — | — | 2 | |

Notes: * The number of execution states given here assumes the opcode and operand data are in on-chip memory. For other cases see Appendix A.3 below.

- ① Set to 1 when there is a carry or borrow from bit 11; otherwise cleared to 0.
- ② If the result is zero, the previous value of the flag is retained; otherwise the flag is cleared to 0.
- ③ Set to 1 if decimal adjustment produces a carry; otherwise retains value prior to arithmetic operation.
- ④ The number of states required for execution is $4n + 9$ ($n = \text{value of R4L}$).
- ⑤ Set to 1 if the divisor is negative; otherwise cleared to 0.
- ⑥ Set to 1 if the divisor is zero; otherwise cleared to 0.

A.2 Operation Code Map

Table A-2 is an operation code map. It shows the operation codes contained in the first byte of the instruction code (bits 15 to 8 of the first instruction word).

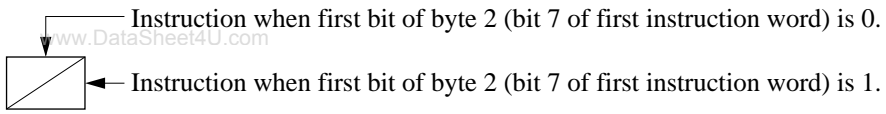


Table A-2 Operation Code Map

| Low High | 0 | 1 | 2 | 3 | 4 | 5 | 6 | 7 | 8 | 9 | A | B | C | D | E | F | |
|-------------|--------------|--------------|---------------|---------------|-----|------|------|------------|------|------|-----|------|-----|-----|------|-----|--|
| 0 | NOP | SLEEP | STC | LDC | ORC | XORC | ANDC | LDC | ADD | | INC | ADDS | MOV | | ADDX | DAA | |
| 1 | SHLL SHAL | SHLR SHAR | ROTXL ROTL | ROTXR ROTR | OR | XOR | AND | NOT NEG | SUB | | DEC | SUBS | CMP | | SUBX | DAS | |
| 2 | MOV | | | | | | | | | | | | | | | | |
| 3 | | | | | | | | | | | | | | | | | |
| 4 | BRA | BRN | BHI | BLS | BCC | BCS | BNE | BEQ | BVC | BVS | BPL | BMI | BGE | BLT | BGT | BLE | |
| 5 | MULXU | DIVXU | | | RTS | BSR | RTE | | | JMP | | | | | JSR | | |
| 6 | BSET | BNOT | BCLR | BTST | | | | | BST | MOV* | | | | | | | |
| 7 | | | | | BOR | BXOR | BAND | BLD | BIST | | | | | | | | |
| 8 | ADD | | | | | | | | | | | | | | | | |
| 9 | ADDX | | | | | | | | | | | | | | | | |
| A | CMP | | | | | | | | | | | | | | | | |
| B | SUBX | | | | | | | | | | | | | | | | |
| C | OR | | | | | | | | | | | | | | | | |
| D | XOR | | | | | | | | | | | | | | | | |
| E | AND | | | | | | | | | | | | | | | | |
| F | MOV | | | | | | | | | | | | | | | | |

Note: * The PUSH and POP instructions are identical in machine language to MOV instructions.

www.DataSheet4U.com

A.3 Number of Execution States

The tables here can be used to calculate the number of states required for instruction execution. Table A-3 indicates the number of states required for each cycle (instruction fetch, branch address read, stack operation, byte data access, word data access, internal operation). Table A-4 indicates the number of cycles of each type occurring in each instruction. The total number of states required for execution of an instruction can be calculated from these two tables as follows:

$$\text{Execution states} = I \times S_I + J \times S_J + K \times S_K + L \times S_L + M \times S_M + N \times S_N$$

Examples: When instruction is fetched from on-chip ROM, and an on-chip RAM is accessed.

BSET #0, @FF00

From table A-4:

$$I = L = 2, \quad J = K = M = N = 0$$

From table A-3:

$$S_I = 2, \quad S_L = 2$$

$$\text{Number of states required for execution} = 2 \times 2 + 2 \times 2 = 8$$

When instruction is fetched from on-chip ROM, branch address is read from on-chip ROM, and on-chip RAM is used for stack area.

JSR @@ 30

From table A-4:

$$I = 2, \quad J = K = 1, \quad L = M = N = 0$$

From table A-3:

$$S_I = S_J = S_K = 2$$

$$\text{Number of states required for execution} = 2 \times 2 + 1 \times 2 + 1 \times 2 = 8$$

Table A-3 Number of Cycles in Each Instruction

| Execution Status (instruction cycle) | | Access Location | |
|---|-------|------------------------|----------------------------------|
| | | On-Chip Memory | On-Chip Peripheral Module |
| Instruction fetch | S_I | 2 | — |
| Branch address read | S_J | | |
| Stack operation | S_K | | |
| Byte data access | S_L | | 2 or 3* |
| Word data access | S_M | | — |
| Internal operation | S_N | 1 | |

Note: * Depends on which on-chip module is accessed. See 2.9.1, Notes on Data Access for details.

Table A-4 Number of Cycles in Each Instruction

| Instruction | Mnemonic | Instruction | Branch | Stack | Byte Data | Word Data | Internal |
|-------------|-------------------|-------------|------------|-----------|-----------|-----------|-----------|
| | | Fetch | Addr. Read | Operation | Access | Access | Operation |
| | | I | J | K | L | M | N |
| ADD | ADD.B #xx:8, Rd | 1 | | | | | |
| | ADD.B Rs, Rd | 1 | | | | | |
| | ADD.W Rs, Rd | 1 | | | | | |
| ADDS | ADDS.W #1, Rd | 1 | | | | | |
| | ADDS.W #2, Rd | 1 | | | | | |
| ADDX | ADDX.B #xx:8, Rd | 1 | | | | | |
| | ADDX.B Rs, Rd | 1 | | | | | |
| AND | AND.B #xx:8, Rd | 1 | | | | | |
| | AND.B Rs, Rd | 1 | | | | | |
| ANDC | ANDC #xx:8, CCR | 1 | | | | | |
| BAND | BAND #xx:3, Rd | 1 | | | | | |
| | BAND #xx:3, @Rd | 2 | | | 1 | | |
| | BAND #xx:3, @aa:8 | 2 | | | 1 | | |
| Bcc | BRA d:8 (BT d:8) | 2 | | | | | |
| | BRN d:8 (BF d:8) | 2 | | | | | |
| | BHI d:8 | 2 | | | | | |
| | BLS d:8 | 2 | | | | | |
| | BCC d:8 (BHS d:8) | 2 | | | | | |
| | BCS d:8 (BLO d:8) | 2 | | | | | |
| | BNE d:8 | 2 | | | | | |
| | BEQ d:8 | 2 | | | | | |
| | BVC d:8 | 2 | | | | | |
| | BVS d:8 | 2 | | | | | |
| | BPL d:8 | 2 | | | | | |
| | BMI d:8 | 2 | | | | | |
| | BGE d:8 | 2 | | | | | |
| | BLT d:8 | 2 | | | | | |
| | BGT d:8 | 2 | | | | | |
| BLE d:8 | 2 | | | | | | |
| BCLR | BCLR #xx:3, Rd | 1 | | | | | |
| | BCLR #xx:3, @Rd | 2 | | | 2 | | |
| | BCLR #xx:3, @aa:8 | 2 | | | 2 | | |
| | BCLR Rn, Rd | 1 | | | | | |

Table A-4 Number of Cycles in Each Instruction (cont)

| Instruction | Mnemonic | Instruction | Branch | Stack | Byte Data | Word Data | Internal |
|-------------|--------------------|-------------|------------|-----------|-----------|-----------|-----------|
| | | Fetch | Addr. Read | Operation | Access | Access | Operation |
| | | I | J | K | L | M | N |
| BCLR | BCLR Rn, @Rd | 2 | | | 2 | | |
| | BCLR Rn, @aa:8 | 2 | | | 2 | | |
| BIAND | BIAND #xx:3, Rd | 1 | | | | | |
| | BIAND #xx:3, @Rd | 2 | | | 1 | | |
| | BIAND #xx:3, @aa:8 | 2 | | | 1 | | |
| BILD | BILD #xx:3, Rd | 1 | | | | | |
| | BILD #xx:3, @Rd | 2 | | | 1 | | |
| | BILD #xx:3, @aa:8 | 2 | | | 1 | | |
| BIOR | BIOR #xx:3, Rd | 1 | | | | | |
| | BIOR #xx:3, @Rd | 2 | | | 1 | | |
| | BIOR #xx:3, @aa:8 | 2 | | | 1 | | |
| BIST | BIST #xx:3, Rd | 1 | | | | | |
| | BIST #xx:3, @Rd | 2 | | | 2 | | |
| | BIST #xx:3, @aa:8 | 2 | | | 2 | | |
| BIXOR | BIXOR #xx:3, Rd | 1 | | | | | |
| | BIXOR #xx:3, @Rd | 2 | | | 1 | | |
| | BIXOR #xx:3, @aa:8 | 2 | | | 1 | | |
| BLD | BLD #xx:3, Rd | 1 | | | | | |
| | BLD #xx:3, @Rd | 2 | | | 1 | | |
| | BLD #xx:3, @aa:8 | 2 | | | 1 | | |
| BNOT | BNOT #xx:3, Rd | 1 | | | | | |
| | BNOT #xx:3, @Rd | 2 | | | 2 | | |
| | BNOT #xx:3, @aa:8 | 2 | | | 2 | | |
| | BNOT Rn, Rd | 1 | | | | | |
| | BNOT Rn, @Rd | 2 | | | 2 | | |
| | BNOT Rn, @aa:8 | 2 | | | 2 | | |
| BOR | BOR #xx:3, Rd | 1 | | | | | |
| | BOR #xx:3, @Rd | 2 | | | 1 | | |
| | BOR #xx:3, @aa:8 | 2 | | | 1 | | |
| BSET | BSET #xx:3, Rd | 1 | | | | | |
| | BSET #xx:3, @Rd | 2 | | | 2 | | |
| | BSET #xx:3, @aa:8 | 2 | | | 2 | | |
| | BSET Rn, Rd | 1 | | | | | |
| | BSET Rn, @Rd | 2 | | | 2 | | |

Table A-4 Number of Cycles in Each Instruction (cont)

| Instruction | Mnemonic | Instruction | Branch | Stack | Byte Data | Word Data | Internal |
|-------------|-------------------|-------------|-----------------|----------------|-------------|-------------|----------------|
| | | Fetch I | Addr. Read J | Operation K | Access L | Access M | Operation N |
| BSET | BSET Rn, @aa:8 | 2 | | | 2 | | |
| BSR | BSR d:8 | 2 | | 1 | | | |
| BST | BST #xx:3, Rd | 1 | | | | | |
| | BST #xx:3, @Rd | 2 | | | 2 | | |
| | BST #xx:3, @aa:8 | 2 | | | 2 | | |
| BTST | BTST #xx:3, Rd | 1 | | | | | |
| | BTST #xx:3, @Rd | 2 | | | 1 | | |
| | BTST #xx:3, @aa:8 | 2 | | | 1 | | |
| | BTST Rn, Rd | 1 | | | | | |
| | BTST Rn, @Rd | 2 | | | 1 | | |
| | BTST Rn, @aa:8 | 2 | | | 1 | | |
| BXOR | BXOR #xx:3, Rd | 1 | | | | | |
| | BXOR #xx:3, @Rd | 2 | | | 1 | | |
| | BXOR #xx:3, @aa:8 | 2 | | | 1 | | |
| CMP | CMP.B #xx:8, Rd | 1 | | | | | |
| | CMP.B Rs, Rd | 1 | | | | | |
| | CMP.W Rs, Rd | 1 | | | | | |
| DAA | DAA.B Rd | 1 | | | | | |
| DAS | DAS.B Rd | 1 | | | | | |
| DEC | DEC.B Rd | 1 | | | | | |
| DIVXU | DIVXU.B Rs, Rd | 1 | | | | | 12 |
| EEPMOV | EEPMOV | 2 | | | 2n+2* | | 1 |
| INC | INC.B Rd | 1 | | | | | |
| JMP | JMP @Rn | 2 | | | | | |
| | JMP @aa:16 | 2 | | | | | 2 |
| | JMP @@aa:8 | 2 | 1 | | | | 2 |
| JSR | JSR @Rn | 2 | | 1 | | | |
| | JSR @aa:16 | 2 | | 1 | | | 2 |
| | JSR @@aa:8 | 2 | 1 | 1 | | | |
| LDC | LDC #xx:8, CCR | 1 | | | | | |
| | LDC Rs, CCR | 1 | | | | | |
| MOV | MOV.B #xx:8, Rd | 1 | | | | | |
| | MOV.B Rs, Rd | 1 | | | | | |
| | MOV.B @Rs, Rd | 1 | | | 1 | | |

Note: n: Initial value in R4L. The source and destination operands are accessed n + 1 times each.

Table A-4 Number of Cycles in Each Instruction (cont)

| Instruction | Mnemonic | Instruction | Branch | Stack | Byte Data | Word Data | Internal | |
|-------------|-----------------------|----------------|------------|-----------|-----------|-----------|-----------|----|
| | | Fetch | Addr. Read | Operation | Access | Access | Operation | |
| | | I | J | K | L | M | N | |
| MOV | MOV.B @(d:16, Rs), Rd | 2 | | | 1 | | | |
| | MOV.B @Rs+, Rd | 1 | | | 1 | | 2 | |
| | MOV.B @aa:8, Rd | 1 | | | 1 | | | |
| | MOV.B @aa:16, Rd | 2 | | | 1 | | | |
| | MOV.B Rs, @Rd | 1 | | | 1 | | | |
| | MOV.B Rs, @(d:16, Rd) | 2 | | | 1 | | | |
| | MOV.B Rs, @-Rd | 1 | | | 1 | | 2 | |
| | MOV.B Rs, @aa:8 | 1 | | | 1 | | | |
| | MOV.B Rs, @aa:16 | 2 | | | 1 | | | |
| | MOV.W #xx:16, Rd | 2 | | | | | | |
| | MOV.W Rs, Rd | 1 | | | | | | |
| | MOV.W @Rs, Rd | 1 | | | | | 1 | |
| | MOV.W @(d:16, Rs), Rd | 2 | | | | | 1 | |
| | MOV.W @Rs+, Rd | 1 | | | | | 1 | 2 |
| | MOV.W @aa:16, Rd | 2 | | | | | 1 | |
| | MOV.W Rs, @Rd | 1 | | | | | 1 | |
| | MOV.W Rs, @(d:16, Rd) | 2 | | | | | 1 | |
| | MOV.W Rs, @-Rd | 1 | | | | | 1 | 2 |
| | MOV.W Rs, @aa:16 | 2 | | | | | 1 | |
| | MULXU | MULXU.B Rs, Rd | 1 | | | | | 12 |
| NEG | NEG.B Rd | 1 | | | | | | |
| NOP | NOP | 1 | | | | | | |
| NOT | NOT.B Rd | 1 | | | | | | |
| OR | OR.B #xx:8, Rd | 1 | | | | | | |
| | OR.B Rs, Rd | 1 | | | | | | |
| ORC | ORC #xx:8, CCR | 1 | | | | | | |
| POP | POP Rd | 1 | | 1 | | | 2 | |
| PUSH | PUSH Rs | 1 | | 1 | | | 2 | |
| ROTL | ROTL.B Rd | 1 | | | | | | |
| ROTR | ROTR.B Rd | 1 | | | | | | |
| ROTXL | ROTXL.B Rd | 1 | | | | | | |
| ROTXR | ROTXR.B Rd | 1 | | | | | | |
| RTE | RTE | 2 | | 2 | | | 2 | |
| RTS | RTS | 2 | | 1 | | | 2 | |

Table A-4 Number of Cycles in Each Instruction (cont)

| Instruction | Mnemonic | Instruction Fetch I | Branch Addr. Read J | Stack Operation K | Byte Data Access L | Word Data Access M | Internal Operation N |
|--------------------|------------------|------------------------------------|------------------------------------|----------------------------------|-----------------------------------|-----------------------------------|-------------------------------------|
| SHLL | SHLL.B Rd | 1 | | | | | |
| SHAL | SHAL.B Rd | 1 | | | | | |
| SHAR | SHAR.B Rd | 1 | | | | | |
| SHLR | SHLR.B Rd | 1 | | | | | |
| SLEEP | SLEEP | 1 | | | | | |
| STC | STC CCR, Rd | 1 | | | | | |
| SUB | SUB.B Rs, Rd | 1 | | | | | |
| | SUB.W Rs, Rd | 1 | | | | | |
| SUBS | SUBS.W #1, Rd | 1 | | | | | |
| | SUBS.W #2, Rd | 1 | | | | | |
| SUBX | SUBX.B #xx:8, Rd | 1 | | | | | |
| | SUBX.B Rs, Rd | 1 | | | | | |
| XOR | XOR.B #xx:8, Rd | 1 | | | | | |
| | XOR.B Rs, Rd | 1 | | | | | |
| XORC | XORC #xx:8, CCR | 1 | | | | | |

Appendix B On-Chip Registers

B.1 I/O Registers (1)

| Address | Register | | Bit Names | | | | | | | Module Name |
|---------|-----------------|-------------------|-------------------|-------------------|-------------------|-------------------|-------------------|-------------------|-------------------|-------------|
| | Name | Bit 7 | Bit 6 | Bit 5 | Bit 4 | Bit 3 | Bit 2 | Bit 1 | Bit 0 | |
| H'F770 | TIER | ICIAE | ICIBE | ICICE | ICIDE | OCIAE | OCIBE | OVIE | — | Timer X |
| H'F771 | TCSRX | ICFA | ICFB | ICFC | ICFD | OCFA | OCFB | OVF | CCLRA | |
| H'F772 | FRCH | FRCH7 | FRCH6 | FRCH5 | FRCH4 | FRCH3 | FRCH2 | FRCH1 | FRCH0 | |
| H'F773 | FRCL | FRCL7 | FRCL6 | FRCL5 | FRCL4 | FRCL3 | FRCL2 | FRCL1 | FRCL0 | |
| H'F774 | OCRAH/ OCRBH | OCRAH7/ OCRBH7 | OCRAH6/ OCRBH6 | OCRAH5/ OCRBH5 | OCRAH4/ OCRBH4 | OCRAH3/ OCRBH3 | OCRAH2/ OCRBH2 | OCRAH1/ OCRBH1 | OCRAH0/ OCRBH0 | |
| H'F775 | OCRAL/ OCRBL | OCRAL7/ OCRBL7 | OCRAL6/ OCRBL6 | OCRAL5/ OCRBL5 | OCRAL4/ OCRBL4 | OCRAL3/ OCRBL3 | OCRAL2/ OCRBL2 | OCRAL1/ OCRBL1 | OCRAL0/ OCRBL0 | |
| H'F776 | TCRX | IEDGA | IEDGB | IEDGC | IEDGD | BUFEA | BUFEB | CKS1 | CKS0 | |
| H'F777 | TOCR | — | — | — | OCRS | OEA | OEB | OLVLA | OLVLB | |
| H'F778 | ICRAH | ICRAH7 | ICRAH6 | ICRAH5 | ICRAH4 | ICRAH3 | ICRAH2 | ICRAH1 | ICRAH0 | |
| H'F779 | ICRAL | ICRAL7 | ICRAL6 | ICRAL5 | ICRAL4 | ICRAL3 | ICRAL2 | ICRAL1 | ICRAL0 | |
| F'F77A | ICRBH | ICRBH7 | ICRBH6 | ICRBH5 | ICRBH4 | ICRBH3 | ICRBH2 | ICRBH1 | ICRBH0 | |
| F'F77B | ICRBL | ICRBL7 | ICRBL6 | ICRBL5 | ICRBL4 | ICRBL3 | ICRBL2 | ICRBL1 | ICRBL0 | |
| H'F77C | ICRCH | ICRCH7 | ICRCH6 | ICRCH5 | ICRCH4 | ICRCH3 | ICRCH2 | ICRCH1 | ICRCH0 | |
| H'F77D | ICRCL | ICRCL7 | ICRCL6 | ICRCL5 | ICRCL4 | ICRCL3 | ICRCL2 | ICRCL1 | ICRCL0 | |
| H'F77E | ICRDH | ICRDH7 | ICRDH6 | ICRDH5 | ICRDH4 | ICRDH3 | ICRDH2 | ICRDH1 | ICRDH0 | |
| H'F77F | ICRDL | ICRDL7 | ICRDL6 | ICRDL5 | ICRDL4 | ICRDL3 | ICRDL2 | ICRDL1 | ICRDL0 | |
| H'FFA0 | SCR1 | SNC1 | SNC0 | — | — | CKS3 | CKS2 | CKS1 | CKS0 | SCI1 |
| H'FFA1 | SCSR1 | — | SOL | ORER | — | — | — | — | STF | |
| H'FFA2 | SDRU | SDRU7 | SDRU6 | SDRU5 | SDRU4 | SDRU3 | SDRU2 | SDRU1 | SDRU0 | |
| H'FFA3 | SDRL | SDRL7 | SDRL6 | SDRL5 | SDRL4 | SDRL3 | SDRL2 | SDRL1 | SDRL0 | |
| H'FFA4 | STAR | — | — | — | STA4 | STA3 | STA2 | STA1 | STA0 | SCI2 |
| H'FFA5 | EDAR | — | — | — | EDA4 | EDA3 | EDA2 | EDA1 | EDA0 | |
| H'FFA6 | SCR2 | — | — | — | GAP1 | GAP0 | CKS2 | CKS1 | CKS0 | |
| H'FFA7 | SCSR2 | — | — | — | SOL | ORER | WT | ABT | STF | |
| H'FFA8 | | | | | | | | | | |
| H'FFA9 | | | | | | | | | | |
| H'FFAA | | | | | | | | | | |
| H'FFAB | | | | | | | | | | |

Notation

SCI1: Serial communication interface 1

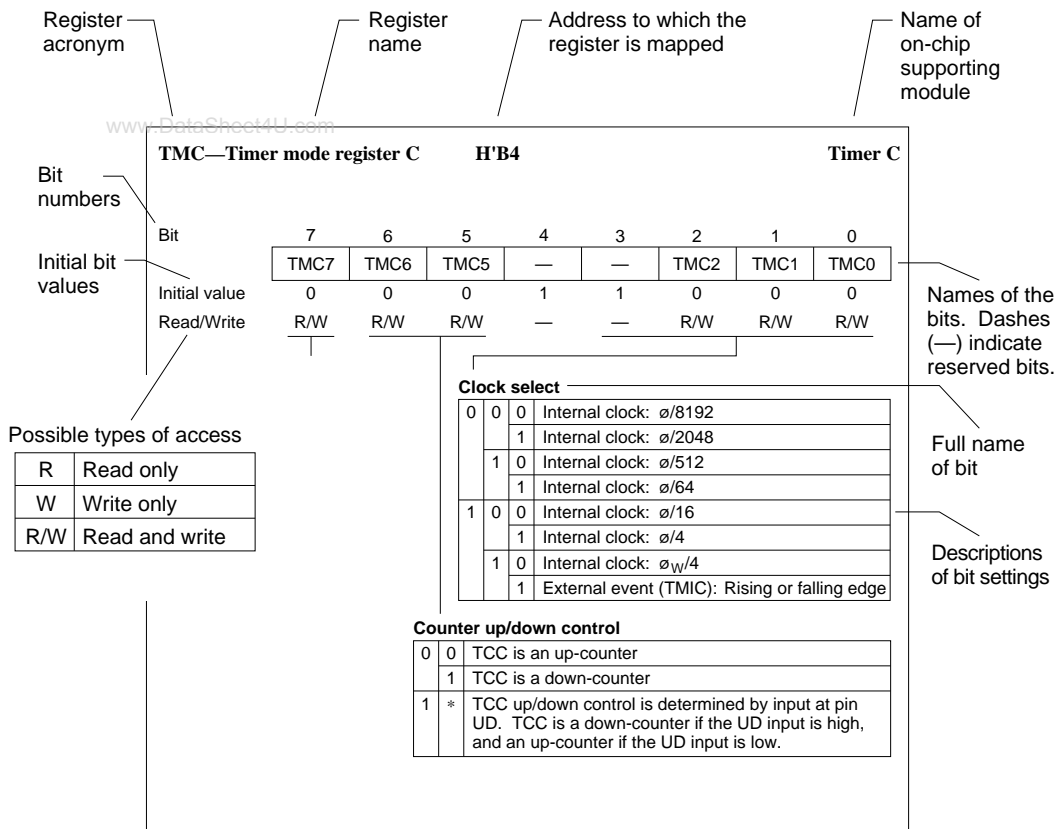
SCI2: Serial communication interface 2

| Address | Register | | Bit Names | | | | | | | Module Name |
|---------|---------------|--------------------|--------------------|--------------------|--------------------|--------------------|--------------------|--------------------|--------------------|----------------|
| | Name | Bit 7 | Bit 6 | Bit 5 | Bit 4 | Bit 3 | Bit 2 | Bit 1 | Bit 0 | |
| H'FFAC | | | | | | | | | | |
| H'FFAD | | | | | | | | | | |
| H'FFAE | | | | | | | | | | |
| H'FFAF | | | | | | | | | | |
| H'FFB0 | TMA | TMA7 | TMA6 | TMA5 | — | TMA3 | TMA2 | TMA1 | TMA0 | Timer A |
| H'FFB1 | TCA | TCA7 | TCA6 | TCA5 | TCA4 | TCA3 | TCA2 | TCA1 | TCA0 | |
| H'FFB2 | TMB1 | TMB17 | — | — | — | — | TMB12 | TMB11 | TMB10 | Timer B1 |
| H'FFB3 | TCB1/ TLB1 | TCB17/ TLB17 | TCB16/ TLB16 | TCB15/ TLB15 | TCB14/ TLB14 | TCB13/ TLB13 | TCB12/ TLB12 | TCB11/ TLB11 | TCB10/ TLB10 | |
| H'FFB4 | TMC | TMC7 | TMC6 | TMC5 | — | — | TMC2 | TMC1 | TMC0 | Timer C |
| H'FFB5 | TCC/ TLC | TCC7/ TLC7 | TCC6/ TLC6 | TCC5/ TLC5 | TCC4/ TLC4 | TCC3/ TLC3 | TCC2/ TLC2 | TCC1/ TLC1 | TCC0/ TLC0 | |
| H'FFB6 | TME | TME7 | TMOEON | EREQ | VRFR | — | TME2 | TME1 | TME0 | Timer E |
| H'FFB7 | TCE/ TLE | TCE7/ TLE7 | TCE6/ TLE6 | TCE5/ TLE5 | TCE4/ TLE4 | TCE3/ TLE3 | TCE2/ TLE2 | TCE1/ TLE1 | TCE0/ TLE0 | |
| H'FFB8 | TCRV0 | CMIEB | CMIEA | OVIE | CCLR1 | CCLR0 | CKS2 | CKS1 | CKS0 | Timer V |
| H'FFB9 | TCSRV | CMFB | CMFA | OVF | — | OS3 | OS2 | OS1 | OS0 | |
| H'FFBA | TCORA | TCORA7 | TCORA6 | TCORA5 | TCORA4 | TCORA3 | TCORA2 | TCORA1 | TCORA0 | |
| H'FFBB | TCORB | TCORB7 | TCORB6 | TCORB5 | TCORB4 | TCORB3 | TCORB2 | TCORB1 | TCORB0 | |
| H'FFBC | TCNTV | TCNTV7 | TCNTV6 | TCNTV5 | TCNTV4 | TCNTV3 | TCNTV2 | TCNTV1 | TCNTV0 | |
| H'FFBD | TCRV1 | — | — | — | TVEG1 | TVEG0 | TRGE | — | ICKS0 | |
| H'FFBE | TCSRW | B6WI | TCWE | B4WI | TCSRWE | B2WI | WDON | BOWI | WRST | Watchdog timer |
| H'FFBF | TCW | TCW7 | TCW6 | TCW5 | TCW4 | TCW3 | TCW2 | TCW1 | TCW0 | |
| H'FFC0 | | | | | | | | | | |
| H'FFC1 | | | | | | | | | | |
| H'FFC2 | TMB2 | TMB27 | — | — | — | — | TMB22 | TMB21 | TMB20 | Timer B2 |
| H'FFC3 | TCB2/ TLB2 | TCB27/ TLB27 | TCB26/ TLB26 | TCB25/ TLB25 | TCB24/ TLB24 | TCB23/ TLB23 | TCB22/ TLB22 | TCB21/ TLB21 | TCB20/ TLB20 | |
| H'FFC4 | AMR | CKS | TRGE | — | — | CH3 | CH2 | CH1 | CH0 | A/D converter |
| H'FFC5 | ADRR | ADR7 | ADR6 | ADR5 | ADR4 | ADR3 | ADR2 | ADR1 | ADR0 | |
| H'FFC6 | ADSR | ADSF | — | — | — | — | — | — | — | |
| H'FFC7 | | | | | | | | | | |
| H'FFC8 | DADR0 | DADR0 ₇ | DADR0 ₆ | DADR0 ₅ | DADR0 ₄ | DADR0 ₃ | DADR0 ₂ | DADR0 ₁ | DADR0 ₀ | D/A converter |
| H'FFC9 | DADR1 | DADR1 ₇ | DADR1 ₆ | DADR1 ₅ | DADR1 ₄ | DADR1 ₃ | DADR1 ₂ | DADR1 ₁ | DADR1 ₀ | |
| H'FFCA | DADR2 | DADR2 ₇ | DADR2 ₆ | DADR2 ₅ | DADR2 ₄ | DADR2 ₃ | DADR2 ₂ | DADR2 ₁ | DADR2 ₀ | |
| H'FFCB | DADR3 | DADR3 ₇ | DADR3 ₆ | DADR3 ₅ | DADR3 ₄ | DADR3 ₃ | DADR3 ₂ | DADR3 ₁ | DADR3 ₀ | |

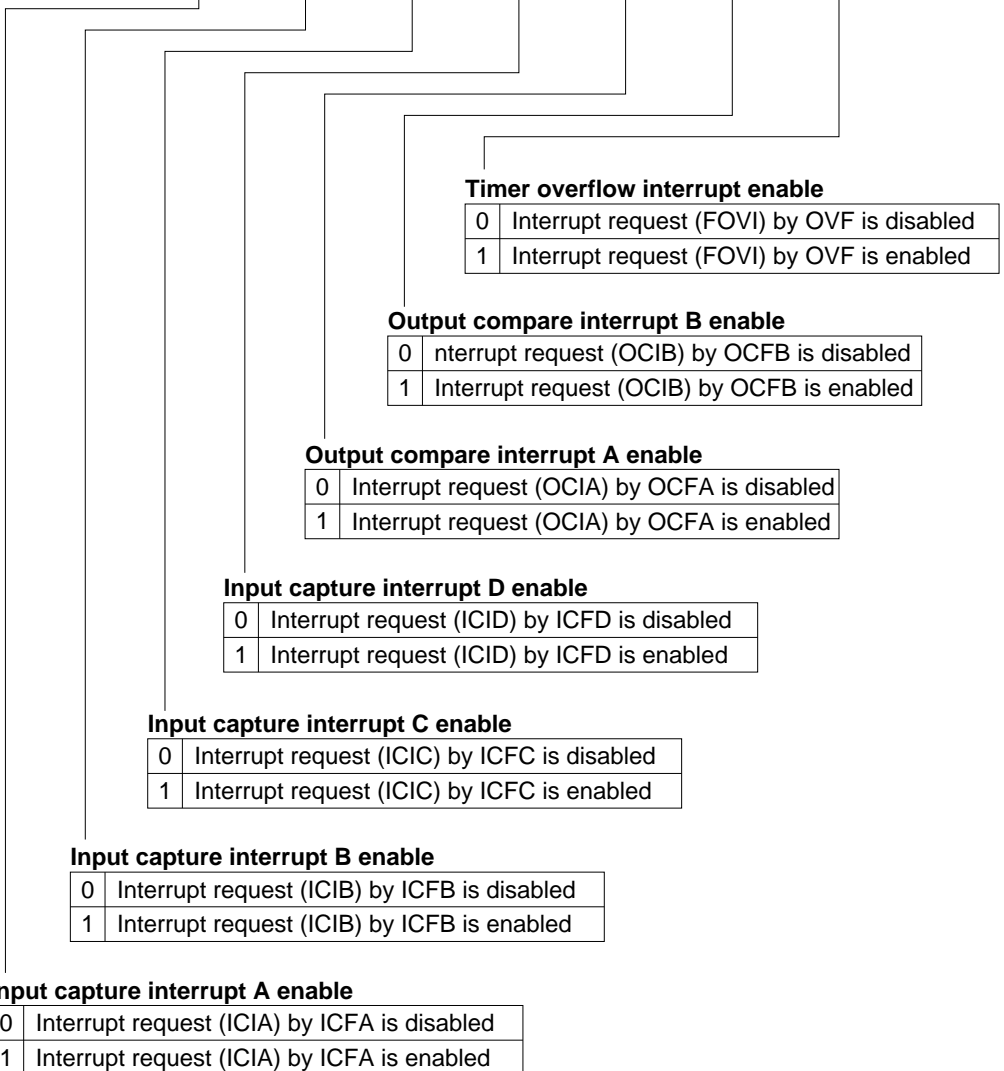
| Address | Register Name | Bit Names | | | | | | | | Module Name |
|---------|---------------|--|--|--|--|--|--|--|--|---------------|
| | | Bit 7 | Bit 6 | Bit 5 | Bit 4 | Bit 3 | Bit 2 | Bit 1 | Bit 0 | |
| H'FFCC | DACR0 | — | — | — | DAEO | DAOE ₃ | DAOE ₂ | DAOE ₁ | DAOE ₀ | D/A converter |
| H'FFCD | TMY | TMY ₇ | — | — | — | — | TMY ₂ | TMY ₁ | TMY ₀ | Timer Y |
| H'FFCE | TCYH/ TLYH | TCYH ₇ / TLYH ₇ | TCYH ₆ / TLYH ₆ | TCYH ₅ / TLYH ₅ | TCYH ₄ / TLYH ₄ | TCYH ₃ / TLYH ₃ | TCYH ₂ / TLYH ₂ | TCYH ₁ / TLYH ₁ | TCYH ₀ / TLYH ₀ | |
| H'FFCF | TCYL/ TLYL | TCYL ₇ / TLYL ₇ | TCYL ₆ / TLYL ₆ | TCYL ₅ / TLYL ₅ | TCYL ₄ / TLYL ₄ | TCYL ₃ / TLYL ₃ | TCYL ₂ / TLYL ₂ | TCYL ₁ / TLYL ₁ | TCYL ₀ / TLYL ₀ | |
| H'FFD0 | PWCR | — | — | — | — | — | — | — | PWCR ₀ | 14-bit PWM |
| H'FFD1 | PWDRU | — | — | PWDRU ₅ | PWDRU ₄ | PWDRU ₃ | PWDRU ₂ | PWDRU ₁ | PWDRU ₀ | |
| H'FFD2 | PWDRL | PWDRL ₇ | PWDRL ₆ | PWDRL ₅ | PWDRL ₄ | PWDRL ₃ | PWDRL ₂ | PWDRL ₁ | PWDRL ₀ | |
| H'FFD3 | | | | | | | | | | |
| H'FFD4 | PDR1 | P1 ₇ | P1 ₆ | P1 ₅ | P1 ₄ | P1 ₃ | P1 ₂ | P1 ₁ | P1 ₀ | I/O ports |
| H'FFD5 | | | | | | | | | | |
| H'FFD6 | PDR3 | P3 ₇ | P3 ₆ | P3 ₅ | P3 ₄ | P3 ₃ | P3 ₂ | P3 ₁ | P3 ₀ | I/O ports |
| H'FFD7 | PDR4 | P4 ₇ | P4 ₆ | P4 ₅ | P4 ₄ | P4 ₃ | P4 ₂ | P4 ₁ | P4 ₀ | |
| H'FFD8 | PDR5 | P5 ₇ | P5 ₆ | P5 ₅ | P5 ₄ | P5 ₃ | P5 ₂ | P5 ₁ | P5 ₀ | |
| H'FFD9 | PDR6 | P6 ₇ | P6 ₆ | P6 ₅ | P6 ₄ | P6 ₃ | P6 ₂ | P6 ₁ | P6 ₀ | |
| H'FFDA | PDR7 | P7 ₇ | P7 ₆ | P7 ₅ | P7 ₄ | P7 ₃ | P7 ₂ | P7 ₁ | P7 ₀ | |
| H'FFDB | PDR8 | P8 ₇ | P8 ₆ | P8 ₅ | P8 ₄ | P8 ₃ | P8 ₂ | P8 ₁ | P8 ₀ | |
| H'FFDC | | | | | | | | | | |
| H'FFDD | PDRB | PB ₇ | PB ₆ | PB ₅ | PB ₄ | PB ₃ | PB ₂ | PB ₁ | PB ₀ | I/O ports |
| H'FFDE | PDRC | — | — | — | — | PC ₃ | PC ₂ | PC ₁ | PC ₀ | |
| H'FFDF | | | | | | | | | | |
| H'FFE0 | | | | | | | | | | |
| H'FFE1 | | | | | | | | | | |
| H'FFE2 | TMB3 | TMB3 ₇ | — | — | — | — | TMB3 ₂ | TMB3 ₁ | TMB3 ₀ | Timer B3 |
| H'FFE3 | TCB3/ TLB3 | TCB3 ₇ / TLB3 ₇ | TCB3 ₆ / TLB3 ₆ | TCB3 ₅ / TLB3 ₅ | TCB3 ₄ / TLB3 ₄ | TCB3 ₃ / TLB3 ₃ | TCB3 ₂ / TLB3 ₂ | TCB3 ₁ / TLB3 ₁ | TCB3 ₀ / TLB3 ₀ | |
| H'FFE4 | PCR1 | PCR1 ₇ | PCR1 ₆ | PCR1 ₅ | PCR1 ₄ | PCR1 ₃ | PCR1 ₂ | PCR1 ₁ | PCR1 ₀ | I/O ports |
| H'FFE5 | | | | | | | | | | |
| H'FFE6 | PCR3 | PCR3 ₇ | PCR3 ₆ | PCR3 ₅ | PCR3 ₄ | PCR3 ₃ | PCR3 ₂ | PCR3 ₁ | PCR3 ₀ | I/O ports |
| H'FFE7 | PCR4 | PCR4 ₇ | PCR4 ₆ | PCR4 ₅ | PCR4 ₄ | PCR4 ₃ | PCR4 ₂ | PCR4 ₁ | PCR4 ₀ | |
| H'FFE8 | PCR5 | PCR5 ₇ | PCR5 ₆ | PCR5 ₅ | PCR5 ₄ | PCR5 ₃ | PCR5 ₂ | PCR5 ₁ | PCR5 ₀ | |
| H'FFE9 | PCR6 | PCR6 ₇ | PCR6 ₆ | PCR6 ₅ | PCR6 ₄ | PCR6 ₃ | PCR6 ₂ | PCR6 ₁ | PCR6 ₀ | |
| H'FFEA | PCR7 | PCR7 ₇ | PCR7 ₆ | PCR7 ₅ | PCR7 ₄ | PCR7 ₃ | PCR7 ₂ | PCR7 ₁ | PCR7 ₀ | |
| H'FFEB | PCR8 | PCR8 ₇ | PCR8 ₆ | PCR8 ₅ | PCR8 ₄ | PCR8 ₃ | PCR8 ₂ | PCR8 ₁ | PCR8 ₀ | |
| H'FFEC | | | | | | | | | | |

| Address | Register | | Bit Names | | | | | | | Module Name |
|---------|----------|--------------------|--------------------|--------------------|--------------------|--------------------|--------------------|--------------------|--------------------|----------------|
| | Name | Bit 7 | Bit 6 | Bit 5 | Bit 4 | Bit 3 | Bit 2 | Bit 1 | Bit 0 | |
| H'FFED | PUCR1 | PUCR1 ₇ | PUCR1 ₆ | PUCR1 ₅ | PUCR1 ₄ | PUCR1 ₃ | PUCR1 ₂ | PUCR1 ₁ | PUCR1 ₀ | I/O ports |
| H'FFEE | PUCR3 | PUCR3 ₇ | PUCR3 ₆ | PUCR3 ₅ | PUCR3 ₄ | PUCR3 ₃ | PUCR3 ₂ | PUCR3 ₁ | PUCR3 ₀ | |
| H'FFEF | PUCR5 | PUCR5 ₇ | PUCR5 ₆ | PUCR5 ₅ | PUCR5 ₄ | PUCR5 ₃ | PUCR5 ₂ | PUCR5 ₁ | PUCR5 ₀ | |
| H'FFF0 | SYSCR1 | SSBY | STS2 | STS1 | STS0 | LSON | — | — | — | System control |
| H'FFF1 | SYSCR2 | — | — | — | NESEL | DTON | MSON | SA1 | SA0 | |
| H'FFF2 | IEGR1 | NMIEG | — | — | — | IEG3 | IEG2 | IEG1 | IEG0 | |
| H'FFF3 | IEGR2 | INTEG ₇ | INTEG ₆ | INTEG ₅ | INTEG ₄ | INTEG ₃ | INTEG ₂ | INTEG ₁ | INTEG ₀ | |
| H'FFF4 | IENR1 | IENB1 | IENTA | IENTY | — | IEN3 | IEN2 | IEN1 | IEN0 | |
| H'FFF5 | IENR2 | IENDT | IENAD | IENS2 | IENSI | IENTE | IENTC | IENB3 | IENB2 | |
| H'FFF6 | IENR3 | INTEN7 | INTEN6 | INTEN5 | INTEN4 | INTEN3 | INTEN2 | INTEN1 | INTEN0 | |
| H'FFF7 | IRR1 | IRRTB1 | IRRTA | IRRTY | — | IRRI3 | IRRI2 | IRRI1 | IRRI0 | |
| H'FFF8 | IRR2 | IRRD1 | IRRAD | IRRS2 | IRRS1 | IRRTE | IRRTC | IRRTB3 | IRRTB2 | |
| H'FFF9 | IRR3 | INTF ₇ | INTF ₆ | INTF ₅ | INTF ₄ | INTF ₃ | INTF ₂ | INTF ₁ | INTF ₀ | |
| H'FFFA | | | | | | | | | | |
| H'FFFB | | | | | | | | | | |
| H'FFFC | PMR1 | IRQ3 | IRQ2 | IRQ1 | PWM | TCICEG | — | TMOE | TMOW | I/O ports |
| H'FFFD | PMR3 | CS | STRB | SO2 | SI2 | SCK2 | SO1 | SI1 | SCK1 | |
| H'FFFE | RTER | RTER ₇ | RTER ₆ | RTER ₅ | RTER ₄ | RTER ₃ | RTER ₂ | RTER ₁ | RTER ₀ | |
| H'FFFF | PMR7 | — | — | — | — | — | — | POF2 | POF1 | |

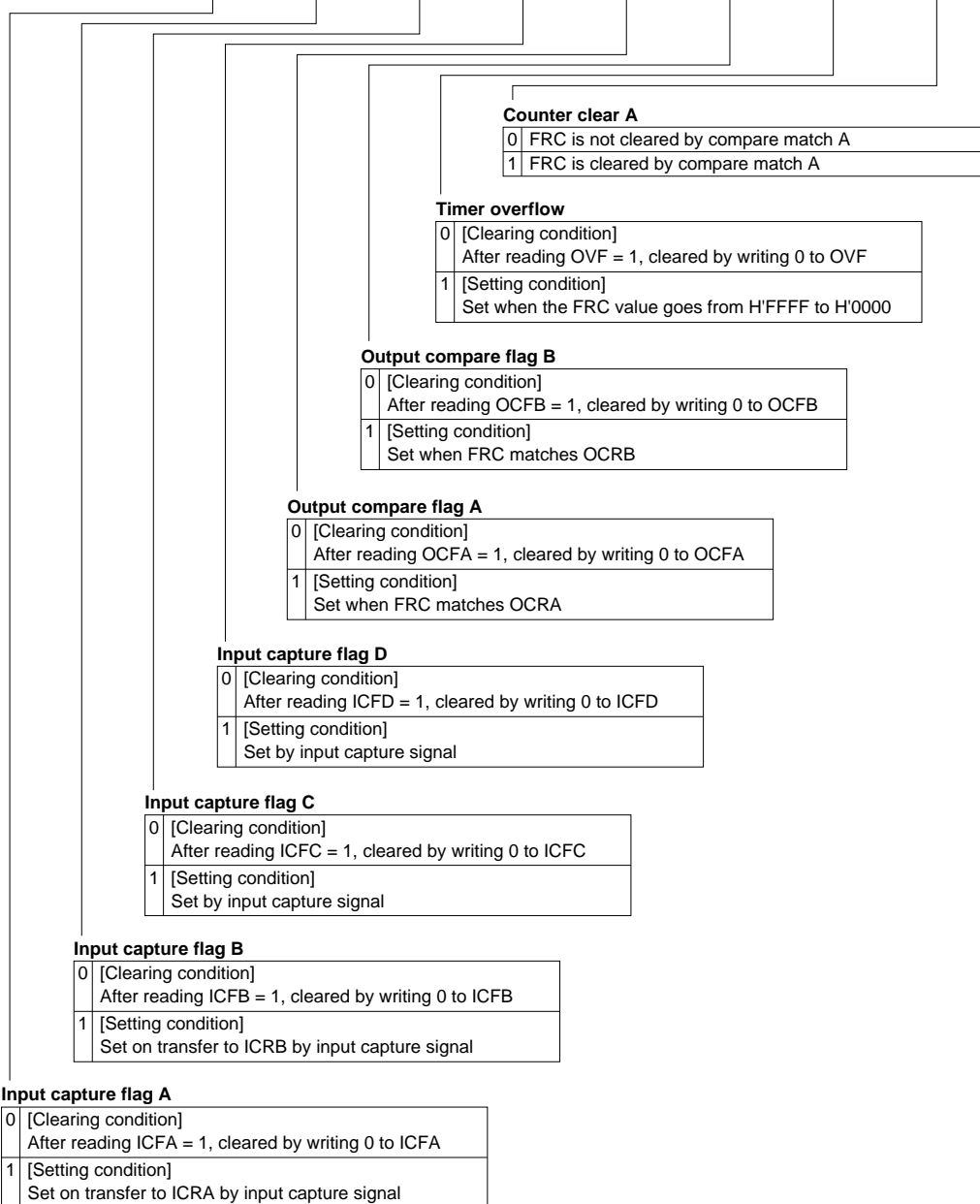
B.2 I/O Registers (2)



| Bit | 7 | 6 | 5 | 4 | 3 | 2 | 1 | 0 |
|---------------|-------|-------|-------|-------|-------|-------|------|---|
| | ICIAE | ICIBE | ICICE | ICIDE | OCIAE | OCIBE | OVIE | — |
| Initial value | 0 | 0 | 0 | 0 | 0 | 0 | 0 | 1 |
| Read/Write | R/W | R/W | R/W | R/W | R/W | R/W | R/W | — |



| | | | | | | | | |
|---------------|--------|--------|--------|--------|--------|--------|--------|-------|
| Bit | 7 | 6 | 5 | 4 | 3 | 2 | 1 | 0 |
| | ICFA | ICFB | ICFC | ICFD | OCFA | OCFB | OVF | CCLRA |
| Initial value | 0 | 0 | 0 | 0 | 0 | 0 | 0 | 0 |
| Read/Write | R/(W)* | R/(W)* | R/(W)* | R/(W)* | R/(W)* | R/(W)* | R/(W)* | R/W |



Note: * Only a write of 0 for flag clearing is possible.

FRCH—Free-running counter H**H'F772****Timer X**

| Bit | 7 | 6 | 5 | 4 | 3 | 2 | 1 | 0 |
|---------------|-------|-------|-------|-------|-------|-------|-------|-------|
| | FRCH7 | FRCH6 | FRCH5 | FRCH4 | FRCH3 | FRCH2 | FRCH1 | FRCH0 |
| Initial value | 0 | 0 | 0 | 0 | 0 | 0 | 0 | 0 |
| Read/Write | R/W | R/W | R/W | R/W | R/W | R/W | R/W | R/W |

Count value

FRCL—Free-running counter L**H'F773****Timer X**

| Bit | 7 | 6 | 5 | 4 | 3 | 2 | 1 | 0 |
|---------------|-------|-------|-------|-------|-------|-------|-------|-------|
| | FRCL7 | FRCL6 | FRCL5 | FRCL4 | FRCL3 | FRCL2 | FRCL1 | FRCL0 |
| Initial value | 0 | 0 | 0 | 0 | 0 | 0 | 0 | 0 |
| Read/Write | R/W | R/W | R/W | R/W | R/W | R/W | R/W | R/W |

Count value

OCRAH—Output compare register AH**H'F774****Timer X**

| Bit | 7 | 6 | 5 | 4 | 3 | 2 | 1 | 0 |
|---------------|--------|--------|--------|--------|--------|--------|--------|--------|
| | OCRAH7 | OCRAH6 | OCRAH5 | OCRAH4 | OCRAH3 | OCRAH2 | OCRAH1 | OCRAH0 |
| Initial value | 1 | 1 | 1 | 1 | 1 | 1 | 1 | 1 |
| Read/Write | R/W | R/W | R/W | R/W | R/W | R/W | R/W | R/W |

OCRBH—Output compare register BH**H'F774****Timer X**

| Bit | 7 | 6 | 5 | 4 | 3 | 2 | 1 | 0 |
|---------------|--------|--------|--------|--------|--------|--------|--------|--------|
| | OCRBH7 | OCRBH6 | OCRBH5 | OCRBH4 | OCRBH3 | OCRBH2 | OCRBH1 | OCRBH0 |
| Initial value | 1 | 1 | 1 | 1 | 1 | 1 | 1 | 1 |
| Read/Write | R/W | R/W | R/W | R/W | R/W | R/W | R/W | R/W |

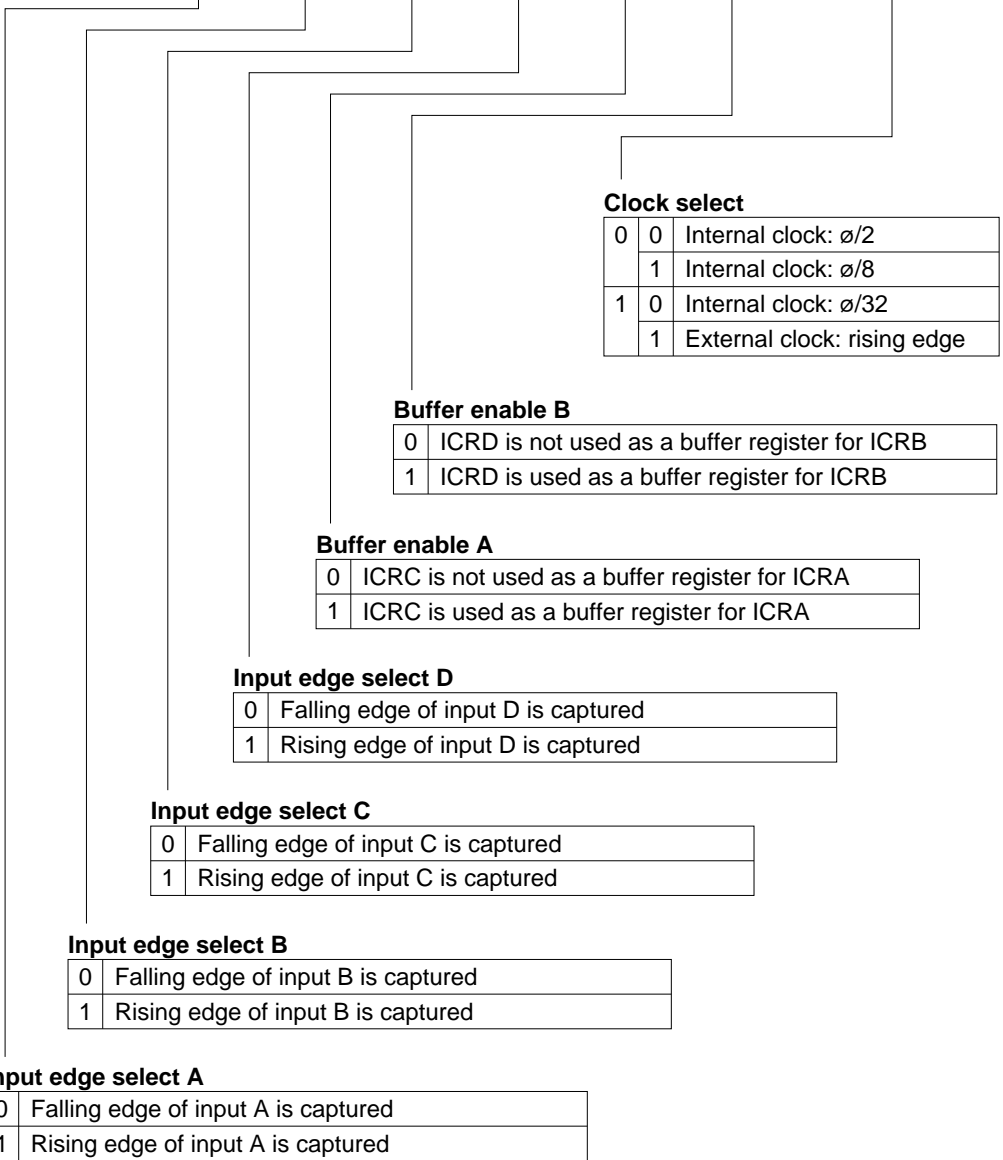
OCRAL—Output compare register AL**H'F775****Timer X**

| Bit | 7 | 6 | 5 | 4 | 3 | 2 | 1 | 0 |
|---------------|--------|--------|--------|--------|--------|--------|--------|--------|
| | OCRAL7 | OCRAL6 | OCRAL5 | OCRAL4 | OCRAL3 | OCRAL2 | OCRAL1 | OCRAL0 |
| Initial value | 1 | 1 | 1 | 1 | 1 | 1 | 1 | 1 |
| Read/Write | R/W | R/W | R/W | R/W | R/W | R/W | R/W | R/W |

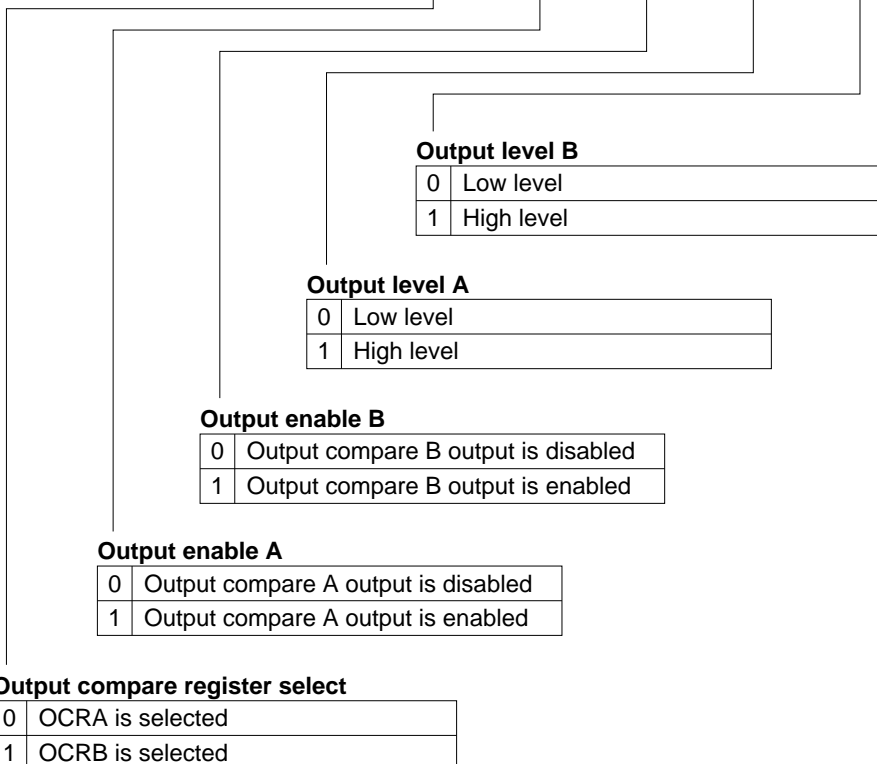
OCRBL—Output compare register BL**H'F775****Timer X**

| Bit | 7 | 6 | 5 | 4 | 3 | 2 | 1 | 0 |
|---------------|--------|--------|--------|--------|--------|--------|--------|--------|
| | OCRBL7 | OCRBL6 | OCRBL5 | OCRBL4 | OCRBL3 | OCRBL2 | OCRBL1 | OCRBL0 |
| Initial value | 1 | 1 | 1 | 1 | 1 | 1 | 1 | 1 |
| Read/Write | R/W | R/W | R/W | R/W | R/W | R/W | R/W | R/W |

| | | | | | | | | |
|---------------|-------|-------|-------|-------|-------|-------|------|------|
| Bit | 7 | 6 | 5 | 4 | 3 | 2 | 1 | 0 |
| | IEDGA | IEDGB | IEDGC | IEDGD | BUFEA | BUFEB | CKS1 | CKS0 |
| Initial value | 0 | 0 | 0 | 0 | 0 | 0 | 0 | 0 |
| Read/Write | R/W | R/W | R/W | R/W | R/W | R/W | R/W | R/W |



| | | | | | | | | |
|---------------|---|---|---|------|-----|-----|-------|-------|
| Bit | 7 | 6 | 5 | 4 | 3 | 2 | 1 | 0 |
| | — | — | — | OCRS | OEA | OEB | OLVLA | OLVLB |
| Initial value | 1 | 1 | 1 | 0 | 0 | 0 | 0 | 0 |
| Read/Write | — | — | — | R/W | R/W | R/W | R/W | R/W |



ICRAH—Input capture register AH**H'F778****Timer X**

| Bit | 7 | 6 | 5 | 4 | 3 | 2 | 1 | 0 |
|---------------|--------|--------|--------|--------|--------|--------|--------|--------|
| | ICRAH7 | ICRAH6 | ICRAH5 | ICRAH4 | ICRAH3 | ICRAH2 | ICRAH1 | ICRAH0 |
| Initial value | 0 | 0 | 0 | 0 | 0 | 0 | 0 | 0 |
| Read/Write | R | R | R | R | R | R | R | R |

ICRAL—Input capture register AL**H'F779****Timer X**

| Bit | 7 | 6 | 5 | 4 | 3 | 2 | 1 | 0 |
|---------------|--------|--------|--------|--------|--------|--------|--------|--------|
| | ICRAL7 | ICRAL6 | ICRAL5 | ICRAL4 | ICRAL3 | ICRAL2 | ICRAL1 | ICRAL0 |
| Initial value | 0 | 0 | 0 | 0 | 0 | 0 | 0 | 0 |
| Read/Write | R | R | R | R | R | R | R | R |

ICRBH—Input capture register BH**H'F77A****Timer X**

| Bit | 7 | 6 | 5 | 4 | 3 | 2 | 1 | 0 |
|---------------|--------|--------|--------|--------|--------|--------|--------|--------|
| | ICRBH7 | ICRBH6 | ICRBH5 | ICRBH4 | ICRBH3 | ICRBH2 | ICRBH1 | ICRBH0 |
| Initial value | 0 | 0 | 0 | 0 | 0 | 0 | 0 | 0 |
| Read/Write | R | R | R | R | R | R | R | R |

ICRBL—Input capture register BL**H'F77B****Timer X**

| Bit | 7 | 6 | 5 | 4 | 3 | 2 | 1 | 0 |
|---------------|--------|--------|--------|--------|--------|--------|--------|--------|
| | ICRBL7 | ICRBL6 | ICRBL5 | ICRBL4 | ICRBL3 | ICRBL2 | ICRBL1 | ICRBL0 |
| Initial value | 0 | 0 | 0 | 0 | 0 | 0 | 0 | 0 |
| Read/Write | R | R | R | R | R | R | R | R |

ICRCH—Input capture register CH**H'F77C****Timer X**

| Bit | 7 | 6 | 5 | 4 | 3 | 2 | 1 | 0 |
|---------------|--------|--------|--------|--------|--------|--------|--------|--------|
| | ICRCH7 | ICRCH6 | ICRCH5 | ICRCH4 | ICRCH3 | ICRCH2 | ICRCH1 | ICRCH0 |
| Initial value | 0 | 0 | 0 | 0 | 0 | 0 | 0 | 0 |
| Read/Write | R | R | R | R | R | R | R | R |

ICRCL—Input capture register CL**H'F77D****Timer X**

| Bit | 7 | 6 | 5 | 4 | 3 | 2 | 1 | 0 |
|---------------|--------|--------|--------|--------|--------|--------|--------|--------|
| | ICRCL7 | ICRCL6 | ICRCL5 | ICRCL4 | ICRCL3 | ICRCL2 | ICRCL1 | ICRCL0 |
| Initial value | 0 | 0 | 0 | 0 | 0 | 0 | 0 | 0 |
| Read/Write | R | R | R | R | R | R | R | R |

ICRDH—Input capture register DH**H'F77E****Timer X**

| Bit | 7 | 6 | 5 | 4 | 3 | 2 | 1 | 0 |
|---------------|--------|--------|--------|--------|--------|--------|--------|--------|
| | ICRDH7 | ICRDH6 | ICRDH5 | ICRDH4 | ICRDH3 | ICRDH2 | ICRDH1 | ICRDH0 |
| Initial value | 0 | 0 | 0 | 0 | 0 | 0 | 0 | 0 |
| Read/Write | R | R | R | R | R | R | R | R |

ICRDL—Input capture register DL**H'F77F****Timer X**

| Bit | 7 | 6 | 5 | 4 | 3 | 2 | 1 | 0 |
|---------------|--------|--------|--------|--------|--------|--------|--------|--------|
| | ICRDL7 | ICRDL6 | ICRDL5 | ICRDL4 | ICRDL3 | ICRDL2 | ICRDL1 | ICRDL0 |
| Initial value | 0 | 0 | 0 | 0 | 0 | 0 | 0 | 0 |
| Read/Write | R | R | R | R | R | R | R | R |

| | | | | | | | | |
|---------------|------|------|-----|-----|------|------|------|------|
| Bit | 7 | 6 | 5 | 4 | 3 | 2 | 1 | 0 |
| | SNC1 | SNC0 | — | — | CKS3 | CKS2 | CKS1 | CKS0 |
| Initial value | 0 | 0 | 0 | 0 | 0 | 0 | 0 | 0 |
| Read/Write | R/W | R/W | R/W | R/W | R/W | R/W | R/W | R/W |

Clock select (CKS2 to CKS0)

| Bit 2 CKS2 | Bit 1 CKS1 | Bit 0 CKS0 | Prescaler Division | Serial Clock Cycle | |
|---------------|---------------|---------------|-----------------------|------------------------|--------------------------|
| | | | | Synchronous | |
| | | | | $\phi = 5 \text{ MHz}$ | $\phi = 2.5 \text{ MHz}$ |
| 0 | 0 | 0 | $\phi/1024$ | 204.8 μs | 409.6 μs |
| | | 1 | $\phi/256$ | 51.2 μs | 102.4 μs |
| | 1 | 0 | $\phi/64$ | 12.8 μs | 25.6 μs |
| | | 1 | $\phi/32$ | 6.4 μs | 12.8 μs |
| 1 | 0 | 0 | $\phi/16$ | 3.2 μs | 6.4 μs |
| | | 1 | $\phi/8$ | 1.6 μs | 3.2 μs |
| | 1 | 0 | $\phi/4$ | 0.8 μs | 1.6 μs |
| | | 1 | $\phi/2$ | — | 0.8 μs |

Clock source select

| | |
|---|---|
| 0 | Clock source is prescaler S, and pin SCK ₁ is output pin |
| 1 | Clock source is external clock, and pin SCK ₁ is input pin |

Operation mode select

| | | |
|---|---|----------------------------------|
| 0 | 0 | 8-bit synchronous transfer mode |
| | 1 | 16-bit synchronous transfer mode |
| 1 | 0 | Continuous clock output mode |
| | 1 | Reserved |

| | | | | | | | | |
|---------------|---|-----|--------|---|---|---|---|-----|
| Bit | 7 | 6 | 5 | 4 | 3 | 2 | 1 | 0 |
| | — | SOL | ORER | — | — | — | — | STF |
| Initial value | 1 | 0 | 0 | 0 | 0 | 0 | 0 | 0 |
| Read/Write | — | R/W | R/(W)* | — | — | — | — | R/W |

Start flag

| | | |
|---|-------|------------------------------------|
| 0 | Read | Indicates that transfer is stopped |
| | Write | Invalid |
| 1 | Read | Indicates transfer in progress |
| | Write | Starts a transfer operation |

Overrun error flag

| | |
|---|---|
| 0 | [Clearing condition] After reading 1, cleared by writing 0 |
| 1 | [Setting condition] Set if a clock pulse is input after transfer is complete, when an external clock is used |

Extended data bit

| | | |
|---|-------|--|
| 0 | Read | SO ₁ pin output level is low |
| | Write | SO ₁ pin output level changes to low |
| 1 | Read | SO ₁ pin output level is high |
| | Write | SO ₁ pin output level changes to high |

Note: * Only a write of 0 for flag clearing is possible.

| Bit | 7 | 6 | 5 | 4 | 3 | 2 | 1 | 0 |
|---------------|-----------|-----------|-----------|-----------|-----------|-----------|-----------|-----------|
| | SDRU7 | SDRU6 | SDRU5 | SDRU4 | SDRU3 | SDRU2 | SDRU1 | SDRU0 |
| Initial value | Not fixed | Not fixed | Not fixed | Not fixed | Not fixed | Not fixed | Not fixed | Not fixed |
| Read/Write | R/W | R/W | R/W | R/W | R/W | R/W | R/W | R/W |

Stores transmit and receive data

8-bit transfer mode: Not used

16-bit transfer mode: Upper 8 bits of data

| Bit | 7 | 6 | 5 | 4 | 3 | 2 | 1 | 0 |
|---------------|-----------|-----------|-----------|-----------|-----------|-----------|-----------|-----------|
| | SDRL7 | SDRL6 | SDRL5 | SDRL4 | SDRL3 | SDRL2 | SDRL1 | SDRL0 |
| Initial value | Not fixed | Not fixed | Not fixed | Not fixed | Not fixed | Not fixed | Not fixed | Not fixed |
| Read/Write | R/W | R/W | R/W | R/W | R/W | R/W | R/W | R/W |

Stores transmit and receive data

8-bit transfer mode: 8-bit data

16-bit transfer mode: Lower 8 bits of data

| Bit | 7 | 6 | 5 | 4 | 3 | 2 | 1 | 0 |
|---------------|---|---|---|------|------|------|------|------|
| | — | — | — | STA4 | STA3 | STA2 | STA1 | STA0 |
| Initial value | 1 | 1 | 1 | 0 | 0 | 0 | 0 | 0 |
| Read/Write | — | — | — | R/W | R/W | R/W | R/W | R/W |

Transfer start address in range from H'FF80 to H'FF9F

EDAR—End address register
H'FFA5
SCI2

| | | | | | | | | |
|---------------|---|---|---|------|------|------|------|------|
| Bit | 7 | 6 | 5 | 4 | 3 | 2 | 1 | 0 |
| | — | — | — | EDA4 | EDA3 | EDA2 | EDA1 | EDA0 |
| Initial value | 1 | 1 | 1 | 0 | 0 | 0 | 0 | 0 |
| Read/Write | — | — | — | R/W | R/W | R/W | R/W | R/W |

Transfer end address in range from H'FF80 to H'FF9F

SCR2—Serial control register 2
H'FFA6
SCI2

| | | | | | | | | |
|---------------|---|---|---|------|------|------|------|------|
| Bit | 7 | 6 | 5 | 4 | 3 | 2 | 1 | 0 |
| | — | — | — | GAP1 | GAP0 | CKS2 | CKS1 | CKS0 |
| Initial value | 1 | 1 | 1 | 0 | 0 | 0 | 0 | 0 |
| Read/Write | — | — | — | R/W | R/W | R/W | R/W | R/W |

Clock select (CKS2 to CKS0)

| Bit 2 | Bit 1 | Bit 0 | Pin SCK ₂ | Clock Source | Prescaler Division | Serial Clock Cycle | |
|-------|-------|-------|-------------------------|----------------|--------------------|------------------------|--------------------------|
| CKS2 | CKS1 | CKS0 | | | | $\phi = 5 \text{ MHz}$ | $\phi = 2.5 \text{ MHz}$ |
| 0 | 0 | 0 | SCK ₂ output | Prescaler S | $\phi/256$ | 51.2 μs | 102.4 μs |
| | | 1 | | | $\phi/64$ | 12.8 μs | 25.6 μs |
| | 1 | 0 | | | $\phi/32$ | 6.4 μs | 12.8 μs |
| | | 1 | | | $\phi/16$ | 3.2 μs | 6.4 μs |
| 1 | 0 | 0 | SCK ₂ input | External clock | $\phi/8$ | 1.6 μs | 3.2 μs |
| | | 1 | | | $\phi/4$ | 0.8 μs | 1.6 μs |
| | 1 | 0 | | | $\phi/2$ | — | 0.8 μs |
| | | 1 | | | — | — | — |

Gap select

| | | |
|---|---|--|
| 0 | 0 | No gaps between bytes |
| | 1 | A gap of 8 clock cycles is inserted between bytes |
| 1 | 0 | A gap of 24 clock cycles is inserted between bytes |
| | 1 | A gap of 56 clock cycles is inserted between bytes |

| | | | | | | | | |
|---------------|---|---|---|-----|--------|--------|--------|-----|
| Bit | 7 | 6 | 5 | 4 | 3 | 2 | 1 | 0 |
| | — | — | — | SOL | ORER | WT | ABT | STF |
| Initial value | 1 | 1 | 1 | 0 | 0 | 0 | 0 | 0 |
| Read/Write | — | — | — | R/W | R/(W)* | R/(W)* | R/(W)* | R/W |

Start flag

| | | |
|---|-------|---|
| 0 | Read | Indicates that transfer is stopped |
| | Write | Stops a transfer operation |
| 1 | Read | Indicates transfer in progress or waiting for \overline{CS} input |
| | Write | Starts a transfer operation |

Abort flag

| | |
|---|---|
| 0 | [Clearing condition] After reading 1, cleared by writing 0 |
| 1 | [Setting condition] When \overline{CS} goes high during a transfer |

Wait flag

| | |
|---|---|
| 0 | [Clearing condition] After reading 1, cleared by writing 0 |
| 1 | [Setting condition] An attempt was made to read or write the (32-byte) serial data buffer during a transfer or while waiting for \overline{CS} input |

Overrun error flag

| | |
|---|---|
| 0 | [Clearing condition] After reading 1, cleared by writing 0 |
| 1 | [Setting condition] Set if a clock pulse is input after transfer is complete, when an external clock is used |

Extended data bit

| | | |
|---|-------|--|
| 0 | Read | SO ₂ pin output level is low |
| | Write | SO ₂ pin output level changes to low |
| 1 | Read | SO ₂ pin output level is high |
| | Write | SO ₂ pin output level changes to high |

Note: * Only a write of 0 for flag clearing is possible.

| | | | | | | | | |
|---------------|------|------|------|---|------|------|------|------|
| Bit | 7 | 6 | 5 | 4 | 3 | 2 | 1 | 0 |
| | TMA7 | TMA6 | TMA5 | — | TMA3 | TMA2 | TMA1 | TMA0 |
| Initial value | 0 | 0 | 0 | 1 | 0 | 0 | 0 | 0 |
| Read/Write | R/W | R/W | R/W | — | R/W | R/W | R/W | R/W |

Clock output select

| | | | |
|---|---|---|----------------|
| 0 | 0 | 0 | $\phi/32$ |
| | | 1 | $\phi/16$ |
| 1 | 0 | 0 | $\phi/8$ |
| | | 1 | $\phi/4$ |
| 1 | 0 | 0 | $\phi_{VV}/32$ |
| | | 1 | $\phi_{VV}/16$ |
| | 1 | 0 | $\phi_{VV}/8$ |
| | | 1 | $\phi_{VV}/4$ |

Internal clock select

| TMA3 | TMA2 | TMA1 | TMA0 | Prescaler and Divider Ratio or Overflow Period | Function | |
|------|------|------|------|--|----------------|----------------|
| 0 | 0 | 0 | 0 | PSS $\phi/8192$ | Interval timer | |
| | | | 1 | PSS $\phi/4096$ | | |
| | | 1 | 0 | PSS $\phi/2048$ | | |
| | | | 1 | PSS $\phi/512$ | | |
| | 1 | 0 | 0 | 0 | | PSS $\phi/256$ |
| | | | | 1 | | PSS $\phi/128$ |
| | | 1 | 0 | 0 | | PSS $\phi/32$ |
| | | | | 1 | | PSS $\phi/8$ |
| 1 | 0 | 0 | 0 | PSW 1 s | Time base | |
| | | | 1 | PSW 0.5 s | | |
| | | 1 | 0 | PSW 0.25 s | | |
| | | | 1 | PSW 0.03125 s | | |
| | 1 | 0 | 0 | PSW and TCA are reset | | |
| | | | | 1 | | |
| | | 1 | 0 | 0 | | |
| | | | | 1 | | |

| Bit | 7 | 6 | 5 | 4 | 3 | 2 | 1 | 0 |
|---------------|------|------|------|------|------|------|------|------|
| | TCA7 | TCA6 | TCA5 | TCA4 | TCA3 | TCA2 | TCA1 | TCA0 |
| Initial value | 0 | 0 | 0 | 0 | 0 | 0 | 0 | 0 |
| Read/Write | R | R | R | R | R | R | R | R |

Count value

TMB1—Timer mode register B1

| Bit | 7 | 6 | 5 | 4 | 3 | 2 | 1 | 0 |
|---------------|-------|---|---|---|---|-------|-------|-------|
| | TMB17 | — | — | — | — | TMB12 | TMB11 | TMB10 |
| Initial value | 0 | 1 | 1 | 1 | 1 | 0 | 0 | 0 |
| Read/Write | R/W | — | — | — | — | R/W | R/W | R/W |

Auto-reload function select

| | |
|---|----------------------------------|
| 0 | Interval timer function selected |
| 1 | Auto-reload function selected |

Clock select

| | | | |
|---|---|---|---|
| 0 | 0 | 0 | Internal clock: $\phi/8192$ |
| | 1 | 1 | Internal clock: $\phi/2048$ |
| 1 | 0 | 0 | Internal clock: $\phi/512$ |
| | 1 | 1 | Internal clock: $\phi/256$ |
| 1 | 0 | 0 | Internal clock: $\phi/64$ |
| | | 1 | Internal clock: $\phi/16$ |
| | 1 | 0 | Internal clock: $\phi/4$ |
| | | 1 | External event (TMB1): Rising or falling edge |

TCB1—Timer counter B1**H'FFB3****Timer B1**

| Bit | 7 | 6 | 5 | 4 | 3 | 2 | 1 | 0 |
|---------------|-------|-------|-------|-------|-------|-------|-------|-------|
| | TCB17 | TCB16 | TCB15 | TCB14 | TCB13 | TCB12 | TCB11 | TCB10 |
| Initial value | 0 | 0 | 0 | 0 | 0 | 0 | 0 | 0 |
| Read/Write | R | R | R | R | R | R | R | R |

|
Count value

TLB1—Timer load register B1**H'FFB3****Timer B1**

| Bit | 7 | 6 | 5 | 4 | 3 | 2 | 1 | 0 |
|---------------|-------|-------|-------|-------|-------|-------|-------|-------|
| | TLB17 | TLB16 | TLB15 | TLB14 | TLB13 | TLB12 | TLB11 | TLB10 |
| Initial value | 0 | 0 | 0 | 0 | 0 | 0 | 0 | 0 |
| Read/Write | W | W | W | W | W | W | W | W |

|
Reload value

| Bit | 7 | 6 | 5 | 4 | 3 | 2 | 1 | 0 |
|---------------|------|------|------|---|---|------|------|------|
| | TMC7 | TMC6 | TMC5 | — | — | TMC2 | TMC1 | TMC0 |
| Initial value | 0 | 0 | 0 | 1 | 1 | 0 | 0 | 0 |
| Read/Write | R/W | R/W | R/W | — | — | R/W | R/W | R/W |

| | |
|---|----------------------------------|
| 0 | Interval timer function selected |
| 1 | Auto-reload function selected |

| | | | |
|---|---|---|-------------------------------|
| 0 | 0 | 0 | Internal clock: $\phi/8192$ |
| | 1 | 0 | Internal clock: $\phi/2048$ |
| | 1 | 0 | Internal clock: $\phi/512$ |
| | | 1 | 0 |
| 1 | 0 | 0 | Internal clock: $\phi/16$ |
| | | 1 | Internal clock: $\phi/4$ |
| | 1 | 0 | Internal clock: $\phi_{VV}/4$ |
| | | 1 | 1 |

| | | |
|---|---|--|
| 0 | 0 | TCC is an up-counter |
| | 1 | TCC is a down-counter |
| 1 | * | TCC up/down control is determined by input at pin UD. TCC is a down-counter if the UD input is high, and an up-counter if the UD input is low. |

Note: * Don't care

| Bit | 7 | 6 | 5 | 4 | 3 | 2 | 1 | 0 |
|---------------|------|------|------|------|------|------|------|------|
| | TCC7 | TCC6 | TCC5 | TCC4 | TCC3 | TCC2 | TCC1 | TCC0 |
| Initial value | 0 | 0 | 0 | 0 | 0 | 0 | 0 | 0 |
| Read/Write | R | R | R | R | R | R | R | R |

|
Count value

TLC—Timer load register C
H'FFB5
Timer C

| | | | | | | | | |
|---------------|------|------|------|------|------|------|------|------|
| Bit | 7 | 6 | 5 | 4 | 3 | 2 | 1 | 0 |
| | TLC7 | TLC6 | TLC5 | TLC4 | TLC3 | TLC2 | TLC1 | TLC0 |
| Initial value | 0 | 0 | 0 | 0 | 0 | 0 | 0 | 0 |
| Read/Write | W | W | W | W | W | W | W | W |

Reload value

TME—Timer mode register E
H'FFB6
Timer E

| | | | | | | | | |
|---------------|------|--------|------|------|---|------|------|------|
| Bit | 7 | 6 | 5 | 4 | 3 | 2 | 1 | 0 |
| | TME7 | TMOEON | EREQ | VRFR | — | TME2 | TME1 | TME0 |
| Initial value | 0 | 0 | 0 | 0 | 1 | 0 | 0 | 0 |
| Read/Write | R/W | R/W | R/W | R/W | — | R/W | R/W | R/W |

Clock select

| | | | |
|---|---|---|------------------------------------|
| 0 | 0 | 0 | Internal clock: $\varnothing/8192$ |
| | | 1 | Internal clock: $\varnothing/4096$ |
| | 1 | 0 | Internal clock: $\varnothing/2048$ |
| | | 1 | Internal clock: $\varnothing/512$ |
| 1 | 0 | 0 | Internal clock: $\varnothing/256$ |
| | | 1 | Internal clock: $\varnothing/128$ |
| | 1 | 0 | Internal clock: $\varnothing/32$ |
| | | 1 | Internal clock: $\varnothing/8$ |

Bit 6: Timer E output on/off
Bit 5: Fixed frequency select
Bit 4: Variable frequency select

| Bit 6 | Bit 5 | Bit 4 | Description |
|--------|-------|-------|--|
| TMOEON | EREQ | VRFR | |
| 0 | * | * | Low level output |
| 1 | 0 | 0 | Fixed-frequency output ($\varnothing/2048$): 1.95 kHz ($\varnothing = 4$ MHz), 0.98 kHz ($\varnothing = 2$ MHz) |
| | | 1 | Fixed-frequency output ($\varnothing/1024$): 3.9 kHz ($\varnothing = 4$ MHz), 1.95 kHz ($\varnothing = 2$ MHz) |
| | * | 1 | Variable-frequency output: toggles at timer E overflow |

Auto-reload function select

| | |
|---|----------------------------------|
| 0 | Interval timer function selected |
| 1 | Auto-reload function selected |

TCE—Timer counter E**H'FFB7****Timer E**

| Bit | 7 | 6 | 5 | 4 | 3 | 2 | 1 | 0 |
|---------------|------|------|------|------|------|------|------|------|
| | TCE7 | TCE6 | TCE5 | TCE4 | TCE3 | TCE2 | TCE1 | TCE0 |
| Initial value | 0 | 0 | 0 | 0 | 0 | 0 | 0 | 0 |
| Read/Write | R | R | R | R | R | R | R | R |

Count value

TLE—Timer load E**H'FFB7****Timer E**

| Bit | 7 | 6 | 5 | 4 | 3 | 2 | 1 | 0 |
|---------------|------|------|------|------|------|------|------|------|
| | TLE7 | TLE6 | TLE5 | TLE4 | TLE3 | TLE2 | TLE1 | TLE0 |
| Initial value | 0 | 0 | 0 | 0 | 0 | 0 | 0 | 0 |
| Read/Write | W | W | W | W | W | W | W | W |

Reload value

| Bit | 7 | 6 | 5 | 4 | 3 | 2 | 1 | 0 |
|---------------|-------|-------|------|-------|-------|------|------|------|
| | CMIEB | CMIEA | OVIE | CCLR1 | CCLR0 | CKS2 | CKS1 | CKS0 |
| Initial value | 0 | 0 | 0 | 0 | 0 | 0 | 0 | 0 |
| Read/Write | R/W | R/W | R/W | R/W | R/W | R/W | R/W | R/W |

Clock select

| TCRV0 | | TCRV1 | | Description |
|-------|-------|-------|-------|--|
| Bit 2 | Bit 1 | Bit 0 | Bit 0 | |
| CKS2 | CKS1 | CKS0 | ICKS0 | |
| 0 | 0 | 0 | — | Clock input disabled |
| | | 1 | 0 | Internal clock: $\phi/4$, falling edge |
| | | 1 | 1 | Internal clock: $\phi/8$, falling edge |
| | 1 | 0 | 0 | Internal clock: $\phi/16$, falling edge |
| | | 0 | 1 | Internal clock: $\phi/32$, falling edge |
| | | 1 | 0 | Internal clock: $\phi/64$, falling edge |
| 1 | 0 | 0 | — | Clock input disabled |
| | | 1 | — | External clock: rising edge |
| | 1 | 0 | — | External clock: falling edge |
| | | 1 | — | External clock: rising and falling edges |

Counter clear 1 and 0

| | |
|---|--|
| 0 | Clearing is disabled |
| | Cleared by compare match A |
| 1 | Cleared by compare match B |
| | Cleared by rising edge of external reset input |

Timer overflow interrupt enable

| | |
|---|---|
| 0 | Interrupt request (OVI) from OVF disabled |
| 1 | Interrupt request (OVI) from OVF enabled |

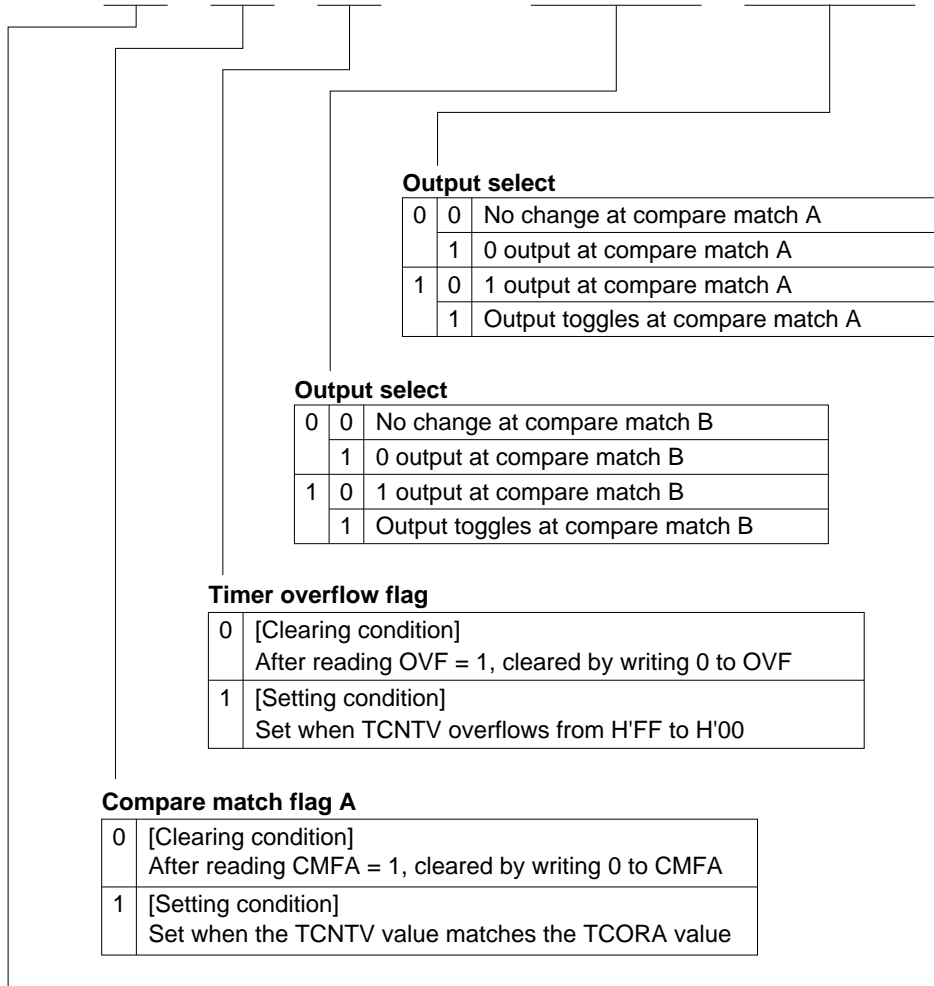
Compare match interrupt enable A

| | |
|---|---|
| 0 | Interrupt request (CMIA) from CMFA disabled |
| 1 | Interrupt request (CMIA) from CMFA enabled |

Compare match interrupt enable B

| | |
|---|---|
| 0 | Interrupt request (CMIB) from CMFB disabled |
| 1 | Interrupt request (CMIB) from CMFB enabled |

| | | | | | | | | |
|---------------|--------|--------|--------|---|-----|-----|-----|-----|
| Bit | 7 | 6 | 5 | 4 | 3 | 2 | 1 | 0 |
| | CMFB | CMFA | OVF | — | OS3 | OS2 | OS1 | OS0 |
| Initial value | 0 | 0 | 0 | 1 | 0 | 0 | 0 | 0 |
| Read/Write | R/(W)* | R/(W)* | R/(W)* | — | R/W | R/W | R/W | R/W |



Output select

| | | |
|---|---|-----------------------------------|
| 0 | 0 | No change at compare match A |
| | 1 | 0 output at compare match A |
| 1 | 0 | 1 output at compare match A |
| | 1 | Output toggles at compare match A |

Output select

| | | |
|---|---|-----------------------------------|
| 0 | 0 | No change at compare match B |
| | 1 | 0 output at compare match B |
| 1 | 0 | 1 output at compare match B |
| | 1 | Output toggles at compare match B |

Timer overflow flag

| | |
|---|--|
| 0 | [Clearing condition] After reading OVF = 1, cleared by writing 0 to OVF |
| 1 | [Setting condition] Set when TCNTV overflows from H'FF to H'00 |

Compare match flag A

| | |
|---|--|
| 0 | [Clearing condition] After reading CMFA = 1, cleared by writing 0 to CMFA |
| 1 | [Setting condition] Set when the TCNTV value matches the TCORA value |

Compare match flag B

| | |
|---|--|
| 0 | [Clearing condition] After reading CMFB = 1, cleared by writing 0 to CMFB |
| 1 | [Setting condition] Set when the TCNTV value matches the TCORB value |

Note: * Only a write of 0 for flag clearing is possible.

TCORA—Time constant register A**H'FFBA****Timer V**

| Bit | 7 | 6 | 5 | 4 | 3 | 2 | 1 | 0 |
|---------------|--------|--------|--------|--------|--------|--------|--------|--------|
| | TCORA7 | TCORA6 | TCORA5 | TCORA4 | TCORA3 | TCORA2 | TCORA1 | TCORA0 |
| Initial value | 1 | 1 | 1 | 1 | 1 | 1 | 1 | 1 |
| Read/Write | R/W | R/W | R/W | R/W | R/W | R/W | R/W | R/W |

TCORB—Time constant register B**H'FFBB****Timer V**

| Bit | 7 | 6 | 5 | 4 | 3 | 2 | 1 | 0 |
|---------------|--------|--------|--------|--------|--------|--------|--------|--------|
| | TCORB7 | TCORB6 | TCORB5 | TCORB4 | TCORB3 | TCORB2 | TCORB1 | TCORB0 |
| Initial value | 1 | 1 | 1 | 1 | 1 | 1 | 1 | 1 |
| Read/Write | R/W | R/W | R/W | R/W | R/W | R/W | R/W | R/W |

TCNTV—Timer counter V**H'FFBC****Timer V**

| Bit | 7 | 6 | 5 | 4 | 3 | 2 | 1 | 0 |
|---------------|--------|--------|--------|--------|--------|--------|--------|--------|
| | TCNTV7 | TCNTV6 | TCNTV5 | TCNTV4 | TCNTV3 | TCNTV2 | TCNTV1 | TCNTV0 |
| Initial value | 0 | 0 | 0 | 0 | 0 | 0 | 0 | 0 |
| Read/Write | R/W | R/W | R/W | R/W | R/W | R/W | R/W | R/W |

| Bit | 7 | 6 | 5 | 4 | 3 | 2 | 1 | 0 |
|---------------|---|---|---|-------|-------|------|---|-------|
| | — | — | — | TVEG1 | TVEG0 | TRGE | — | ICKS0 |
| Initial value | 1 | 1 | 1 | 0 | 0 | 0 | 1 | 0 |
| Read/Write | — | — | — | R/W | R/W | R/W | — | R/W |

Internal clock select

Selects the TCNTV clock source, with bits CKS2 to CKS0 in TCRV0

TRGV input enable

| | |
|---|--|
| 0 | TCNTV counting is not triggered by input at the TRGV pin, and does not stop when TCNTV is cleared by compare match |
| 1 | TCNTV counting is triggered by input at the TRGV pin, and stops when TCNTV is cleared by compare match |

TRGV input edge select

| | | |
|---|---|--|
| 0 | 0 | TRGV trigger input is disabled |
| | 1 | Rising edge is selected |
| 1 | 0 | Falling edge is selected |
| | 1 | Rising and falling edges are both selected |

| Bit | 7 | 6 | 5 | 4 | 3 | 2 | 1 | 0 |
|---------------|------|--------|------|--------|------|--------|------|--------|
| | B6WI | TCWE | B4WI | TCSRWE | B2WI | WDON | B0WI | WRST |
| Initial value | 1 | 0 | 1 | 0 | 1 | 0 | 1 | 0 |
| Read/Write | R | R/(W)* | R | R/(W)* | R | R/(W)* | R | R/(W)* |

Watchdog timer reset

| | |
|---|---|
| 0 | [Clearing conditions] <ul style="list-style-type: none"> Reset by RES pin When TCSRWE = 1, and 0 is written in both B0WI and WRST |
| 1 | [Setting condition] <ul style="list-style-type: none"> When TCW overflows and a reset signal is generated |

Bit 0 write inhibit

| | |
|---|--------------------------|
| 0 | Bit 0 is write-enabled |
| 1 | Bit 0 is write-protected |

Watchdog timer on

| | |
|---|--------------------------------------|
| 0 | Watchdog timer operation is disabled |
| 1 | Watchdog timer operation is enabled |

Bit 2 write inhibit

| | |
|---|--------------------------|
| 0 | Bit 2 is write-enabled |
| 1 | Bit 2 is write-protected |

Timer control/status register W write enable

| | |
|---|--|
| 0 | Data cannot be written to TCSRW bits 2 and 0 |
| 1 | Data can be written to TCSRW bits 2 and 0 |

Bit 4 write inhibit

| | |
|---|--------------------------|
| 0 | Bit 4 is write-enabled |
| 1 | Bit 4 is write-protected |

Timer counter W write enable

| | |
|---|-------------------------------|
| 0 | Data cannot be written to TCW |
| 1 | Data can be written to TCW |

Bit 6 write inhibit

| | |
|---|--------------------------|
| 0 | Bit 6 is write-enabled |
| 1 | Bit 6 is write-protected |

Note: * Write is permitted only under certain conditions.

TCW—Timer counter W

H'FFBF

Watchdog timer

| | | | | | | | | |
|---------------|------|------|------|------|------|------|------|------|
| Bit | 7 | 6 | 5 | 4 | 3 | 2 | 1 | 0 |
| | TCW7 | TCW6 | TCW5 | TCW4 | TCW3 | TCW2 | TCW1 | TCW0 |
| Initial value | 0 | 0 | 0 | 0 | 0 | 0 | 0 | 0 |
| Read/Write | R/W | R/W | R/W | R/W | R/W | R/W | R/W | R/W |

Count value

TMB2—Timer mode register B2

H'FFC2

Timer B2

| | | | | | | | | |
|---------------|-------|---|---|---|---|-------|-------|-------|
| Bit | 7 | 6 | 5 | 4 | 3 | 2 | 1 | 0 |
| | TMB27 | — | — | — | — | TMB22 | TMB21 | TMB20 |
| Initial value | 0 | 1 | 1 | 1 | 1 | 0 | 0 | 0 |
| Read/Write | R/W | — | — | — | — | R/W | R/W | R/W |

Clock select

| | | | |
|---|---|---|-----------------------------|
| 0 | 0 | 0 | Internal clock: $\phi/2048$ |
| | | 1 | Internal clock: $\phi/512$ |
| 1 | 0 | 0 | Internal clock: $\phi/256$ |
| | | 1 | Internal clock: $\phi/64$ |
| 1 | 0 | 0 | Internal clock: $\phi/16$ |
| | | 1 | Internal clock: $\phi/8$ |
| | 1 | 0 | Internal clock: $\phi/4$ |
| | | 1 | Reserved |

Auto-reload function select

| | |
|---|----------------------------------|
| 0 | Interval timer function selected |
| 1 | Auto-reload function selected |

TCB2—Timer counter B2**H'FFC3****Timer B2**

| Bit | 7 | 6 | 5 | 4 | 3 | 2 | 1 | 0 |
|---------------|-------|-------|-------|-------|-------|-------|-------|-------|
| | TCB27 | TCB26 | TCB25 | TCB24 | TCB23 | TCB22 | TCB21 | TCB20 |
| Initial value | 0 | 0 | 0 | 0 | 0 | 0 | 0 | 0 |
| Read/Write | R | R | R | R | R | R | R | R |

|
Count value

TLB2—Timer load register B2**H'FFC3****Timer B2**

| Bit | 7 | 6 | 5 | 4 | 3 | 2 | 1 | 0 |
|---------------|-------|-------|-------|-------|-------|-------|-------|-------|
| | TLB27 | TLB26 | TLB25 | TLB24 | TLB23 | TLB22 | TLB21 | TLB20 |
| Initial value | 0 | 0 | 0 | 0 | 0 | 0 | 0 | 0 |
| Read/Write | W | W | W | W | W | W | W | W |

|
Reload value

| | | | | | | | | |
|---------------|-----|------|---|---|-----|-----|-----|-----|
| Bit | 7 | 6 | 5 | 4 | 3 | 2 | 1 | 0 |
| | CKS | TRGE | — | — | CH3 | CH2 | CH1 | CH0 |
| Initial value | 0 | 0 | 1 | 1 | 0 | 0 | 0 | 0 |
| Read/Write | R/W | R/W | — | — | R/W | R/W | R/W | R/W |

Channel select

| Bit 3 | Bit 2 | Bit 1 | Bit 0 | Analog Input Channel |
|-------|-------|-------|-------|----------------------|
| CH3 | CH2 | CH1 | CH0 | |
| 0 | 0 | * | * | No channel selected |
| | | 1 | 0 | AN ₀ |
| | | | 1 | AN ₁ |
| | | | 0 | AN ₂ |
| 1 | 0 | 0 | 0 | AN ₃ |
| | | | 1 | AN ₄ |
| | | | 1 | AN ₅ |
| | | 1 | 0 | AN ₆ |
| | | | 1 | AN ₇ |
| | | | * | * |

External trigger select

| | |
|---|--|
| 0 | Disables start of A/D conversion by external trigger |
| 1 | Enables start of A/D conversion by rising or falling edge of external trigger at pin ADTRG |

Clock select

| Bit 7 | Conversion Period | Conversion Time | |
|-------|-------------------|-------------------------------|-------------------------------|
| | | $\varnothing = 2 \text{ MHz}$ | $\varnothing = 5 \text{ MHz}$ |
| 0 | $62/\varnothing$ | 31 μs | 12.4 μs |
| 1 | $31/\varnothing$ | 15.5 μs | —*1 |

Notes: * Don't care

1. Operation is not guaranteed if the conversion time is less than 12.4 μs . Set bit 7 for a value of at least 12.4 μs .

ADRR—A/D result register**H'FFC5****A/D converter**

| | | | | | | | | |
|---------------|-----------|-----------|-----------|-----------|-----------|-----------|-----------|-----------|
| Bit | 7 | 6 | 5 | 4 | 3 | 2 | 1 | 0 |
| | ADR7 | ADR6 | ADR5 | ADR4 | ADR3 | ADR2 | ADR1 | ADR0 |
| Initial value | Not fixed | Not fixed | Not fixed | Not fixed | Not fixed | Not fixed | Not fixed | Not fixed |
| Read/Write | R | R | R | R | R | R | R | R |

A/D conversion result

ADSR—A/D start register**H'FFC6****A/D converter**

| | | | | | | | | |
|---------------|------|---|---|---|---|---|---|---|
| Bit | 7 | 6 | 5 | 4 | 3 | 2 | 1 | 0 |
| | ADSF | — | — | — | — | — | — | — |
| Initial value | 0 | 1 | 1 | 1 | 1 | 1 | 1 | 1 |
| Read/Write | R/W | — | — | — | — | — | — | — |

A/D status flag

| | | |
|---|-------|--|
| 0 | Read | Indicates completion of A/D conversion |
| | Write | Stops A/D conversion |
| 1 | Read | Indicates A/D conversion in progress |
| | Write | Starts A/D conversion |

DADR0—D/A data register 0**H'FFC8****D/A converter**

| | | | | | | | | |
|---------------|--------|--------|--------|--------|--------|--------|--------|--------|
| Bit | 7 | 6 | 5 | 4 | 3 | 2 | 1 | 0 |
| | DADR07 | DADR06 | DADR05 | DADR04 | DADR03 | DADR02 | DADR01 | DADR00 |
| Initial value | 0 | 0 | 0 | 0 | 0 | 0 | 0 | 0 |
| Read/Write | R/W | R/W | R/W | R/W | R/W | R/W | R/W | R/W |

D/A conversion data

DADR1—D/A data register 1**H'FFC9****D/A converter**

| | | | | | | | | |
|---------------|--------|--------|--------|--------|--------|--------|--------|--------|
| Bit | 7 | 6 | 5 | 4 | 3 | 2 | 1 | 0 |
| | DADR17 | DADR16 | DADR15 | DADR14 | DADR13 | DADR12 | DADR11 | DADR10 |
| Initial value | 0 | 0 | 0 | 0 | 0 | 0 | 0 | 0 |
| Read/Write | R/W | R/W | R/W | R/W | R/W | R/W | R/W | R/W |

D/A conversion data

DADR2—D/A data register 2**H'FFCA****D/A converter**

| | | | | | | | | |
|---------------|--------|--------|--------|--------|--------|--------|--------|--------|
| Bit | 7 | 6 | 5 | 4 | 3 | 2 | 1 | 0 |
| | DADR27 | DADR26 | DADR25 | DADR24 | DADR23 | DADR22 | DADR21 | DADR20 |
| Initial value | 0 | 0 | 0 | 0 | 0 | 0 | 0 | 0 |
| Read/Write | R/W | R/W | R/W | R/W | R/W | R/W | R/W | R/W |

D/A conversion data

DADR3—D/A data register 3**H'FFCB****D/A converter**

| | | | | | | | | |
|---------------|--------|--------|--------|--------|--------|--------|--------|--------|
| Bit | 7 | 6 | 5 | 4 | 3 | 2 | 1 | 0 |
| | DADR37 | DADR36 | DADR35 | DADR34 | DADR33 | DADR32 | DADR31 | DADR30 |
| Initial value | 0 | 0 | 0 | 0 | 0 | 0 | 0 | 0 |
| Read/Write | R/W | R/W | R/W | R/W | R/W | R/W | R/W | R/W |

D/A conversion data

| | | | | | | | | |
|---------------|---|---|---|------|-------|-------|-------|-------|
| Bit | 7 | 6 | 5 | 4 | 3 | 2 | 1 | 0 |
| | — | — | — | DAE0 | DAOE3 | DAOE2 | DAOE1 | DAOE0 |
| Initial value | 1 | 1 | 1 | 0 | 0 | 0 | 0 | 0 |
| Read/Write | R | R | R | R/W | R/W | R/W | R/W | R/W |

D/A output enable 0

| | |
|---|--|
| 0 | Channel 0 analog output disabled (DA ₀ in high-impedance state) |
| 1 | Channel 0 analog output enabled |

D/A output enable 1

| | |
|---|--|
| 0 | Channel 1 analog output disabled (DA ₁ in high-impedance state) |
| 1 | Channel 1 analog output enabled |

D/A output enable 2

| | |
|---|--|
| 0 | Channel 2 analog output disabled (DA ₂ in high-impedance state) |
| 1 | Channel 2 analog output enabled |

D/A output enable 3

| | |
|---|--|
| 0 | Channel 3 analog output disabled (DA ₃ in high-impedance state) |
| 1 | Channel 3 analog output enabled |

D/A enable 0

| | |
|---|--|
| 0 | D/A conversion disabled on channels 3 to 0 |
| 1 | D/A conversion enabled on channels 3 to 0 |

| Bit | 7 | 6 | 5 | 4 | 3 | 2 | 1 | 0 |
|---------------|------|---|---|---|---|------|------|------|
| | TMY7 | — | — | — | — | TMY2 | TMY1 | TMY0 |
| Initial value | 0 | 1 | 1 | 1 | 1 | 0 | 0 | 0 |
| Read/Write | R/W | — | — | — | — | R/W | R/W | R/W |

Clock select

| | | | |
|---|---|---|---|
| 0 | 0 | 0 | Internal clock: $\varnothing/8192$ |
| | | 1 | Internal clock: $\varnothing/2048$ |
| | 1 | 0 | Internal clock: $\varnothing/512$ |
| | | 1 | Internal clock: $\varnothing/256$ |
| 1 | 0 | 0 | Internal clock: $\varnothing/64$ |
| | | 1 | Internal clock: $\varnothing/16$ |
| | 1 | 0 | Internal clock: $\varnothing/4$ |
| | | 1 | External event (TMIY), rising or falling edge |

Auto-reload function select

| | |
|---|----------------------------------|
| 0 | Interval timer function selected |
| 1 | Auto-reload function selected |

TCYH—Timer counter YH**H'FFCE****Timer Y**

| Bit | 7 | 6 | 5 | 4 | 3 | 2 | 1 | 0 |
|---------------|-------|-------|-------|-------|-------|-------|-------|-------|
| | TCYH7 | TCYH6 | TCYH5 | TCYH4 | TCYH3 | TCYH2 | TCYH1 | TCYH0 |
| Initial value | 0 | 0 | 0 | 0 | 0 | 0 | 0 | 0 |
| Read/Write | R | R | R | R | R | R | R | R |

Count value

TLYH—Timer load register YH**H'FFCE****Timer Y**

| Bit | 7 | 6 | 5 | 4 | 3 | 2 | 1 | 0 |
|---------------|-------|-------|-------|-------|-------|-------|-------|-------|
| | TLYH7 | TLYH6 | TLYH5 | TLYH4 | TLYH3 | TLYH2 | TLYH1 | TLYH0 |
| Initial value | 0 | 0 | 0 | 0 | 0 | 0 | 0 | 0 |
| Read/Write | W | W | W | W | W | W | W | W |

Reload value

TCYL—Timer counter YL**H'FFCF****Timer Y**

| Bit | 7 | 6 | 5 | 4 | 3 | 2 | 1 | 0 |
|---------------|-------|-------|-------|-------|-------|-------|-------|-------|
| | TLYL7 | TLYL6 | TLYL5 | TLYL4 | TLYL3 | TLYL2 | TLYL1 | TLYL0 |
| Initial value | 0 | 0 | 0 | 0 | 0 | 0 | 0 | 0 |
| Read/Write | R | R | R | R | R | R | R | R |

Count value

TLYL—Timer load register YL**H'FFCF****Timer Y**

| Bit | 7 | 6 | 5 | 4 | 3 | 2 | 1 | 0 |
|---------------|-------|-------|-------|-------|-------|-------|-------|-------|
| | TLYL7 | TLYL6 | TLYL5 | TLYL4 | TLYL3 | TLYL2 | TLYL1 | TLYL0 |
| Initial value | 0 | 0 | 0 | 0 | 0 | 0 | 0 | 0 |
| Read/Write | W | W | W | W | W | W | W | W |

Reload value

PWCR—PWM control register

H'FFD0

14-bit PWM

| | | | | | | | | |
|---------------|---|---|---|---|---|---|---|-------|
| Bit | 7 | 6 | 5 | 4 | 3 | 2 | 1 | 0 |
| | — | — | — | — | — | — | — | PWCR0 |
| Initial value | 1 | 1 | 1 | 1 | 1 | 1 | 1 | 0 |
| Read/Write | — | — | — | — | — | — | — | W |

Clock select

| | |
|---|--|
| 0 | The input clock is $\phi/2$ ($t\phi^* = 2/\phi$). The conversion period is $16,384/\phi$, with a minimum modulation width of $1/\phi$. |
| 1 | The input clock is $\phi/4$ ($t\phi^* = 4/\phi$). The conversion period is $32,768/\phi$, with a minimum modulation width of $2/\phi$. |

Note: * $t\phi$: Period of PWM input clock

PWDRU—PWM data register U

H'FFD1

14-bit PWM

| | | | | | | | | |
|---------------|---|---|--------|--------|--------|--------|--------|--------|
| Bit | 7 | 6 | 5 | 4 | 3 | 2 | 1 | 0 |
| | — | — | PWDRU5 | PWDRU4 | PWDRU3 | PWDRU2 | PWDRU1 | PWDRU0 |
| Initial value | 1 | 1 | 0 | 0 | 0 | 0 | 0 | 0 |
| Read/Write | — | — | W | W | W | W | W | W |

Upper 6 bits of data for generating PWM waveform

PWDR L—PWM data register L

H'FFD2

14-bit PWM

| | | | | | | | | |
|---------------|---------|---------|---------|---------|---------|---------|---------|---------|
| Bit | 7 | 6 | 5 | 4 | 3 | 2 | 1 | 0 |
| | PWDR L7 | PWDR L6 | PWDR L5 | PWDR L4 | PWDR L3 | PWDR L2 | PWDR L1 | PWDR L0 |
| Initial value | 0 | 0 | 0 | 0 | 0 | 0 | 0 | 0 |
| Read/Write | W | W | W | W | W | W | W | W |

Lower 8 bits of data for generating PWM waveform

PDR1—Port data register 1**H'FFD4****I/O ports**

| Bit | 7 | 6 | 5 | 4 | 3 | 2 | 1 | 0 |
|---------------|-----------------|-----------------|-----------------|-----------------|-----------------|-----------------|-----------------|-----------------|
| | P1 ₇ | P1 ₆ | P1 ₅ | P1 ₄ | P1 ₃ | P1 ₂ | P1 ₁ | P1 ₀ |
| Initial value | 0 | 0 | 0 | 0 | 0 | 0 | 0 | 0 |
| Read/Write | R/W | R/W | R/W | R/W | R/W | R/W | R/W | R/W |

PDR3—Port data register 3**H'FFD6****I/O ports**

| Bit | 7 | 6 | 5 | 4 | 3 | 2 | 1 | 0 |
|---------------|-----------------|-----------------|-----------------|-----------------|-----------------|-----------------|-----------------|-----------------|
| | P3 ₇ | P3 ₆ | P3 ₅ | P3 ₄ | P3 ₃ | P3 ₂ | P3 ₁ | P3 ₀ |
| Initial value | 0 | 0 | 0 | 0 | 0 | 0 | 0 | 0 |
| Read/Write | R/W | R/W | R/W | R/W | R/W | R/W | R/W | R/W |

PDR4—Port data register 4**H'FFD7****I/O ports**

| Bit | 7 | 6 | 5 | 4 | 3 | 2 | 1 | 0 |
|---------------|-----------------|-----------------|-----------------|-----------------|-----------------|-----------------|-----------------|-----------------|
| | P4 ₇ | P4 ₆ | P4 ₅ | P4 ₄ | P4 ₃ | P4 ₂ | P4 ₁ | P4 ₀ |
| Initial value | 0 | 0 | 0 | 0 | 0 | 0 | 0 | 0 |
| Read/Write | R/W | R/W | R/W | R/W | R/W | R/W | R/W | R/W |

PDR5—Port data register 5**H'FFD8****I/O ports**

| Bit | 7 | 6 | 5 | 4 | 3 | 2 | 1 | 0 |
|---------------|-----------------|-----------------|-----------------|-----------------|-----------------|-----------------|-----------------|-----------------|
| | P5 ₇ | P5 ₆ | P5 ₅ | P5 ₄ | P5 ₃ | P5 ₂ | P5 ₁ | P5 ₀ |
| Initial value | 0 | 0 | 0 | 0 | 0 | 0 | 0 | 0 |
| Read/Write | R/W | R/W | R/W | R/W | R/W | R/W | R/W | R/W |

PDR6—Port data register 6**H'FFD9****I/O ports**

| Bit | 7 | 6 | 5 | 4 | 3 | 2 | 1 | 0 |
|---------------|-----------------|-----------------|-----------------|-----------------|-----------------|-----------------|-----------------|-----------------|
| | P6 ₇ | P6 ₆ | P6 ₅ | P6 ₄ | P6 ₃ | P6 ₂ | P6 ₁ | P6 ₀ |
| Initial value | 0 | 0 | 0 | 0 | 0 | 0 | 0 | 0 |
| Read/Write | R/W | R/W | R/W | R/W | R/W | R/W | R/W | R/W |

PDR7—Port data register 7**H'FFDA****I/O ports**

| | | | | | | | | |
|---------------|-----------------|-----------------|-----------------|-----------------|-----------------|-----------------|-----------------|-----------------|
| Bit | 7 | 6 | 5 | 4 | 3 | 2 | 1 | 0 |
| | P7 ₇ | P7 ₆ | P7 ₅ | P7 ₄ | P7 ₃ | P7 ₂ | P7 ₁ | P7 ₀ |
| Initial value | 0 | 0 | 0 | 0 | 0 | 0 | 0 | 0 |
| Read/Write | R/W | R/W | R/W | R/W | R/W | R/W | R/W | R/W |

PDR8—Port data register 8**H'FFDB****I/O ports**

| | | | | | | | | |
|---------------|-----------------|-----------------|-----------------|-----------------|-----------------|-----------------|-----------------|-----------------|
| Bit | 7 | 6 | 5 | 4 | 3 | 2 | 1 | 0 |
| | P8 ₇ | P8 ₆ | P8 ₅ | P8 ₄ | P8 ₃ | P8 ₂ | P8 ₁ | P8 ₀ |
| Initial value | 0 | 0 | 0 | 0 | 0 | 0 | 0 | 0 |
| Read/Write | R/W | R/W | R/W | R/W | R/W | R/W | R/W | R/W |

PDRB—Port data register B**H'FFDD****I/O ports**

| | | | | | | | | |
|---------------|-----------------|-----------------|-----------------|-----------------|-----------------|-----------------|-----------------|-----------------|
| Bit | 7 | 6 | 5 | 4 | 3 | 2 | 1 | 0 |
| | PB ₇ | PB ₆ | PB ₅ | PB ₄ | PB ₃ | PB ₂ | PB ₁ | PB ₀ |
| Initial value | | | | | | | | |
| Read/Write | R | R | R | R | R | R | R | R |

PDRC—Port data register C**H'FFDE****I/O ports**

| | | | | | | | | |
|---------------|---|---|---|---|-----------------|-----------------|-----------------|-----------------|
| Bit | 7 | 6 | 5 | 4 | 3 | 2 | 1 | 0 |
| | — | — | — | — | PC ₃ | PC ₂ | PC ₁ | PC ₀ |
| Initial value | | | | | | | | |
| Read/Write | — | — | — | — | R | R | R | R |

TMB3—Timer mode register B3
H'FFE2
Timer B3

| Bit | 7 | 6 | 5 | 4 | 3 | 2 | 1 | 0 |
|---------------|-------|---|---|---|---|-------|-------|-------|
| | TMB37 | — | — | — | — | TMB32 | TMB31 | TMB30 |
| Initial value | 0 | 1 | 1 | 1 | 1 | 0 | 0 | 0 |
| Read/Write | R/W | — | — | — | — | R/W | R/W | R/W |

Clock select

| | | | |
|---|---|---|-----------------------------|
| 0 | 0 | 0 | Internal clock: $\phi/2048$ |
| | | 1 | Internal clock: $\phi/512$ |
| | 1 | 0 | Internal clock: $\phi/256$ |
| | | 1 | Internal clock: $\phi/64$ |
| 1 | 0 | 0 | Internal clock: $\phi/16$ |
| | | 1 | Internal clock: $\phi/8$ |
| | 1 | 0 | Internal clock: $\phi/4$ |
| | | 1 | Reserved |

Auto-reload function select

| | |
|---|----------------------------------|
| 0 | Interval timer function selected |
| 1 | Auto-reload function selected |

TCB3—Timer counter B3
H'FFE3
Timer B3

| Bit | 7 | 6 | 5 | 4 | 3 | 2 | 1 | 0 |
|---------------|-------|-------|-------|-------|-------|-------|-------|-------|
| | TCB37 | TCB36 | TCB35 | TCB34 | TCB33 | TCB32 | TCB31 | TCB30 |
| Initial value | 0 | 0 | 0 | 0 | 0 | 0 | 0 | 0 |
| Read/Write | R | R | R | R | R | R | R | R |

Count value

TLB3—Timer load register B3
H'FFE3
Timer B3

| Bit | 7 | 6 | 5 | 4 | 3 | 2 | 1 | 0 |
|---------------|-------|-------|-------|-------|-------|-------|-------|-------|
| | TLB37 | TLB36 | TLB35 | TLB34 | TLB33 | TLB32 | TLB31 | TLB30 |
| Initial value | 0 | 0 | 0 | 0 | 0 | 0 | 0 | 0 |
| Read/Write | W | W | W | W | W | W | W | W |

Reload value

PCR1—Port control register 1**H'FFE4****I/O ports**

| | | | | | | | | |
|---------------|-------------------|-------------------|-------------------|-------------------|-------------------|-------------------|-------------------|-------------------|
| Bit | 7 | 6 | 5 | 4 | 3 | 2 | 1 | 0 |
| | PCR1 ₇ | PCR1 ₆ | PCR1 ₅ | PCR1 ₄ | PCR1 ₃ | PCR1 ₂ | PCR1 ₁ | PCR1 ₀ |
| Initial value | 0 | 0 | 0 | 0 | 0 | 0 | 0 | 0 |
| Read/Write | W | W | W | W | W | W | W | W |

Port 1 input/output select

| | |
|---|------------|
| 0 | Input pin |
| 1 | Output pin |

PCR3—Port control register 3**H'FFE6****I/O ports**

| | | | | | | | | |
|---------------|-------------------|-------------------|-------------------|-------------------|-------------------|-------------------|-------------------|-------------------|
| Bit | 7 | 6 | 5 | 4 | 3 | 2 | 1 | 0 |
| | PCR3 ₇ | PCR3 ₆ | PCR3 ₅ | PCR3 ₄ | PCR3 ₃ | PCR3 ₂ | PCR3 ₁ | PCR3 ₀ |
| Initial value | 0 | 0 | 0 | 0 | 0 | 0 | 0 | 0 |
| Read/Write | W | W | W | W | W | W | W | W |

Port 3 input/output select

| | |
|---|------------|
| 0 | Input pin |
| 1 | Output pin |

PCR4—Port control register 4**H'FFE7****I/O ports**

| | | | | | | | | |
|---------------|-------------------|-------------------|-------------------|-------------------|-------------------|-------------------|-------------------|-------------------|
| Bit | 7 | 6 | 5 | 4 | 3 | 2 | 1 | 0 |
| | PCR4 ₇ | PCR4 ₆ | PCR4 ₅ | PCR4 ₄ | PCR4 ₃ | PCR4 ₂ | PCR4 ₁ | PCR4 ₀ |
| Initial value | 0 | 0 | 0 | 0 | 0 | 0 | 0 | 0 |
| Read/Write | W | W | W | W | W | W | W | W |

Port 4 input/output select

| | |
|---|------------|
| 0 | Input pin |
| 1 | Output pin |

PCR5—Port control register 5**H'FFE8****I/O ports**

| | | | | | | | | |
|---------------|-------------------|-------------------|-------------------|-------------------|-------------------|-------------------|-------------------|-------------------|
| Bit | 7 | 6 | 5 | 4 | 3 | 2 | 1 | 0 |
| | PCR5 ₇ | PCR5 ₆ | PCR5 ₅ | PCR5 ₄ | PCR5 ₃ | PCR5 ₂ | PCR5 ₁ | PCR5 ₀ |
| Initial value | 0 | 0 | 0 | 0 | 0 | 0 | 0 | 0 |
| Read/Write | W | W | W | W | W | W | W | W |

Port 5 input/output select

| | |
|---|------------|
| 0 | Input pin |
| 1 | Output pin |

PCR6—Port control register 6**H'FFE9****I/O ports**

| | | | | | | | | |
|---------------|-------------------|-------------------|-------------------|-------------------|-------------------|-------------------|-------------------|-------------------|
| Bit | 7 | 6 | 5 | 4 | 3 | 2 | 1 | 0 |
| | PCR6 ₇ | PCR6 ₆ | PCR6 ₅ | PCR6 ₄ | PCR6 ₃ | PCR6 ₂ | PCR6 ₁ | PCR6 ₀ |
| Initial value | 0 | 0 | 0 | 0 | 0 | 0 | 0 | 0 |
| Read/Write | W | W | W | W | W | W | W | W |

Port 6 input/output select

| | |
|---|------------|
| 0 | Input pin |
| 1 | Output pin |

PCR7—Port control register 7**H'FFEA****I/O ports**

| | | | | | | | | |
|---------------|-------------------|-------------------|-------------------|-------------------|-------------------|-------------------|-------------------|-------------------|
| Bit | 7 | 6 | 5 | 4 | 3 | 2 | 1 | 0 |
| | PCR7 ₇ | PCR7 ₆ | PCR7 ₅ | PCR7 ₄ | PCR7 ₃ | PCR7 ₂ | PCR7 ₁ | PCR7 ₀ |
| Initial value | 0 | 0 | 0 | 0 | 0 | 0 | 0 | 0 |
| Read/Write | W | W | W | W | W | W | W | W |

Port 7 input/output select

| | |
|---|------------|
| 0 | Input pin |
| 1 | Output pin |

PCR8—Port control register 8**H'FFEB****I/O ports**

| | | | | | | | | |
|---------------|-------------------|-------------------|-------------------|-------------------|-------------------|-------------------|-------------------|-------------------|
| Bit | 7 | 6 | 5 | 4 | 3 | 2 | 1 | 0 |
| | PCR8 ₇ | PCR8 ₆ | PCR8 ₅ | PCR8 ₄ | PCR8 ₃ | PCR8 ₂ | PCR8 ₁ | PCR8 ₀ |
| Initial value | 0 | 0 | 0 | 0 | 0 | 0 | 0 | 0 |
| Read/Write | W | W | W | W | W | W | W | W |

Port 8 input/output select

| | |
|---|------------|
| 0 | Input pin |
| 1 | Output pin |

PUCR1—Port pull-up control register 1**H'FFED****I/O ports**

| | | | | | | | | |
|---------------|--------------------|--------------------|--------------------|--------------------|--------------------|--------------------|--------------------|--------------------|
| Bit | 7 | 6 | 5 | 4 | 3 | 2 | 1 | 0 |
| | PUCR1 ₇ | PUCR1 ₆ | PUCR1 ₅ | PUCR1 ₄ | PUCR1 ₃ | PUCR1 ₂ | PUCR1 ₁ | PUCR1 ₀ |
| Initial value | 0 | 0 | 0 | 0 | 0 | 0 | 0 | 0 |
| Read/Write | R/W | R/W | R/W | R/W | R/W | R/W | R/W | R/W |

PUCR3—Port pull-up control register 3**H'FFEE****I/O ports**

| | | | | | | | | |
|---------------|--------------------|--------------------|--------------------|--------------------|--------------------|--------------------|--------------------|--------------------|
| Bit | 7 | 6 | 5 | 4 | 3 | 2 | 1 | 0 |
| | PUCR3 ₇ | PUCR3 ₆ | PUCR3 ₅ | PUCR3 ₄ | PUCR3 ₃ | PUCR3 ₂ | PUCR3 ₁ | PUCR3 ₀ |
| Initial value | 0 | 0 | 0 | 0 | 0 | 0 | 0 | 0 |
| Read/Write | R/W | R/W | R/W | R/W | R/W | R/W | R/W | R/W |

PUCR5—Port pull-up control register 5**H'FFEF****I/O ports**

| | | | | | | | | |
|---------------|--------------------|--------------------|--------------------|--------------------|--------------------|--------------------|--------------------|--------------------|
| Bit | 7 | 6 | 5 | 4 | 3 | 2 | 1 | 0 |
| | PUCR5 ₇ | PUCR5 ₆ | PUCR5 ₅ | PUCR5 ₄ | PUCR5 ₃ | PUCR5 ₂ | PUCR5 ₁ | PUCR5 ₀ |
| Initial value | 0 | 0 | 0 | 0 | 0 | 0 | 0 | 0 |
| Read/Write | R/W | R/W | R/W | R/W | R/W | R/W | R/W | R/W |

| Bit | 7 | 6 | 5 | 4 | 3 | 2 | 1 | 0 |
|---------------|------|------|------|------|------|---|---|---|
| | SSBY | STS2 | STS1 | STS0 | LSON | — | — | — |
| Initial value | 0 | 0 | 0 | 0 | 0 | 1 | 1 | 1 |
| Read/Write | R/W | R/W | R/W | R/W | R/W | — | — | — |

Low speed on flag

| | |
|---|---|
| 0 | The CPU operates on the system clock (ϕ) |
| 1 | The CPU operates on the subclock (ϕ_{SUB}) |

Standby timer select 2 to 0

| | | | |
|---|---|---|----------------------------|
| 0 | 0 | 0 | Wait time = 8,192 states |
| | | 1 | Wait time = 16,384 states |
| 1 | 0 | 0 | Wait time = 32,768 states |
| | | 1 | Wait time = 65,536 states |
| 1 | * | * | Wait time = 131,072 states |

Software standby

| | |
|---|---|
| 0 | <ul style="list-style-type: none"> When a SLEEP instruction is executed in active mode, a transition is made to sleep mode When a SLEEP instruction is executed in subactive mode, a transition is made to subsleep mode |
| 1 | <ul style="list-style-type: none"> When a SLEEP instruction is executed in active mode, a transition is made to standby mode or watch mode When a SLEEP instruction is executed in subactive mode, a transition is made to watch mode |

Note: * Don't care

| | | | | | | | | |
|---------------|---|---|---|-------|------|------|-----|-----|
| Bit | 7 | 6 | 5 | 4 | 3 | 2 | 1 | 0 |
| | — | — | — | NESEL | DTON | MSON | SA1 | SA0 |
| Initial value | 1 | 1 | 1 | 0 | 0 | 0 | 0 | 0 |
| Read/Write | — | — | — | R/W | R/W | R/W | R/W | R/W |

Subactive mode clock select

| | | |
|---|---|--------------|
| 0 | 0 | $\phi_{W/8}$ |
| | 1 | $\phi_{W/4}$ |
| 1 | * | $\phi_{W/2}$ |

Medium speed on flag

| | |
|---|---|
| 0 | <ul style="list-style-type: none"> Operates in active (high-speed) mode after exit from standby, watch, or sleep mode Operates in sleep (high-speed) mode if a SLEEP instruction is executed in active mode |
| 1 | <ul style="list-style-type: none"> Operates in active (medium-speed) mode after exit from standby, watch, or sleep mode Operates in sleep (medium-speed) mode if a SLEEP instruction is executed in active mode |

Direct transfer on flag

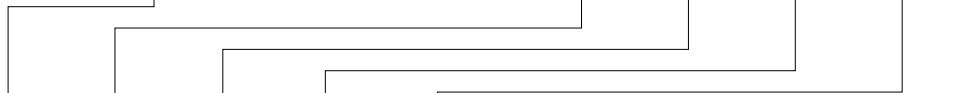
| | |
|---|---|
| 0 | <ul style="list-style-type: none"> When a SLEEP instruction is executed in active mode, a transition is made to standby mode, watch mode, or sleep mode When a SLEEP instruction is executed in subactive mode, a transition is made to watch mode or subsleep mode |
| 1 | <ul style="list-style-type: none"> When a SLEEP instruction is executed in active (high-speed) mode, a direct transition is made to active (medium-speed) mode if SSBY = 0, MSON = 1, and LSON = 0, or to subactive mode if SSBY = 1, TMA3 = 1, and LSON = 1 When a SLEEP instruction is executed in active (medium-speed) mode, a direct transition is made to active (high-speed) mode if SSBY = 0, MSON = 0, and LSON = 0, or to subactive mode if SSBY = 1, TMA3 = 1, and LSON = 1 When a SLEEP instruction is executed in subactive mode, a direct transition is made to active (high-speed) mode if SSBY = 1, TMA3 = 1, LSON = 0, and MSON = 0, or to active (medium-speed) mode if SSBY = 1, TMA3 = 1, LSON = 0, and MSON = 1 |

Noise elimination sampling frequency select

| | |
|---|----------------------------------|
| 0 | Sampling rate is $\phi_{OSC}/16$ |
| 1 | Sampling rate is $\phi_{OSC}/4$ |

Note: * Don't care

| Bit | 7 | 6 | 5 | 4 | 3 | 2 | 1 | 0 |
|---------------|-------|---|---|---|------|------|------|------|
| | NMIEG | — | — | — | IEG3 | IEG2 | IEG1 | IEG0 |
| Initial value | 0 | 1 | 1 | 1 | 0 | 0 | 0 | 0 |
| Read/Write | R/W | — | — | — | R/W | R/W | R/W | R/W |

**IRQ₀ edge select**

| | |
|---|---|
| 0 | Falling edge of $\overline{\text{IRQ}}_0$ pin input is detected |
| 1 | Rising edge of $\overline{\text{IRQ}}_0$ pin input is detected |

IRQ₁ edge select

| | |
|---|---|
| 0 | Falling edge of $\overline{\text{IRQ}}_1$ pin input is detected |
| 1 | Rising edge of $\overline{\text{IRQ}}_1$ pin input is detected |

IRQ₂ edge select

| | |
|---|---|
| 0 | Falling edge of $\overline{\text{IRQ}}_2$ pin input is detected |
| 1 | Rising edge of $\overline{\text{IRQ}}_2$ pin input is detected |

IRQ₃ edge select

| | |
|---|---|
| 0 | Falling edge of $\overline{\text{IRQ}}_3$ pin input is detected |
| 1 | Rising edge of $\overline{\text{IRQ}}_3$ pin input is detected |

NMI edge select

| | |
|---|---|
| 0 | Falling edge of NMI pin input is detected |
| 1 | Rising edge of NMI pin input is detected |

| | | | | | | | | |
|---------------|--------|--------|--------|--------|--------|--------|--------|--------|
| Bit | 7 | 6 | 5 | 4 | 3 | 2 | 1 | 0 |
| | INTEG7 | INTEG6 | INTEG5 | INTEG4 | INTEG3 | INTEG2 | INTEG1 | INTEG0 |
| Initial value | 0 | 0 | 0 | 0 | 0 | 0 | 0 | 0 |
| Read/Write | R/W | R/W | R/W | R/W | R/W | R/W | R/W | R/W |

INT₅ to INT₀ edge select

| | |
|---|--|
| 0 | Falling edge of \overline{INT}_n pin input is detected |
| 1 | Rising edge of \overline{INT}_n pin input is detected |

(n = 5 to 0)

INT₆ edge select

| | |
|---|---|
| 0 | Falling edge of \overline{INT}_6 and TMIB pin input is detected |
| 1 | Rising edge of \overline{INT}_6 and TMIB pin input is detected |

INT₇ edge select

| | |
|---|---|
| 0 | Falling edge of \overline{INT}_7 and TMIY pin input is detected |
| 1 | Rising edge of \overline{INT}_7 and TMIY pin input is detected |

| Bit | 7 | 6 | 5 | 4 | 3 | 2 | 1 | 0 |
|---------------|-------|-------|-------|---|------|------|------|------|
| | IENB1 | IENTA | IENTY | — | IEN3 | IEN2 | IEN1 | IEN0 |
| Initial value | 0 | 0 | 0 | 1 | 0 | 0 | 0 | 0 |
| Read/Write | R/W | R/W | R/W | — | R/W | R/W | R/W | R/W |

IRQ₃ to IRQ₀ interrupt enable

| | |
|---|--|
| 0 | Disables IRQ ₃ to IRQ ₀ interrupt requests |
| 1 | Enables IRQ ₃ to IRQ ₀ interrupt requests |

Timer Y interrupt enable

| | |
|---|-------------------------------------|
| 0 | Disables timer Y interrupt requests |
| 1 | Enables timer Y interrupt requests |

Timer A interrupt enable

| | |
|---|-------------------------------------|
| 0 | Disables timer A interrupt requests |
| 1 | Enables timer A interrupt requests |

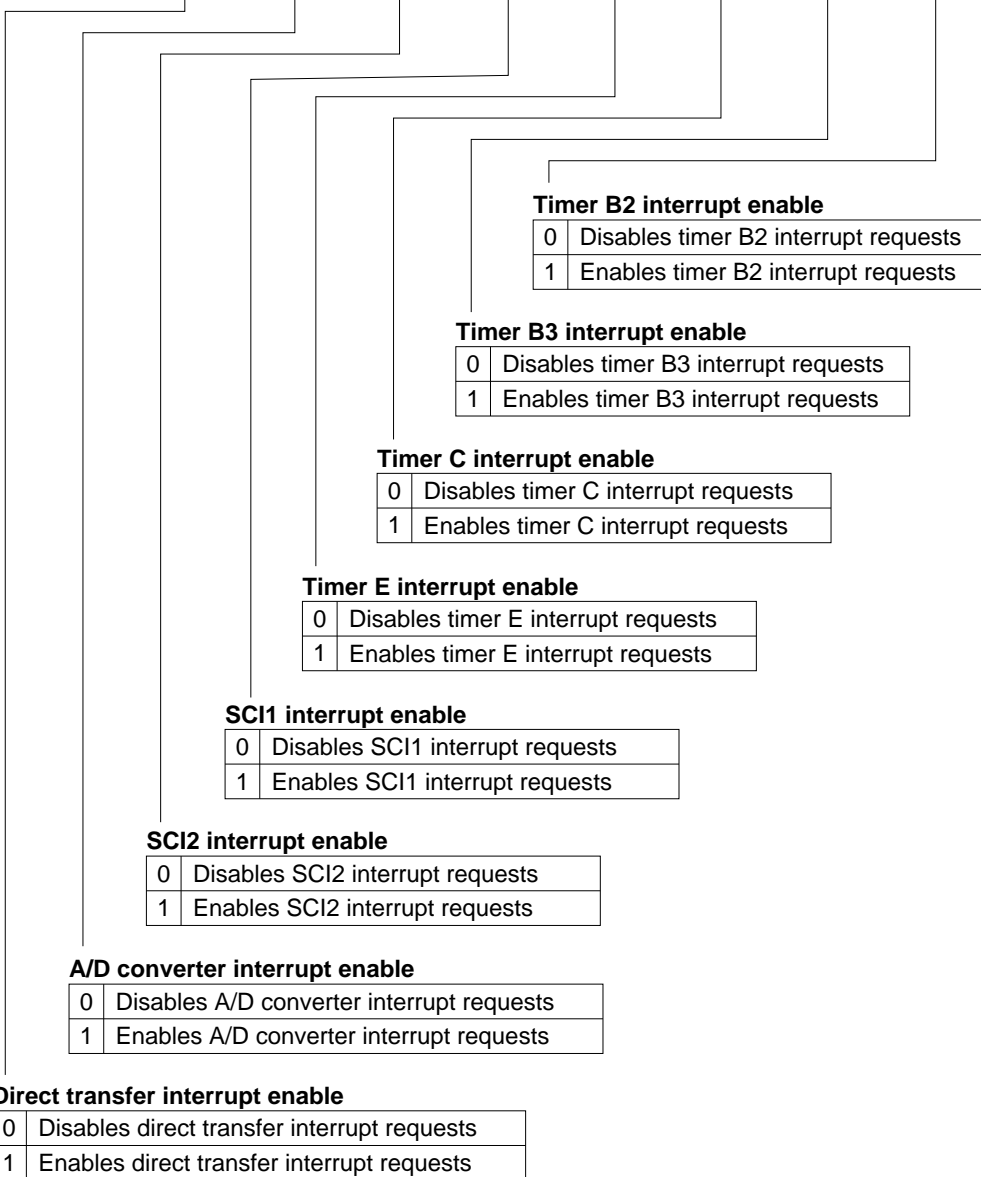
Timer B1 interrupt enable

| | |
|---|--------------------------------------|
| 0 | Disables timer B1 interrupt requests |
| 1 | Enables timer B1 interrupt requests |

| | | | | | | | | |
|-----|-------|-------|-------|-------|-------|-------|-------|-------|
| Bit | 7 | 6 | 5 | 4 | 3 | 2 | 1 | 0 |
| | IENDT | IENAD | IENS2 | IENS1 | IENTE | IENTC | IENB3 | IENB2 |

Initial value 0 0 0 0 0 0 0 0 0

Read/Write R/W R/W R/W R/W R/W R/W R/W R/W



| Bit | 7 | 6 | 5 | 4 | 3 | 2 | 1 | 0 |
|---------------|--------|--------|--------|--------|--------|--------|--------|--------|
| | INTEN7 | INTEN6 | INTEN5 | INTEN4 | INTEN3 | INTEN2 | INTEN1 | INTEN0 |
| Initial value | 0 | 0 | 0 | 0 | 0 | 0 | 0 | 0 |
| Read/Write | R/W | R/W | R/W | R/W | R/W | R/W | R/W | R/W |

INT₇ to INT₀ interrupt enable

| | |
|---|--|
| 0 | Disables INT ₇ to INT ₀ interrupt requests |
| 1 | Enables INT ₇ to INT ₀ interrupt requests |

| | | | | | | | | |
|---------------|--------|-------|-------|---|-------|-------|-------|-------|
| Bit | 7 | 6 | 5 | 4 | 3 | 2 | 1 | 0 |
| | IRRTB1 | IRRTA | IRRTY | — | IRRI3 | IRRI2 | IRRI1 | IRRI0 |
| Initial value | 0 | 0 | 0 | 1 | 0 | 0 | 0 | 0 |
| Read/Write | R/W* | R/W* | R/W* | — | R/W* | R/W* | R/W* | R/W* |

IRQ₃ to IRQ₀ interrupt request flag

| | |
|---|---|
| 0 | [Clearing condition] When IRRIn = 1, it is cleared by writing 0 |
| 1 | [Setting condition] When pin IRQ _n is set for interrupt input and the designated signal edge is input |

(n = 3 to 0)

Timer Y interrupt request flag

| | |
|---|---|
| 0 | [Clearing condition] When IRRTY = 1, it is cleared by writing 0 |
| 1 | [Setting condition] When timer counter Y overflows from H'FFFF to H'0000 |

Timer A interrupt request flag

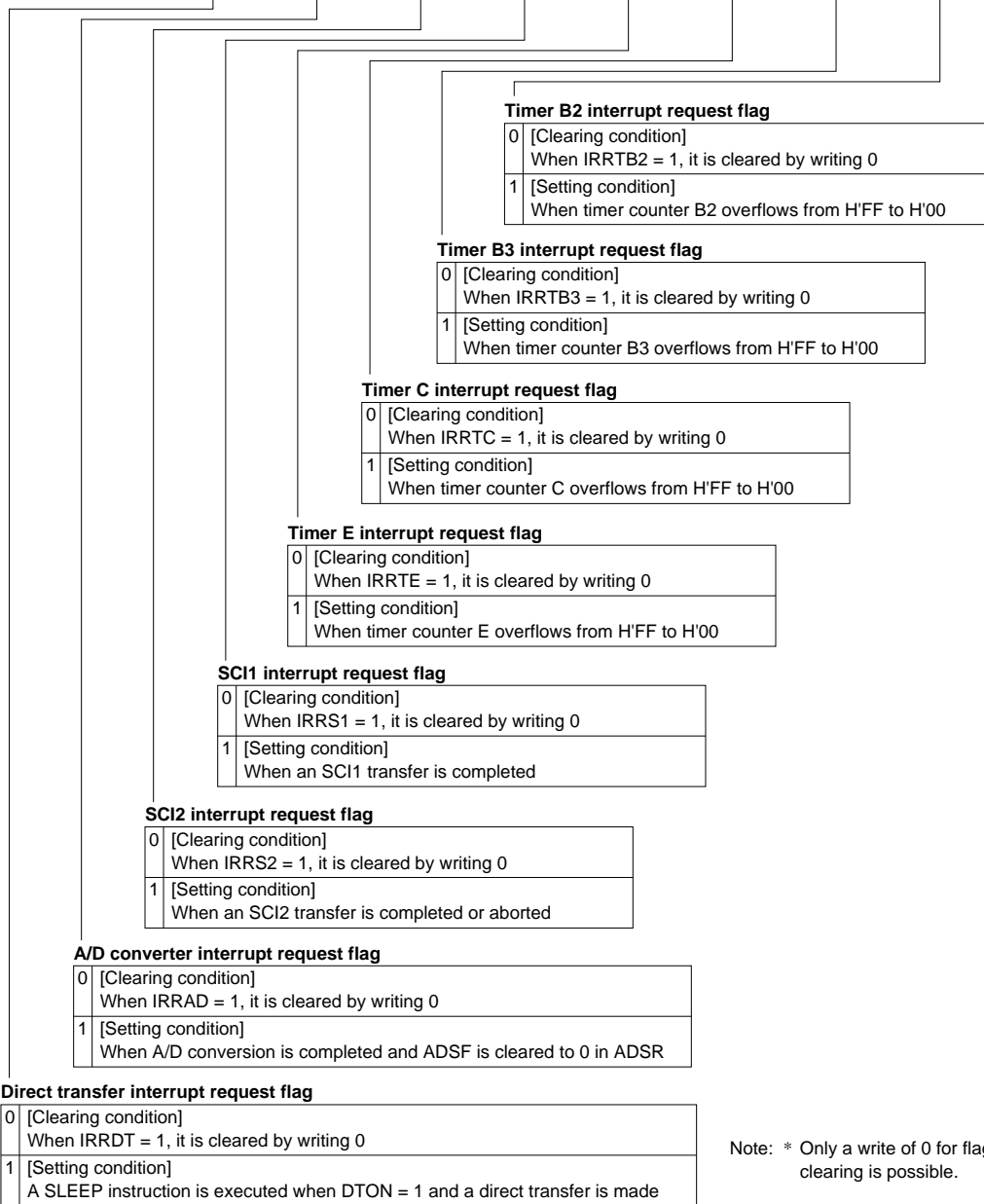
| | |
|---|---|
| 0 | [Clearing condition] When IRRTA = 1, it is cleared by writing 0 |
| 1 | [Setting condition] When timer counter A overflows from H'FF to H'00 |

Timer B1 interrupt request flag

| | |
|---|--|
| 0 | [Clearing condition] When IRRTB1 = 1, it is cleared by writing 0 |
| 1 | [Setting condition] When timer counter B1 overflows from H'FF to H'00 |

Note: * Only a write of 0 for flag clearing is possible.

| | | | | | | | | |
|---------------|-------|-------|-------|-------|-------|-------|--------|--------|
| Bit | 7 | 6 | 5 | 4 | 3 | 2 | 1 | 0 |
| | IRRDT | IRRAD | IRRS2 | IRRS1 | IRRTE | IRRTC | IRRTB3 | IRRTB2 |
| Initial value | 0 | 0 | 0 | 0 | 0 | 0 | 0 | 0 |
| Read/Write | R/W* | R/W* | R/W* | R/W* | R/W* | R/W* | R/W* | R/W* |



Note: * Only a write of 0 for flag clearing is possible.

| Bit | 7 | 6 | 5 | 4 | 3 | 2 | 1 | 0 |
|---------------|-------|-------|-------|-------|-------|-------|-------|-------|
| | INTF7 | INTF6 | INTF5 | INTF4 | INTF3 | INTF2 | INTF1 | INTF0 |
| Initial value | 0 | 0 | 0 | 0 | 0 | 0 | 0 | 0 |
| Read/Write | R/W* | R/W* | R/W* | R/W | R/W* | R/W* | R/W* | R/W* |

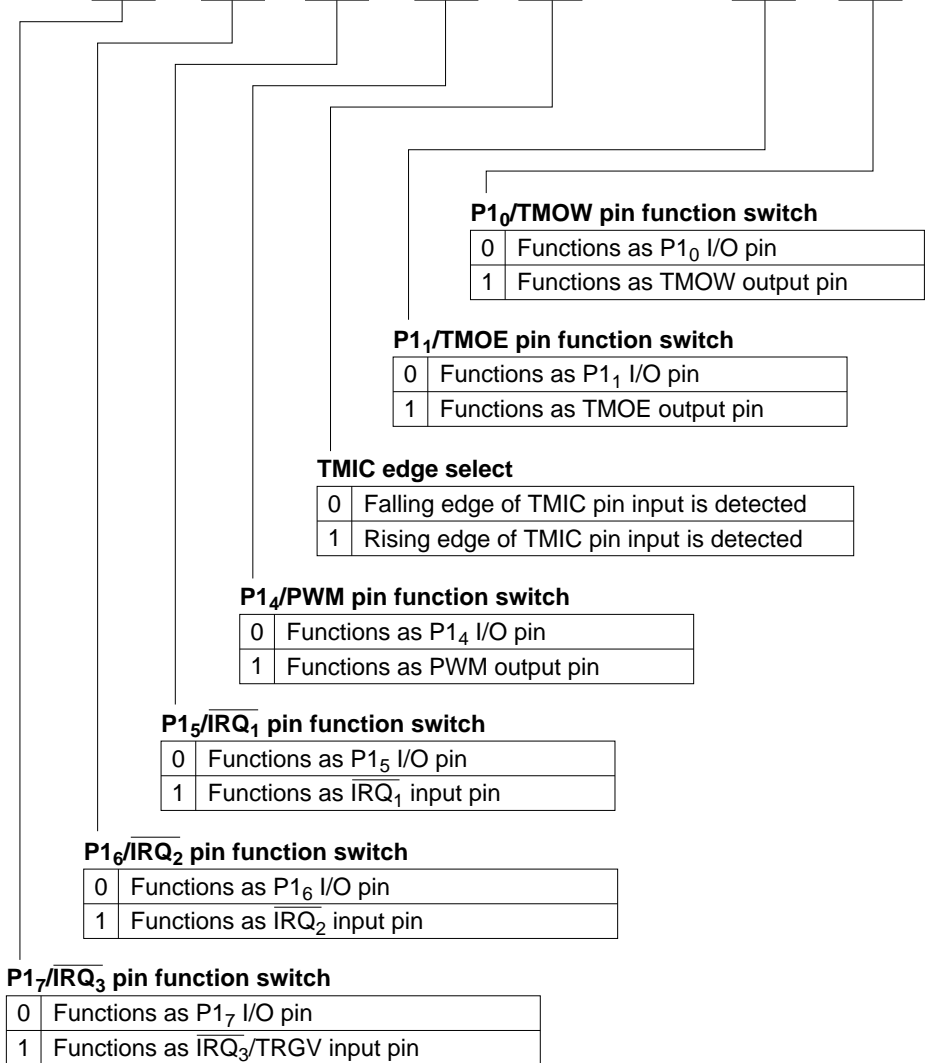
INT₇ to INT₀ interrupt request flag

| | |
|---|--|
| 0 | [Clearing condition] When $\overline{\text{INTF}}_n = 1$, it is cleared by writing 0 |
| 1 | [Setting condition] When the designated signal edge is input at pin $\overline{\text{INT}}_n$ |

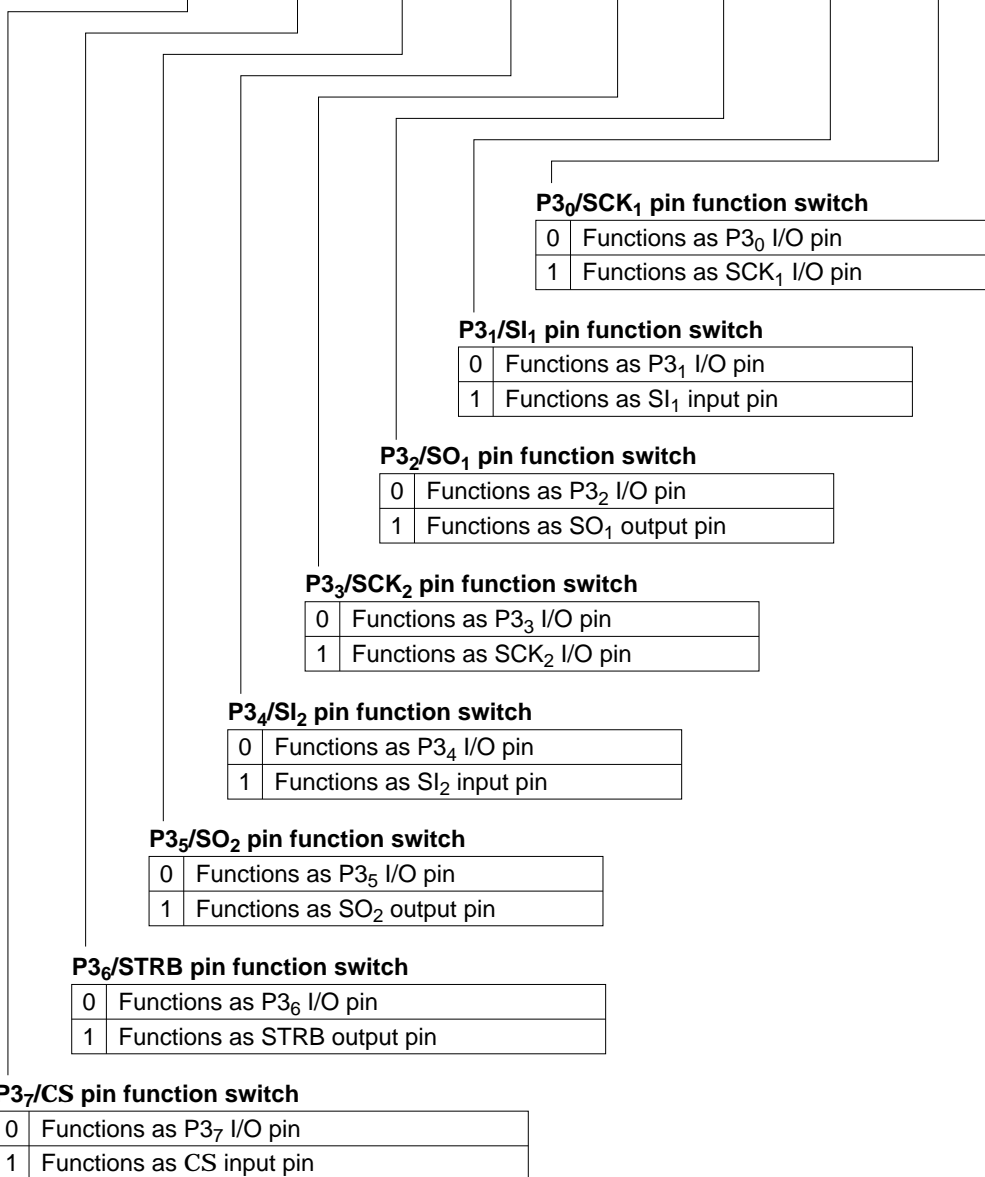
(n = 7 to 0)

Note: * Only a write of 0 for flag clearing is possible.

| Bit | 7 | 6 | 5 | 4 | 3 | 2 | 1 | 0 |
|---------------|------|------|------|-----|--------|---|------|------|
| | IRQ3 | IRQ2 | IRQ1 | PWM | TCICEG | — | TMOE | TMOW |
| Initial value | 0 | 0 | 0 | 0 | 0 | 1 | 0 | 0 |
| Read/Write | R/W | R/W | R/W | R/W | R/W | — | R/W | R/W |



| Bit | 7 | 6 | 5 | 4 | 3 | 2 | 1 | 0 |
|---------------|-----|------|-----|-----|------|-----|-----|------|
| | CS | STRB | SO2 | SI2 | SCK2 | SO1 | SI1 | SCK1 |
| Initial value | 0 | 0 | 0 | 0 | 0 | 0 | 0 | 0 |
| Read/Write | R/W | R/W | R/W | R/W | R/W | R/W | R/W | R/W |



RTER—Realtime enable register**H'FFFE****I/O ports**

| Bit | 7 | 6 | 5 | 4 | 3 | 2 | 1 | 0 |
|---------------|-------------------|-------------------|-------------------|-------------------|-------------------|-------------------|-------------------|-------------------|
| | RTER ₇ | RTER ₆ | RTER ₅ | RTER ₄ | RTER ₃ | RTER ₂ | RTER ₁ | RTER ₀ |
| Initial value | 0 | 0 | 0 | 0 | 0 | 0 | 0 | 0 |
| Read/Write | R/W | R/W | R/W | R/W | R/W | R/W | R/W | R/W |

P_{6_n}/RP_n pin function switch

| | |
|---|---|
| 0 | Functions as P _{6_n} I/O pin |
| 1 | Functions as RP _n output pin |

(n = 7 to 0)

PMR7—Port mode register 7**H'FFFF****I/O ports**

| Bit | 7 | 6 | 5 | 4 | 3 | 2 | 1 | 0 |
|---------------|---|---|---|---|---|---|------|------|
| | — | — | — | — | — | — | ROF2 | ROF1 |
| Initial value | 1 | 1 | 1 | 1 | 1 | 1 | 0 | 0 |
| Read/Write | — | — | — | — | — | — | R/W | R/W |

P_{3₂}/SO₁ pin PMOS control

| | |
|---|------------------------|
| 0 | CMOS output |
| 1 | NMOS open-drain output |

P_{3₅}/SO₂ pin PMOS control

| | |
|---|------------------------|
| 0 | CMOS output |
| 1 | NMOS open-drain output |

Appendix C I/O Port Block Diagrams

C.1 Block Diagrams of Port 1

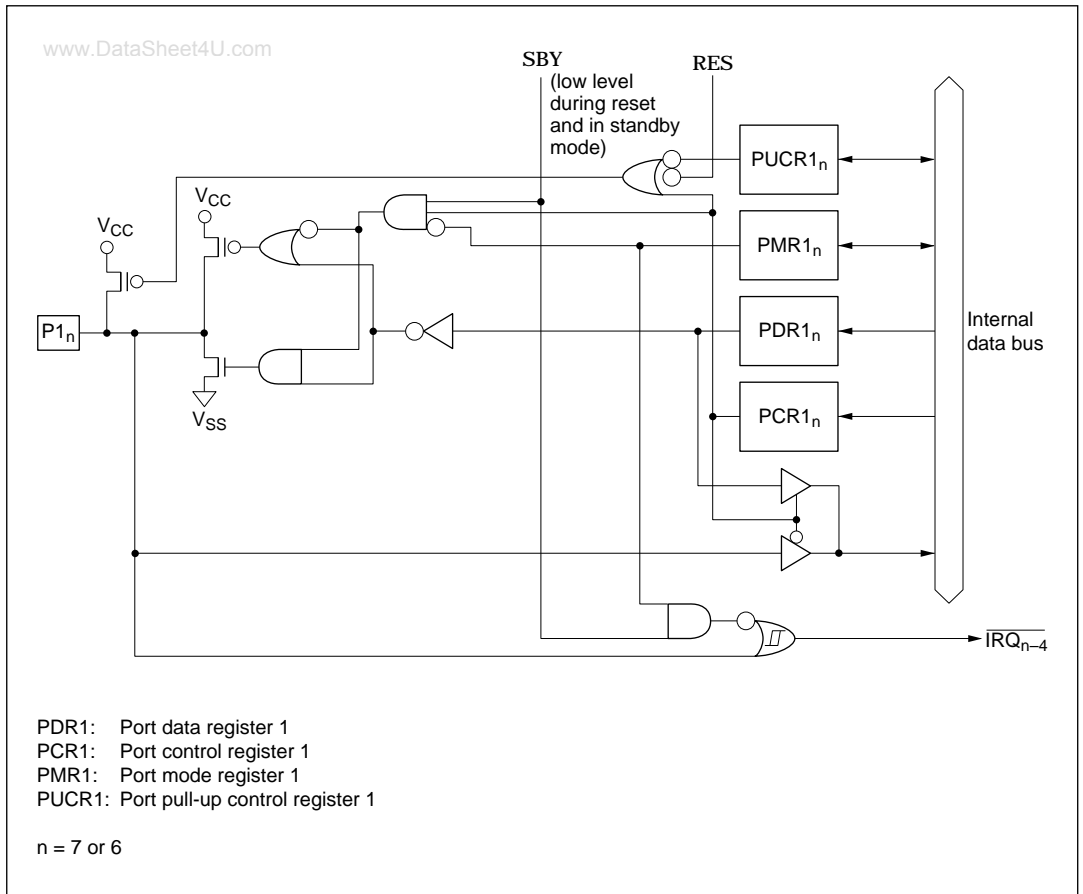


Figure C-1 (a) Port 1 Block Diagram (Pins $P1_7$ and $P1_6$)

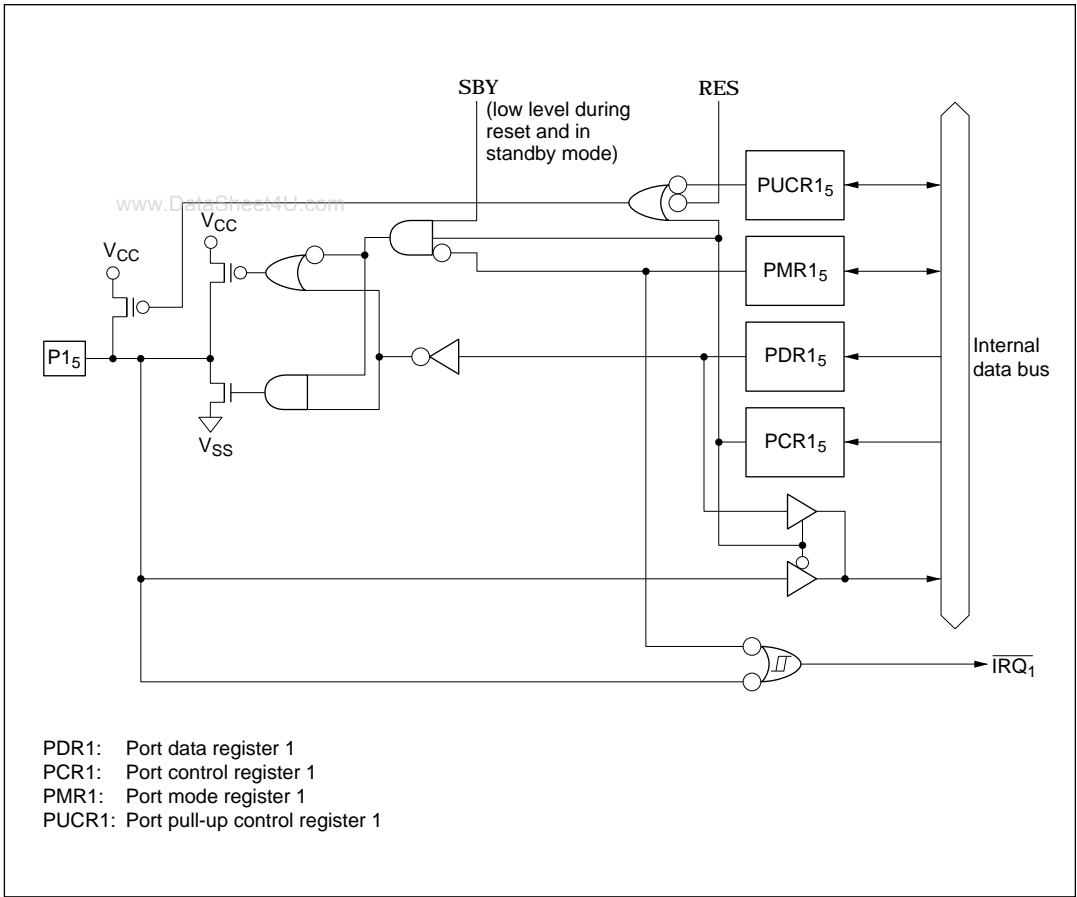


Figure C-1 (b) Port 1 Block Diagram (Pin P1₅)

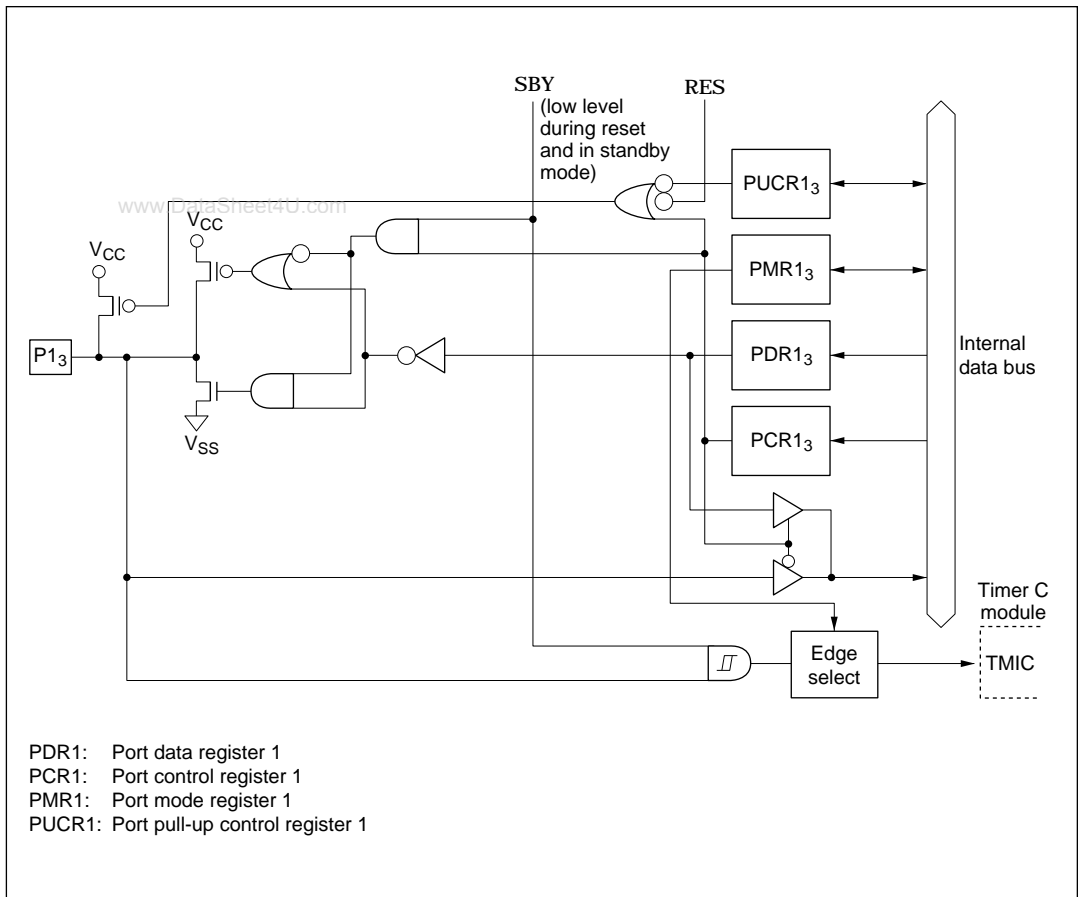


Figure C-1 (d) Port 1 Block Diagram (Pin P1₃)

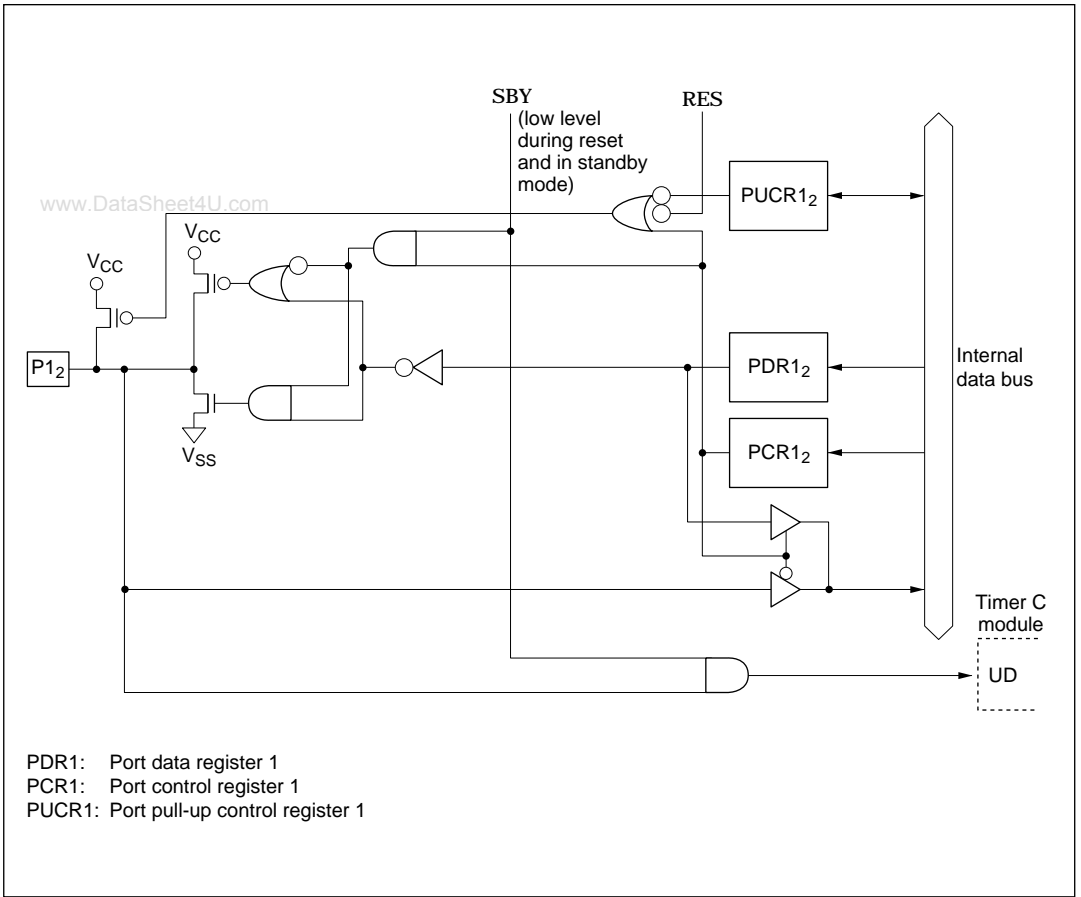


Figure C-1 (e) Port 1 Block Diagram (Pin P₁₂)

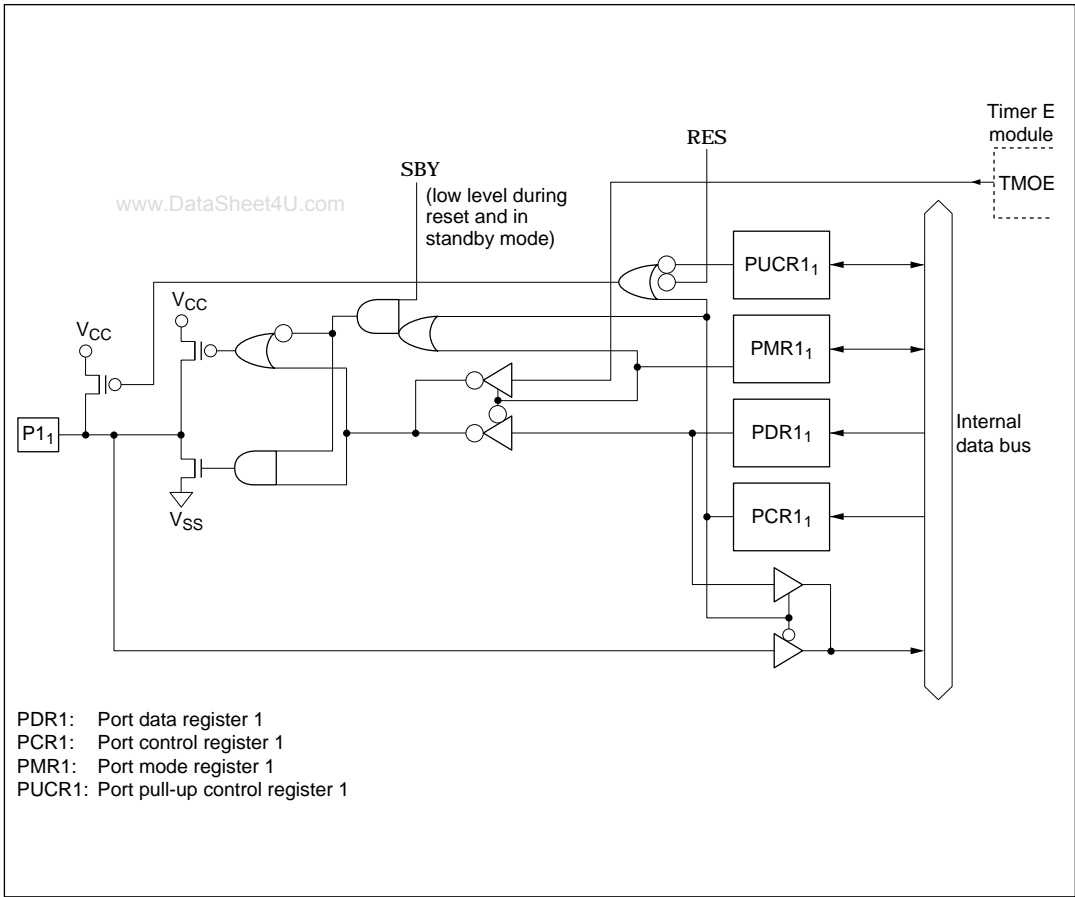


Figure C-1 (f) Port 1 Block Diagram (Pin P1₁)

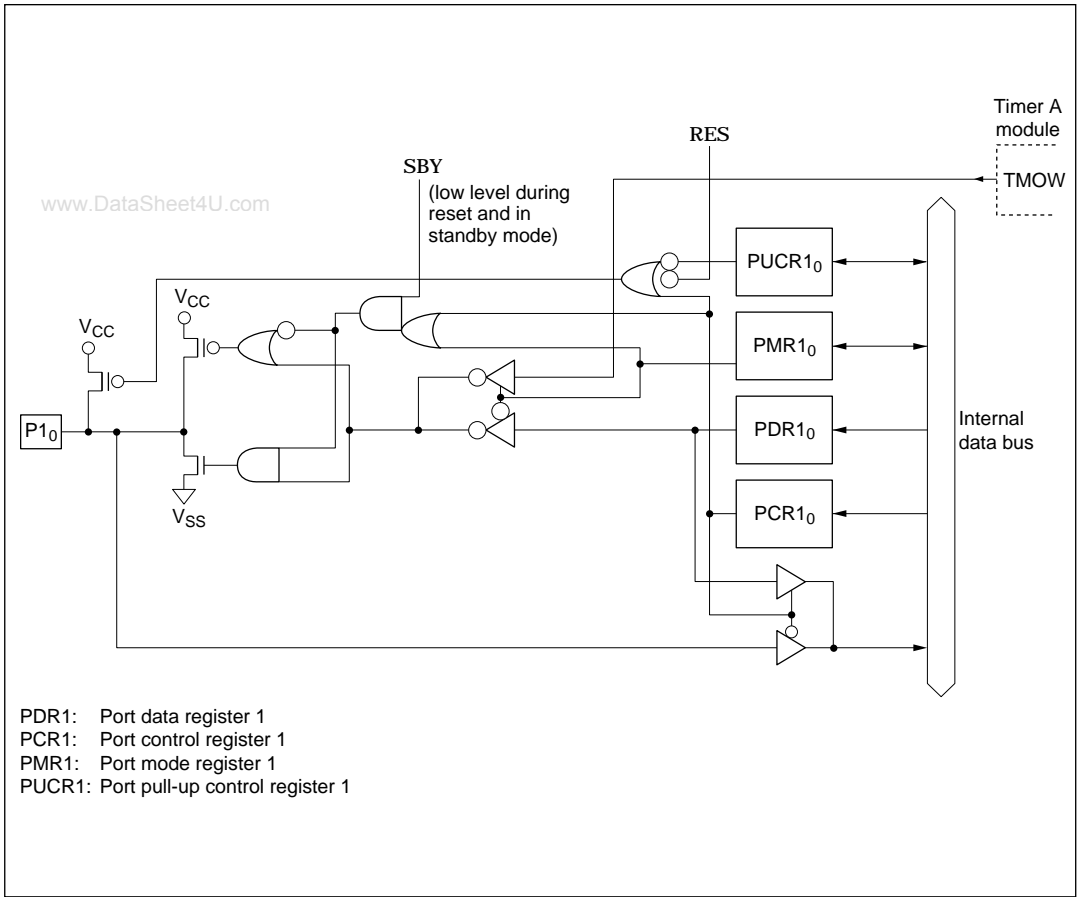


Figure C-1 (g) Port 1 Block Diagram (Pin P1₀)

C.2 Block Diagrams of Port 3

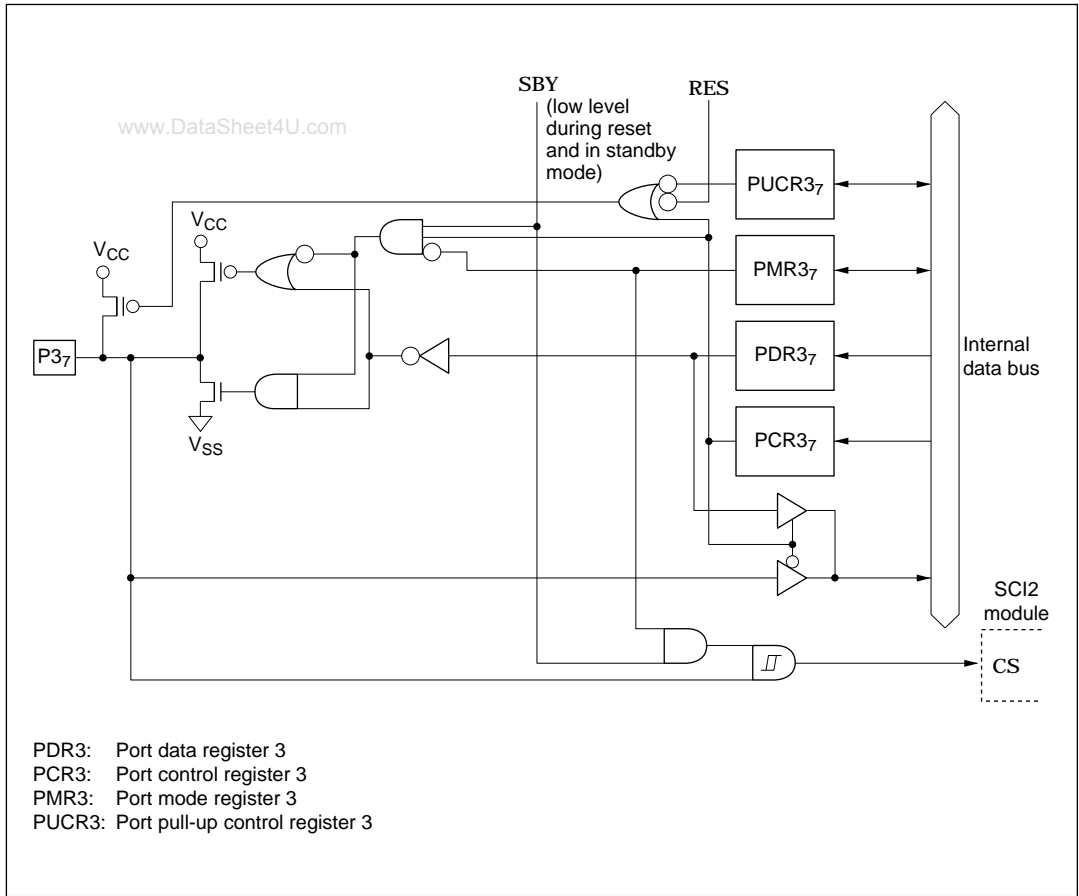


Figure C-2 (a) Port 3 Block Diagram (Pin P3₇)

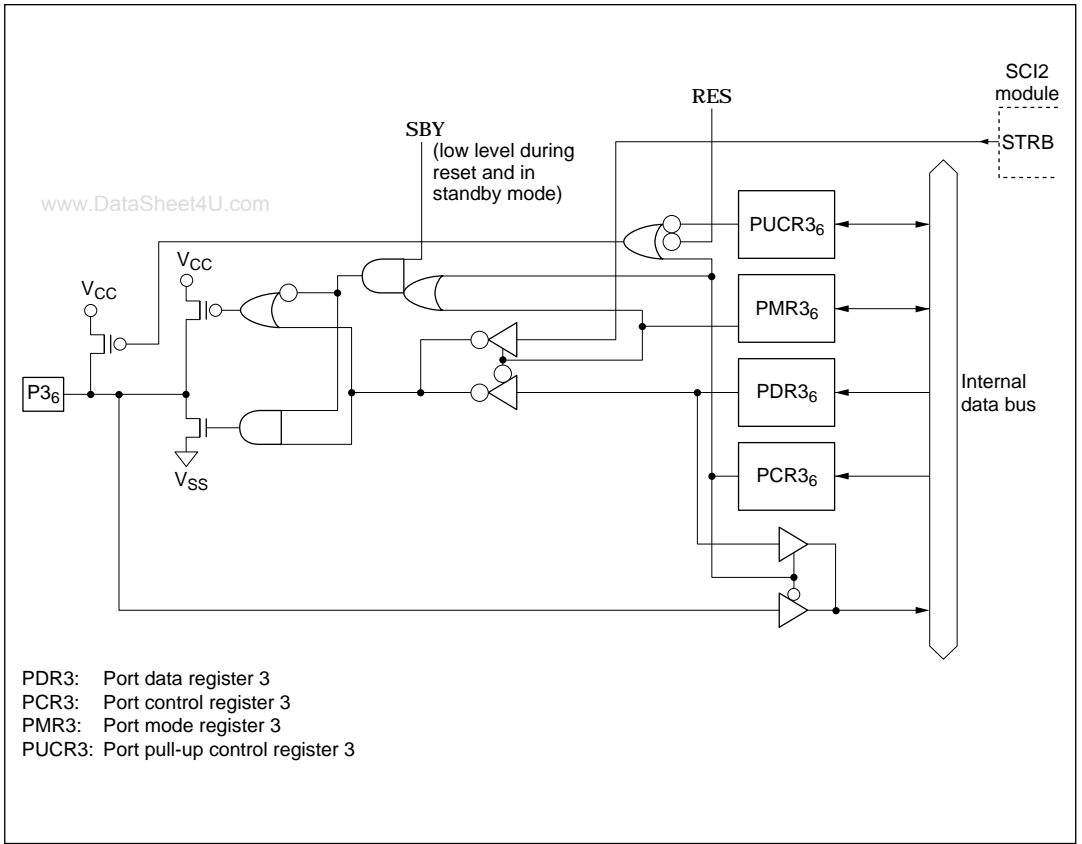


Figure C-2 (b) Port 3 Block Diagram (Pin P3₆)

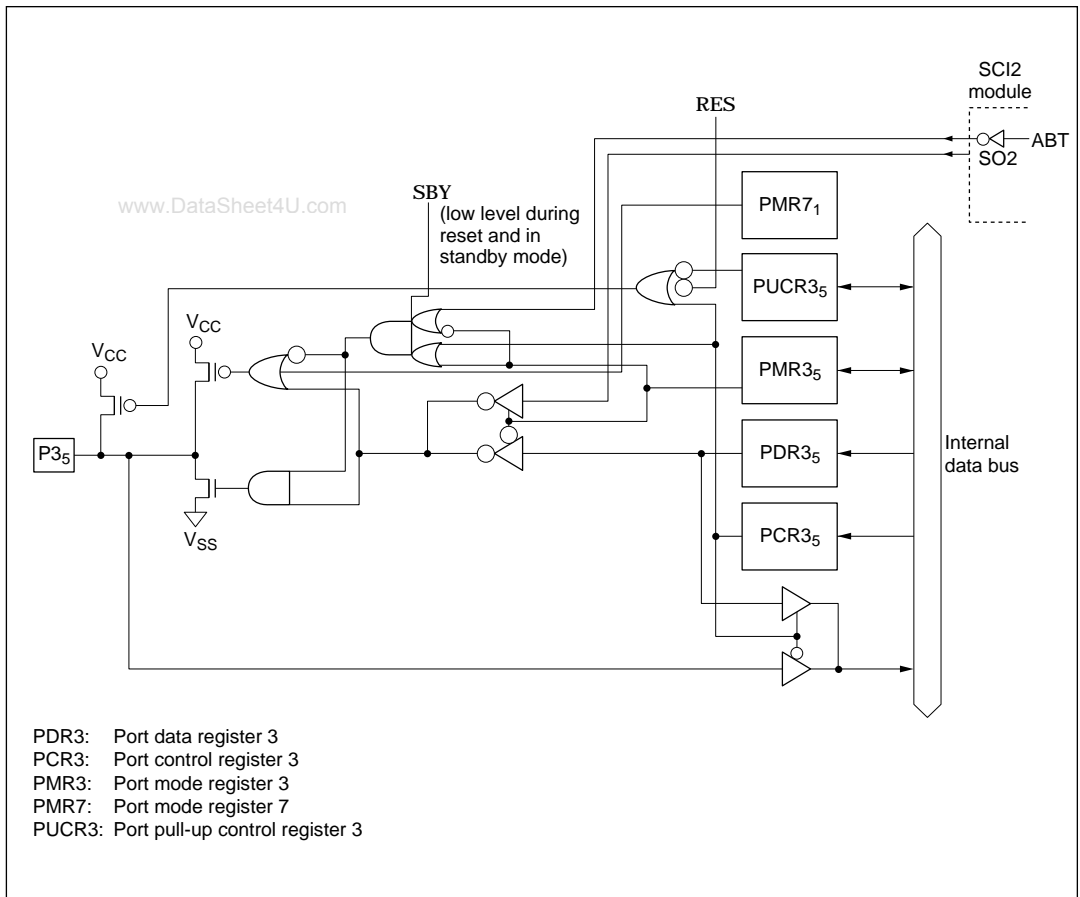


Figure C-2 (c) Port 3 Block Diagram (Pin P3₅)

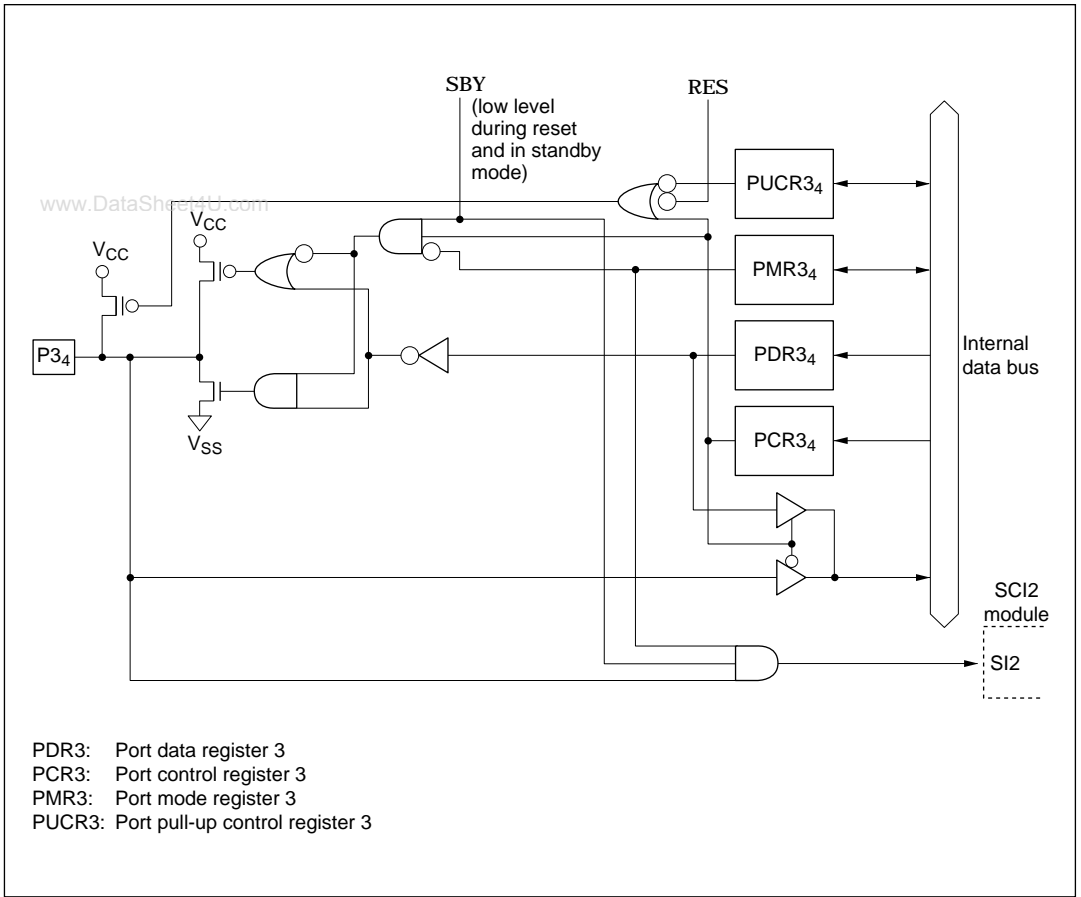


Figure C-2 (d) Port 3 Block Diagram (Pin P34)

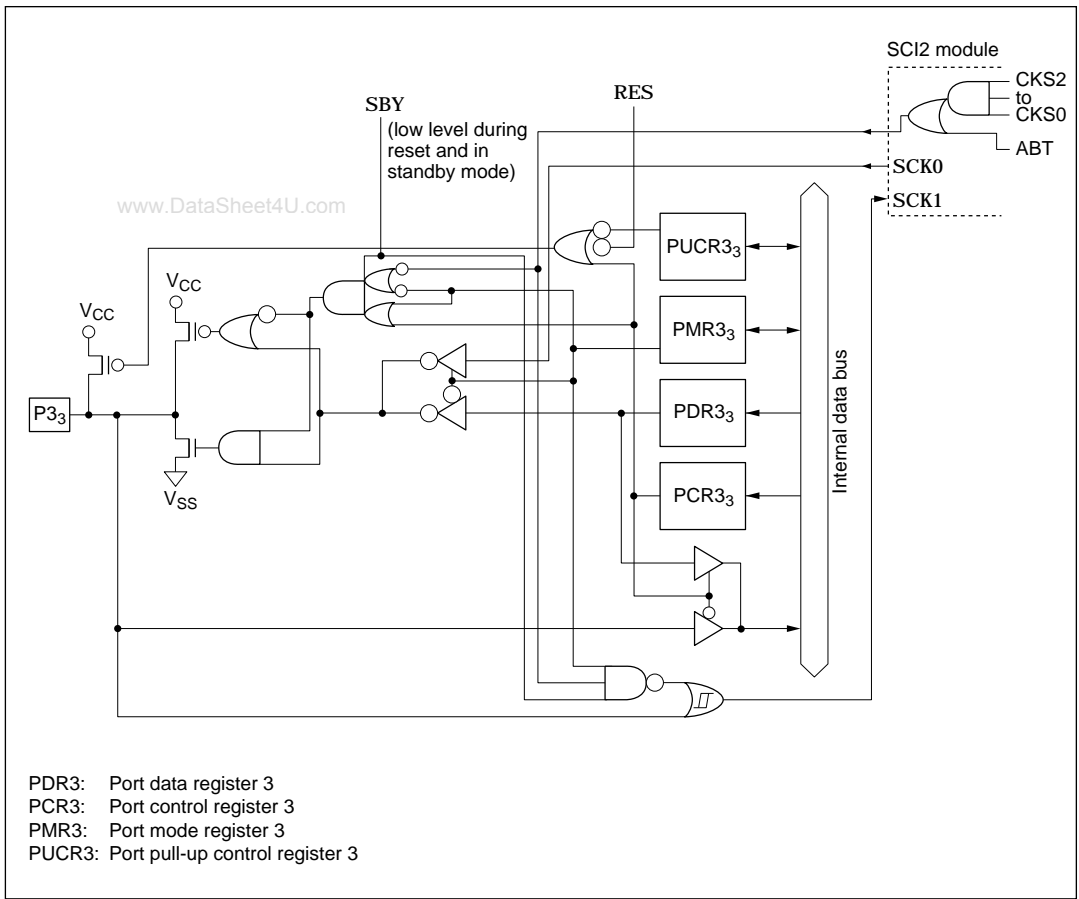


Figure C-2 (e) Port 3 Block Diagram (Pin P3₃)

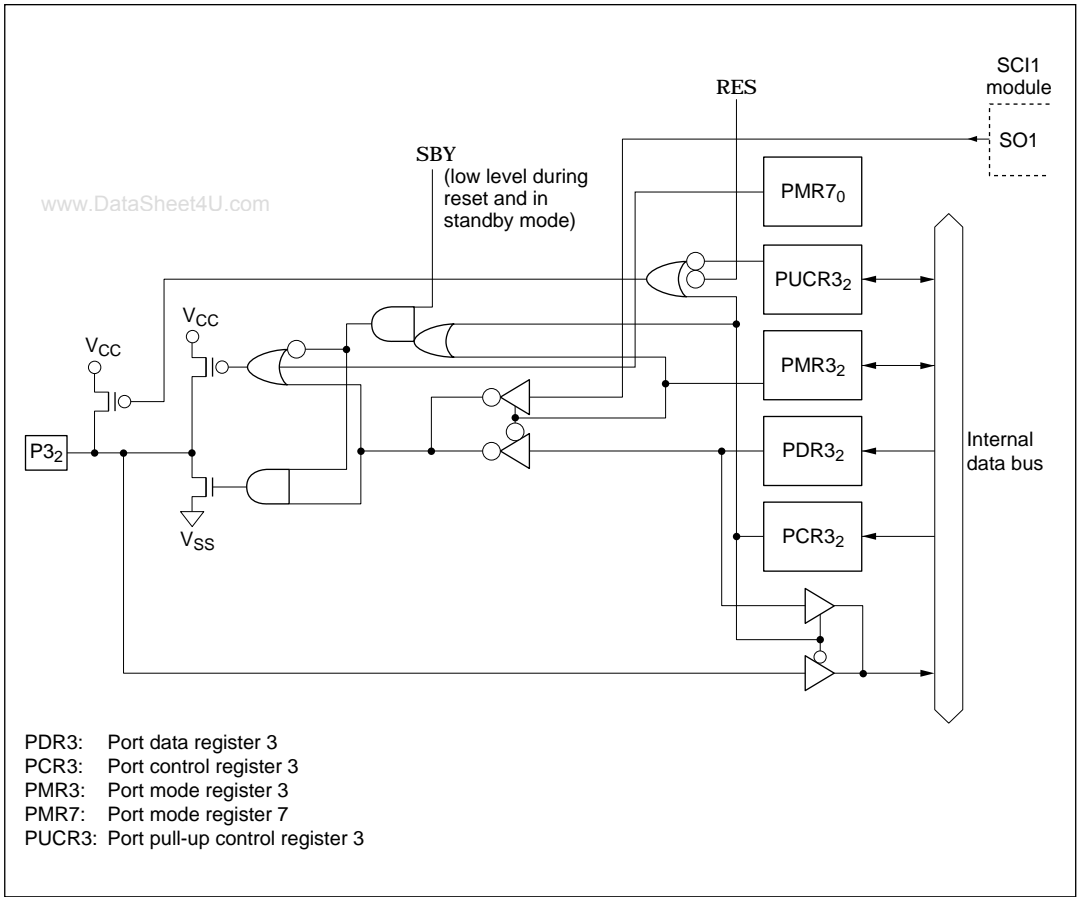


Figure C-2 (f) Port 3 Block Diagram (Pin P32)

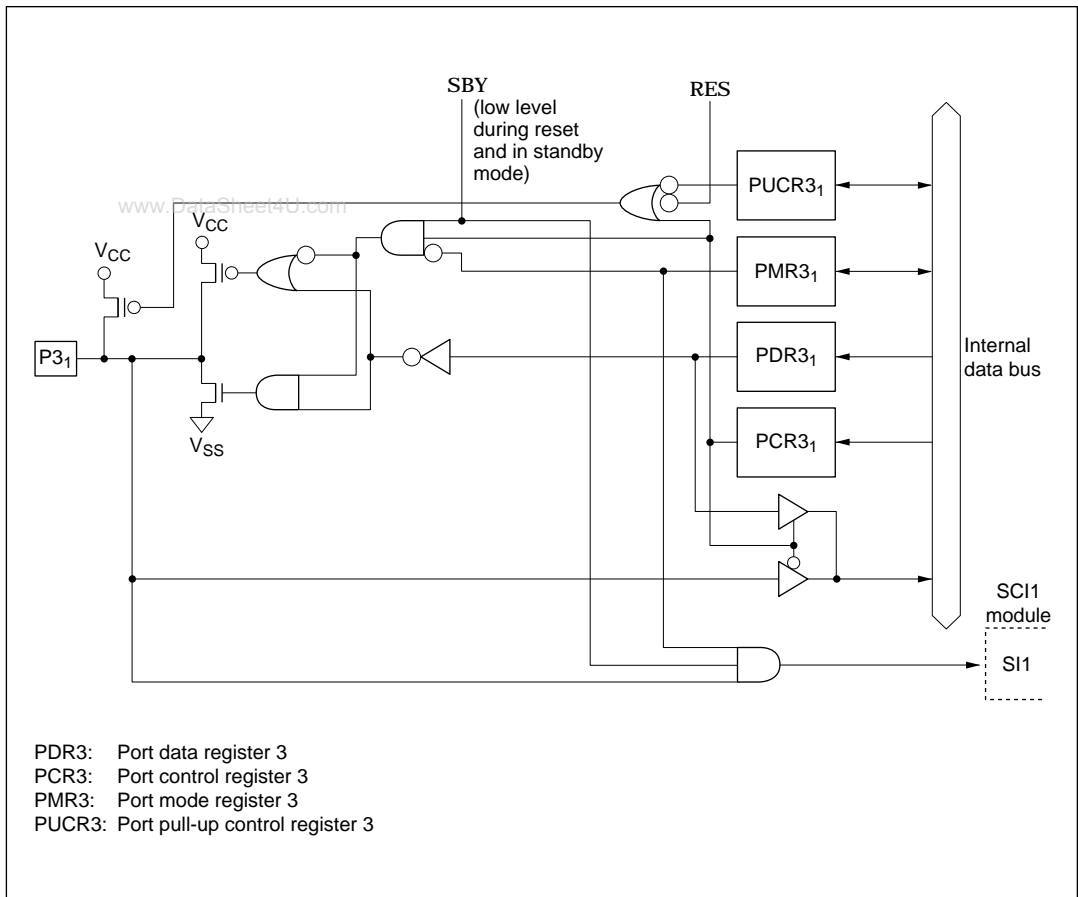


Figure C-2 (g) Port 3 Block Diagram (Pin P3₁)

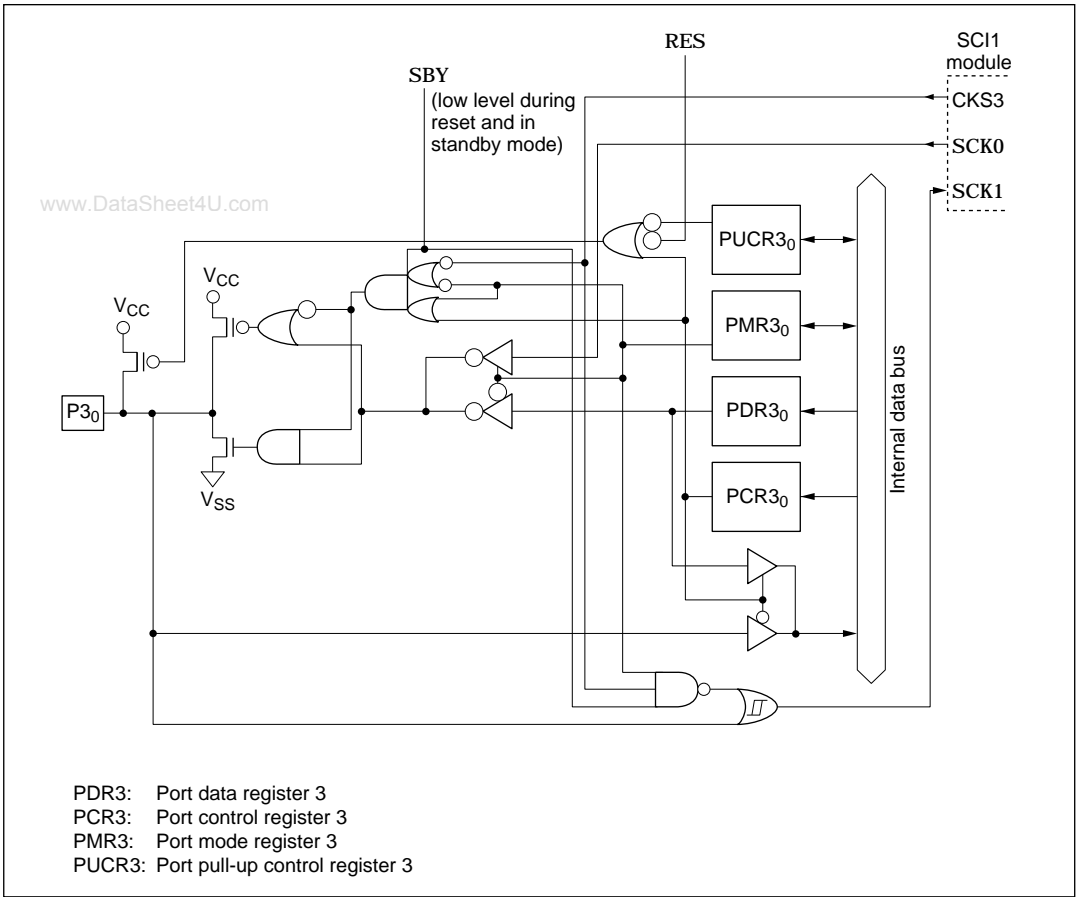


Figure C-2 (h) Port 3 Block Diagram (Pin P3₀)

C.3 Block Diagram of Port 4

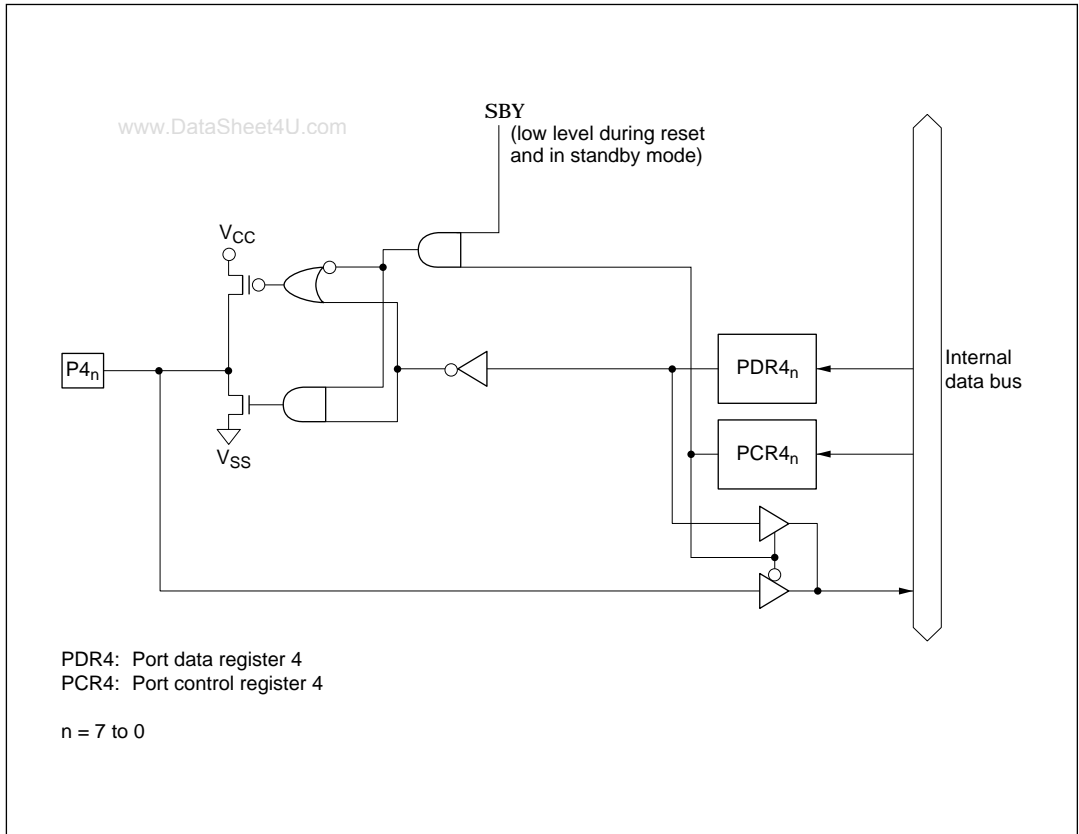


Figure C-3 Port 4 Block Diagram (Pins $P4_7$ to $P4_0$)

C.4 Block Diagrams of Port 5

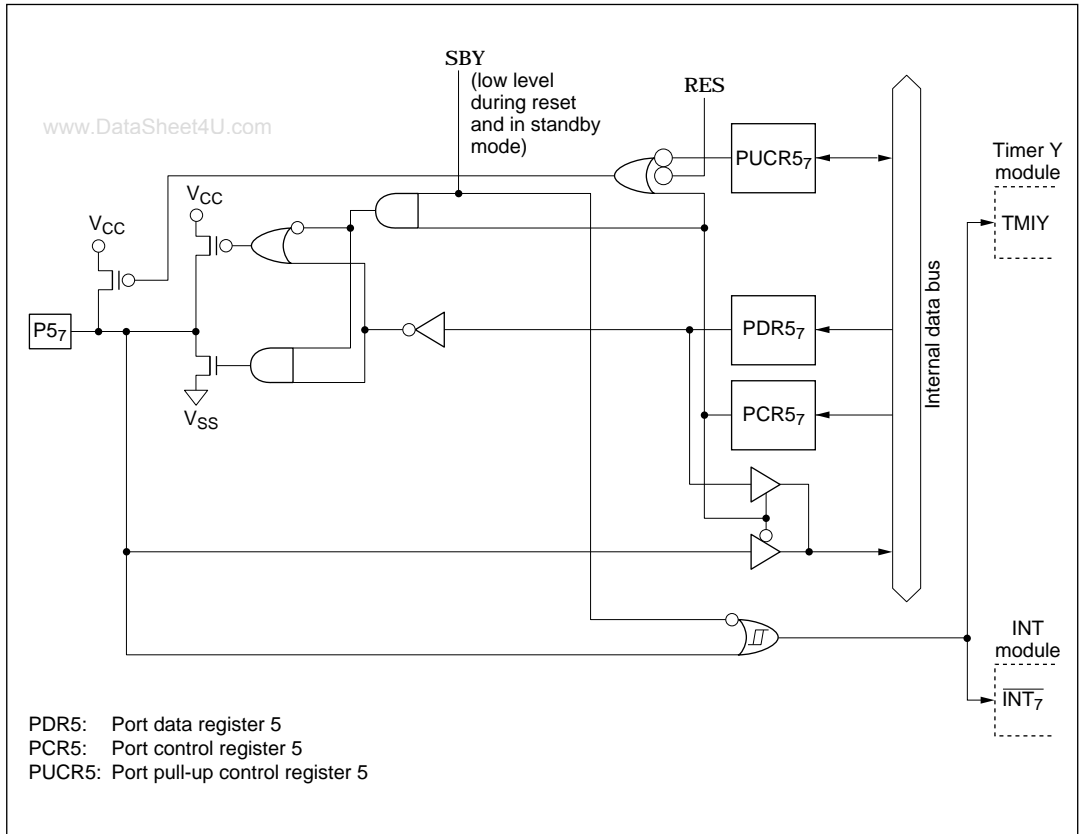


Figure C-4 (a) Port 5 Block Diagram (Pin P57)

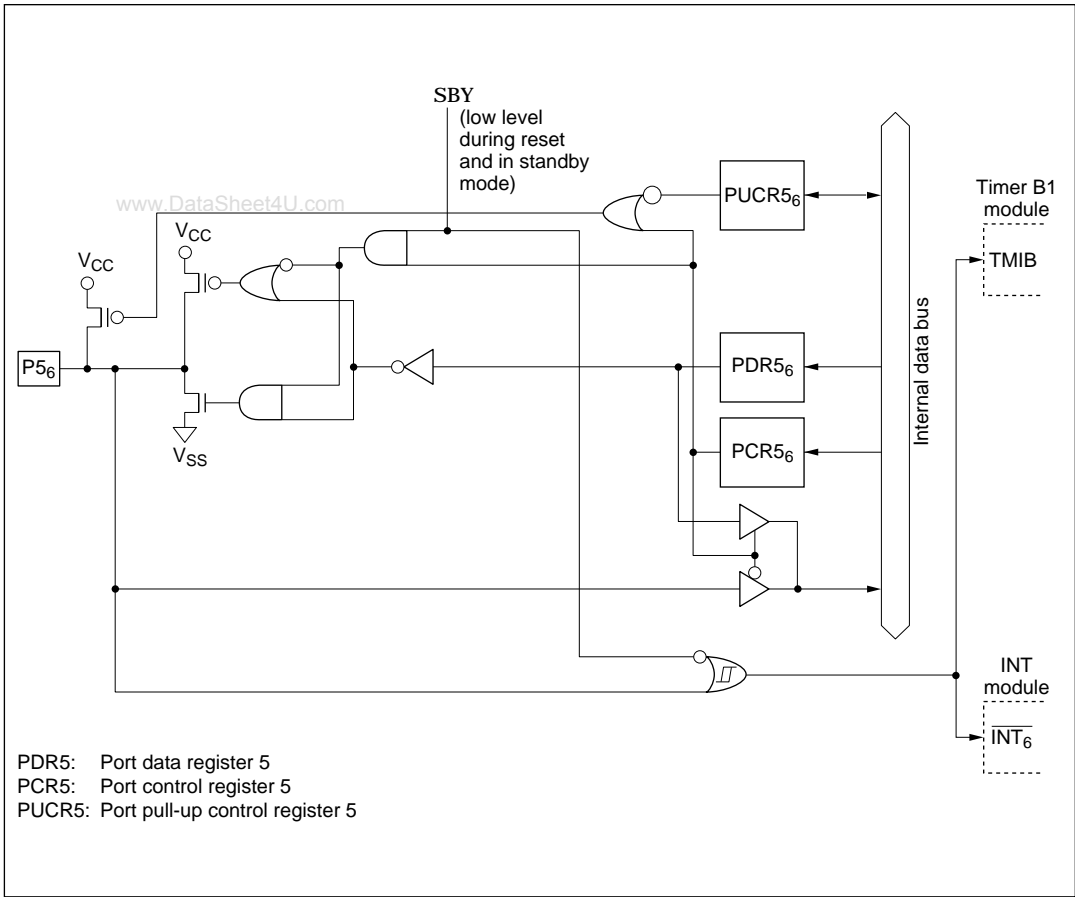


Figure C-4 (b) Port 5 Block Diagram (Pin P5₆)

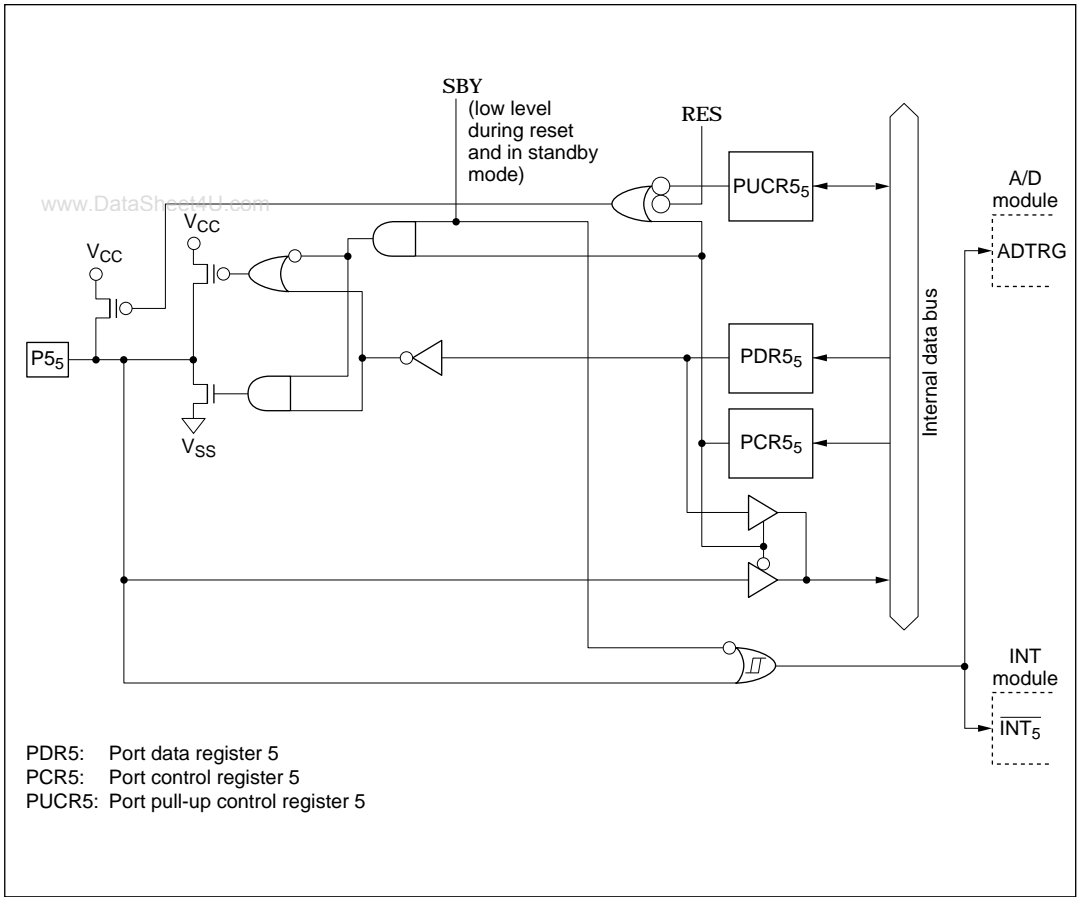


Figure C-4 (c) Port 5 Block Diagram (Pin P5₅)

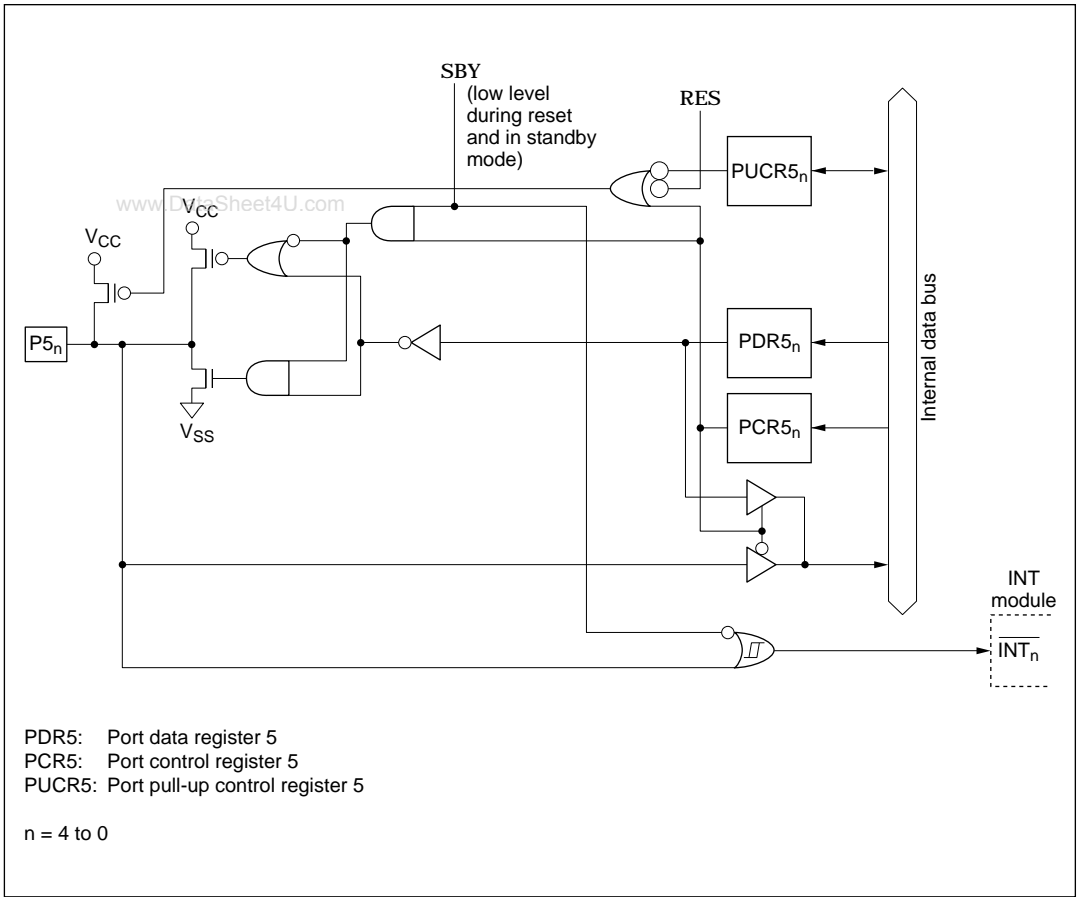


Figure C-4 (d) Port 5 Block Diagram (Pins P5₄ to P5₀)

C.5 Block Diagram of Port 6

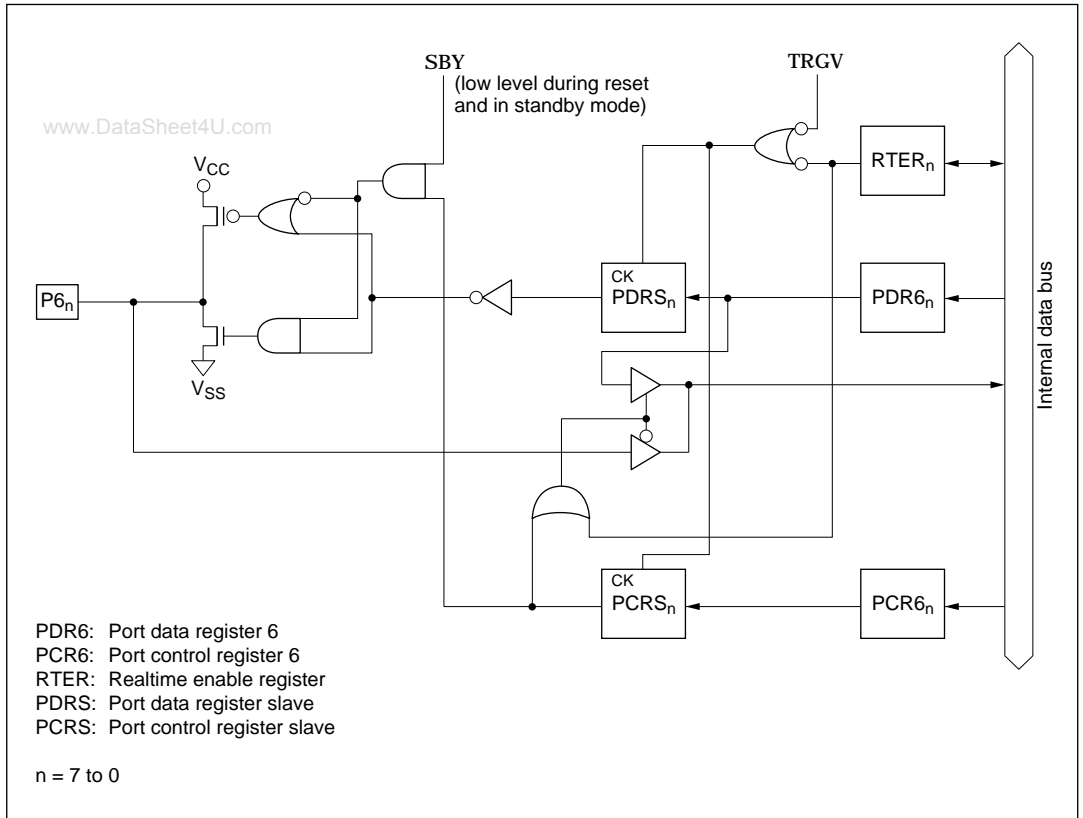


Figure C-5 Port 6 Block Diagram (Pins P6₇ to P6₀)

C.6 Block Diagrams of Port 7

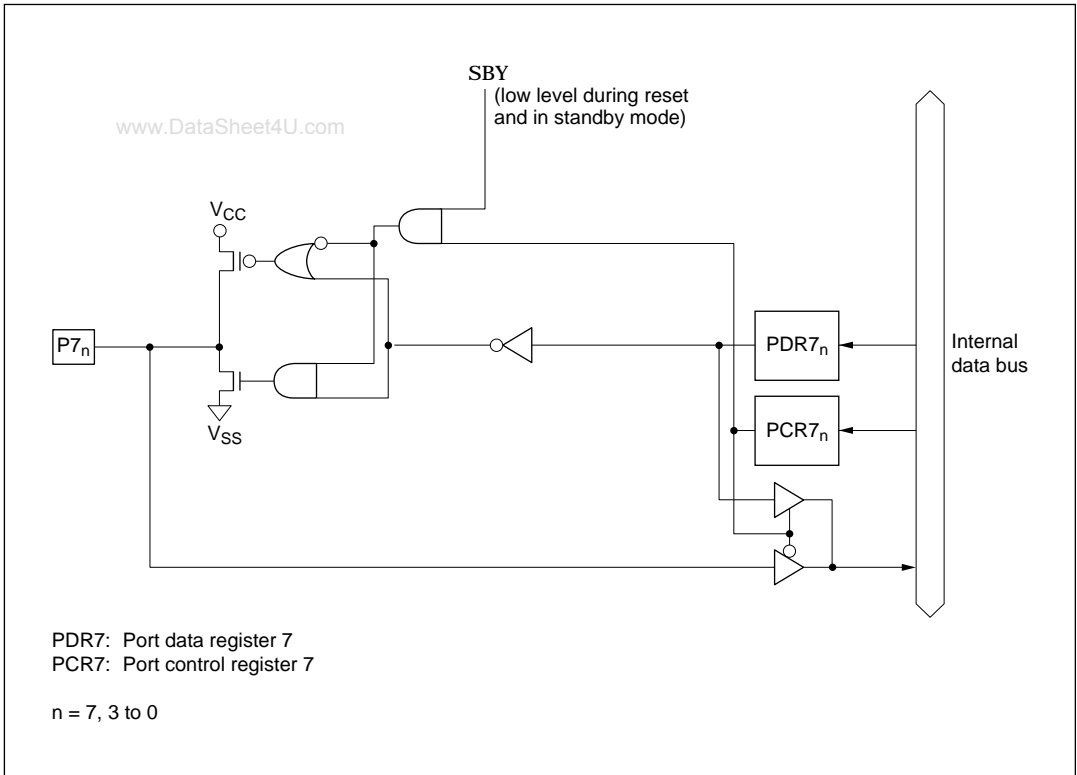


Figure C-6 (a) Port 7 Block Diagram (Pins $P7_7$ and $P7_3$ to $P7_0$)

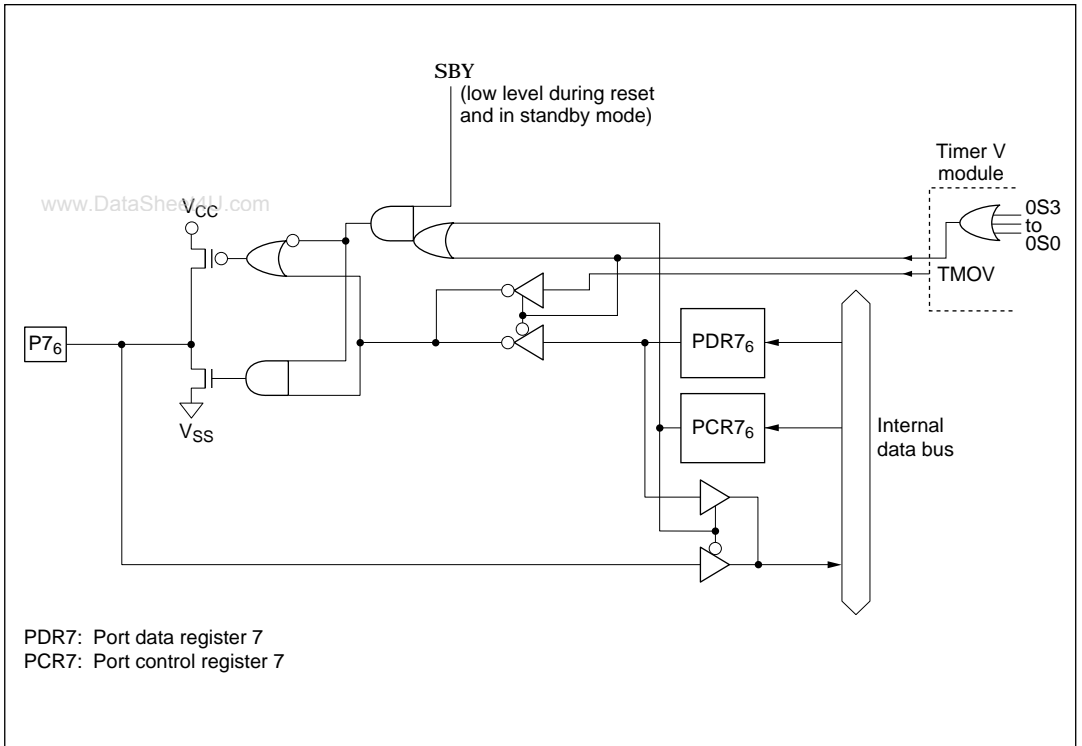


Figure C-6 (b) Port 7 Block Diagram (Pin P7₆)

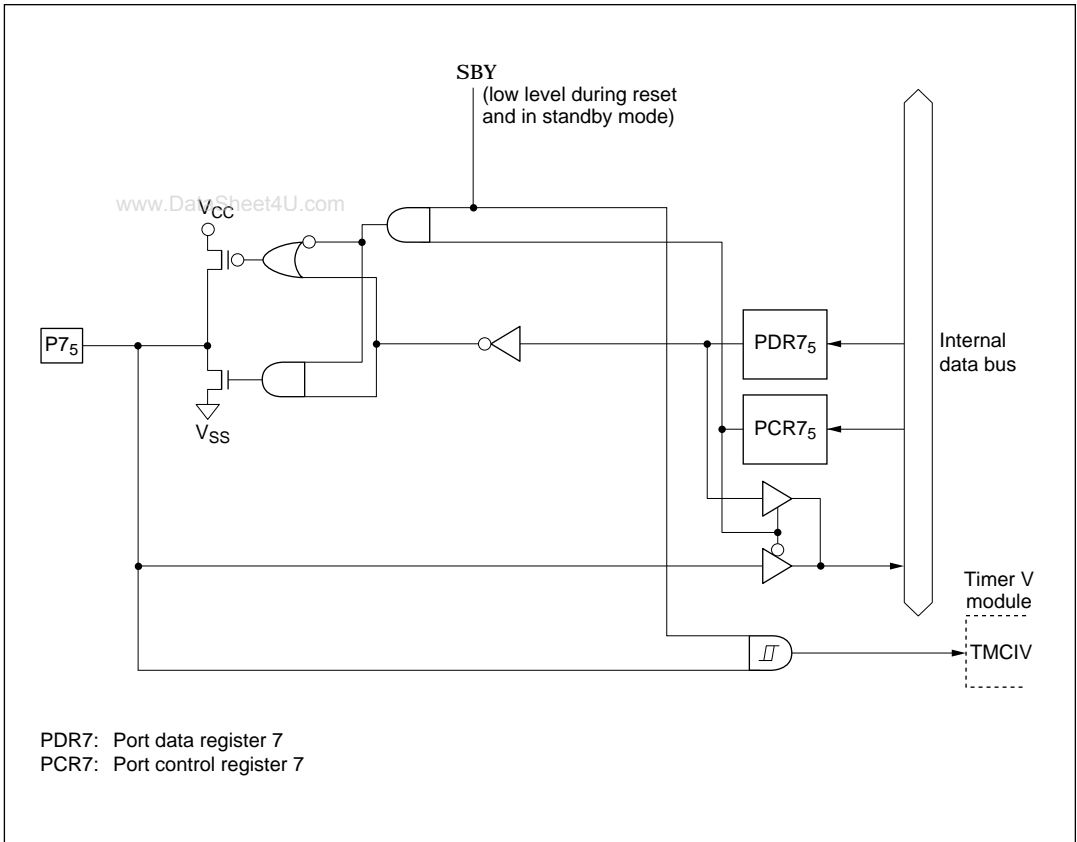


Figure C-6 (c) Port 7 Block Diagram (Pin P7₅)

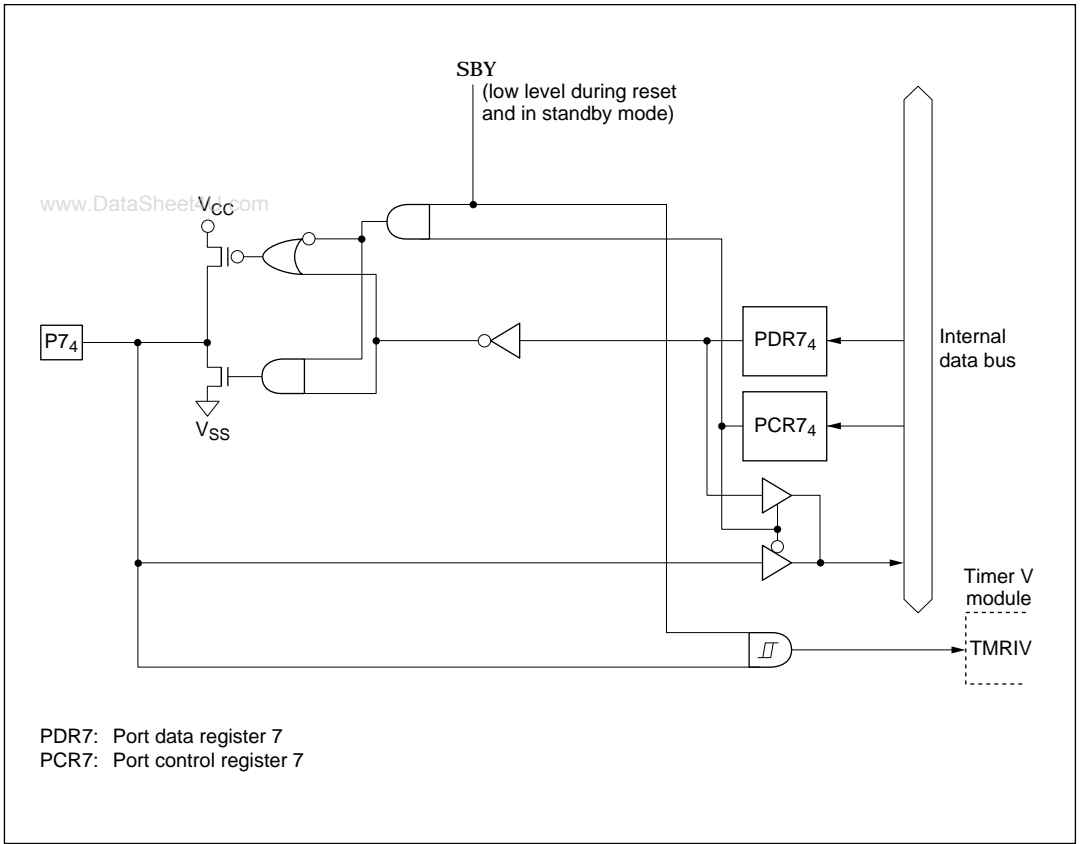


Figure C-6 (d) Port 7 Block Diagram (Pin P7₄)

C.7 Block Diagrams of Port 8

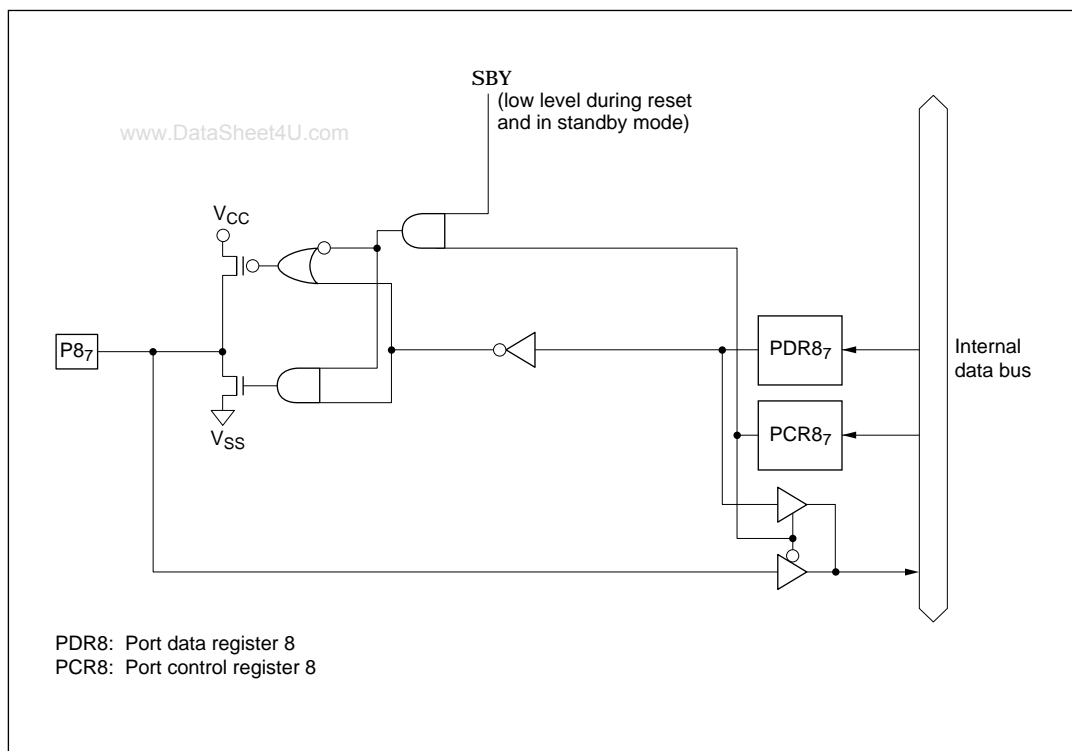


Figure C-7 (a) Port 8 Block Diagram (Pin P8₇)

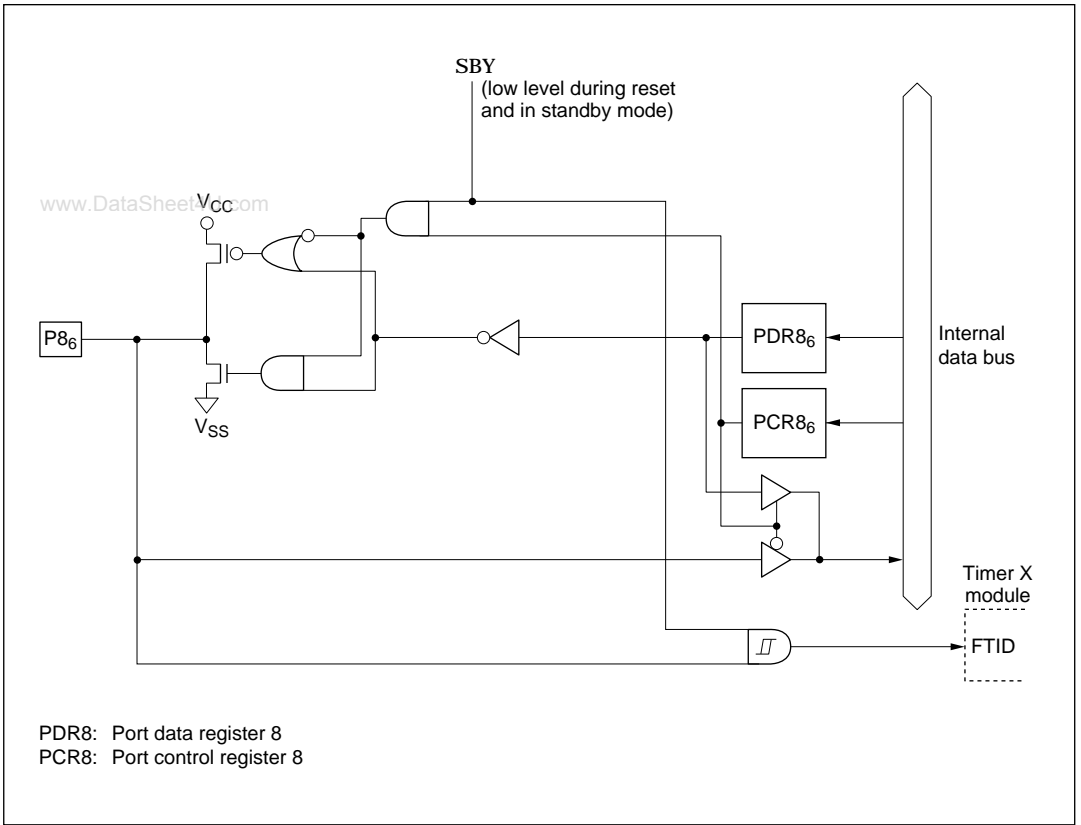


Figure C-7 (b) Port 8 Block Diagram (Pin P8₆)

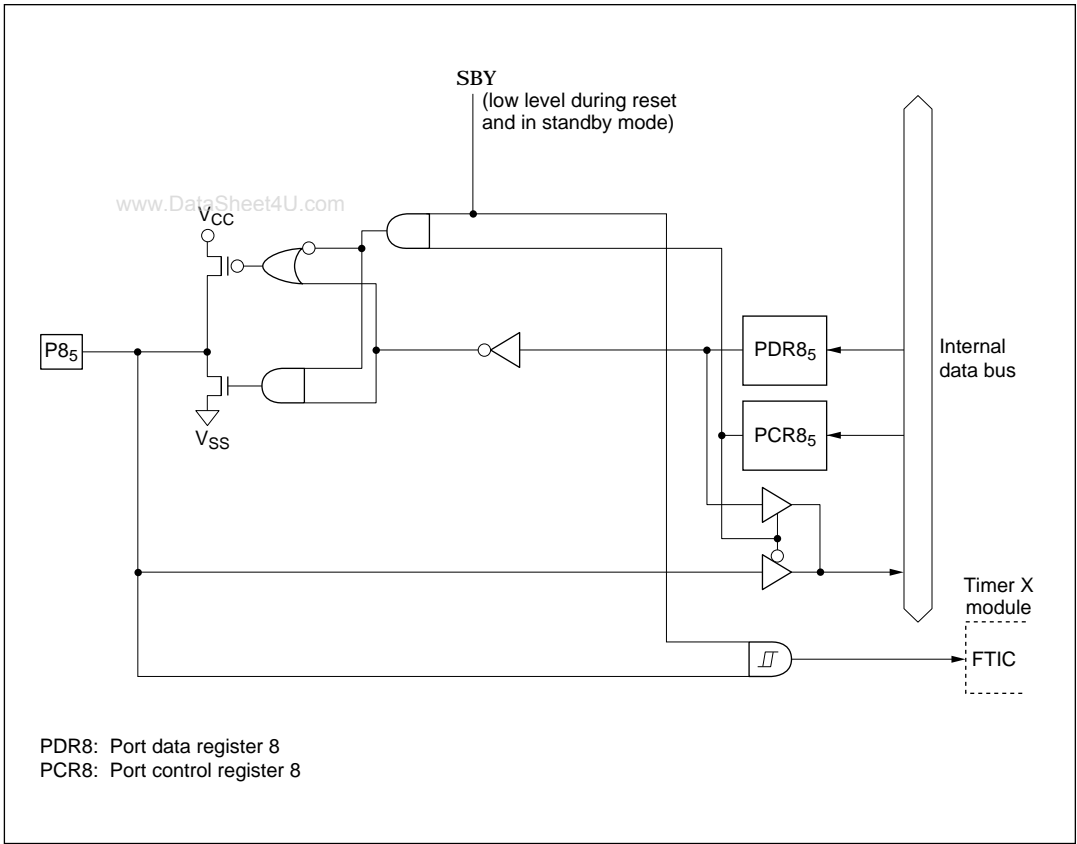


Figure C-7 (c) Port 8 Block Diagram (Pin P8₅)

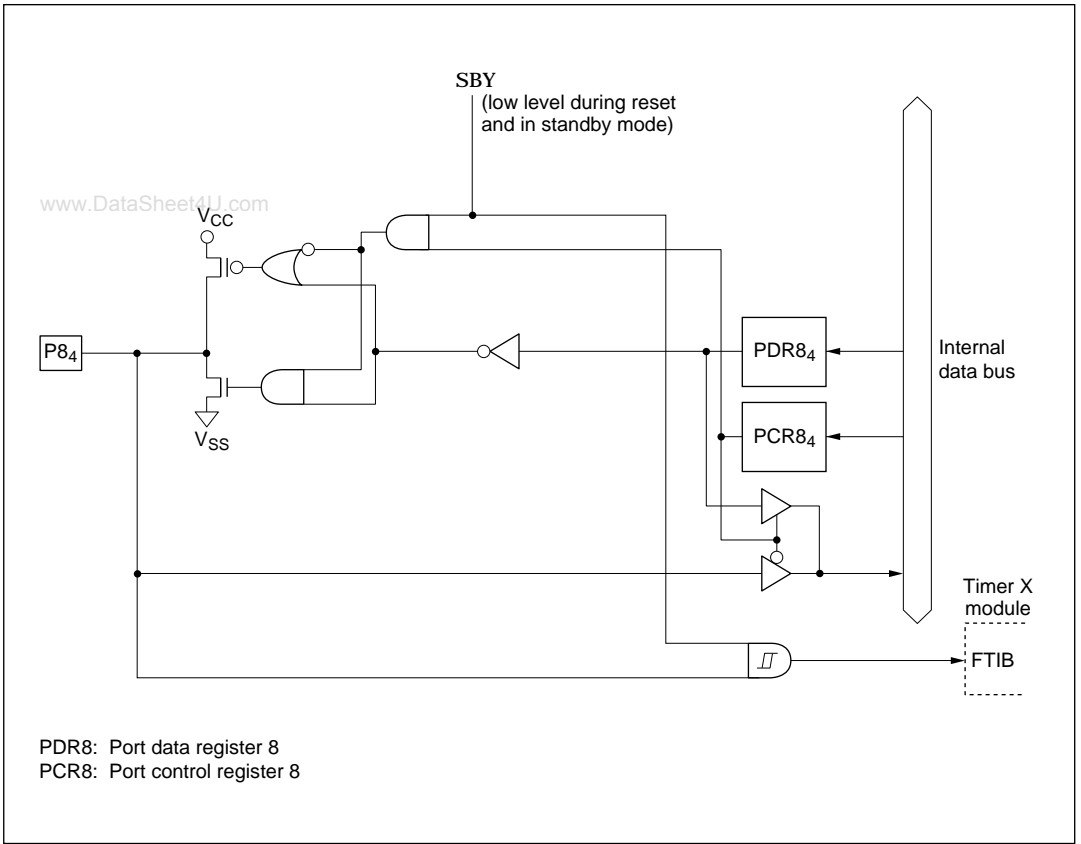


Figure C-7 (d) Port 8 Block Diagram (Pin P8₄)

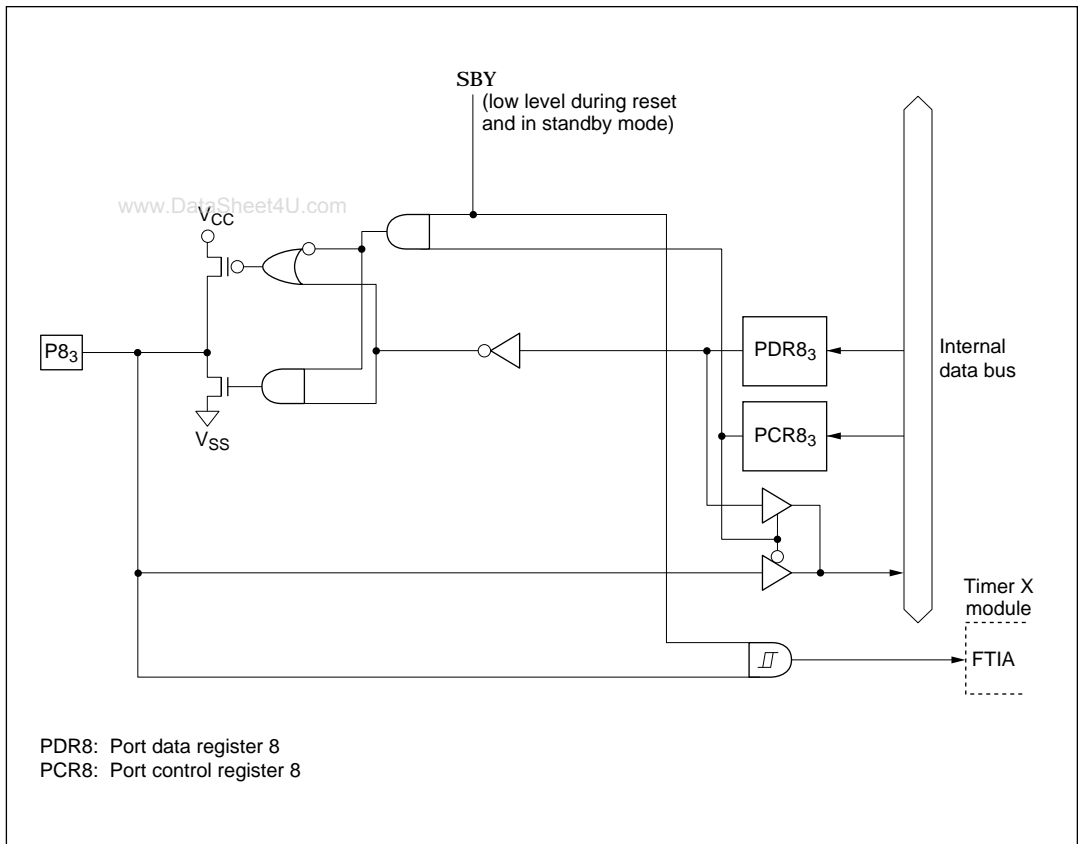


Figure C-7 (e) Port 8 Block Diagram (Pin P8₃)

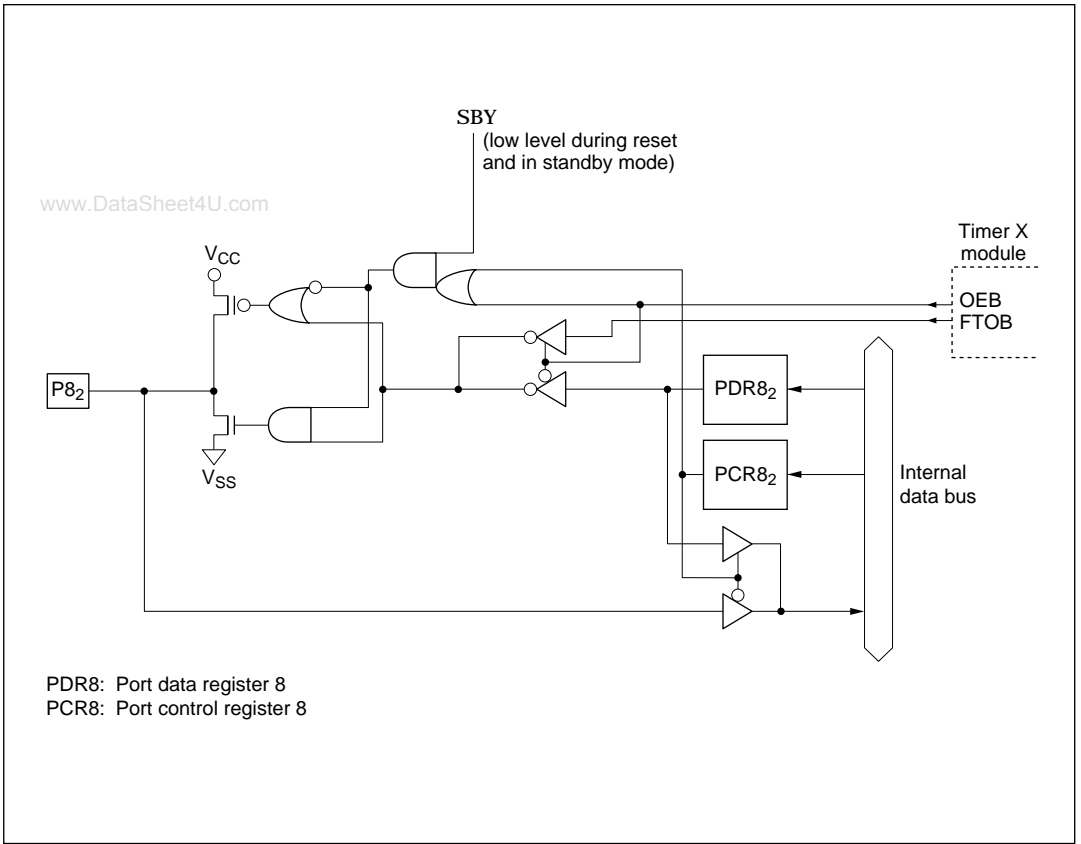
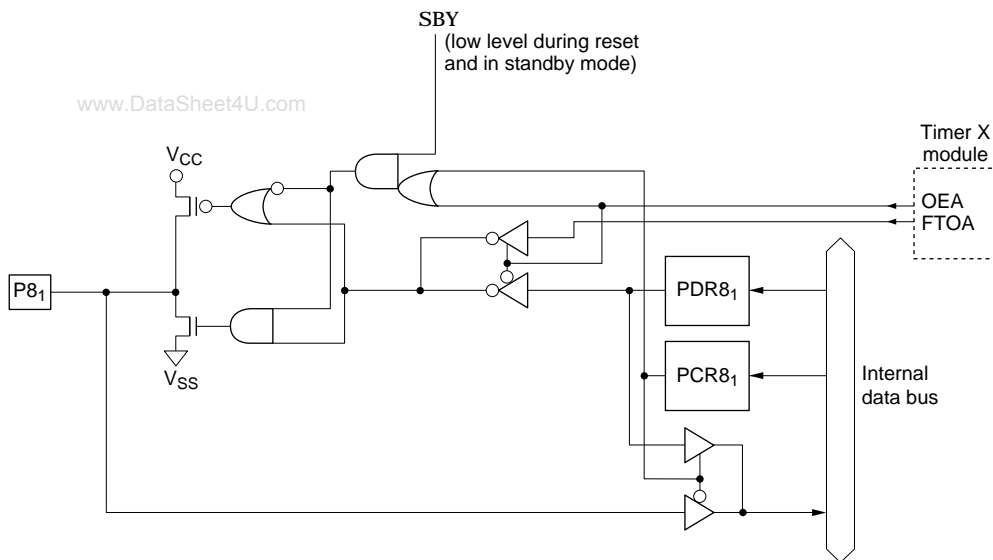


Figure C-7 (f) Port 8 Block Diagram (Pin P8₂)



PDR8: Port data register 8
PCR8: Port control register 8

Figure C-7 (g) Port 8 Block Diagram (Pin P8₁)

C.8 Block Diagram of Port B

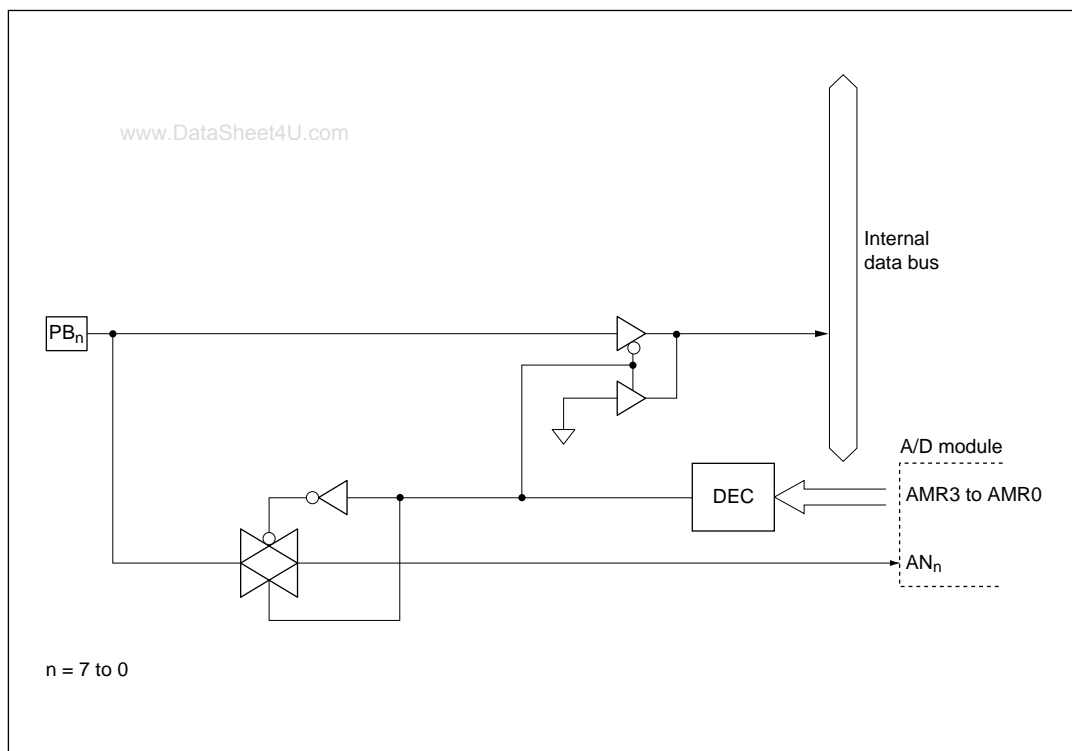


Figure C-8 Port B Block Diagram (Pins PB_7 to PB_0)

C.9 Block Diagram of Port C

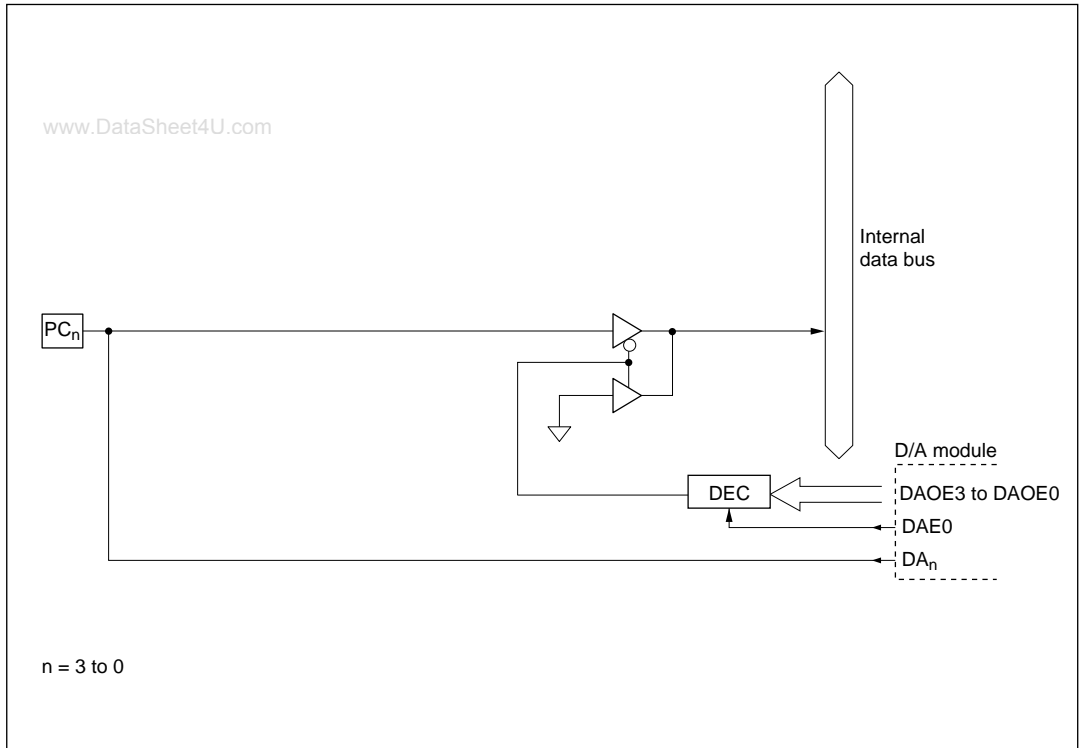


Figure C-9 Port C Block Diagram (Pins PC_3 to PC_0)

Appendix D Port States in the Different Processing States

Table D-1 Port States Overview

| Port | Reset | Sleep | Subsleep | Standby | Watch | Subactive | Active |
|------------------------------------|----------------|----------------|----------------|-----------------|----------------|----------------|----------------|
| P1 ₇ to P1 ₀ | High impedance | Retained | Retained | High impedance* | Retained | Functions | Functions |
| P3 ₇ to P3 ₀ | High impedance | Retained | Retained | High impedance* | Retained | Functions | Functions |
| P4 ₃ to P4 ₀ | High impedance | Retained | Retained | High impedance | Retained | Functions | Functions |
| P5 ₇ to P5 ₀ | High impedance | Retained | Retained | High impedance* | Retained | Functions | Functions |
| P6 ₇ to P6 ₀ | High impedance | Retained | Retained | High impedance* | Retained | Functions | Functions |
| P7 ₇ to P7 ₀ | High impedance | Retained | Retained | High impedance | Retained | Functions | Functions |
| P8 ₇ to P8 ₀ | High impedance | Retained | Retained | High impedance | Retained | Functions | Functions |
| PB ₇ to PB ₀ | High impedance | High impedance | High impedance | High impedance | High impedance | High impedance | High impedance |
| PC ₃ to PC ₀ | High impedance | High impedance | High impedance | High impedance | High impedance | High impedance | High impedance |

Note: * High level output when MOS pull-up is in on state.

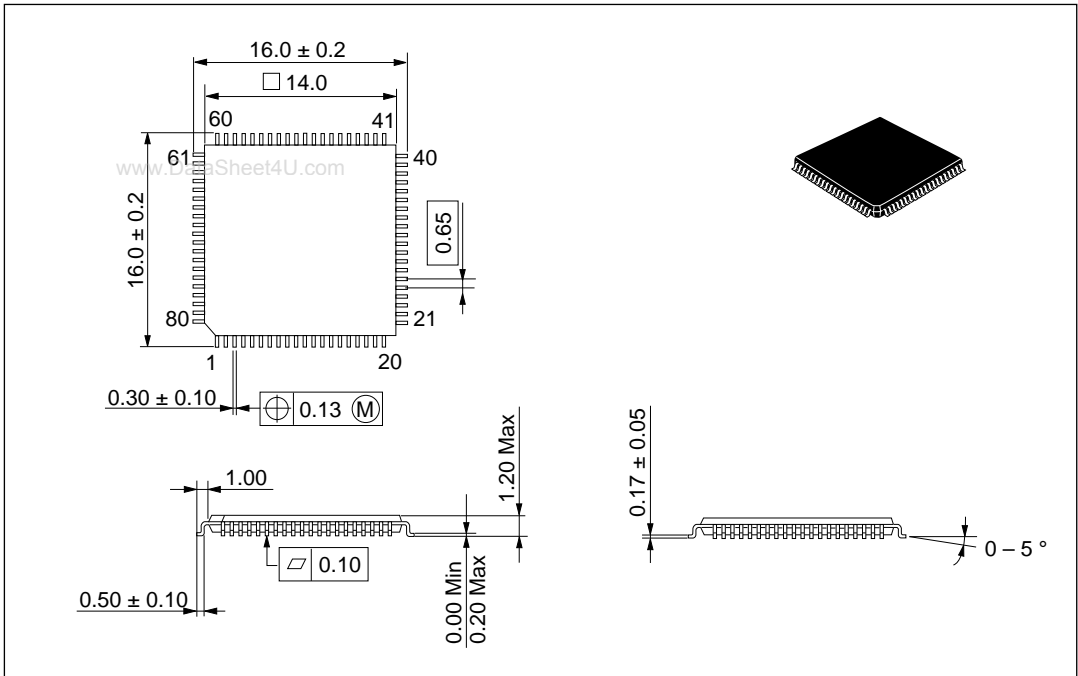


Figure E-2 TFP-80F Package Dimensions

Note: In case of inconsistencies arising within figures, dimensional drawings listed in the Hitachi Semiconductor Packages Manual take precedence and are considered correct.