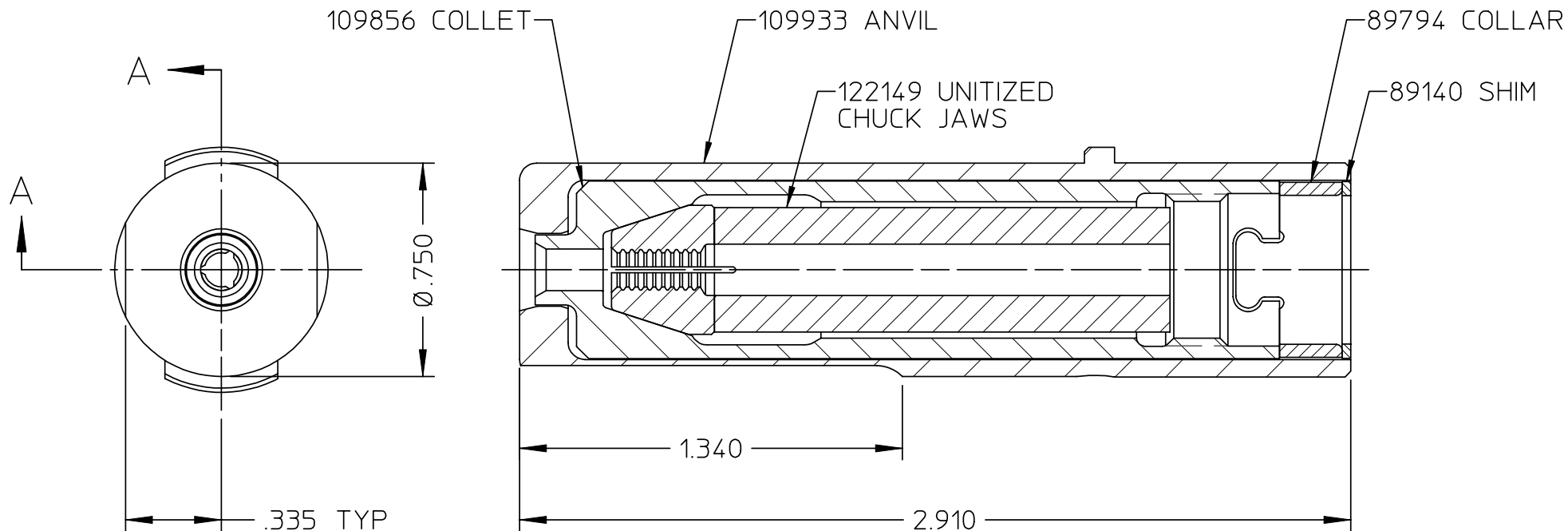


DATA SHEET



SECTION A-A

Alcoa Fastening Systems

Commercial Products
1 Corporate Drive, Kingston, NY 12401

TYPE:	NON-SELF-RELEASING
FASTENER:	-06 BOM
TOOL(S):	210, 212, 230, 352, 2400, 2702

Notes:	Product Revision: H
US Patent:	Date: 07/23/03

99-994

Part Number