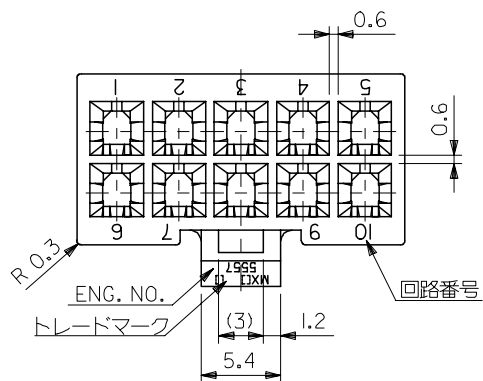
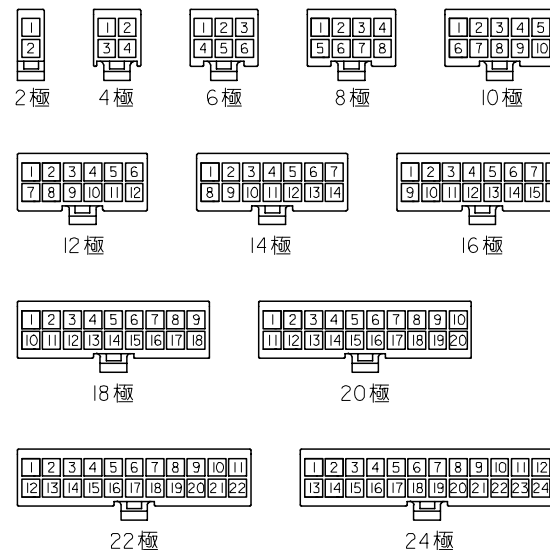


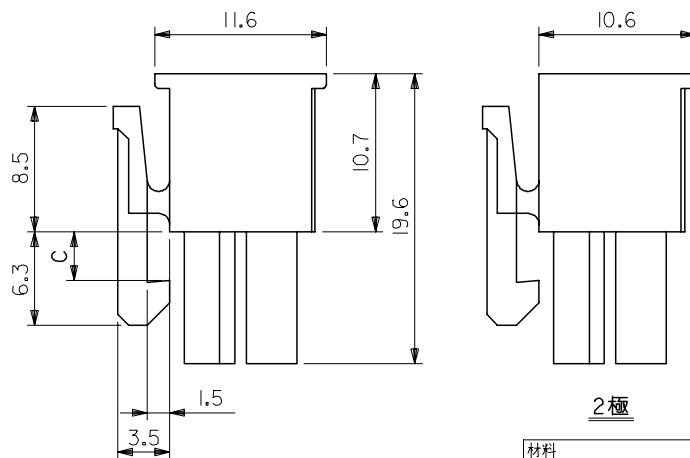
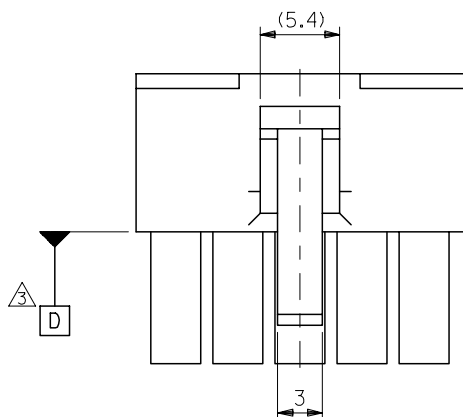
10 9 8 7 6 5 4 3 2 1



- 注記**
- 適用ターミナル：5556 シリーズ
 - 嵌合相手：5559 シリーズ
5566 シリーズ
5569 シリーズ
501566 シリーズ
- △ D 面の位置にて維持すること。

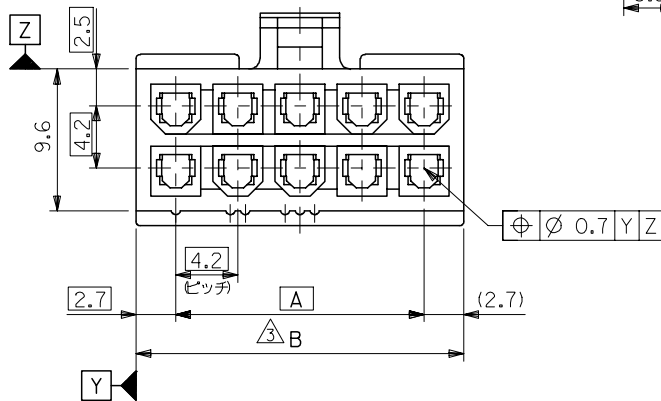


回路レイアウト図
(SCALE 1:1)



材料 MATERIAL	66ナイロン (UL94V-2)
仕上げ FINISH	—
適用電線範囲 WIRE RANGE	—
被覆外径 INS. RANGE	—

C	B	A	EDP. NO.	ENG. NO.	極数
3.6	51.6	46.2	39-01-2240	5557-24R	24
	47.4	42	-2220	-22R	22
	43.2	37.8	-2200	-20R	20
3.3	39	33.6	-2180	-18R	18
	34.8	29.4	-2160	-16R	16
	30.6	25.2	-2140	-14R	14
	26.4	21	-2120	-12R	12
	22.2	16.8	-2100	-10R	10
	18	12.6	-2080	-08R	8
	13.8	8.4	-2060	-06R	6
	9.6	4.2	-2040	-04R	4
	5.4	—	39-01-2020	5557-02R	2

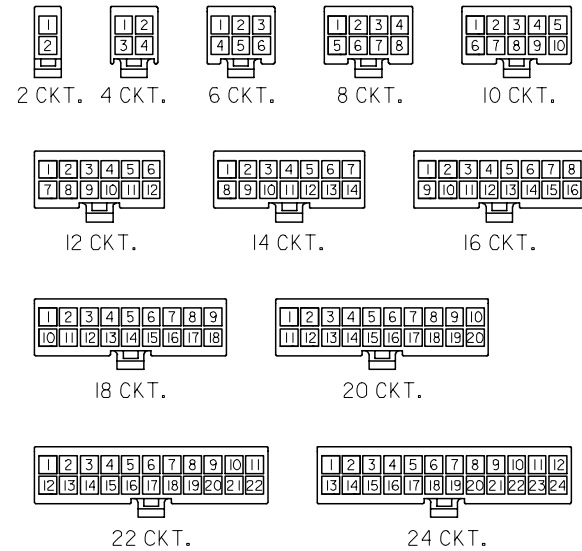


REVISED EC NO: J2005-3799 DRW: MNABE CHK: KYOYODA APP: NUKITA	DESCRIPTION	GENERAL TOLERANCES (UNLESS SPECIFIED)	DIMENSION STYLE MM ONLY	SCALE ---	DESIGN UNITS METRIC	THIRD ANGLE PROJECTION
	REV	10 UNDER ±0.2	DRAWN BY DATE S. MOCHIZUKI '90/02/22	TITLE NEW MINI FIT CONN REC. HOUSING	MOLEX INCORPORATED	
	J	10 OVER 30 UNDER ±0.3	CHECKED BY DATE M. FUKUSHIMA '97/01/08	APPROVED BY DATE M. FUKUSHIMA '97/01/08		
		30 OVER ±0.4	ANGULAR ±3 °	MATERIAL NO. SEE CHART	DOCUMENT NO. SD-5557-003	SHEET NO. 1 OF 2
		DRAFT WHERE APPLICABLE MUST REMAIN WITHIN DIMENSIONS		SIZE A3	THIS DRAWING CONTAINS INFORMATION THAT IS PROPRIETARY TO MOLEX INCORPORATED AND SHOULD NOT BE USED WITHOUT WRITTEN PERMISSION	

10 9 8 7 6 5 4 3 2 1

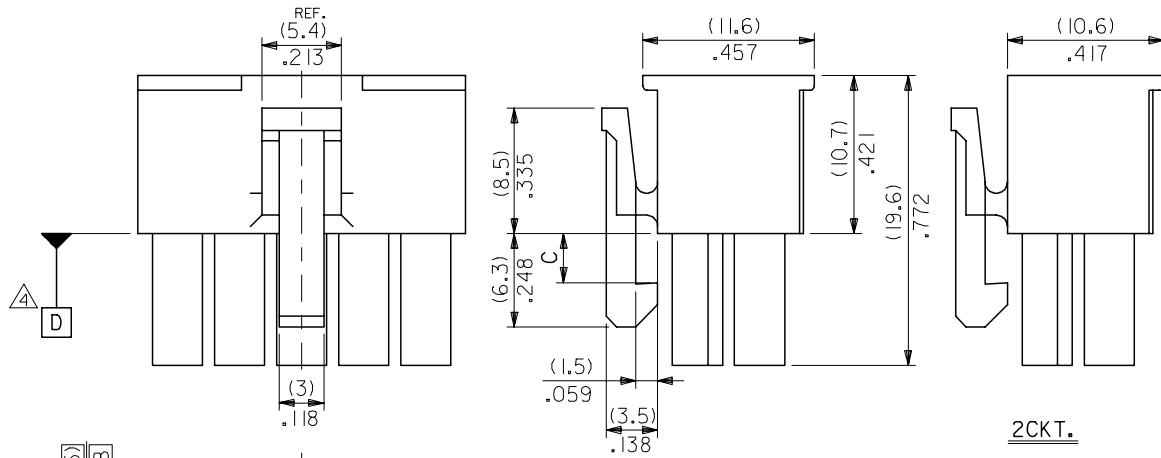
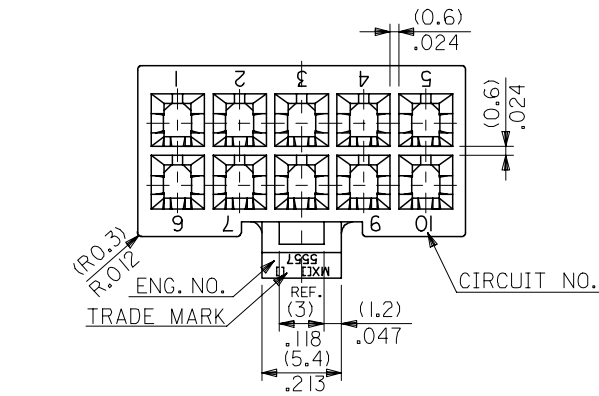
NOTES

1. TERMINAL : 5556 SERIES
2. MATE WITH : 5559 SERIES
5566 SERIES
5569 SERIES
501566 SERIES
3. (METRIC) VALUES SHOWN GOVERN OVER ENGLISH CONVERSION VALUES.
△ TO BE MEASURED AT POSITION OF □ SURFACE.



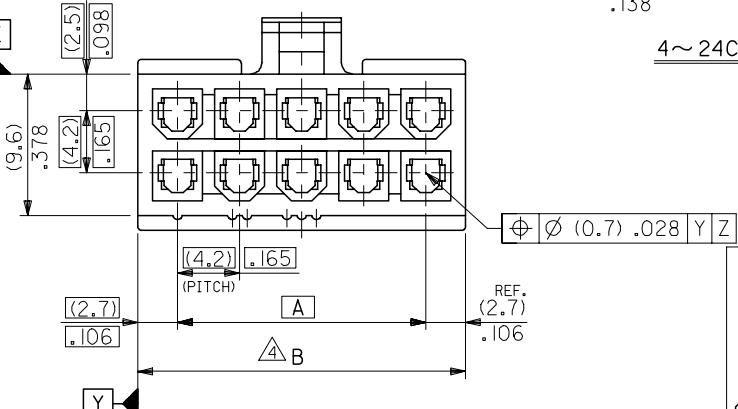
CIRCUIT SIZE LAYOUT
(SCALE 1:1)

(3.6) .142	(51.6)	2.031	(46.2)	1.819	39-01-2240	5557-24R	24
	(47.4)	1.866	(42)	1.654	↑ -2220	↑ -22R	22
(3.3) .129	(43.2)	1.701	(37.8)	1.488	-2200	-20R	20
	(39)	1.535	(33.6)	1.323	-2180	-18R	18
	(34.8)	1.37	(29.4)	1.158	-2160	-16R	16
	(30.6)	1.205	(25.2)	.992	-2140	-14R	14
	(26.4)	1.039	(21)	.827	-2120	-12R	12
	(22.2)	.874	(16.8)	.661	-2100	-10R	10
	(18)	.709	(12.6)	.496	-2080	-08R	8
	(13.8)	.543	(8.4)	.331	-2060	-06R	6
C	(9.6)	.378	(4.2)	.165	↓ -2040	↓ -04R	4
	(5.4)	.213	—	—	39-01-2020	5557-02R	2
				A	EDP. NO.	ENG. NO.	NO. OF CKTS.



4~24CKT.

材料 MATERIAL	66NYLON (UL94V-2)
仕上り FINISH	—
適用電線範囲 WIRE RANGE	—
被覆外径 NS. RANGE	—



REVISED EC NO: J2005-3799 DRW: NABEI CHK: KATOYODA APP: NUKITA	2005/06/20	2005/06/21	2005/06/27	DESCRIPTION	GENERAL TOLERANCES (UNLESS SPECIFIED)	DIMENSION STYLE MM ONLY	SCALE 3:1	DESIGN UNITS METRIC	THIRD ANGLE PROJECTION
	10 UNDER	±0.2	DRAWN BY S. MOCHIZUKI		DATE '90/02/22	TITLE NEW MINI FIT CONN REC. HOUSING			
	10 OVER 30 UNDER	±0.3	CHECKED BY M. FUKUSHIMA		DATE '97/01/08	MATERIAL NO. SEE CHART	DOCUMENT NO. SD-5557-003	SHEET NO. 2 OF 2	
	30 OVER	±0.4	APPROVED BY M. FUKUSHIMA		DATE '97/01/08	MOLEX INCORPORATED			
J					DRAFT WHERE APPLICABLE MUST REMAIN WITHIN DIMENSIONS	THIS DRAWING CONTAINS INFORMATION THAT IS PROPRIETARY TO MOLEX INCORPORATED AND SHOULD NOT BE USED WITHOUT WRITTEN PERMISSION			