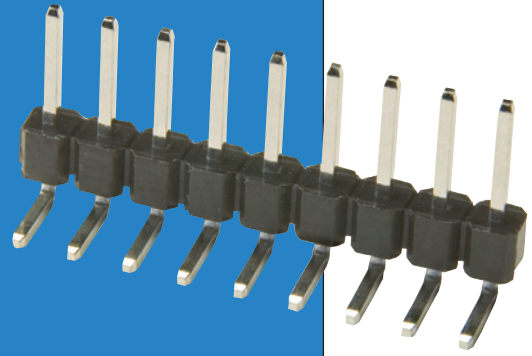


M20 Connectors

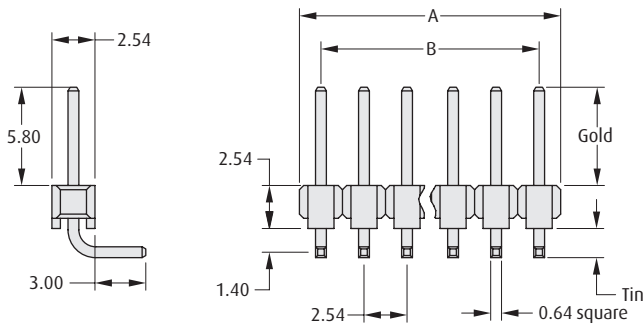
Male Horizontal Single Row PC Tail

- Horizontal orientation for 90° board-to-board applications.
- Pin headers can be cut into smaller sizes.
- Choice of mating pin lengths or specify your own pin headers (see page 134).
- Suitable for use with female connectors shown on pages 120 to 126.

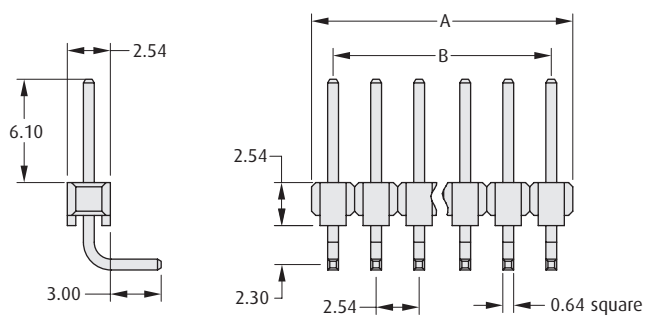


2.54mm (.100") PITCH

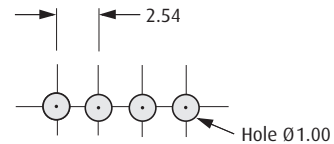
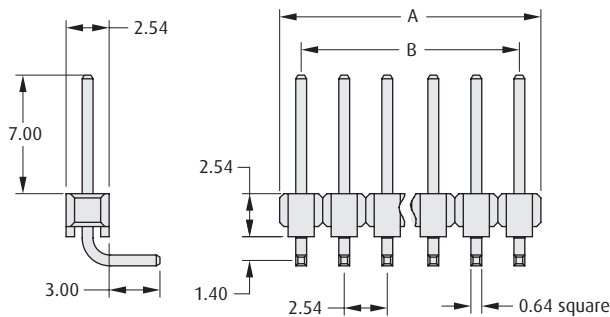
5.8mm



6.1mm



7.0mm



Recommended PC Board Pattern

CALCULATION

A	$2.54 \times \text{No. of ways per row}$
B	$2.54 \times (\text{No. of ways per row} - 1)$

HOW TO ORDER

M20 - 9 XX XX XX

SERIES CODE

SIZE

71	7.0mm Mating Height
75	5.8mm Mating Height
96	6.1mm Mating Height

NO. OF WAYS PER ROW

02 to 40

FINISH

42	Gold + Tin (M20-975)	
45	Gold (M20-971, 996)	
46	Tin	

All dimensions in mm.

www.harwin.com

