

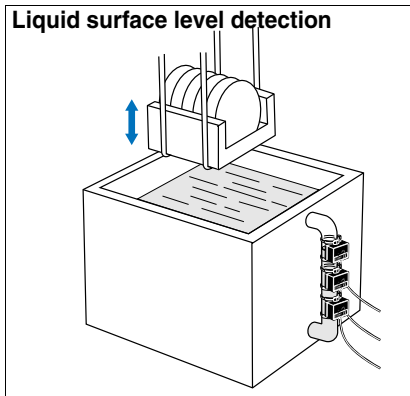
Liquid Level Sensor

E2K-L



- Installation on pipes.
- Sensing by means electrostatic capacity and is not influenced by the color of the pipe or liquid.
- Available in 8 to 11 mm dia. and 12 to 26 mm dia. models to enable sensing for a wide range of pipe diameters.
- Built-in amplifier for space-saving.



Applications



Ordering Information

Sensor type	Applicable pipe diameters	Shape	Output form		Model
Electrostatic capacity method	8 to 11 mm dia.		NPN open-collector output	NO	E2K-L13MC1
	12 to 26 mm dia.				E2K-L26MC1

Rating/Performance

Item		Model	E2K-L13MC1	E2K-L26MC1
Applicable pipes	Material		Non-metal	
	Size	External diameter	8 to 11 mm dia.	12 to 26 mm dia.
		Wall thickness	1 mm max.	1.5 mm max.
Sensing object		Liquid (see note)		
Repetition precision		±0.2 mm max.		
Response difference (reference value only; varies with pipe size and solution)		0.6 to 5 mm		0.3 to 3 mm
Supply voltage (operating voltage range)		12 to 24 VDC, 10% max. ripple (10.8 to 30 VDC)		
Current consumption		12 mA max.		
Control output	Switching capacity		100 mA max.	
	Residual voltage		1 V max. (under load current of 100 mA with cable length of 2 m)	
Detection position of liquid surface		Notch position (For details, refer to Sensitivity Adjustment on next page.)		
Indicator lamp		Operation indicator (orange)		
Ambient temperature		Operating: 0 to 55°C; Storage: -10 to 65°C (with no icing or condensation)		
Ambient humidity		Operating/storage: 25% to 85% (with no condensation)		
Temperature influence		In the range 0 to 55°C: Detection level at 23°C 4 mm (with distilled water or 20 % salt water concentration) (±6 mm with E2K-L13MC1 for distilled water in pipe of 8 mm diameter)		
Voltage influence		At the rated power supply voltage ±10%: Detection level at rated supply voltage ±0.5 mm		
Insulation resistance		50 MΩ min. (at 500 VDC) between energized parts and case		
Dielectric strength		500 VAC 50/60 Hz for 1 min between energized part and case		
Vibration resistance		10 to 55 Hz, 1.5 mm double amplitude for 2 hours each in X, Y, and Z directions		
Shock resistance		500 m/s ² for 3 times each in X, Y, and Z directions		
Protective structure		IEC 60529 IP66		
Connection method		Pre-wired models (standard length: 2 m)		
Weight (Packed state)		Approx. 70 g		
Material	Case, cover		Heat-resistant ABS resin	
	Cable clamp		NBR	
Accessories		2 binding bands, 4 nonskid tubes, instruction manual		

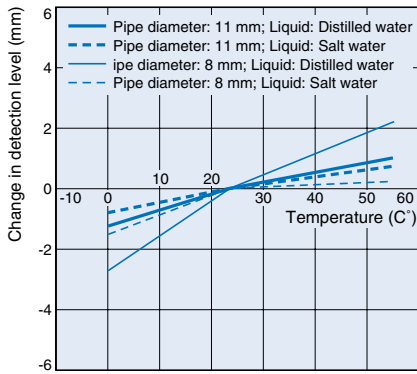
Note: In the following cases, stable detection may not be possible and ensure to confirm correct operation in the actual installation before use.

1. If the dielectric constant or conductivity of the liquid is low.
2. If the capacity of the liquid is small, or if the pipe diameter is so small or the pipe walls are so thick that the amount by which the capacity changes relating to the liquid level is small.
3. In case of an increased gassing or a highly viscous liquid firm residue on the inside walls of the pipe, or a dirt clogging on the inner or outer walls of the pipe.

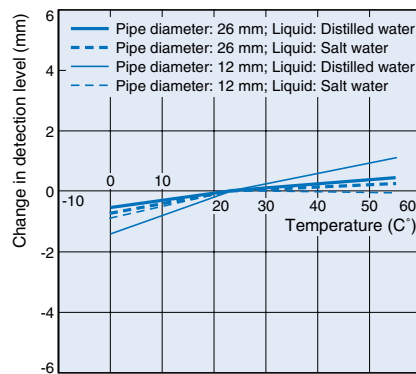
Characteristic data (typical)

Influence of Temperature on Detection Level

E2K-L13MC1



E2K-L26MC1



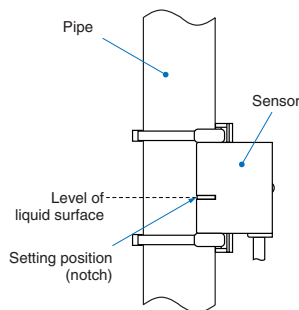
Output Circuit Diagram

Output form	Model	Timing chart	Output circuit
NO	E2K-L13MC1 E2K-L26MC1	<p>Liquid surface</p> <p>Load (brown-black)</p> <p>Operation indicator (orange)</p>	<p>* 100 mA max. (load current)</p>

Operation

Sensitivity adjustment

1. Install the Sensor with the setting position (notch) in line with the liquid level to be detected.

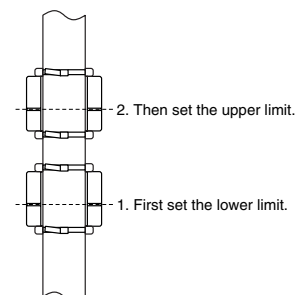


2. After Sensor installation adjust the detecting sensitivity using the (12-step) sensitivity adjuster in the way shown below.

Status of the indicator when the liquid level is aligned with the setting position	Sensitivity adjuster	Adjustment procedure
Not lit		Turn the sensitivity adjuster clockwise using a screwdriver until the indicator lights.
Lit		Turn the sensitivity adjuster counterclockwise using a screwdriver until the indicator turns OFF. Then, turn the sensitivity adjuster clockwise until the indicator lights up again.

Note: 1. During sensitivity adjustment do not put your hand on the Sensor and make sure that the cable is properly secured. Failure to observe these points may affect the detection level.

2. When using more than one Sensor (e.g., to detect for upper and lower limits), adjust the sensitivity of the Sensors in order starting from the bottom. Adjusting the sensitivity of a Sensor may affect the detection level of the Sensor above it.



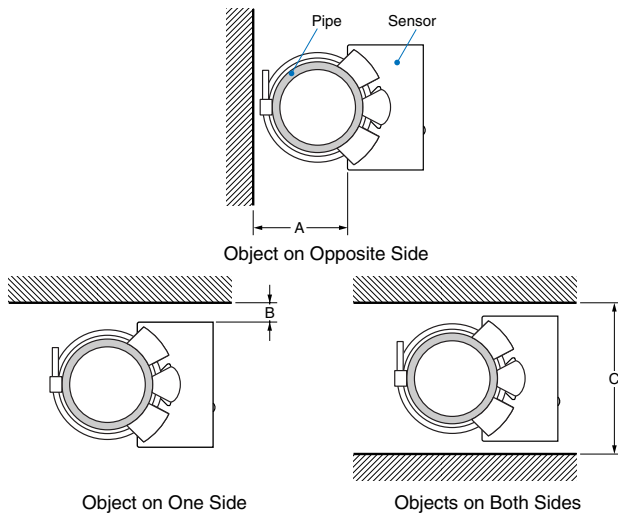
Precautions

Correct Use

Design

Influence of Surrounding Objects

Performance may be adversely affected by conductive objects (e.g., metals) in the vicinity of the Sensor. Ensure that any conductive objects are separated from the Sensor and set at a minimum distance as shown below.

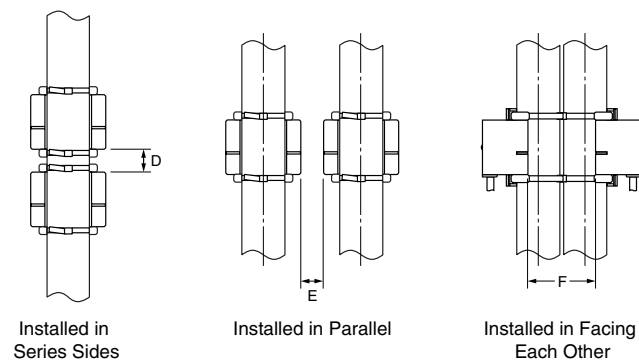


Influence of Surrounding Objects (Units: mm)

Shape	Length	A	B	C
E2K-L13MC1		25	5	45
E2K-L26MC1			0	40

Mutual Interference

When installing 2 or more Sensors in series, in parallel, or facing each other, be sure that they are separated by at least the distances shown below.



Mutual Interference (Unit: mm)

Shape	Length	D (see note)	E	F
E2K-L13MC1		10	10	25
E2K-L26MC1				30

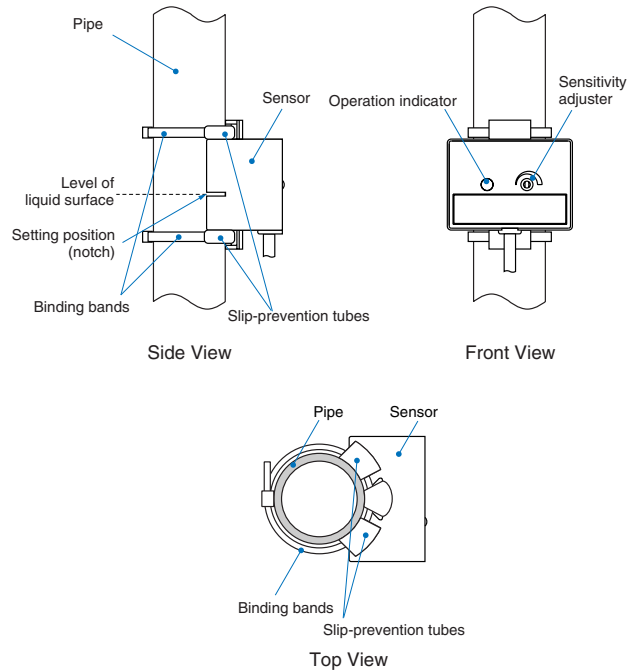
* The detection level for the top Sensor may change when the detection level for the bottom Sensor is set. Be sure to set the detection level for the bottom Sensor first.

Installation

Sensor installation

Attach the Sensor securely to the pipe using the 2 binding bands and the 4 nonskid tubes provided (2 tubes per band) in the way shown below.

Install the Sensor in such manner that the pipe is in contact with the entire sensing face of the Sensor with the pipe and Sensor in parallel.



Wiring Considerations

Power Supply

If separate power supplies are used for Sensor and load, be sure to turn on the Sensor power supply first. If a commercially available switching regulator is used, the Sensor may malfunction because of switching noise. Connect the frame ground and ground terminals to ground.

● Operating Environment

Ambient Conditions

Although this product has waterproof specifications, do not use it in locations where it may have a direct contact with liquids (e.g., water or cutting oil). Such locations can interfere with the electrostatic capacity method used by the Sensor.

Even if the Sensor is used within the specified temperature range, do not subject it to sudden changes in temperature because this will shorten the service life.

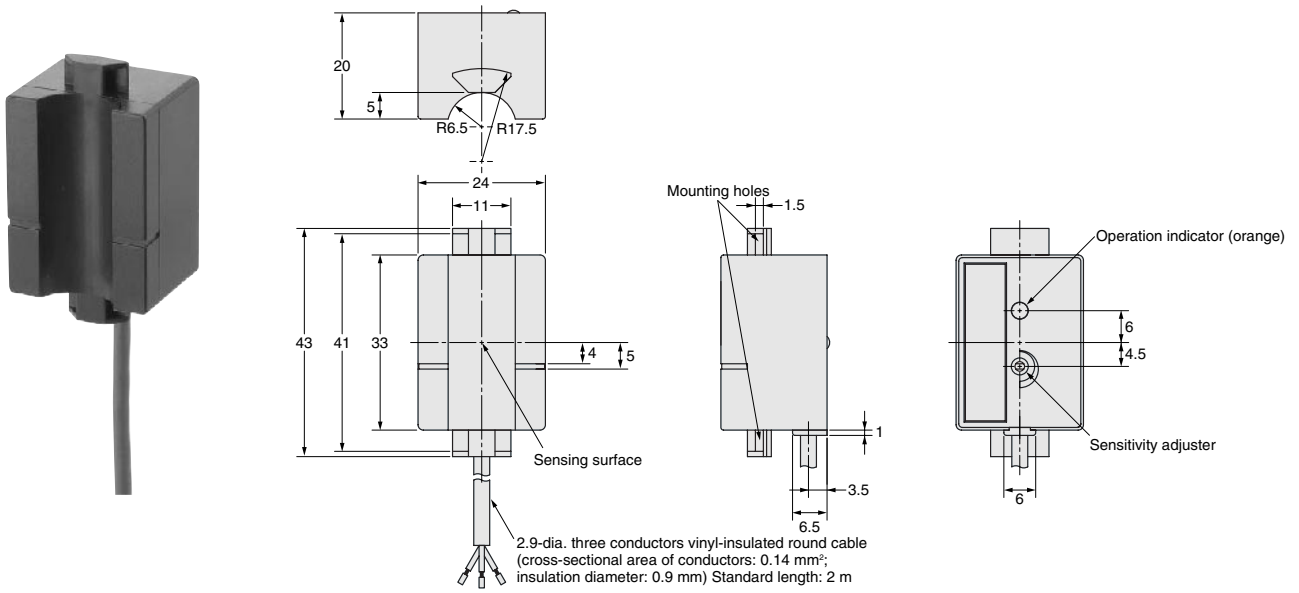
Miscellaneous

Drift may occur when the power supply is turned ON. If the dielectric constant of the liquid is low, the detection level of the liquid may be 2 to 3 mm higher than the set level for approximately 20 minutes after power is turned ON.

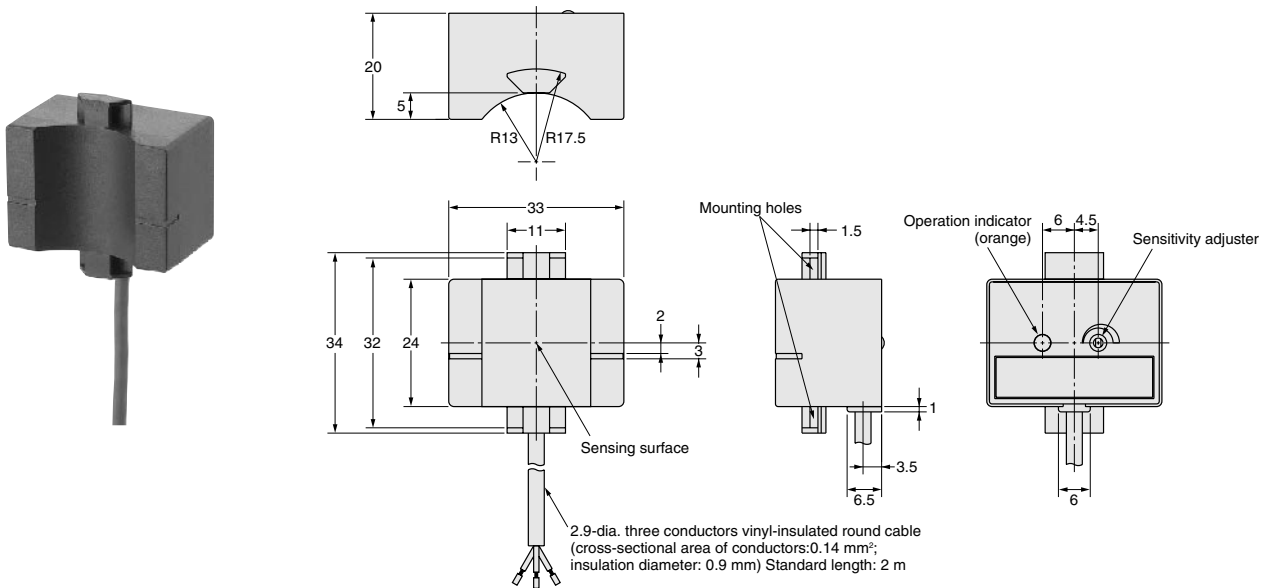
E2K-L

Dimensions (Unit: mm)

E2K-L13MC1



E2K-L26MC1



Certain Terms and Conditions of Sale

1. **Offer; Acceptance.** These terms and conditions (these "Terms") are deemed part of all catalogs, manuals or other documents, whether electronic or in writing, relating to the sale of goods or services (collectively, the "Goods") by Omron Electronics LLC and its subsidiary companies ("Seller"). Seller hereby objects to any terms or conditions proposed in Buyer's purchase order or other documents which are inconsistent with, or in addition to, these Terms. Please contact your Omron representative to confirm any additional terms for sales from your Omron company.
2. **Prices.** All prices stated are current, subject to change without notice by Seller. Buyer agrees to pay the price in effect at time of shipment.
3. **Discounts.** Cash discounts, if any, will apply only on the net amount of invoices sent to Buyer after deducting transportation charges, taxes and duties, and will be allowed only if (i) the invoice is paid according to Seller's payment terms and (ii) Buyer has no past due amounts owing to Seller.
4. **Orders.** Seller will accept no order less than \$200 net billing.
5. **Governmental Approvals.** Buyer shall be responsible for, and shall bear all costs involved in, obtaining any government approvals required for the importation or sale of the Goods.
6. **Taxes.** All taxes, duties and other governmental charges (other than general real property and income taxes), including any interest or penalties thereon, imposed directly or indirectly on Seller or required to be collected directly or indirectly by Seller for the manufacture, production, sale, delivery, importation, consumption or use of the Goods sold hereunder (including customs duties and sales, excise, use, turnover and license taxes) shall be charged to and remitted by Buyer to Seller.
7. **Financial.** If the financial position of Buyer at any time becomes unsatisfactory to Seller, Seller reserves the right to stop shipments or require satisfactory security or payment in advance. If Buyer fails to make payment or otherwise comply with these Terms or any related agreement, Seller may (without liability and in addition to other remedies) cancel any unshipped portion of Goods sold hereunder and stop any Goods in transit until Buyer pays all amounts, including amounts payable hereunder, whether or not then due, which are owing to it by Buyer. Buyer shall in any event remain liable for all unpaid accounts.
8. **Cancellation; Etc.** Orders are not subject to rescheduling or cancellation unless Buyer indemnifies Seller fully against all costs or expenses arising in connection therewith.
9. **Force Majeure.** Seller shall not be liable for any delay or failure in delivery resulting from causes beyond its control, including earthquakes, fires, floods, strikes or other labor disputes, shortage of labor or materials, accidents to machinery, acts of sabotage, riots, delay in or lack of transportation or the requirements of any government authority.
10. **Shipping; Delivery.** Unless otherwise expressly agreed in writing by Seller:
 - a. Shipments shall be by a carrier selected by Seller;
 - b. Such carrier shall act as the agent of Buyer and delivery to such carrier shall constitute delivery to Buyer;
 - c. All sales and shipments of Goods shall be FOB shipping point (unless otherwise stated in writing by Seller), at which point title to and all risk of loss of the Goods shall pass from Seller to Buyer, provided that Seller shall retain a security interest in the Goods until the full purchase price is paid by Buyer;
 - d. Delivery and shipping dates are estimates only.
 - e. Seller will package Goods as it deems proper for protection against normal handling and extra charges apply to special conditions.
11. **Claims.** Any claim by Buyer against Seller for shortage or damage to the Goods occurring before delivery to the carrier must be presented in writing to Seller within 30 days of receipt of shipment and include the original transportation bill signed by the carrier noting that the carrier received the Goods from Seller in the condition claimed.
12. **Warranties.** (a) **Exclusive Warranty.** Seller's exclusive warranty is that the Goods will be free from defects in materials and workmanship for a period of twelve months from the date of sale by Seller (or such other period expressed in writing by Seller). Seller disclaims all other warranties, express or implied. (b) **Limitations.** SELLER MAKES NO WARRANTY OR REPRESENTATION, EXPRESS OR IMPLIED, ABOUT NON-INFRINGEMENT, MERCHANTABILITY OR FITNESS FOR A PARTICULAR PURPOSE OF THE GOODS. BUYER ACKNOWLEDGES THAT IT ALONE HAS DETERMINED THAT THE GOODS WILL SUITABLY MEET THE REQUIREMENTS OF THEIR INTENDED USE. Seller further disclaims all warranties and responsibility of any type for claims or expenses based on infringement by the Goods or otherwise of any intellectual property right. (c) **Buyer Remedy.** Seller's sole obligation hereunder shall be to replace (in the form originally shipped with Buyer responsible for labor charges for removal or replacement thereof) the non-complying Good or, at Seller's election, to repay or credit Buyer an amount equal to the purchase price of the Good; provided that in no event shall Seller be responsible for warranty, repair, indemnity or any other claims or expenses regarding the Goods unless Seller's analysis confirms that the Goods were properly handled, stored, installed and maintained and not subject to contamination, abuse, misuse or inappropriate modification. Return of any goods by Buyer must be approved in writing by Seller before shipment. Seller shall not be liable for the suitability or unsuitability or the results from the use of Goods in combination with any electrical or electronic components, circuits, system assemblies or any other materials or substances or environments. Any advice, recommendations or information given orally or in writing, are not to be construed as an amendment or addition to the above warranty.
13. **Damage Limits; Etc.** SELLER SHALL NOT BE LIABLE FOR SPECIAL, INDIRECT OR CONSEQUENTIAL DAMAGES, LOSS OF PROFITS OR PRODUCTION OR COMMERCIAL LOSS IN ANY WAY CONNECTED WITH THE GOODS, WHETHER SUCH CLAIM IS BASED IN CONTRACT, WARRANTY, NEGLIGENCE OR STRICT LIABILITY. Further, in no event shall liability of Seller exceed the individual price of the Good on which liability is asserted.
14. **Indemnities.** Buyer shall indemnify and hold harmless Seller, its affiliates and its employees from and against all liabilities, losses, claims, costs and expenses (including attorney's fees and expenses) related to any claim, investigation, litigation or proceeding (whether or not Seller is a party) which arises or is alleged to arise from Buyer's acts or omissions under these Terms or in any way with respect to the Goods. Without limiting the foregoing, Buyer (at its own expense) shall indemnify and hold harmless Seller and defend or settle any action brought against Seller to the extent that it is based on a claim that any Good made to Buyer specifications infringed intellectual property rights of another party.
15. **Property; Confidentiality.** The intellectual property embodied in the Goods is the exclusive property of Seller and its affiliates and Buyer shall not attempt to duplicate it in any way without the written permission of Seller. Notwithstanding any charges to Buyer for engineering or tooling, all engineering and tooling shall remain the exclusive property of Seller. All information and materials supplied by Seller to Buyer relating to the Goods are confidential and proprietary, and Buyer shall limit distribution thereof to its trusted employees and strictly prevent disclosure to any third party.
16. **Miscellaneous.** (a) **Waiver.** No failure or delay by Seller in exercising any right and no course of dealing between Buyer and Seller shall operate as a waiver of rights by Seller. (b) **Assignment.** Buyer may not assign its rights hereunder without Seller's written consent. (c) **Amendment.** These Terms constitute the entire agreement between Buyer and Seller relating to the Goods, and no provision may be changed or waived unless in writing signed by the parties. (d) **Severability.** If any provision hereof is rendered ineffective or invalid, such provision shall not invalidate any other provision. (e) **Setoff.** Buyer shall have no right to set off any amounts against the amount owing in respect of this invoice. (f) As used herein, "including" means "including without limitation".

Certain Precautions on Specifications and Use

1. **Suitability of Use.** Seller shall not be responsible for conformity with any standards, codes or regulations which apply to the combination of the Good in the Buyer's application or use of the Good. At Buyer's request, Seller will provide applicable third party certification documents identifying ratings and limitations of use which apply to the Good. This information by itself is not sufficient for a complete determination of the suitability of the Good in combination with the end product, machine, system, or other application or use. The following are some examples of applications for which particular attention must be given. This is not intended to be an exhaustive list of all possible uses of this Good, nor is it intended to imply that the uses listed may be suitable for this Good:
 - (i) Outdoor use, uses involving potential chemical contamination or electrical interference, or conditions or uses not described in this document.
 - (ii) Energy control systems, combustion systems, railroad systems, aviation systems, medical equipment, amusement machines, vehicles, safety equipment, and installations subject to separate industry or government regulations.
 - (iii) Systems, machines and equipment that could present a risk to life or property. Please know and observe all prohibitions of use applicable to this Good.

NEVER USE THE PRODUCT FOR AN APPLICATION INVOLVING SERIOUS RISK TO LIFE OR PROPERTY WITHOUT ENSURING THAT THE SYSTEM AS A WHOLE HAS BEEN DESIGNED TO ADDRESS THE RISKS, AND THAT THE SELLER'S PRODUCT IS PROPERLY RATED AND INSTALLED FOR THE INTENDED USE WITHIN THE OVERALL EQUIPMENT OR SYSTEM.
2. **Programmable Products.** Seller shall not be responsible for the user's programming of a programmable Good, or any consequence thereof.
3. **Performance Data.** Performance data given in this catalog is provided as a guide for the user in determining suitability and does not constitute a warranty. It may represent the result of Seller's test conditions, and the user must correlate it to actual application requirements. Actual performance is subject to the Seller's Warranty and Limitations of Liability.
4. **Change in Specifications.** Product specifications and accessories may be changed at any time based on improvements and other reasons. It is our practice to change part numbers when published ratings or features are changed, or when significant construction changes are made. However, some specifications of the Good may be changed without any notice. When in doubt, special part numbers may be assigned to fix or establish key specifications for your application. Please consult with your Seller's representative at any time to confirm actual specifications of purchased Good.
5. **Errors and Omissions.** The information in this catalog has been carefully checked and is believed to be accurate; however, no responsibility is assumed for clerical, typographical or proofreading errors, or omissions.

Complete “Terms and Conditions of Sale” for product purchase and use are on Omron’s website at www.omron.com/oei – under the “About Us” tab, in the Legal Matters section.

ALL DIMENSIONS SHOWN ARE IN MILLIMETERS.

To convert millimeters into inches, multiply by 0.03937. To convert grams into ounces, multiply by 0.03527.

OMRON[®]**OMRON ELECTRONICS LLC**

One Commerce Drive
Schaumburg, IL 60173

847-843-7900

For US technical support or other inquiries:

800-556-6766**OMRON CANADA, INC.**

885 Milner Avenue
Toronto, Ontario M1B 5V8

416-286-6465**OMRON ON-LINE**

Global - <http://www.omron.com>
USA - <http://www.omron.com/oei>
Canada - <http://www.omron.ca>