

NEW!

SMT Power Inductors - DH3316 Series

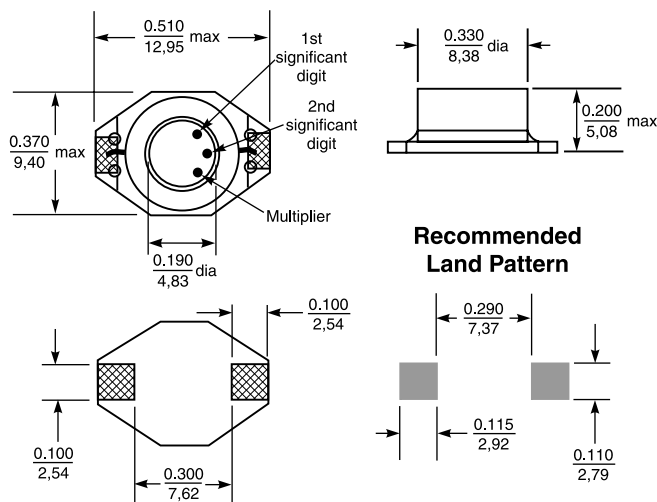


These power inductors feature a small footprint, magnetic shielding and very high efficiency, making them ideal for high performance DC-DC converter applications.

Like all Coilcraft surface mount power inductors, they are designed with a flat top for reliable pick and place operations. The terminations wrap around the end of the base, ensuring a sound solder fillet and simplifying inspection.

Saturation current ratings up to 10 A and rms current ratings as high as 6 A are available. Very low DC resistance keeps power losses to a minimum.

In addition to the standard values shown here, DH3316 inductors in custom values are also available. For free evaluation samples or to order, contact Coilcraft or visit www.coilcraft.com.



Weight: 860 – 980 mg
Terminations: Nickel/gold over phos bronze
Tape and reel: 1000/13" reel 24 mm tape width
 For packaging data see Tape and Reel Specifications section.

Part number	L ±20% ¹ (µH)	DCR max (Ohms)	SRF typ ² (MHz)	Isat ³ (A)	Irms ⁴ (A)
DH3316P-102	1.0	0.016	290	10.0	6.0
DH3316P-222	2.2	0.020	150	6.7	4.1
DH3316P-332	3.3	0.025	75	5.7	3.7
DH3316P-472	4.7	0.030	55	4.6	3.2
DH3316P-682	6.8	0.048	42	3.6	2.6
DH3316P-103	10	0.065	37	3.2	2.2
DH3316P-153	15	0.084	27	2.6	1.8
DH3316P-223	22	0.126	24	2.2	1.6
DH3316P-333	33	0.198	17	1.7	1.2
DH3316P-473	47	0.295	12	1.5	1.0
DH3316P-683	68	0.415	11	1.1	0.90
DH3316P-104	100	0.620	9	1.0	0.60
DH3316P-154	150	0.970	7	0.8	0.51
DH3316P-224	220	1.270	6	0.65	0.44
DH3316P-334	330	1.850	5	0.50	0.38
DH3316P-684	680	4.400	3	0.35	0.23
DH3316P-105	1000	5.850	2.5	0.27	0.22

1. Inductance tested at 0.1 Vrms, 100 kHz, 0 Adc.
2. SRF measured using Agilent/HP 8753D network analyzer.
3. DC current at which the inductance drops 10% (typ) from its value without current.
4. Average current for a 40°C rise above 25°C ambient.
5. Operating temperature range -40°C to +85°C
6. Electrical specifications at 25°C

See Qualification Standards section for environmental and test data.
 See Color Coding section for part marking data.

Coilcraft®

Specifications subject to change without notice. Document 303-1 Revised 01/27/05

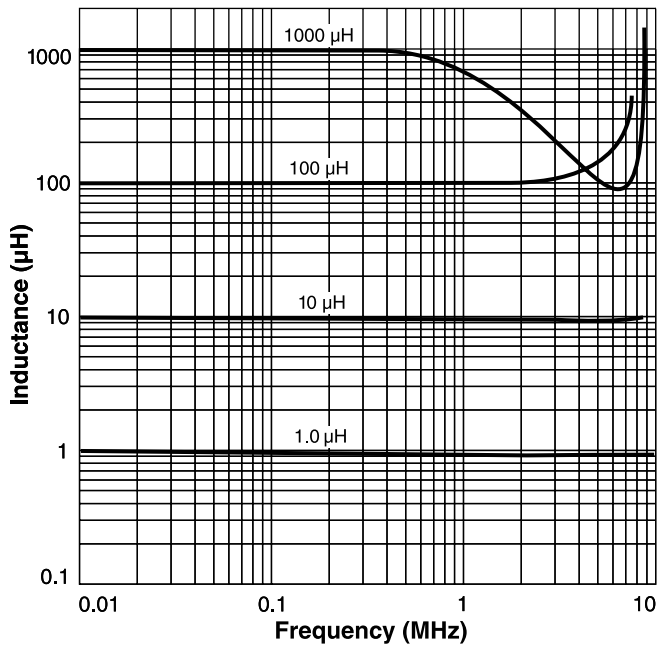
1102 Silver Lake Road Cary, Illinois 60013 Phone 847/639-6400 Fax 847/639-1469

E-mail info@coilcraft.com Web <http://www.coilcraft.com>

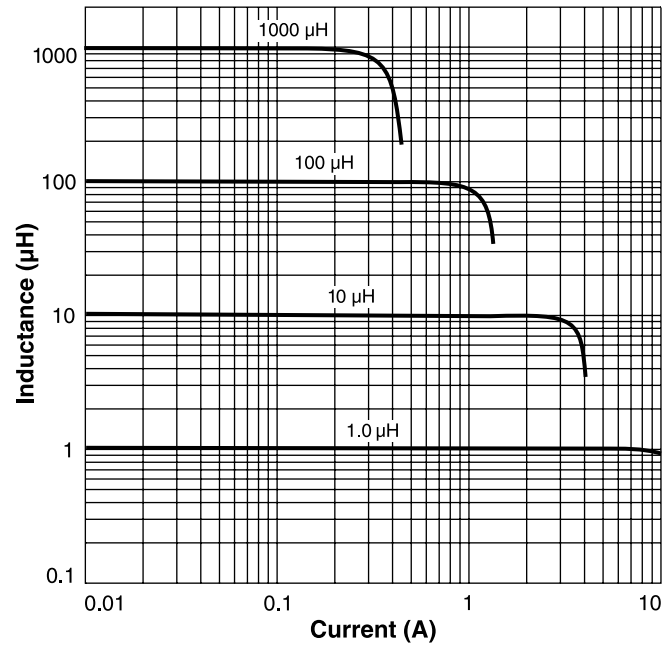
NEW!

SMT Power Inductors - DH3316 Series

Typical L vs Frequency



Typical L vs Current



Coilcraft[®]

Specifications subject to change without notice. Document 303-2 Revised 9/12/02

1102 Silver Lake Road Cary, Illinois 60013 Phone 847/639-6400 Fax 847/639-1469

E-mail info@coilcraft.com Web <http://www.coilcraft.com>